



US00D781468S

(12) **United States Design Patent**
Shum et al.

(10) **Patent No.:** **US D781,468 S**
(45) **Date of Patent:** **** Mar. 14, 2017**

(54) **LED LAMP**

(56) **References Cited**

(71) Applicant: **SORAA, INC.**, Fremont, CA (US)

U.S. PATENT DOCUMENTS

(72) Inventors: **Frank Shum**, Sunnyvale, CA (US);
Ronald Randall Van Thiel, Menlo Park, CA (US)

D688,392 S *	8/2013	Tsai	D26/2
D697,234 S *	1/2014	Wei	D26/2
D706,961 S *	6/2014	Nasrullah	D26/2
D716,975 S *	11/2014	Hasuo	D26/2

(73) Assignee: **Soraa, Inc.**, Fremont, CA (US)

* cited by examiner

(**) Term: **15 Years**

Primary Examiner — Marcus Jackson

(21) Appl. No.: **29/554,095**

(74) *Attorney, Agent, or Firm* — Saul Ewing LLP

(22) Filed: **Feb. 8, 2016**

(57) **CLAIM**

The ornamental design for LED lamp, as shown and described.

Related U.S. Application Data

DESCRIPTION

(62) Division of application No. 29/492,704, filed on Jun. 2, 2014, now Pat. No. Des. 752,777.

(51) **LOC (10) Cl.** **26-04**

(52) **U.S. Cl.**
USPC **D26/2**

(58) **Field of Classification Search**
USPC D26/1-4; 313/313, 315, 316, 317, 318,
313/493; 315/52, 53, 56, 57, 58
CPC ... F21V 5/00; F21K 9/13; F21K 9/135; F21K
9/1375; H01J 5/00; H01J 5/48; H01J
5/50; H01J 19/54

FIG. 1 is a perspective view of an LED lamp showing an embodiment of our new design;

FIG. 2 is a side elevational view from a front side thereof;

FIG. 3 is a side elevational view from a rear side thereof;

FIG. 4 is a side elevational view from a left side thereof;

FIG. 5 is a side elevational view from a right side thereof;

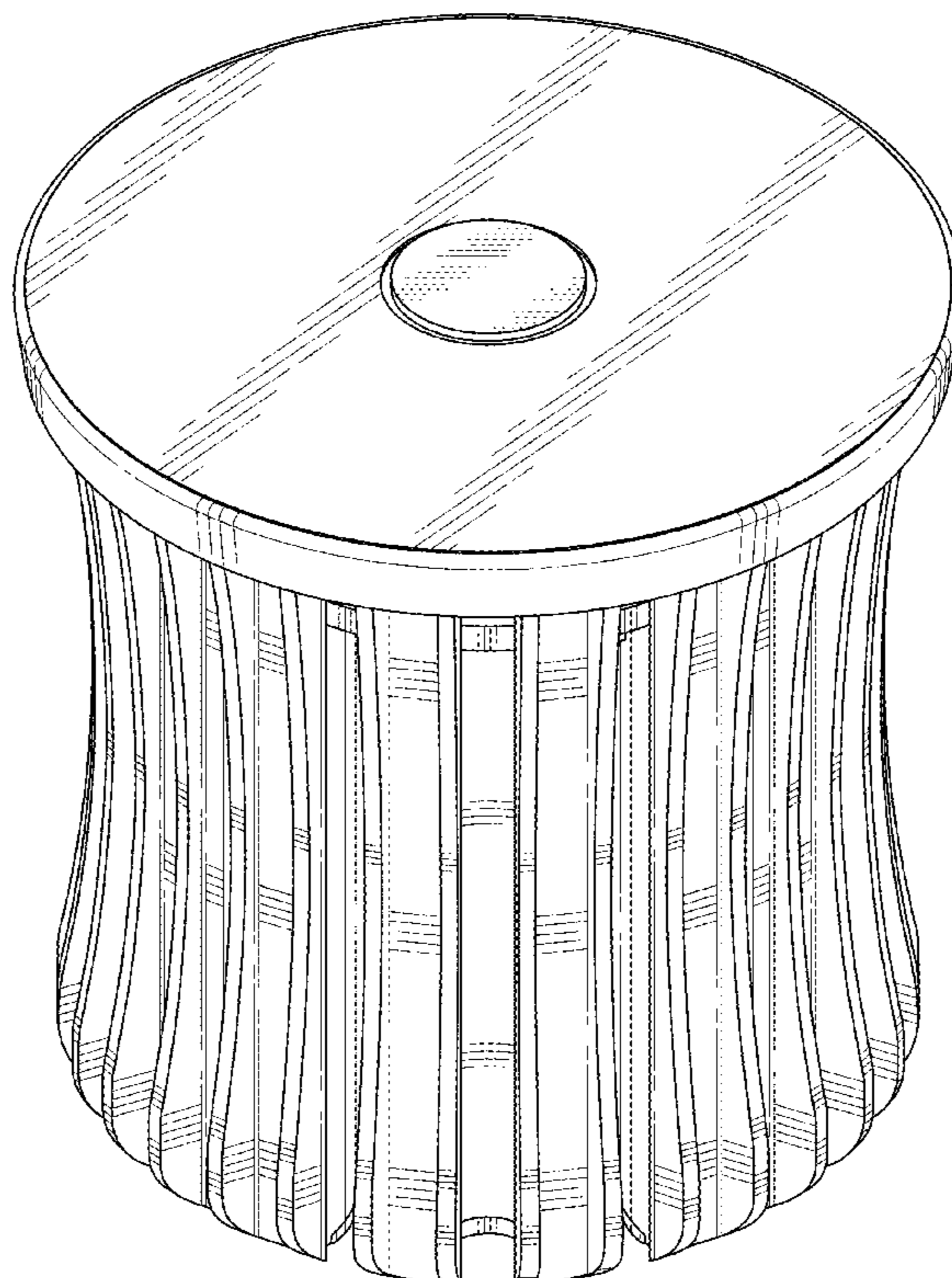
FIG. 6 is a top plan view thereof; and,

FIG. 7 is a bottom plan view thereof.

The broken lines in the figures represent unclaimed subject matter and form no part of the claimed design.

See application file for complete search history.

1 Claim, 7 Drawing Sheets



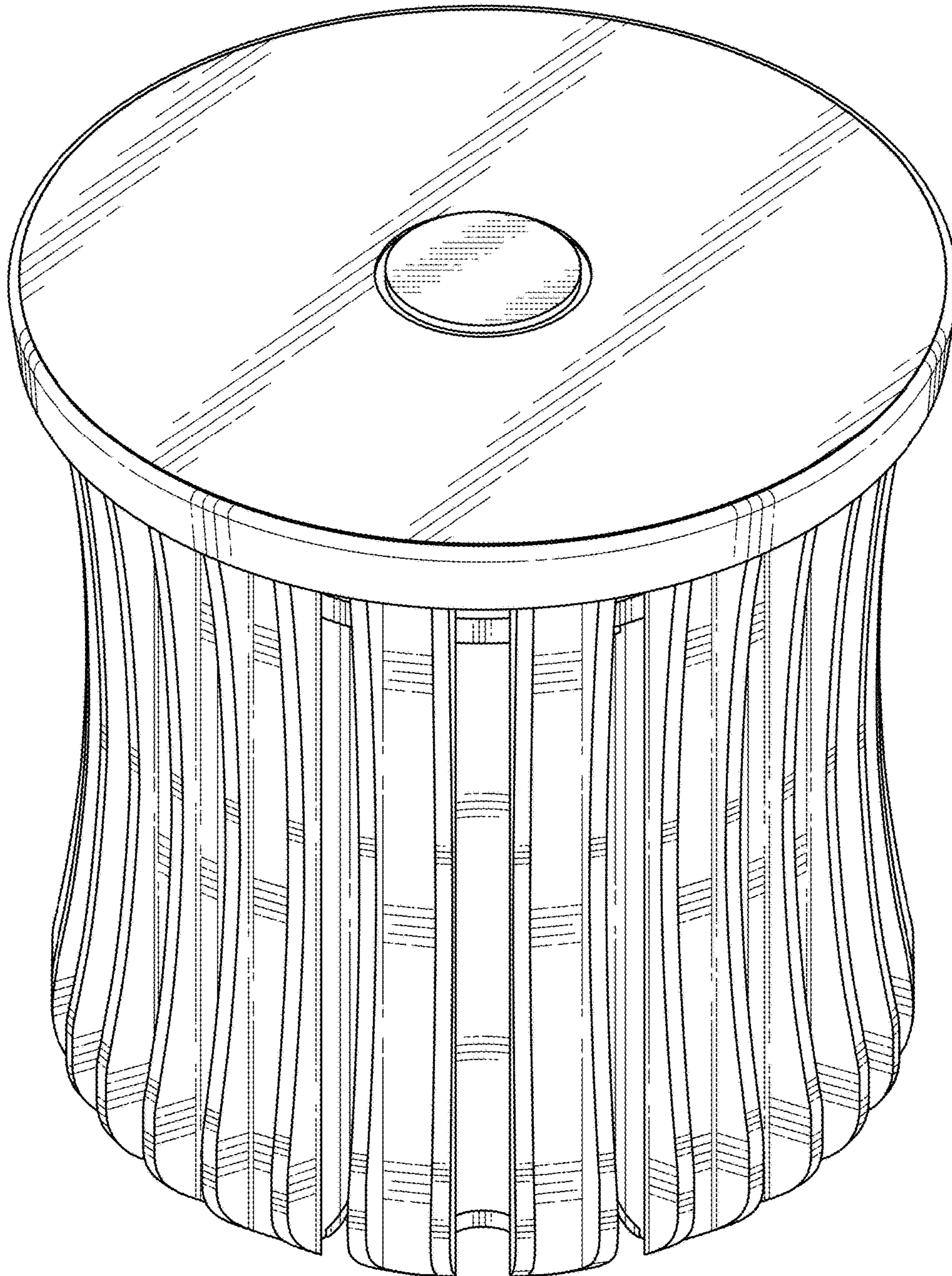


FIG. 1

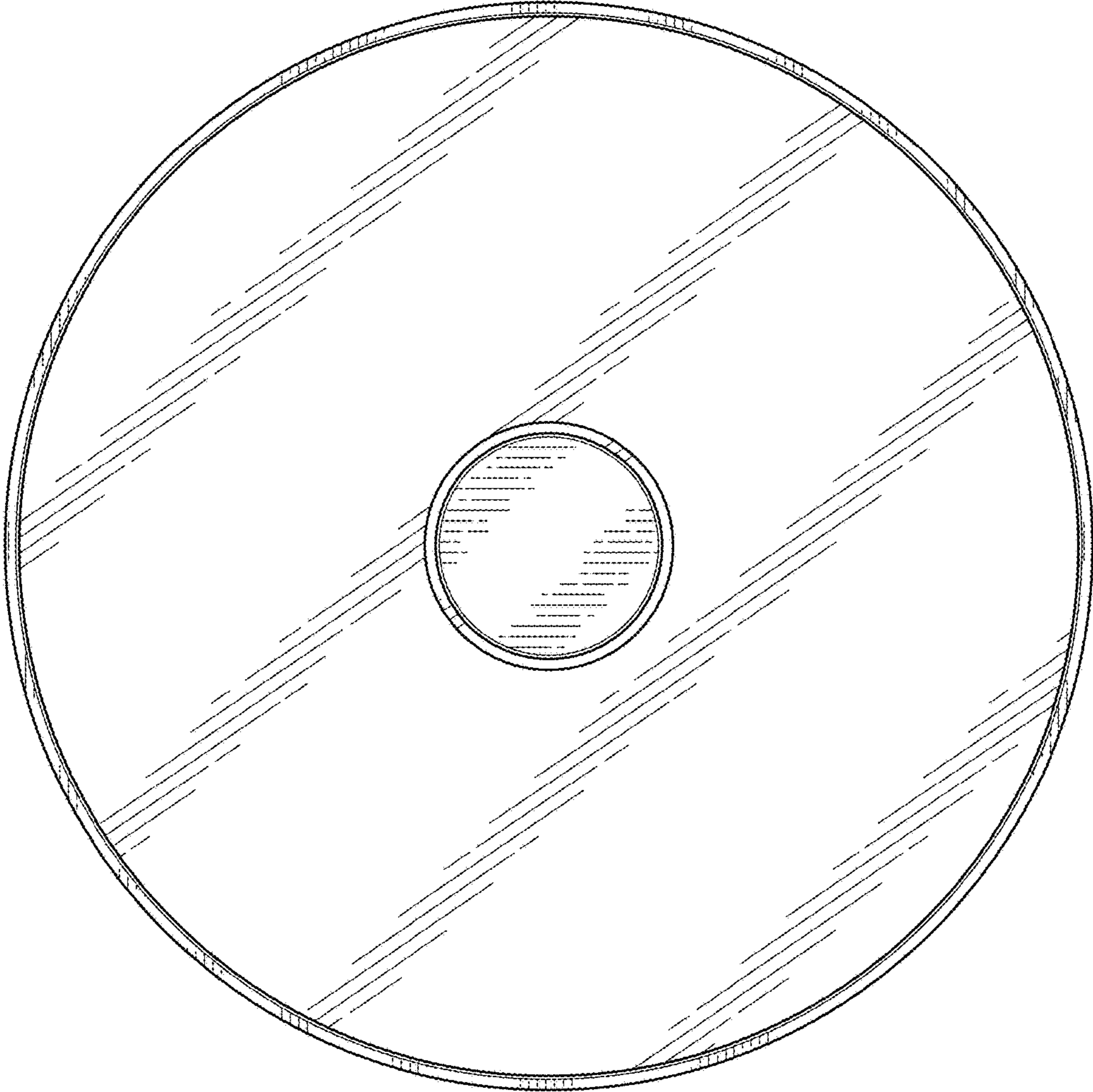


FIG. 2

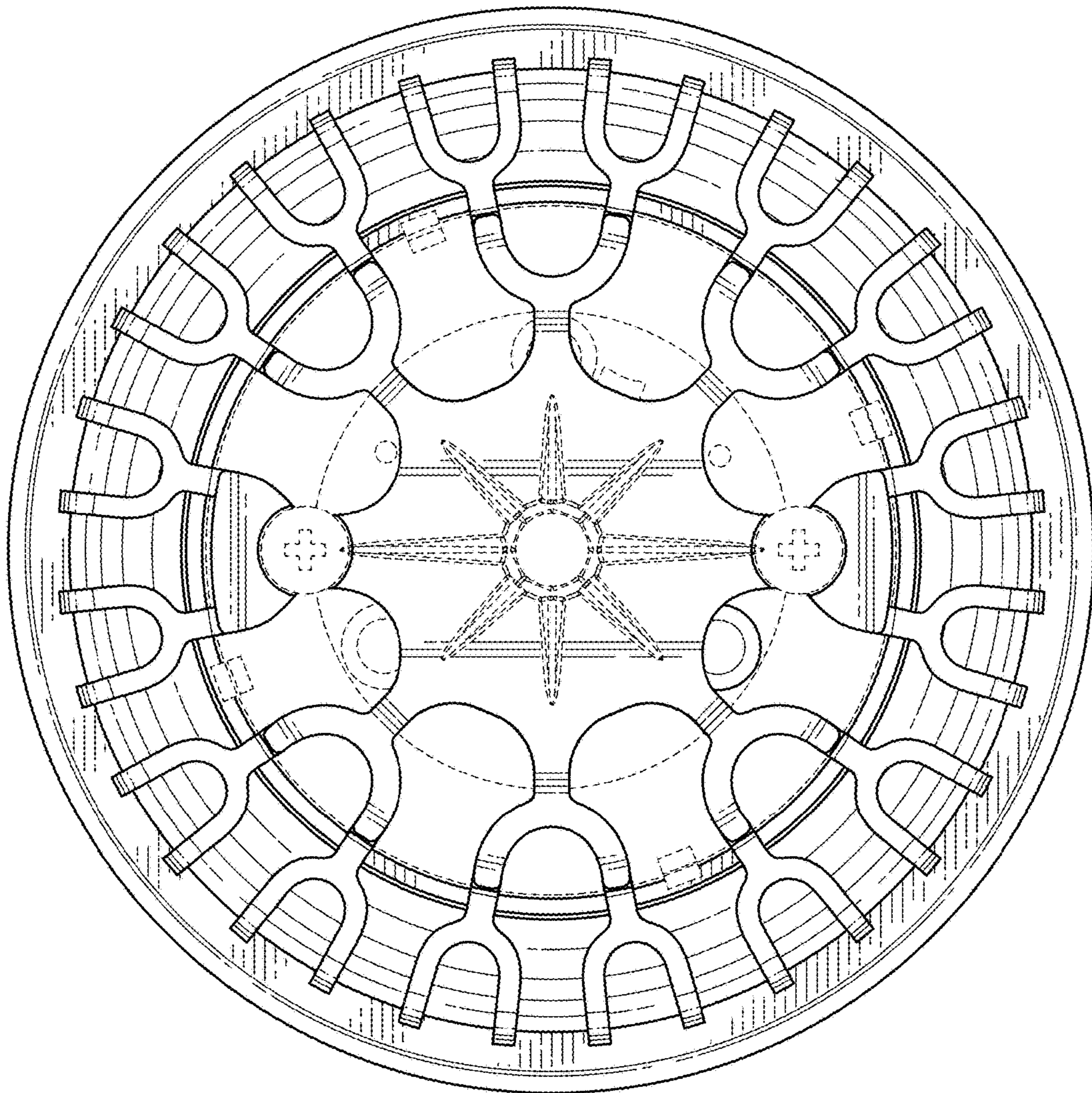


FIG. 3

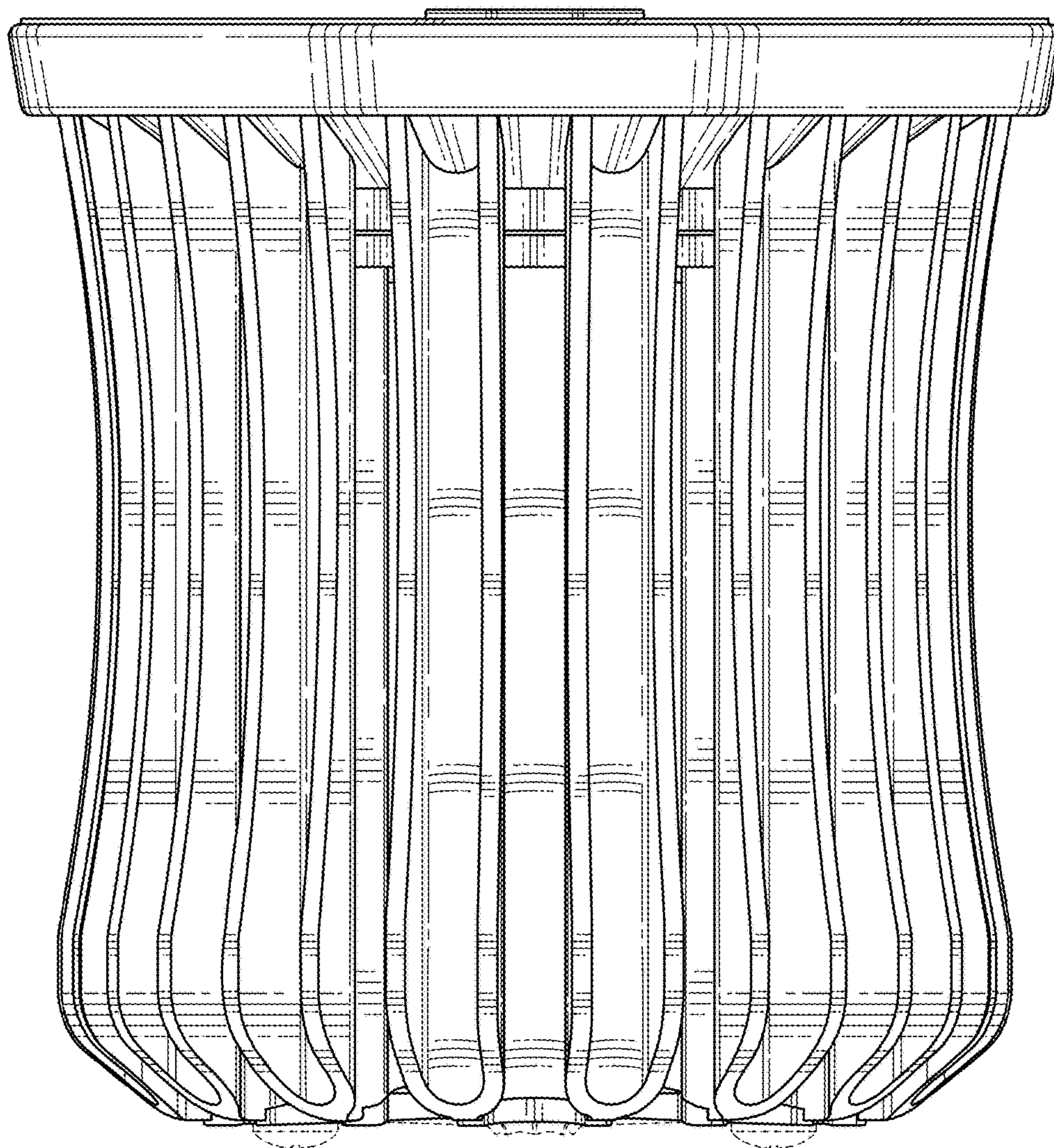


FIG. 4

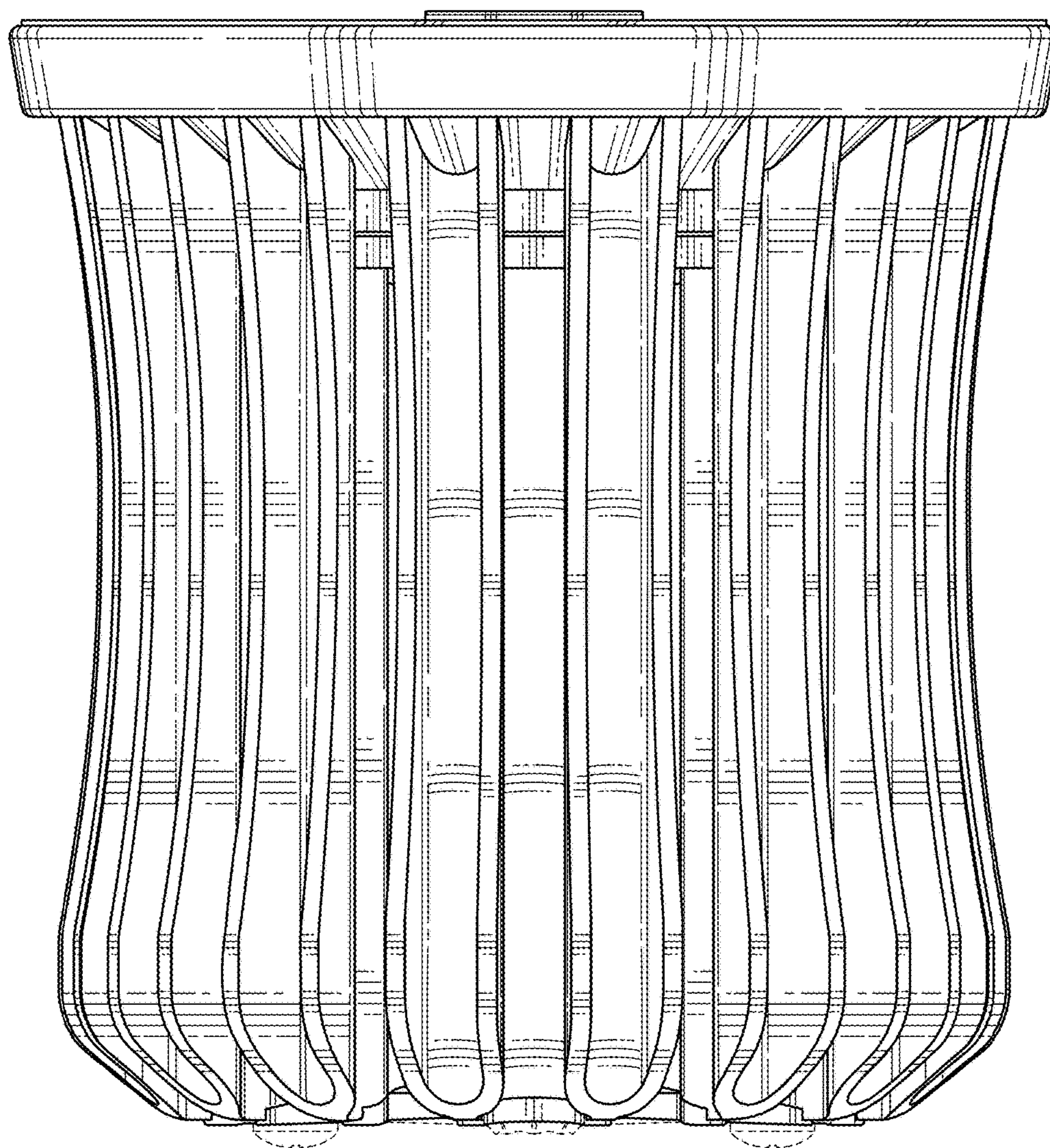


FIG. 5

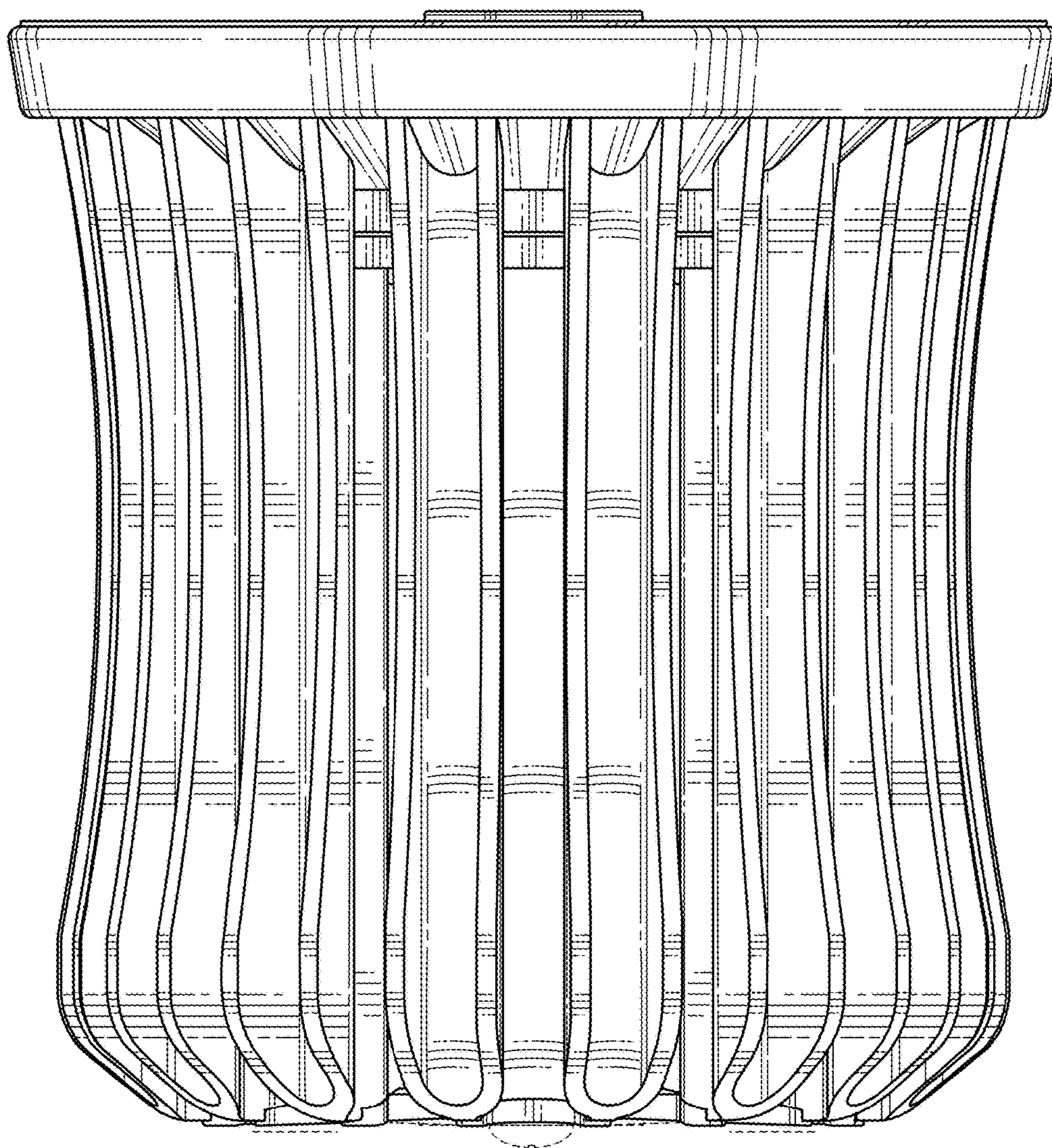


FIG. 6

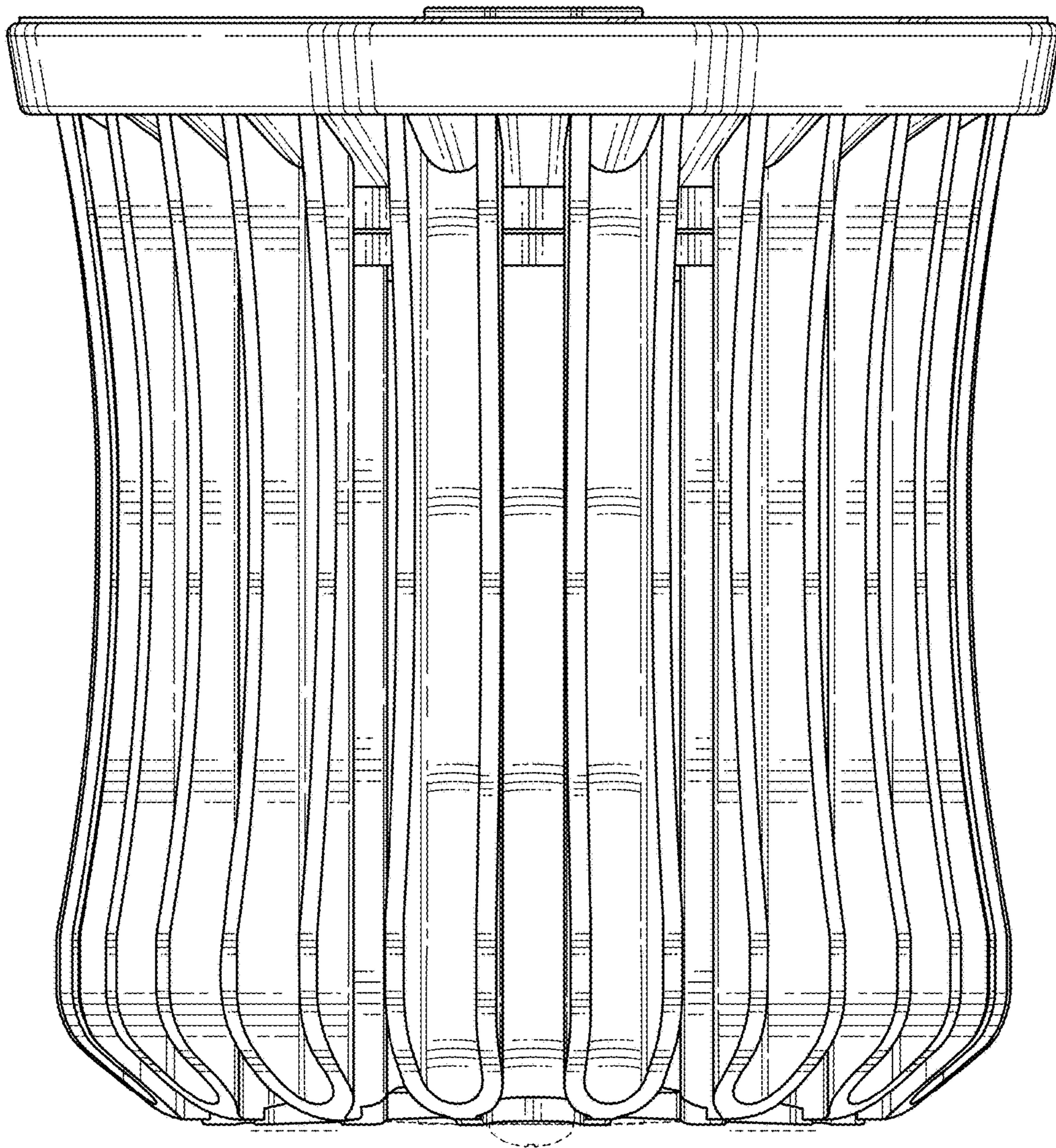


FIG. 7