



US00D781466S

(12) **United States Design Patent**
Winslow et al.

(10) **Patent No.:** **US D781,466 S**
(45) **Date of Patent:** **** Mar. 14, 2017**

(54) **JOINT SEAL**

(71) Applicant: **InPro Corporation**, Muskego, WI (US)

(72) Inventors: **John A. Winslow**, Snellville, GA (US);
G. Matthew Fisher, Wauwatosa, WI (US);
David R. Gebhardt, Shorewood, WI (US)

(73) Assignee: **InPro Corporation**, Muskego, WI (US)

(**) Term: **15 Years**

(21) Appl. No.: **29/536,587**

(22) Filed: **Aug. 18, 2015**

Related U.S. Application Data

(62) Division of application No. 29/462,600, filed on Aug. 6, 2013, now Pat. No. Des. 739,564.

(51) **LOC (10) Cl.** **25-01**

(52) **U.S. Cl.**
USPC **D25/164**

(58) **Field of Classification Search**
USPC D25/119–125, 141, 164; D23/262,
D23/268–269, 259–261, 386, 393
(Continued)

(56) **References Cited**

U.S. PATENT DOCUMENTS

3,358,568 A 12/1967 Brown
3,608,442 A 9/1971 Berchou et al.
(Continued)

OTHER PUBLICATIONS

U.S. Appl. No. 29/462,600, filed Aug. 6, 2013, Winslow et al.
(Continued)

Primary Examiner — Eric Goodman

Assistant Examiner — Amy Wierenga

(74) *Attorney, Agent, or Firm* — Reinhart Boerner Van Deuren s.c.

(57) **CLAIM**

We claim the ornamental design for a joint seal, as shown and described.

DESCRIPTION

FIG. 1 is a perspective view of a first embodiment of the claimed design;

FIG. 2 is a front view of the claimed design of FIG. 1, with the rear view being a mirror image thereof;

FIG. 3 is a right side view of the claimed design of FIG. 1, with the left side view being a mirror image thereof;

FIG. 4 is a top plan view of the claimed design of FIG. 1; FIG. 5 is a bottom plan view of the claimed design of FIG. 1;

FIG. 6 is a perspective view of a second embodiment of the claimed design;

FIG. 7 is a front view of the claimed design of FIG. 6, with the rear view being a mirror image thereof;

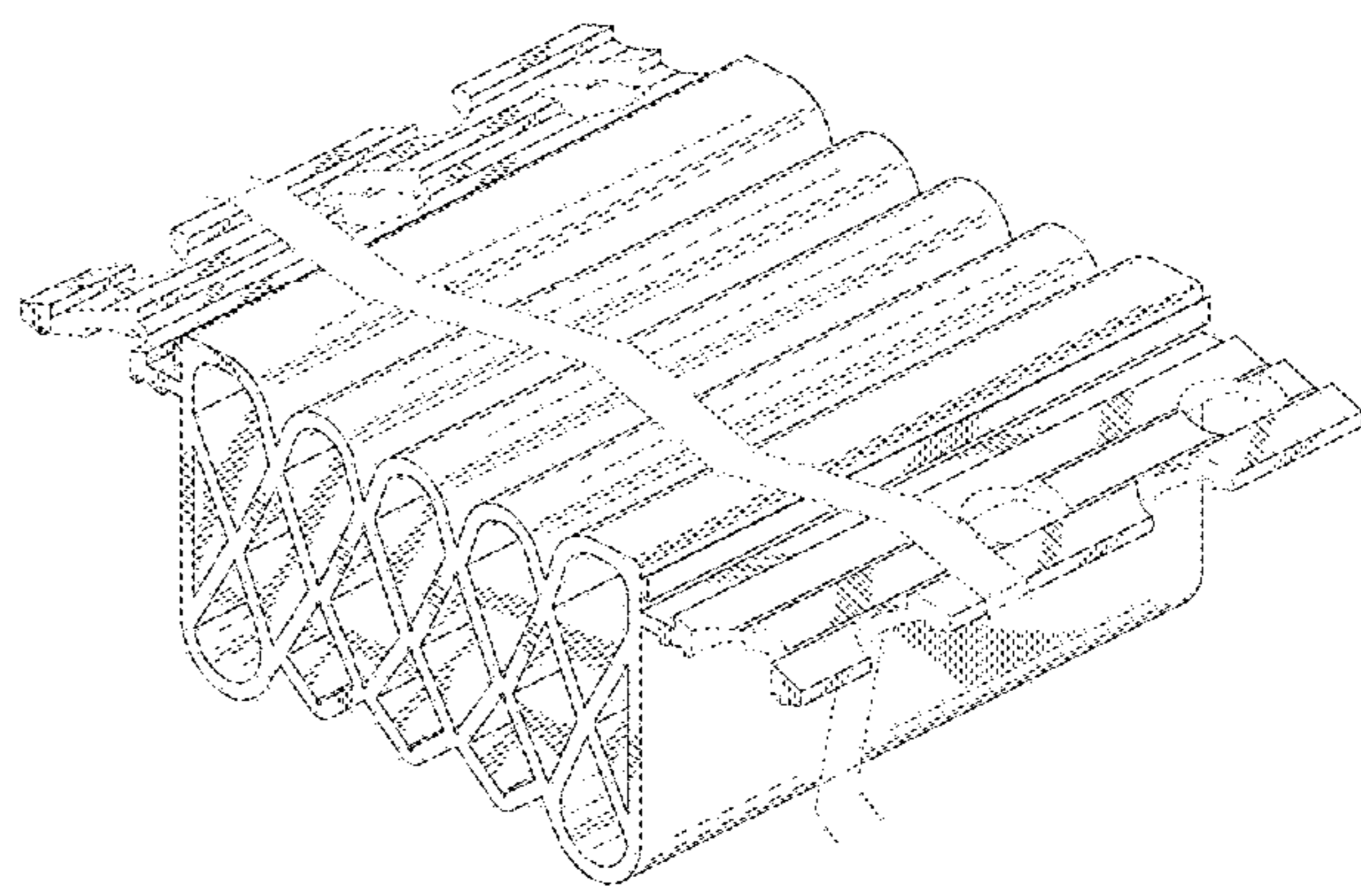
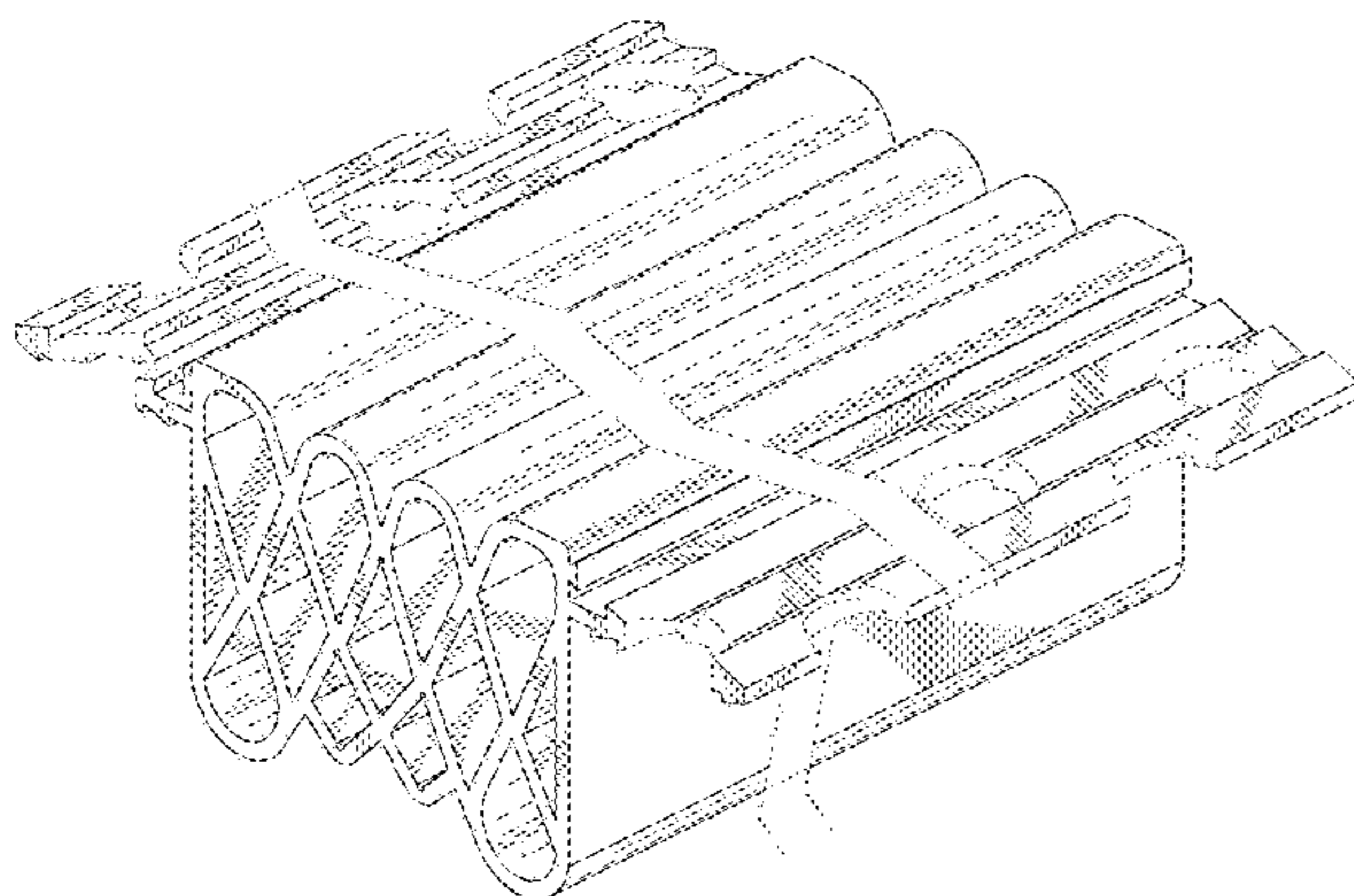
FIG. 8 is a right side view of the claimed design of FIG. 6, with the left side view being a mirror image thereof;

FIG. 9 is a top plan view of the claimed design of FIG. 6; and,

FIG. 10 is a bottom plan view of the claimed design of FIG. 6.

The ornamental design which is claimed is shown in solid lines in the drawings. The broken lines in the drawings depict portions of the joint seal and form no part of the claim. The joint seal is shown with a symbolic break in its length. The appearance of any portion of the article between the break lines forms no part of the claimed design.

1 Claim, 10 Drawing Sheets



(58) **Field of Classification Search**

CPC E04B 1/6801; E04B 1/6803; E04B 1/6804;
 E04B 1/6807; E04B 1/6813; E04B 1/681;
 F16J 15/022; F16J 15/061; F16J 15/444;
 F16J 15/0693; E01C 11/02; E01C 11/106;
 E01D 19/06; B60J 10/00

See application file for complete search history.

(56) **References Cited**

U.S. PATENT DOCUMENTS

3,682,053 A 8/1972 Kerschner
 3,765,784 A 10/1973 Watson et al.
 3,776,654 A * 12/1973 Brown E01D 19/06
 404/65
 3,918,824 A * 11/1975 Bowman E04B 1/6815
 404/64
 D247,185 S * 2/1978 Puccio D25/122
 D247,373 S * 2/1978 Puccio D25/122
 D247,374 S * 2/1978 Puccio D25/120
 4,098,043 A * 7/1978 McCready E01C 11/106
 277/645
 4,148,167 A 4/1979 Puccio
 D261,045 S * 9/1981 Bowman D25/122
 D261,046 S * 9/1981 Bowman D25/121
 D265,687 S * 8/1982 Bowman D25/122
 4,351,622 A * 9/1982 Kerschner E01C 11/106
 404/64
 4,362,428 A 12/1982 Kerschner
 4,708,517 A * 11/1987 Nicholas E01D 19/06
 404/64
 4,743,036 A * 5/1988 Nicholas E01D 19/06
 277/645
 4,799,345 A * 1/1989 Rizza E04B 1/6813
 404/65
 D328,784 S * 8/1992 Ragonesi D23/366

5,575,126 A * 11/1996 Attaway E04B 1/6804
 404/48
 D547,465 S 7/2007 Mann
 D628,719 S 12/2010 Wagner
 8,132,380 B2 3/2012 Wilkes, Jr.
 8,317,444 B1 11/2012 Hensley
 8,341,908 B1 1/2013 Hensley et al.
 8,365,495 B1 2/2013 Witherspoon
 8,739,495 B1 6/2014 Witherspoon
 8,813,449 B1 8/2014 Hensley et al.
 8,813,450 B1 8/2014 Hensley et al.
 D739,564 S * 9/2015 Winslow D25/164
 2007/0256380 A1 11/2007 Toffolo
 2008/0315531 A1 12/2008 Hrovath
 2010/0058696 A1 3/2010 Mills
 2015/0042047 A1 2/2015 Winslow et al.

OTHER PUBLICATIONS

InPro Corporation, AR Series Seal Expansion Joint Systems website at <https://www.inprocorp.com/Default.aspx?TabId=57&ProductID=145&SEName=ar-series-seal&&145>, showing an image of a compression seal believed to be available at least one year before Aug. 6, 2013, 3 pages.
 InPro Corporation, BR Series Seal Expansion Joint Systems website at <https://www.inprocorp.com/store/product/tabid/57/p-146-br-series-seal.aspx>, showing an image of a compression seal believed to be available at least one year before Aug. 6, 2013, 3 pages.
 D.S. Brown, Architectural Products Datasheet for Delpatch™ WAF Systems, available at <http://www.dsbrown.com/Resources/Architectural/DelpWAFdata.pdf>, dated Aug. 2012, 1 page.
 Doshin Rubber Products (M) SDS BHD, Doshin Compression Seal Joints showing the installation for the V series seal joint, available at <http://www.doshinrubber.com/catalog/images/Doshin-Compression-Seal-Joint.pdf>, believed to be available at least one year before Aug. 6, 2013, 2 pages.

* cited by examiner

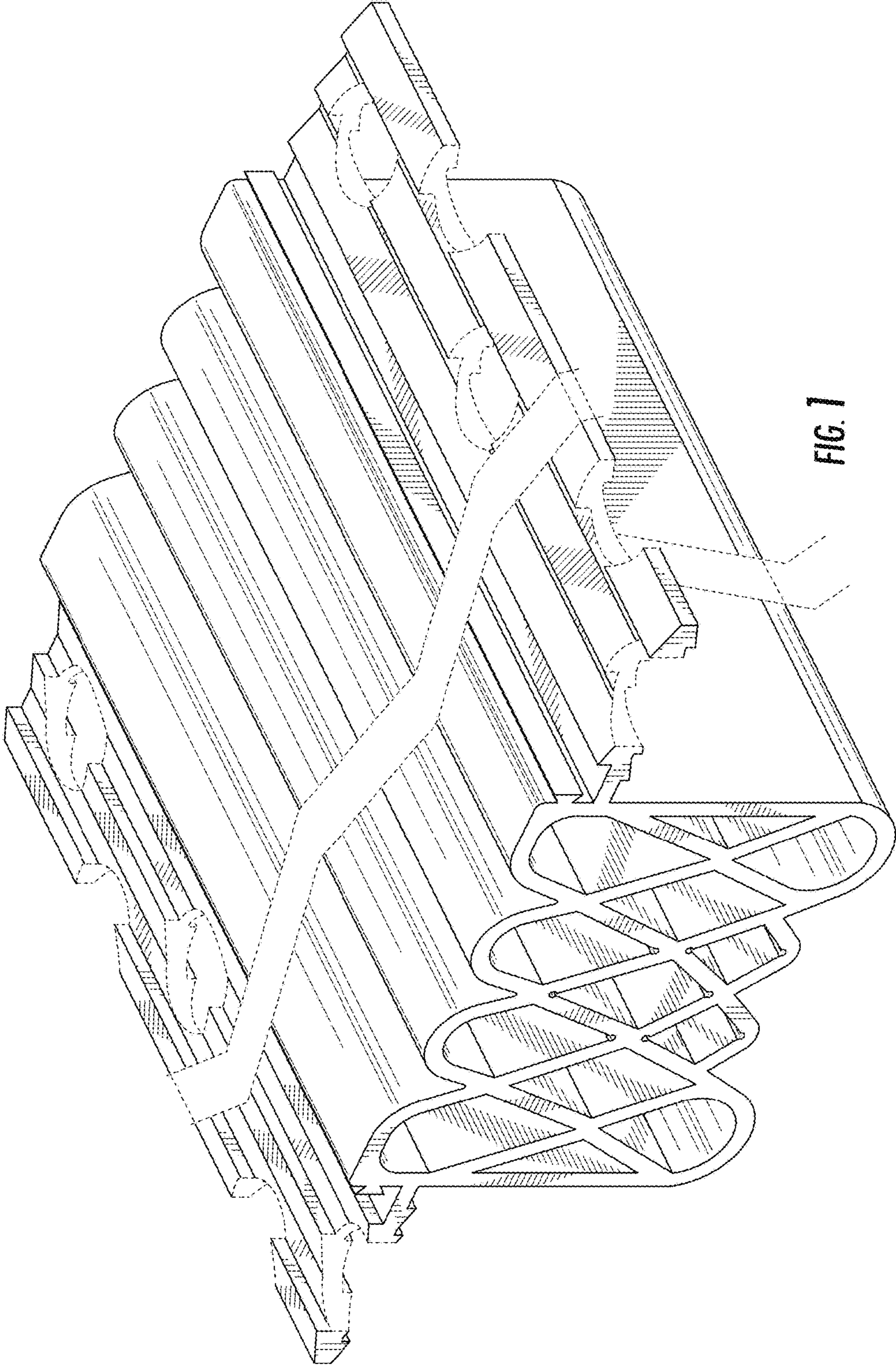


FIG. 1

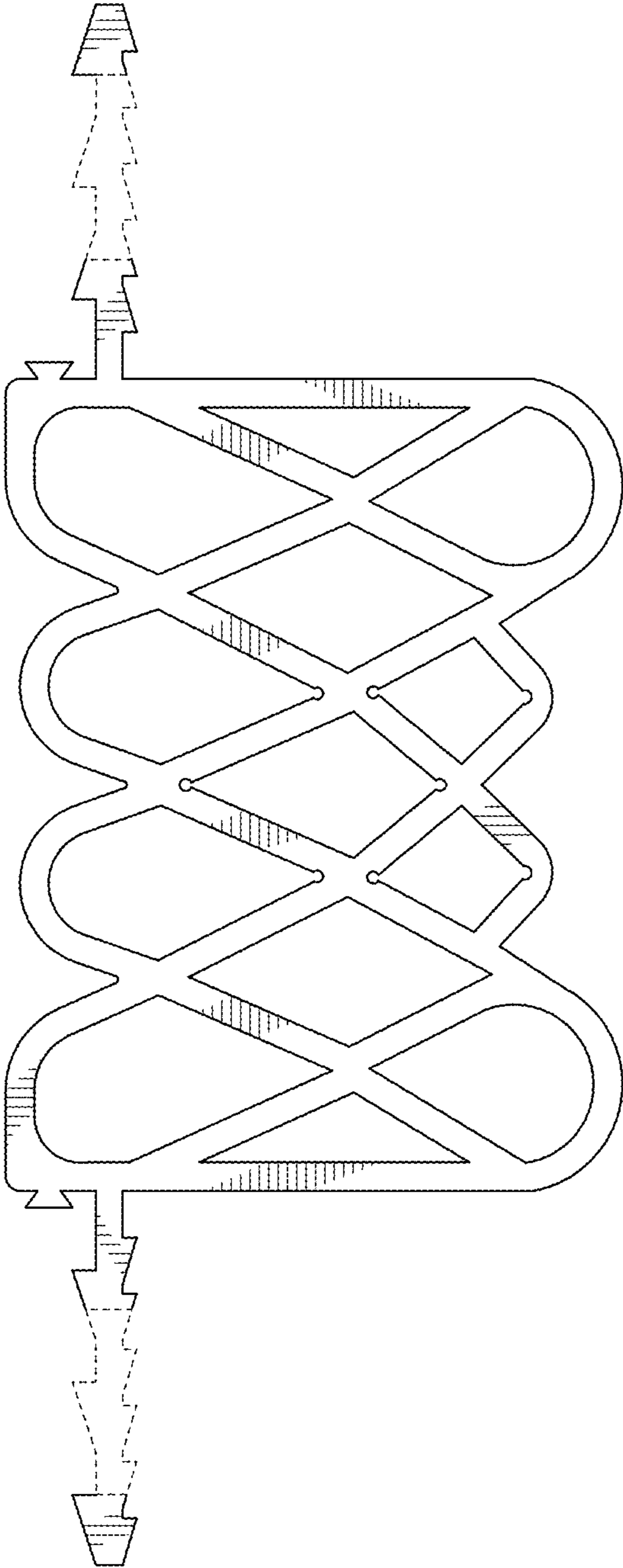


FIG. 2

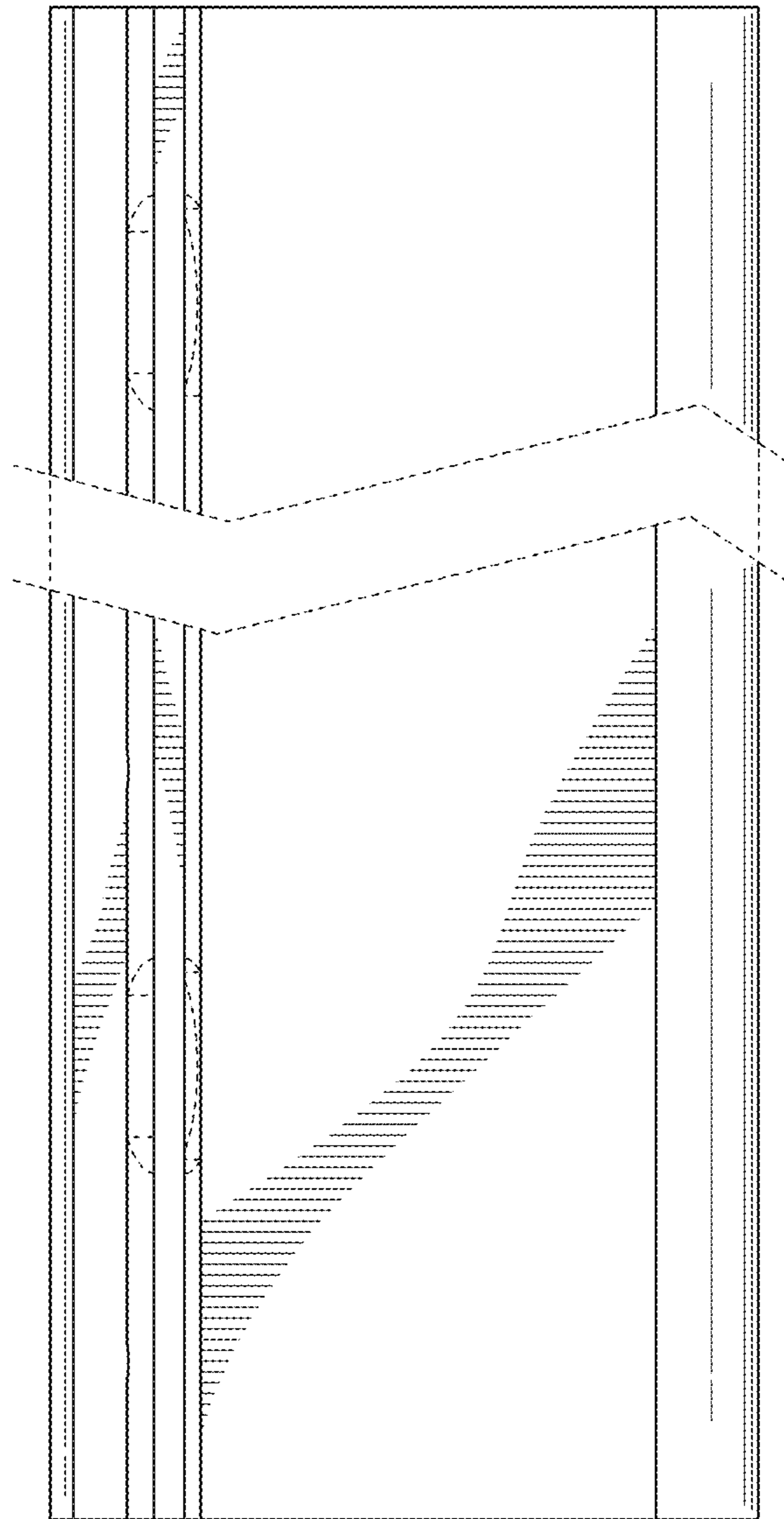
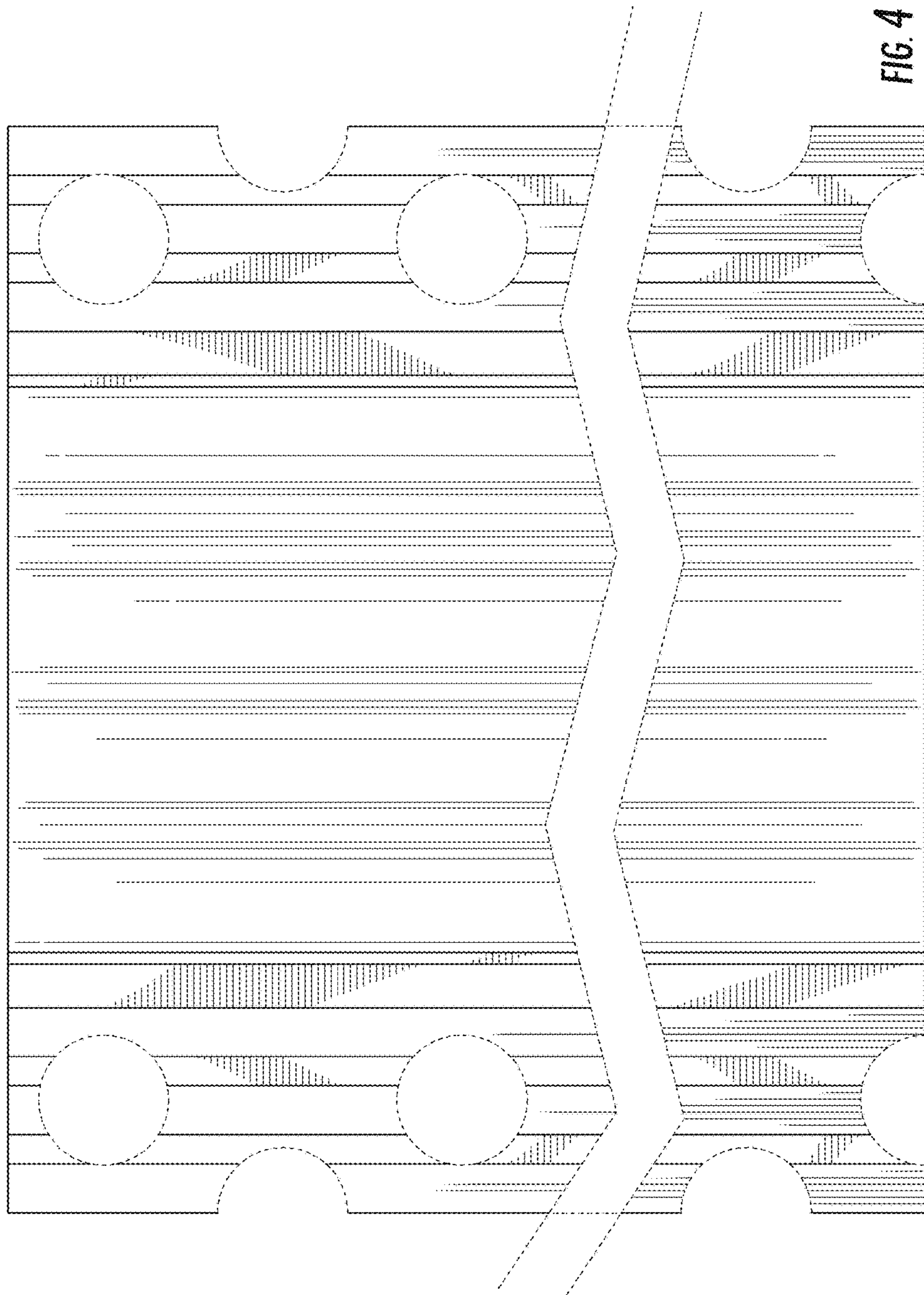
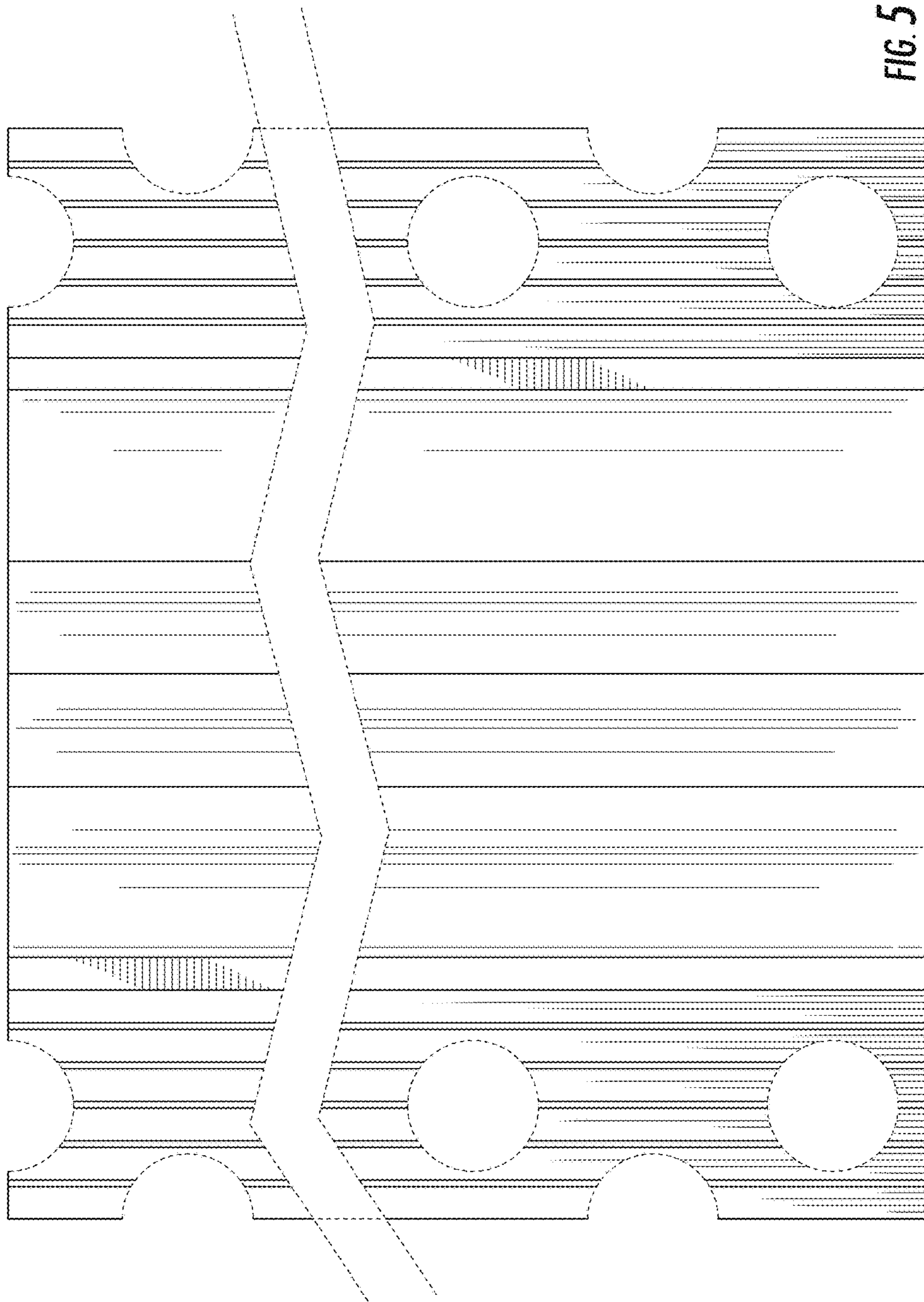


FIG. 3





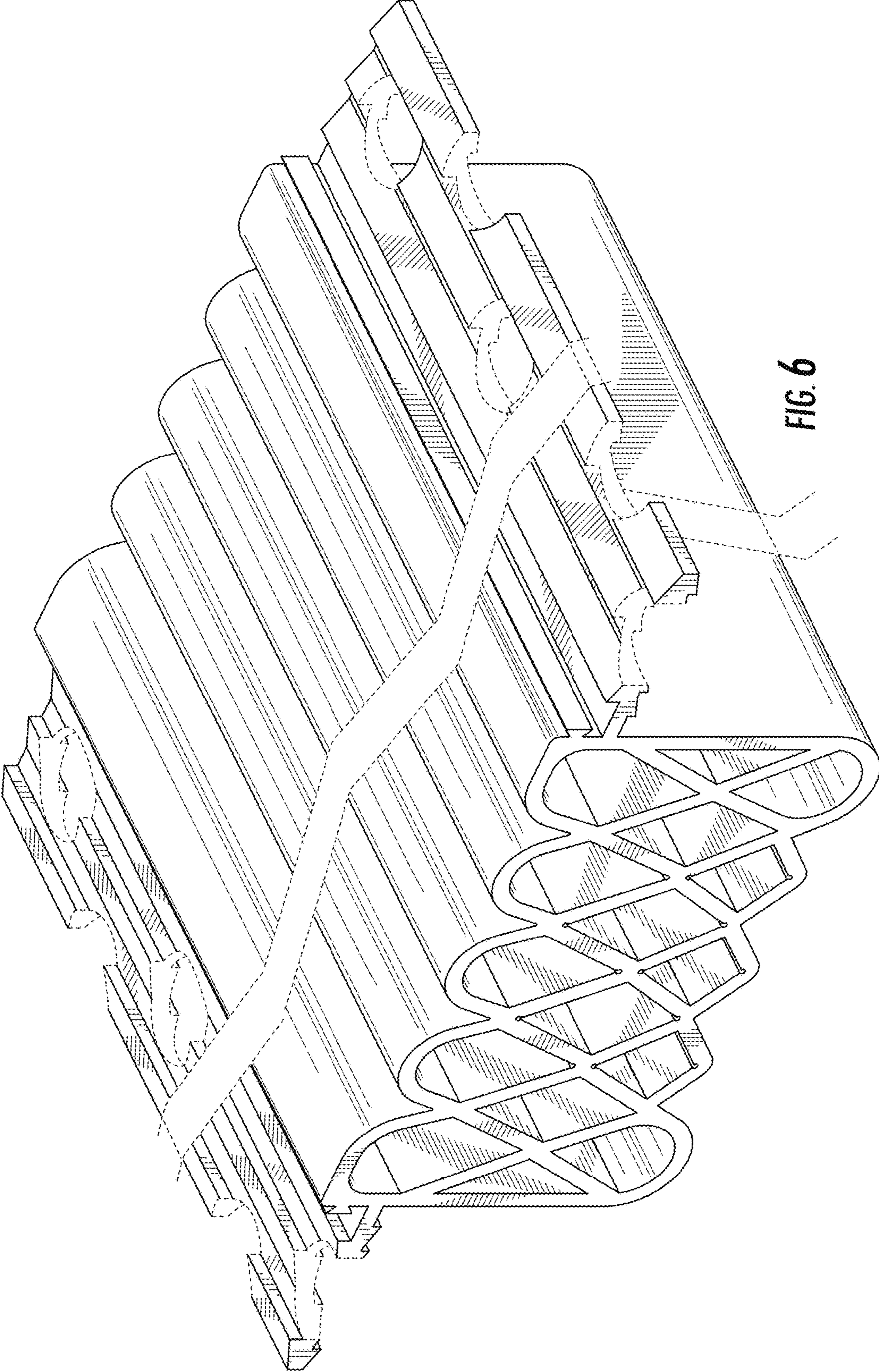


FIG. 6

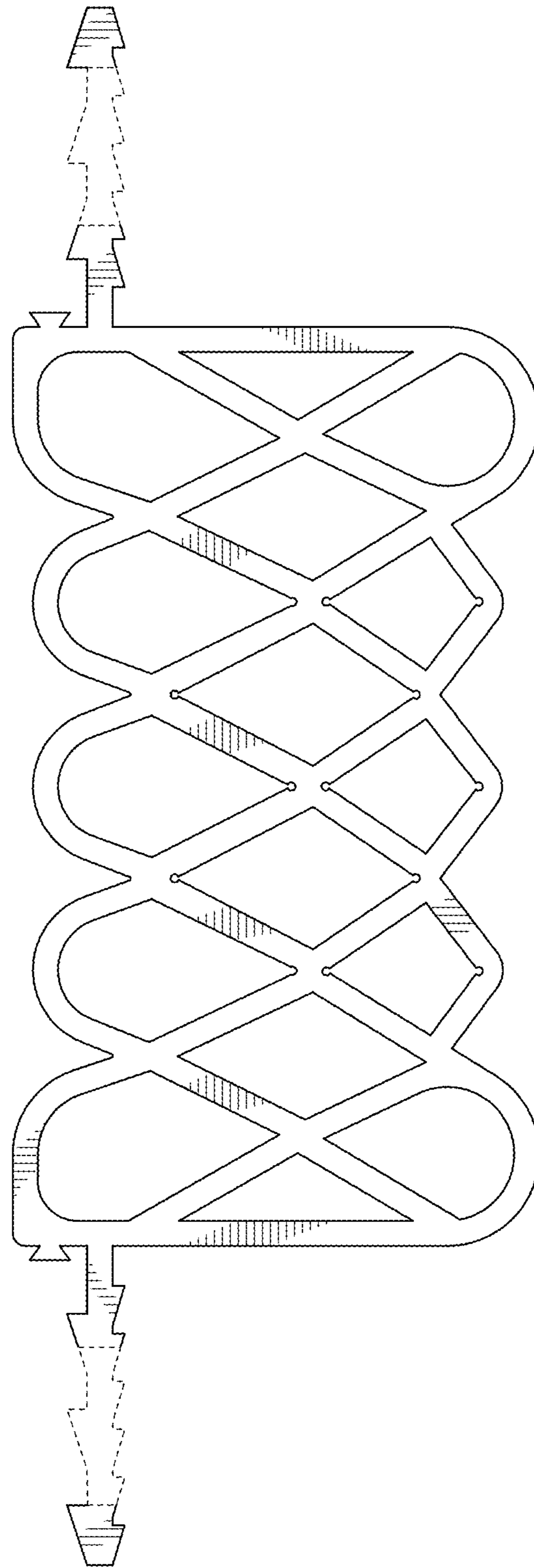


FIG. 7

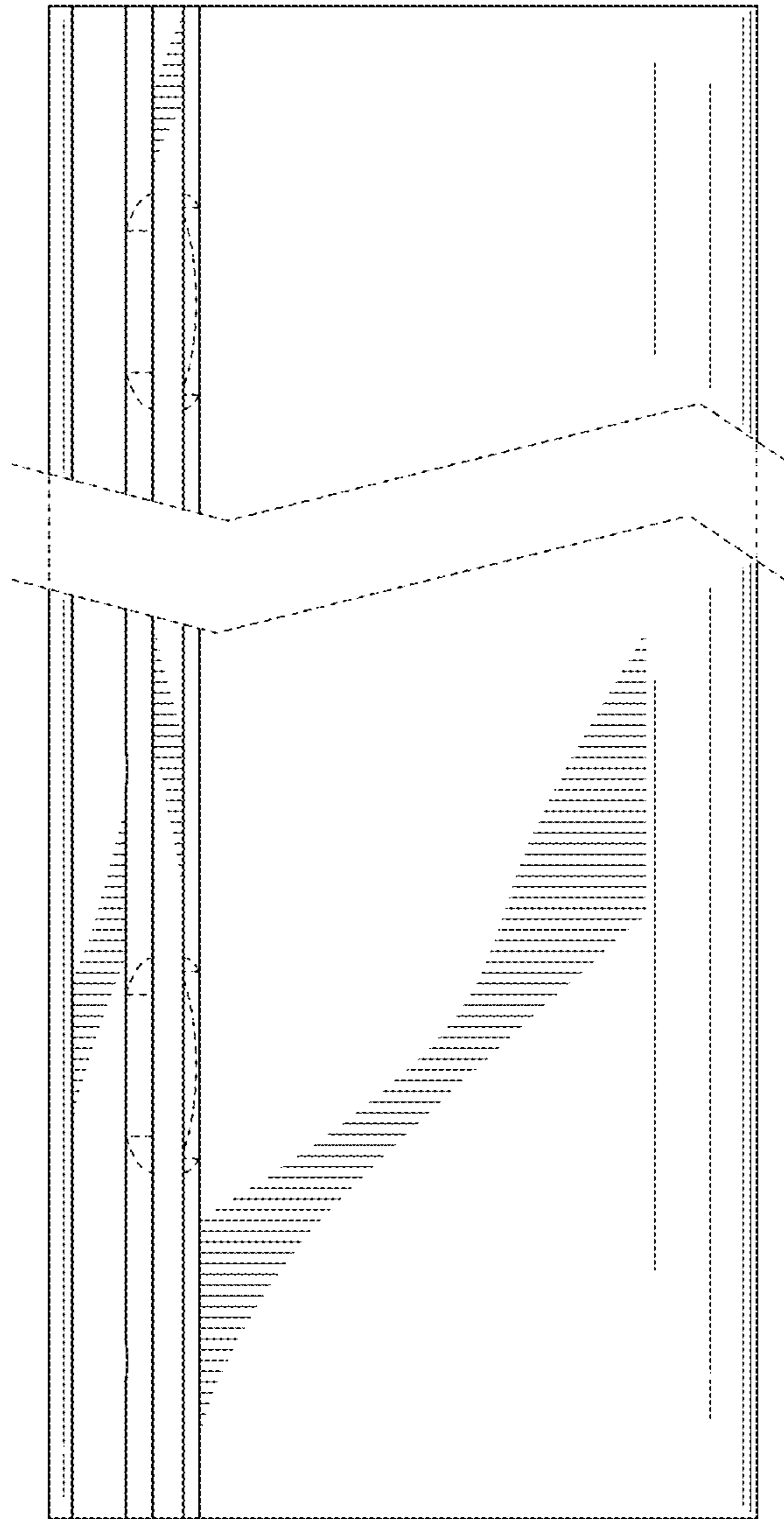


FIG. 8

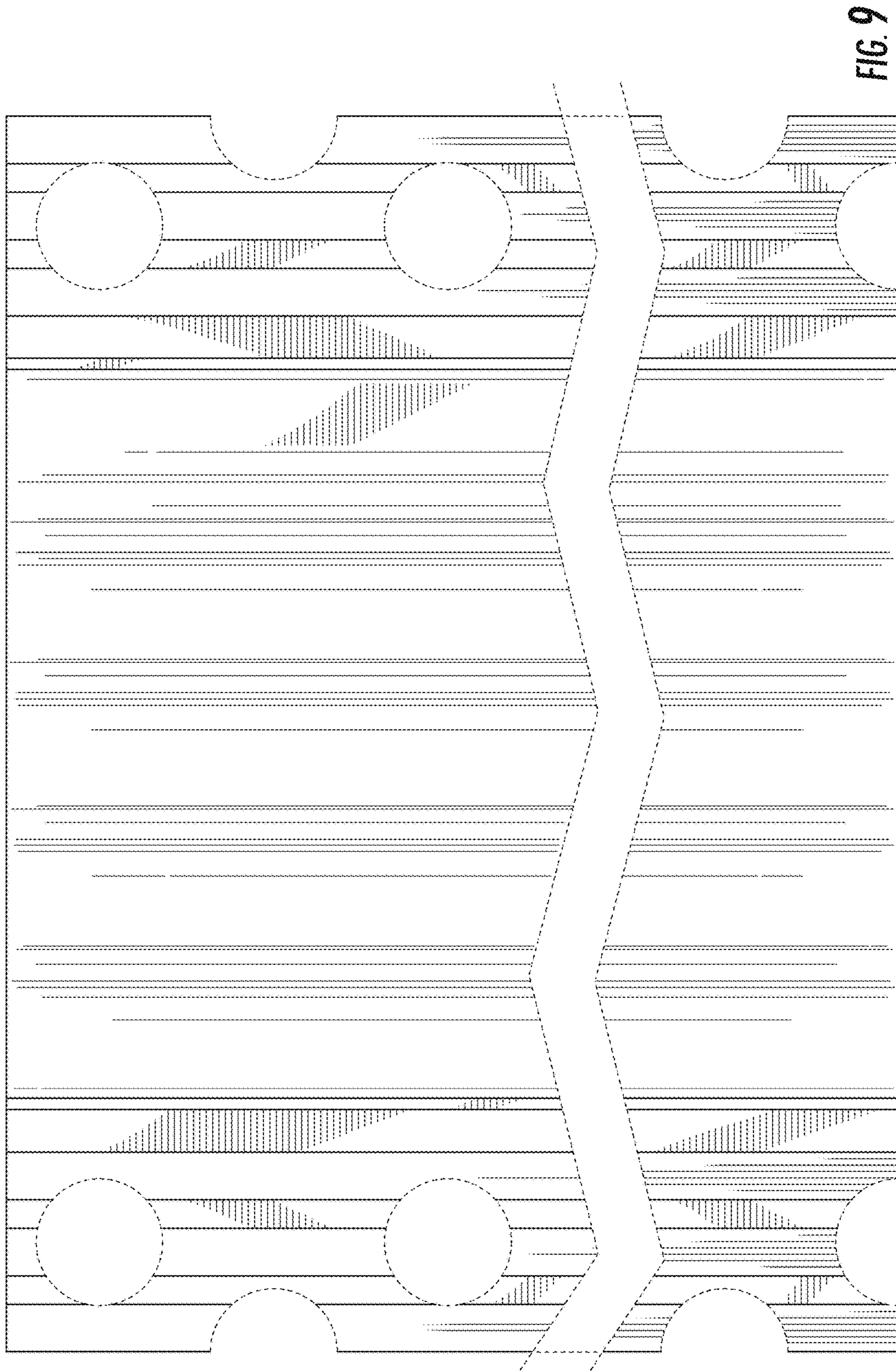


FIG. 9

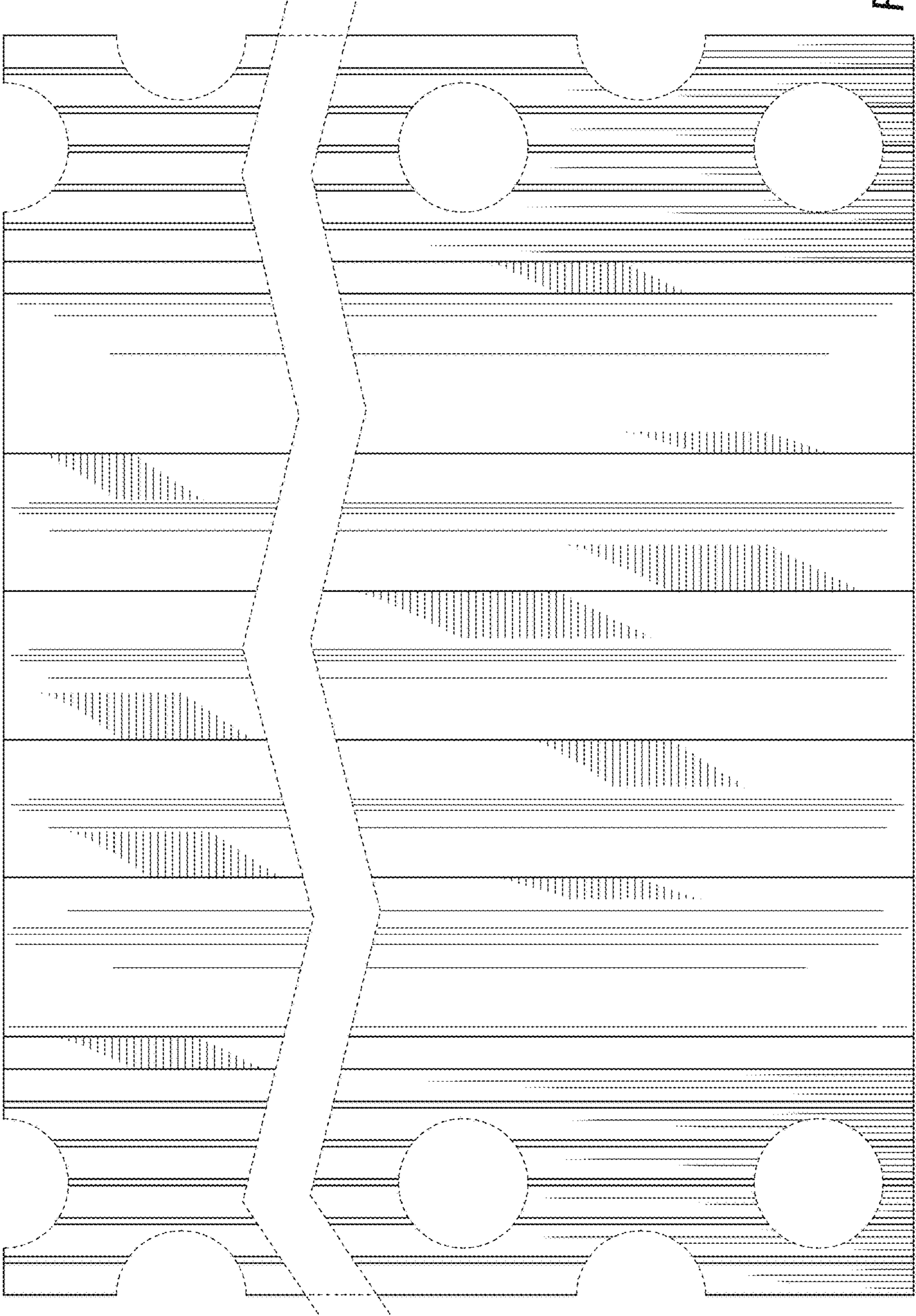


FIG. 10