



US00D781463S

(12) **United States Design Patent**
Otto

(10) **Patent No.:** **US D781,463 S**

(45) **Date of Patent:** **** Mar. 14, 2017**

(54) **BEADING**

(71) Applicant: **Johannes Albertus Otto**, Vredenburg
(ZA)

(72) Inventor: **Johannes Albertus Otto**, Vredenburg
(ZA)

(**) Term: **14 Years**

(21) Appl. No.: **29/522,893**

(22) Filed: **Apr. 3, 2015**

(30) **Foreign Application Priority Data**

Dec. 10, 2014 (ZA) F2014/01880

(51) **LOC (10) Cl.** **25-01**

(52) **U.S. Cl.**
USPC **D25/136**

(58) **Field of Classification Search**
USPC D5/1, 2, 3, 60, 99; D6/332; D25/55, 58,
D25/60, 113, 114, 115, 119, 121-125,
D25/136, 138, 139, 140-144, 153, 156,
D25/157, 159, 163, 164, 199; D23/389;
D20/42, 44
CPC A01G 1/08; A01G 9/222; E01C 11/221;
E01C 11/08; E01C 11/04; E01C 11/222;
E01C 11/22; E02D 5/803; E02D 5/805;
E04H 12/182; H01C 1/103; E04C 3/06
See application file for complete search history.

(56) **References Cited**

U.S. PATENT DOCUMENTS

D275,036 S *	8/1984	Lloyd-Jones	D25/119
D330,772 S *	11/1992	Nelson	D25/119
5,240,343 A *	8/1993	Strobl, Jr.	E01C 11/221 404/7
5,772,357 A *	6/1998	Evans	E01F 13/105 256/13.1
5,857,288 A *	1/1999	Wiste	A01G 1/08 47/33
6,030,144 A *	2/2000	Cannella	A01G 1/08 404/7
D597,742 S *	8/2009	Skinner	D25/119

* cited by examiner

Primary Examiner — Eric Goodman

Assistant Examiner — Amy Wierenga

(74) *Attorney, Agent, or Firm* — Frank A. Mazzeo; Ryder,
Lu, Mazzeo & Konieczny LLC

(57) **CLAIM**

The ornamental design for a beading, as shown and described.

DESCRIPTION

FIG. 1 is a perspective view of the beading.
FIG. 2 is a front view of the beading of FIG. 1;
FIG. 3 is a rear view of the beading of FIG. 1;
FIG. 4 is a left-side profile view of the beading of FIG. 1;
FIG. 5 is a top view of the beading of FIG. 1; and,
FIG. 6 is a bottom view of the beading of FIG. 1.

1 Claim, 2 Drawing Sheets

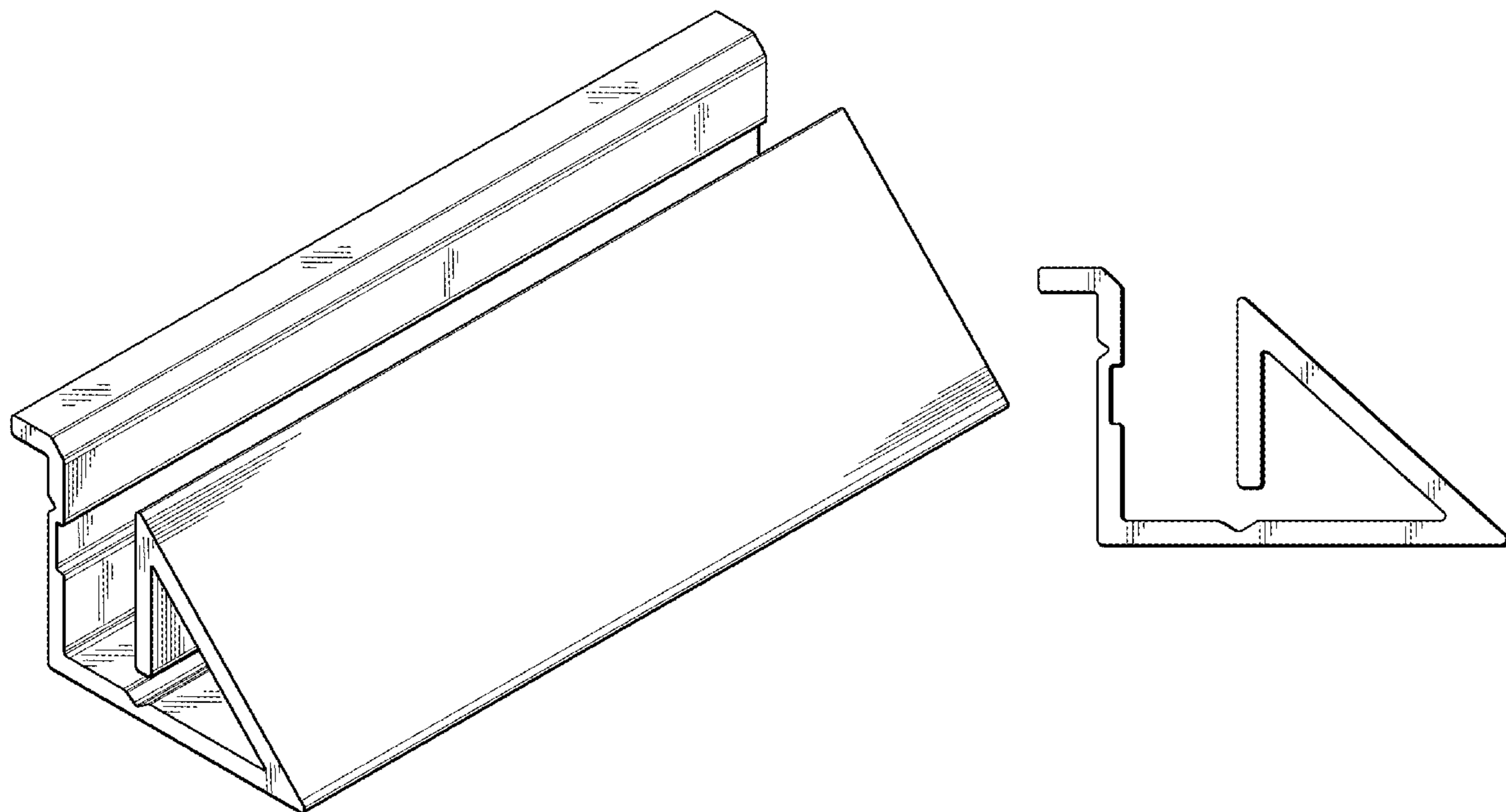


FIG.1

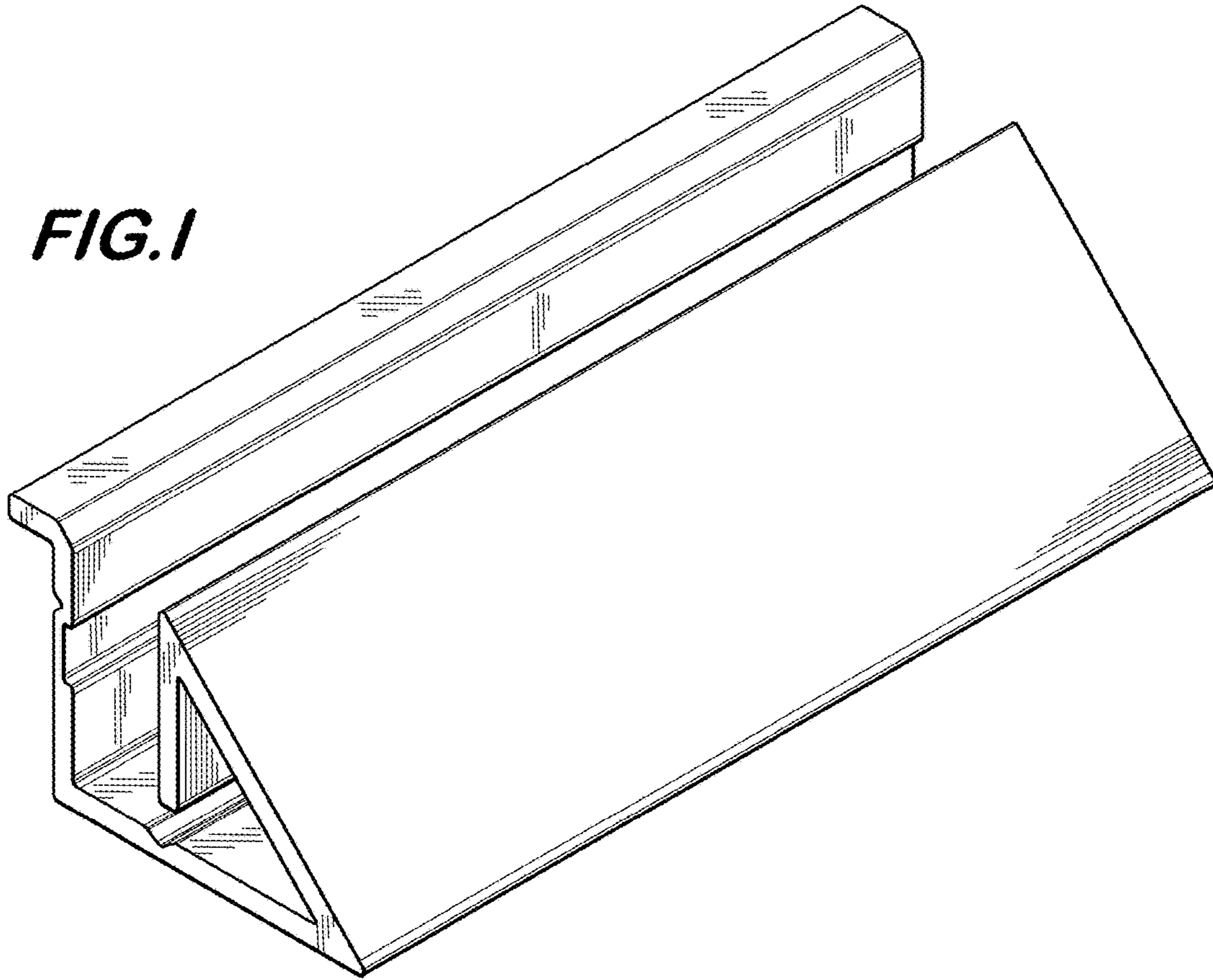


FIG.2

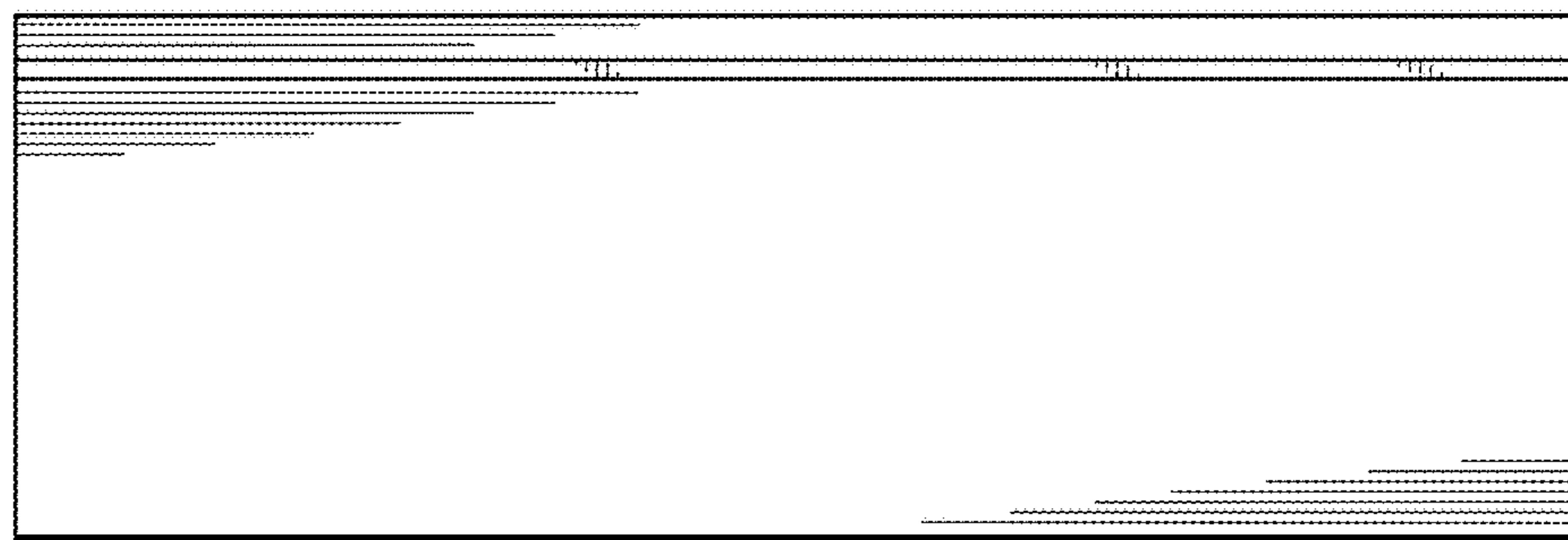


FIG. 3

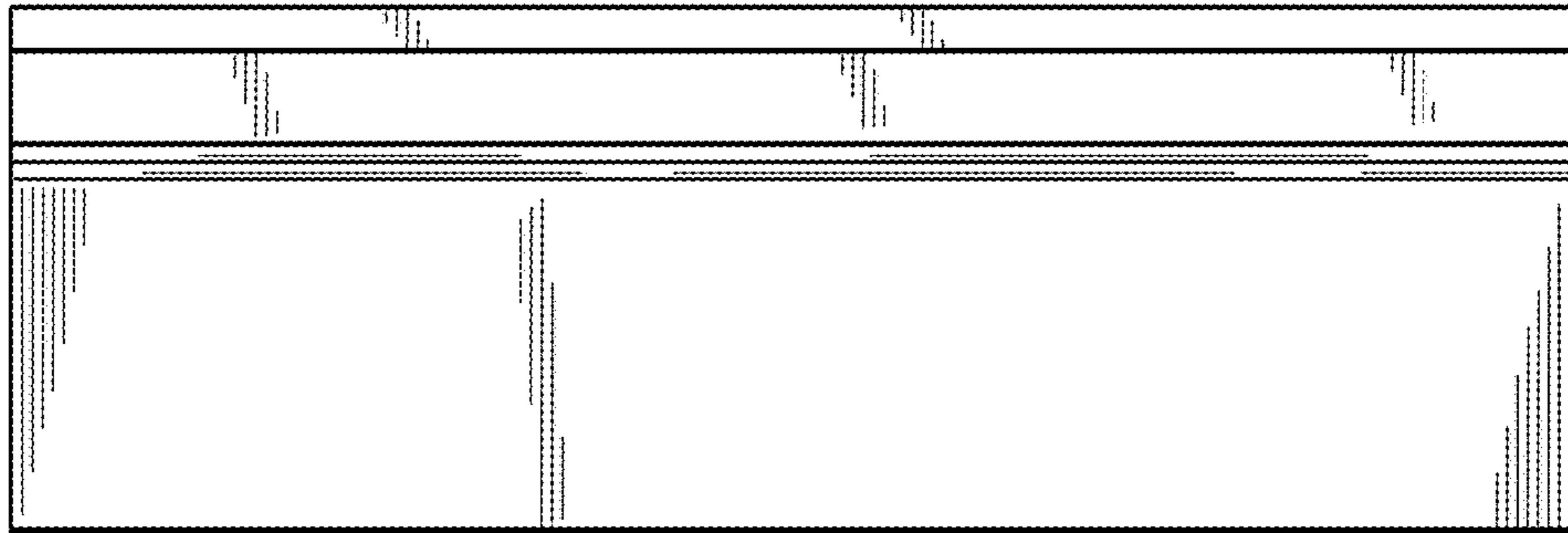


FIG. 4

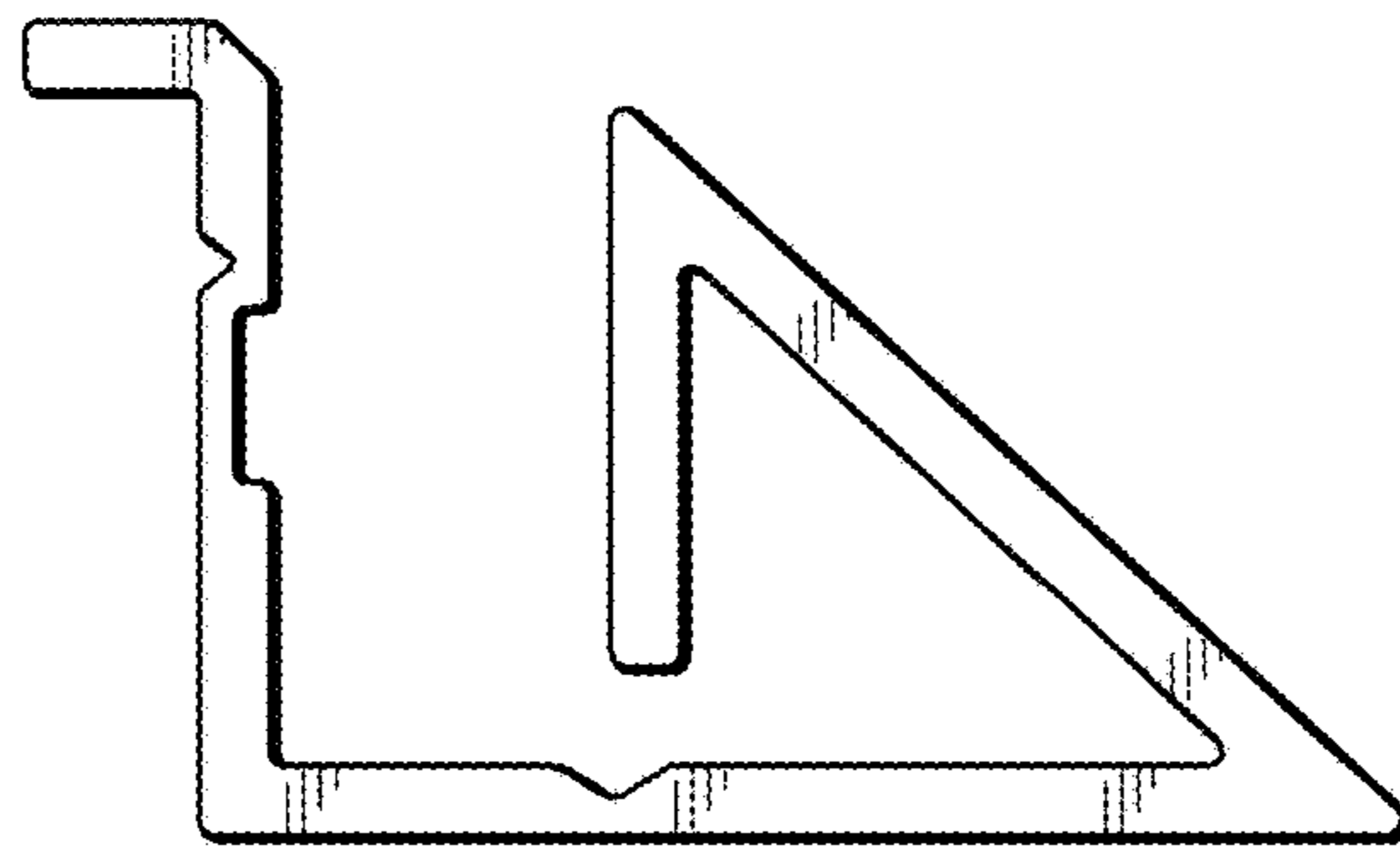


FIG. 5

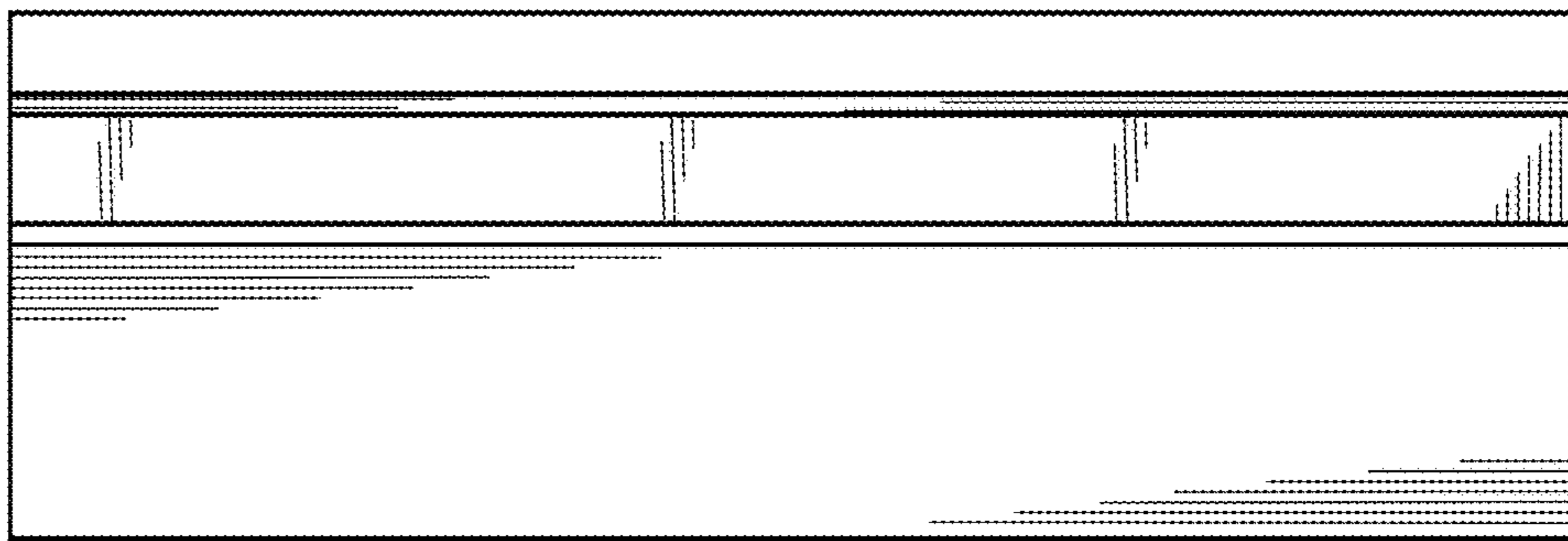


FIG. 6

