



US00D781462S

(12) **United States Design Patent**
Otto

(10) **Patent No.:** **US D781,462 S**
(45) **Date of Patent:** **** Mar. 14, 2017**

- (54) **BEADING**
- (71) Applicant: **Johannes Albertus Otto, Vredenburg (ZA)**
- (72) Inventor: **Johannes Albertus Otto, Vredenburg (ZA)**
- (**) Term: **14 Years**
- (21) Appl. No.: **29/522,890**
- (22) Filed: **Apr. 3, 2015**
- (30) **Foreign Application Priority Data**

Dec. 10, 2014 (ZA) F2014/01879

(51) **LOC (10) Cl.** **25-01**

(52) **U.S. Cl.**
USPC **D25/136**

(58) **Field of Classification Search**
USPC D5/1, 2, 3, 60, 99; D6/332; D25/55, 58, D25/60, 113, 114, 115, 119, 121-125, D25/136, 138, 139, 140-144, 153, 156, D25/157, 159, 163, 164, 199, 48.2, 48.3, D25/48.7, 131; D23/389; D20/42, 44
CPC A01G 1/08; A01G 9/222; E01C 11/221; E01C 11/08; E01C 11/04; E01C 11/222; E01C 11/22; E02D 5/803; E02D 5/805; E04H 12/182; H01Q 1/103; E04C 3/06
See application file for complete search history.

(56) **References Cited**

U.S. PATENT DOCUMENTS

- D185,236 S * 5/1959 Reese D25/119
- 3,225,872 A * 12/1965 O'Brien E04C 3/07
403/217

- 3,728,837 A * 4/1973 Kiefer, Jr. E04H 17/163
256/DIG. 5
- 3,957,383 A * 5/1976 Fredericks E01C 11/222
404/72
- 4,461,134 A * 7/1984 Lowe E04C 3/07
206/519
- D288,966 S * 3/1987 Gordon D25/119
- D331,116 S * 11/1992 Stuart D25/119
- 5,240,343 A * 8/1993 Strobl, Jr. E01C 11/221
404/7
- 5,544,445 A * 8/1996 Mantilla A01G 1/08
404/7
- 5,857,288 A * 1/1999 Wiste A01G 1/08
47/33
- D489,465 S * 5/2004 Allsopp D25/119

* cited by examiner

Primary Examiner — Eric Goodman

Assistant Examiner — Amy Wierenga

(74) *Attorney, Agent, or Firm* — Frank A. Mazzeo; Ryder, Lu, Mazzeo & Konieczny LLC

(57) **CLAIM**

The ornamental design for a beading, as shown and described.

DESCRIPTION

FIG. 1 is a perspective view of the beading.
FIG. 2 is a front view of the beading of FIG. 1;
FIG. 3 is a rear view of the beading of FIG. 1;
FIG. 4 is a left-side profile view of the beading of FIG. 1;
FIG. 5 is a top view of the beading of FIG. 1; and,
FIG. 6 is a bottom view of the beading of FIG. 1.

1 Claim, 2 Drawing Sheets

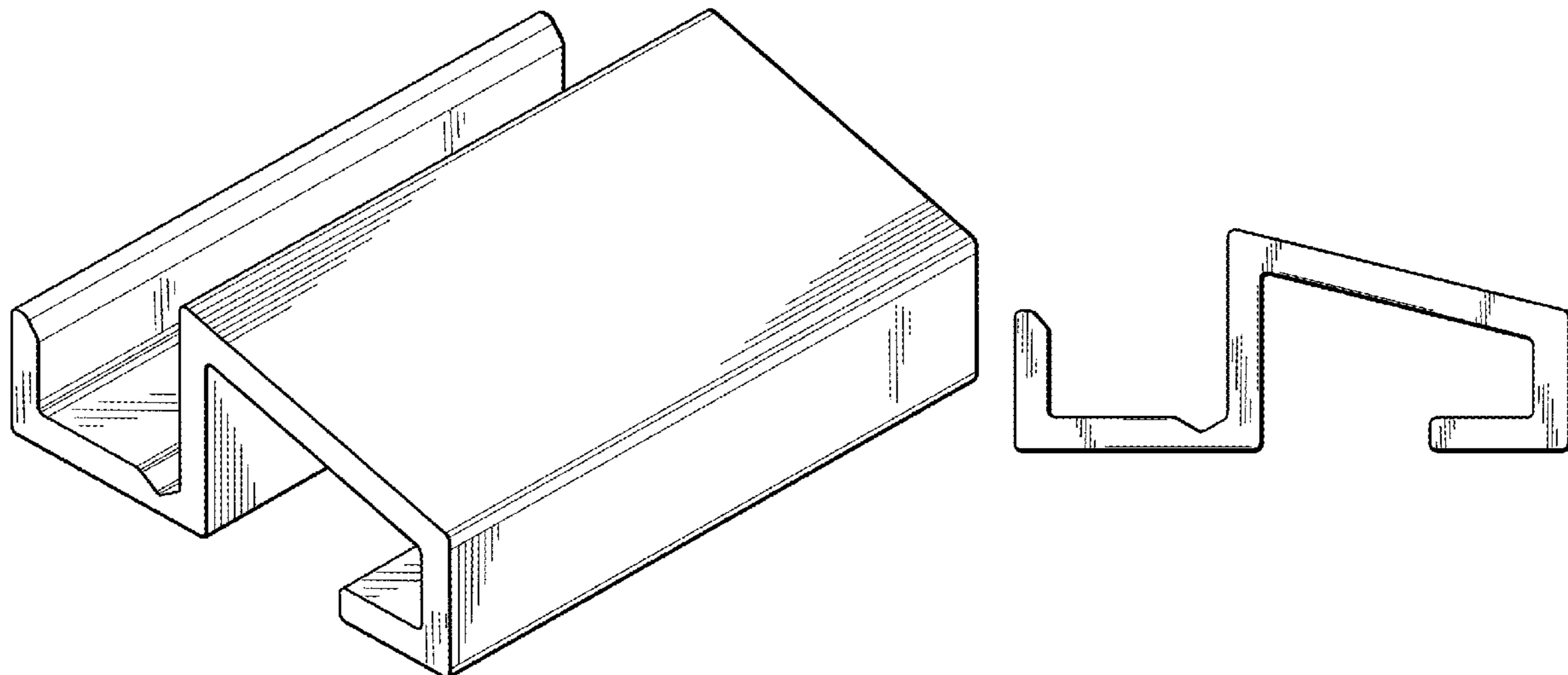


FIG. 1

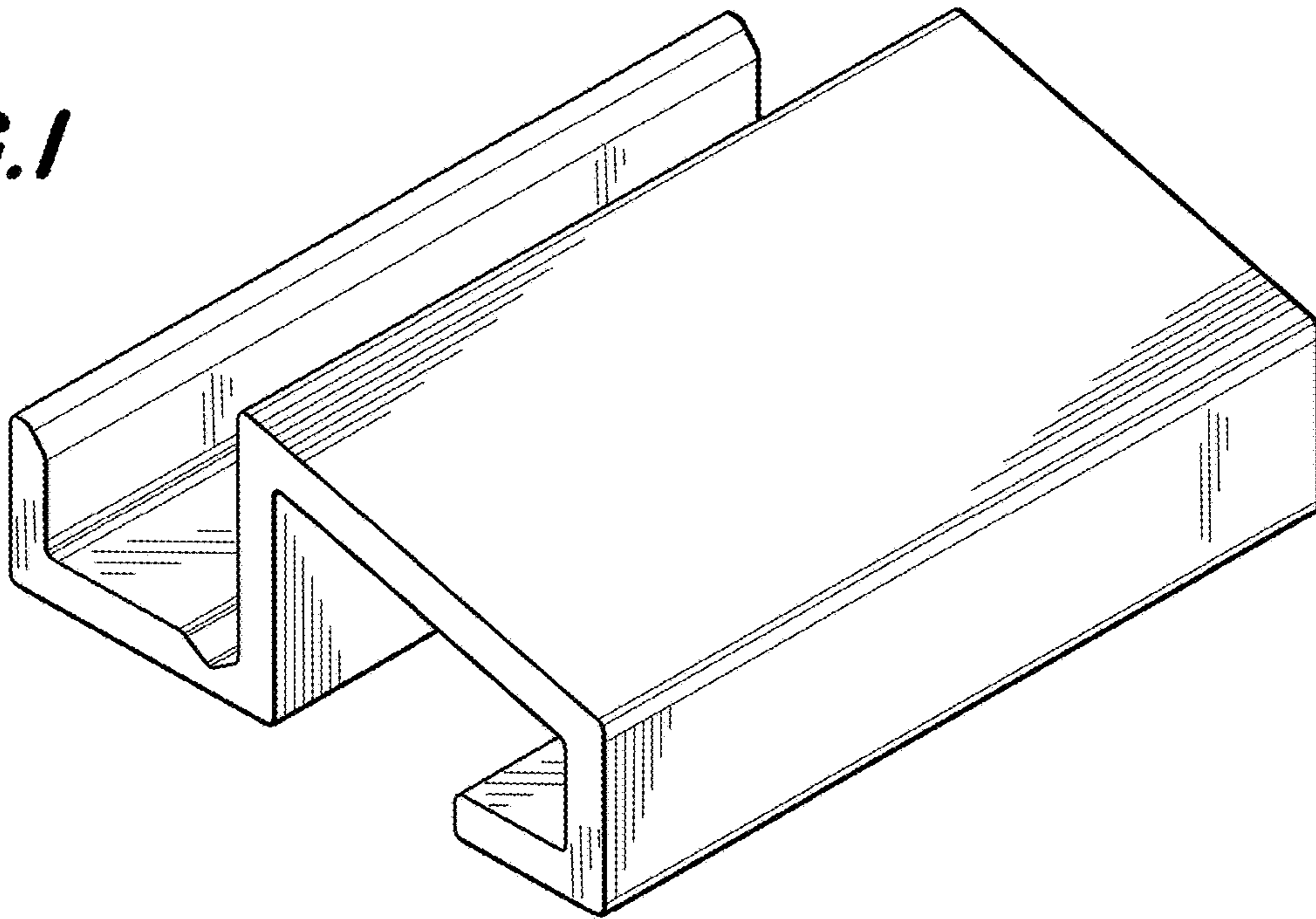


FIG. 2

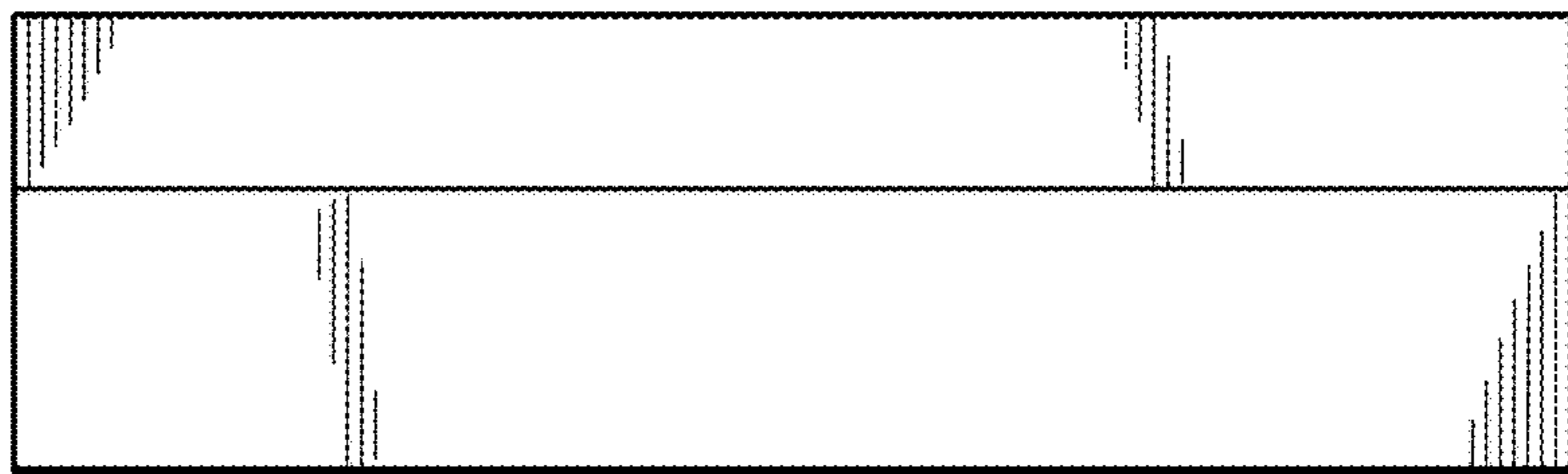


FIG. 3

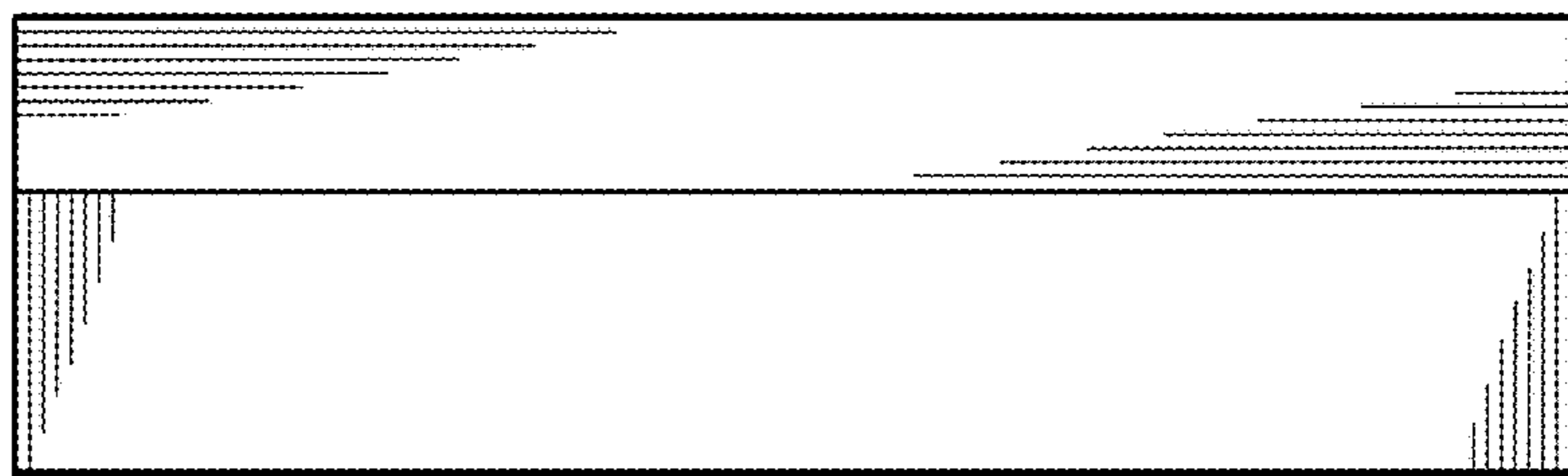


FIG. 4

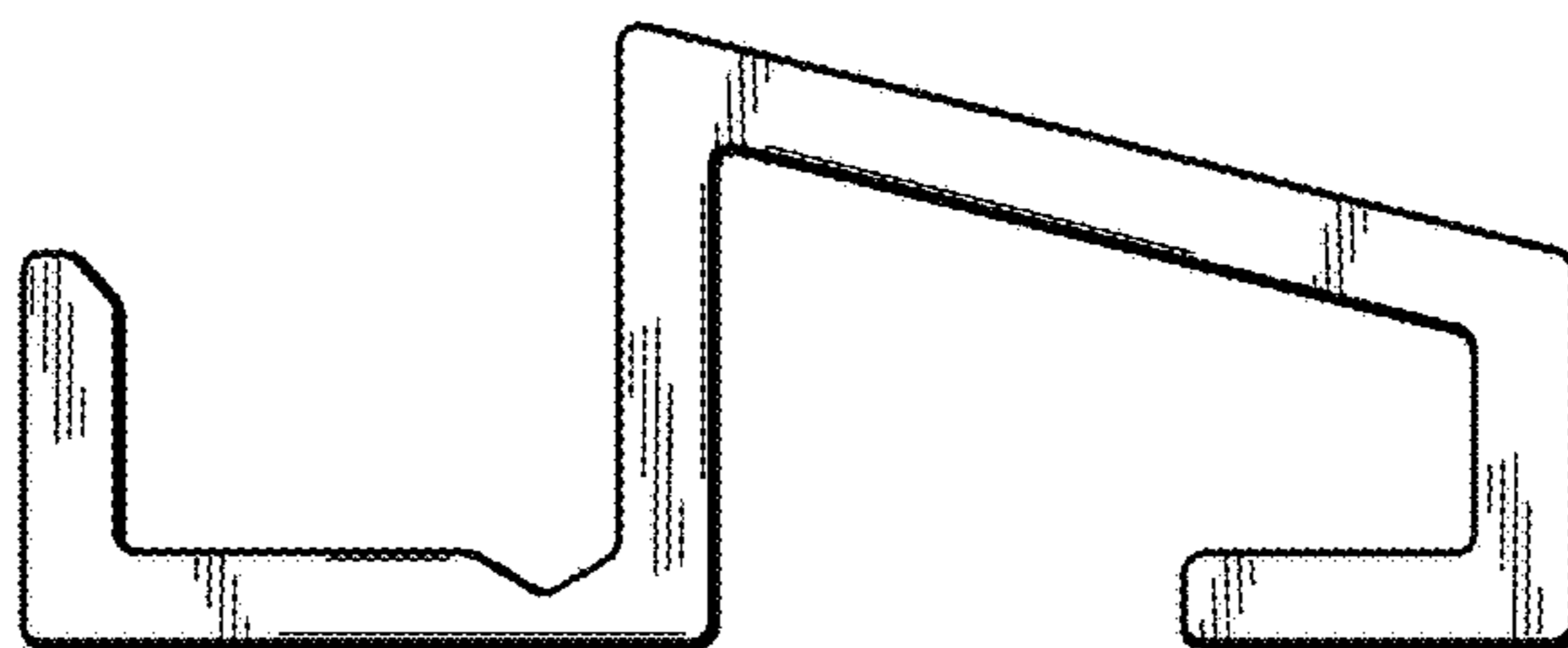


FIG. 5

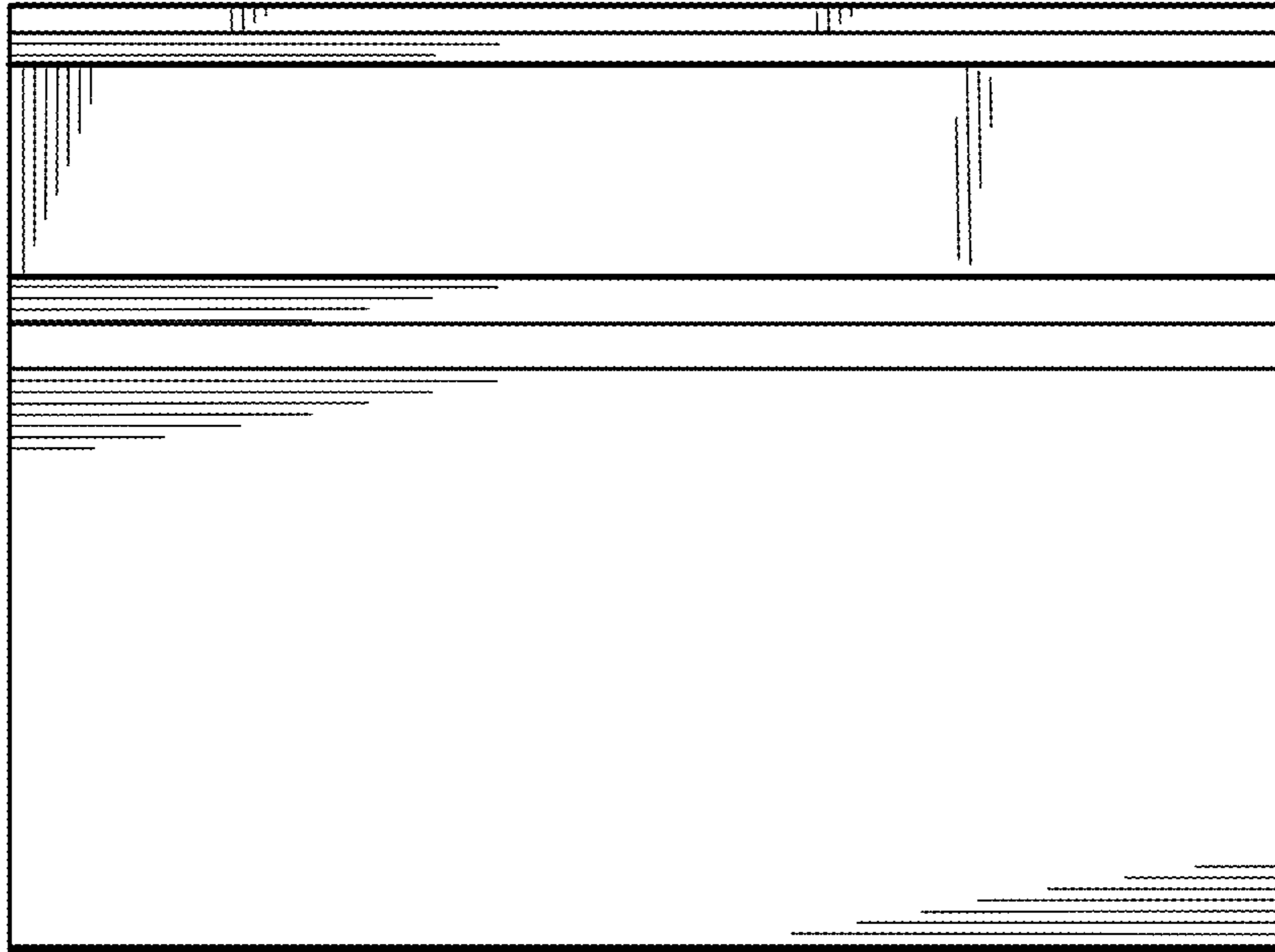


FIG. 6

