



US00D781451S

(12) **United States Design Patent** (10) **Patent No.:** **US D781,451 S**  
**Bokros** (45) **Date of Patent:** **\*\* Mar. 14, 2017**

(54) **SCAFFOLD LEG WITH BASE PLATE**  
 (71) Applicant: **LOBO Systems Limited**, Derby (GB)  
 (72) Inventor: **Robert Bokros**, Derby (GB)  
 (73) Assignee: **LOBO Systems Limited**, Derby (GB)  
 (\*\*) Term: **15 Years**

(21) Appl. No.: **29/544,210**  
 (22) Filed: **Oct. 30, 2015**

(30) **Foreign Application Priority Data**

Aug. 11, 2015 (EM) ..... 2752774002

(51) **LOC (10) Cl.** ..... **25-04**

(52) **U.S. Cl.**  
 USPC ..... **D25/68**

(58) **Field of Classification Search**  
 USPC ..... D25/62-68, 119, 131; 182/82, 113, 148,  
 182/136; 248/226.11, 246, 407, 161  
 CPC .... E04G 7/32; E04G 5/00; E04G 1/34; E04G  
 5/046  
 See application file for complete search history.

(56) **References Cited**

U.S. PATENT DOCUMENTS

4,766,976 A \* 8/1988 Wallick, Jr. .... E06C 7/44  
 182/111  
 D316,608 S \* 4/1991 Wagner ..... D25/68  
 D341,664 S \* 11/1993 Newkirk ..... D25/68

D359,365 S \* 6/1995 Greene ..... D25/68  
 D371,608 S \* 7/1996 Mintz ..... D25/68  
 D373,428 S \* 9/1996 Nashleanas ..... D25/68  
 D380,277 S \* 6/1997 Bonn ..... D25/68  
 D397,453 S \* 8/1998 Dahlin ..... D25/131  
 D420,752 S \* 2/2000 Hiscock ..... D25/68

\* cited by examiner

*Primary Examiner* — Cynthia Ramirez

*Assistant Examiner* — Gino Colan

(74) *Attorney, Agent, or Firm* — Renner, Otto, Boisselle  
 and Sklar LLP

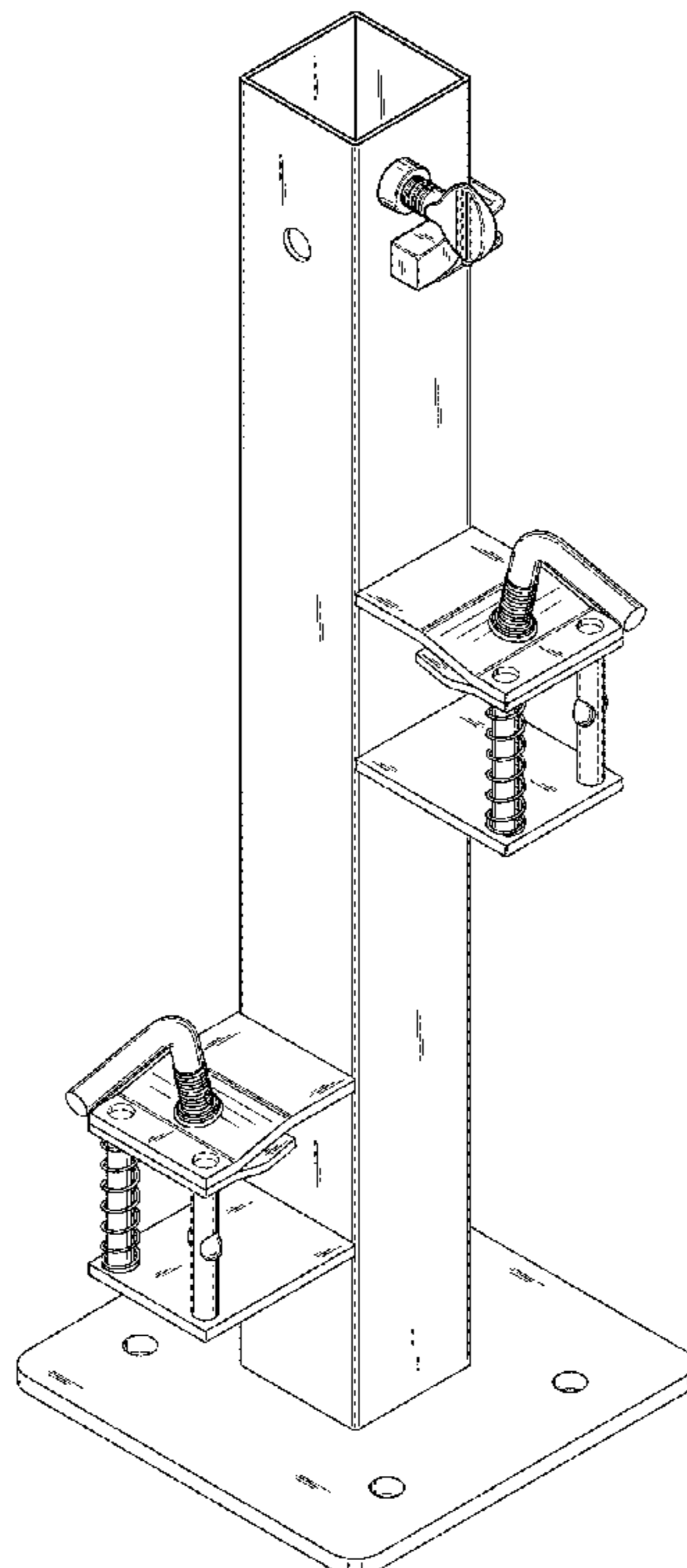
(57) **CLAIM**

The ornamental design for a scaffold leg with base plate, as shown and described.

**DESCRIPTION**

FIG. 1 is a perspective view of the scaffold leg with base plate showing my new design;  
 FIG. 2 is a front view of the scaffold leg with base plate shown in FIG. 1;  
 FIG. 3 is a left side view of the scaffold leg with base plate shown in FIG. 1;  
 FIG. 4 is a back side view of the scaffold leg with base plate shown in FIG. 1;  
 FIG. 5 is a right side view of the scaffold leg with base plate shown in FIG. 1;  
 FIG. 6 is a top plan view of the scaffold leg with base plate of FIG. 1; and,  
 FIG. 7 is a bottom plan view of the scaffold leg with base plate of FIG. 1.

**1 Claim, 7 Drawing Sheets**



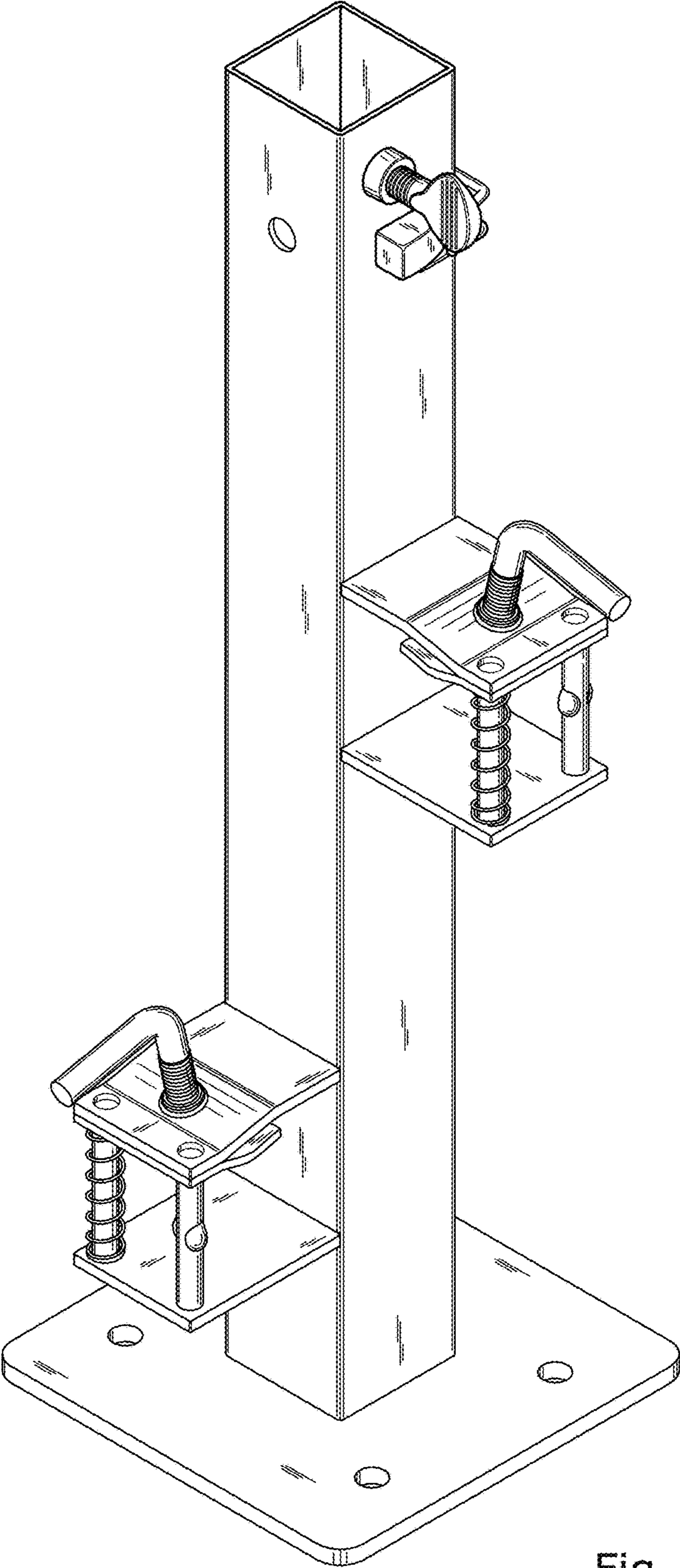


Fig. 1

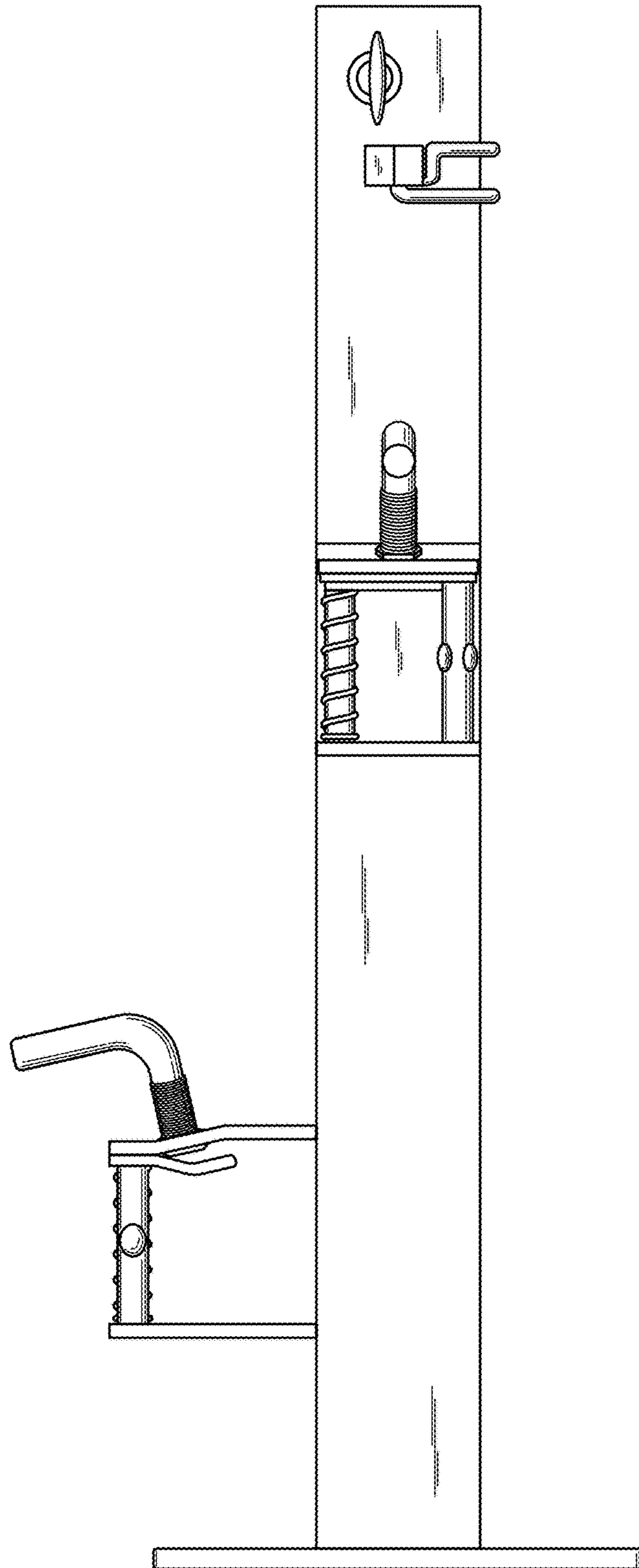


Fig. 2

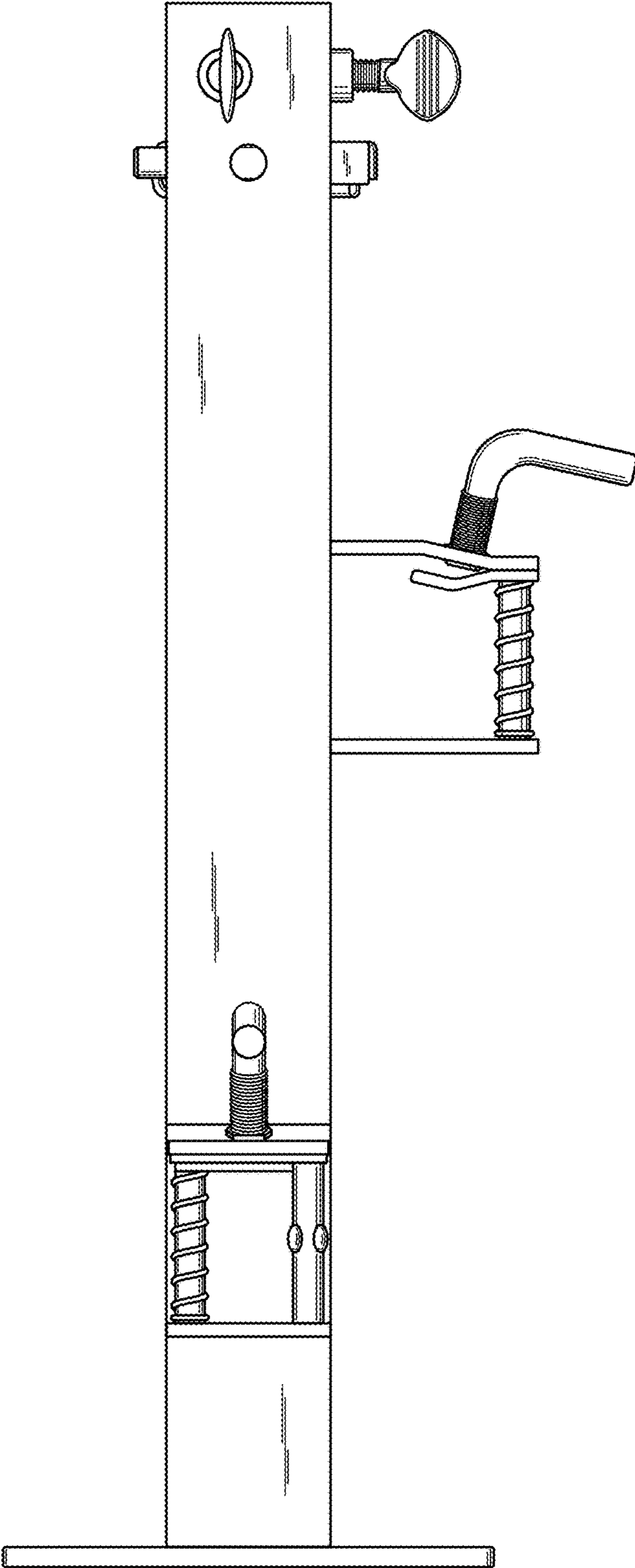


Fig. 3

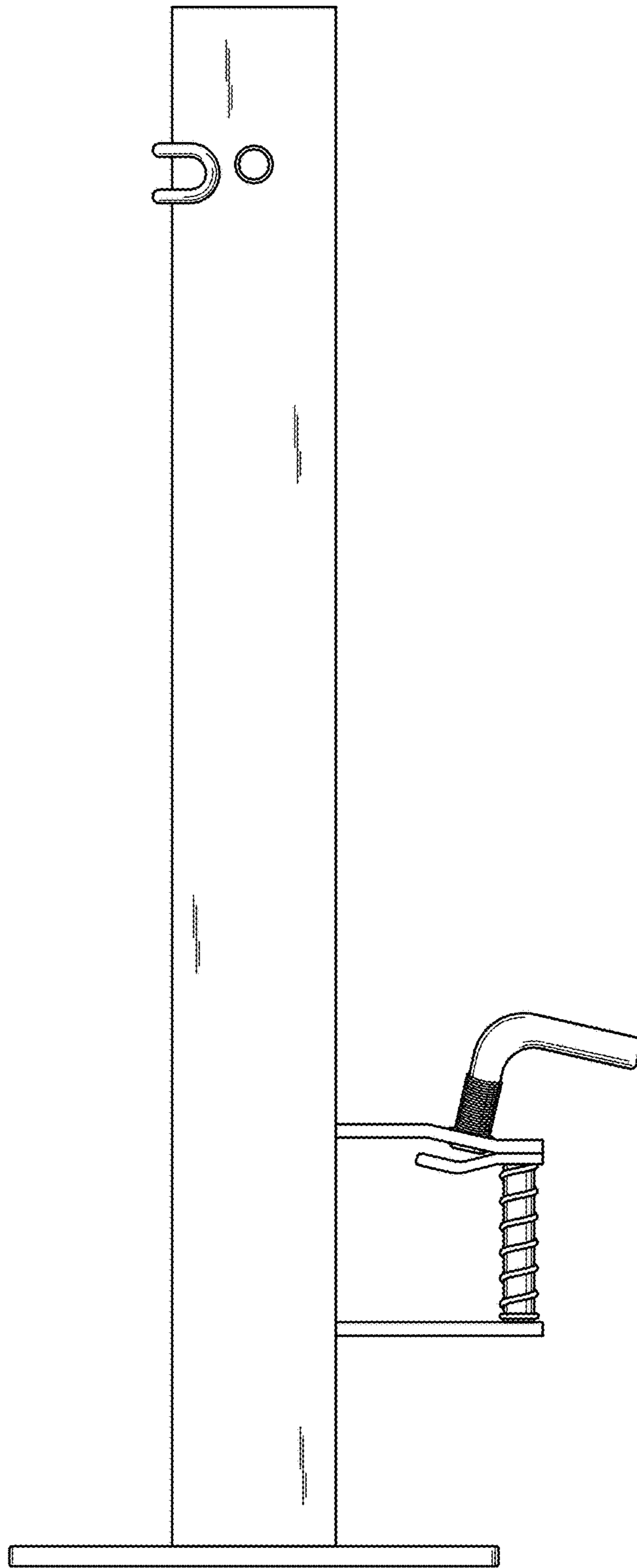


Fig. 4

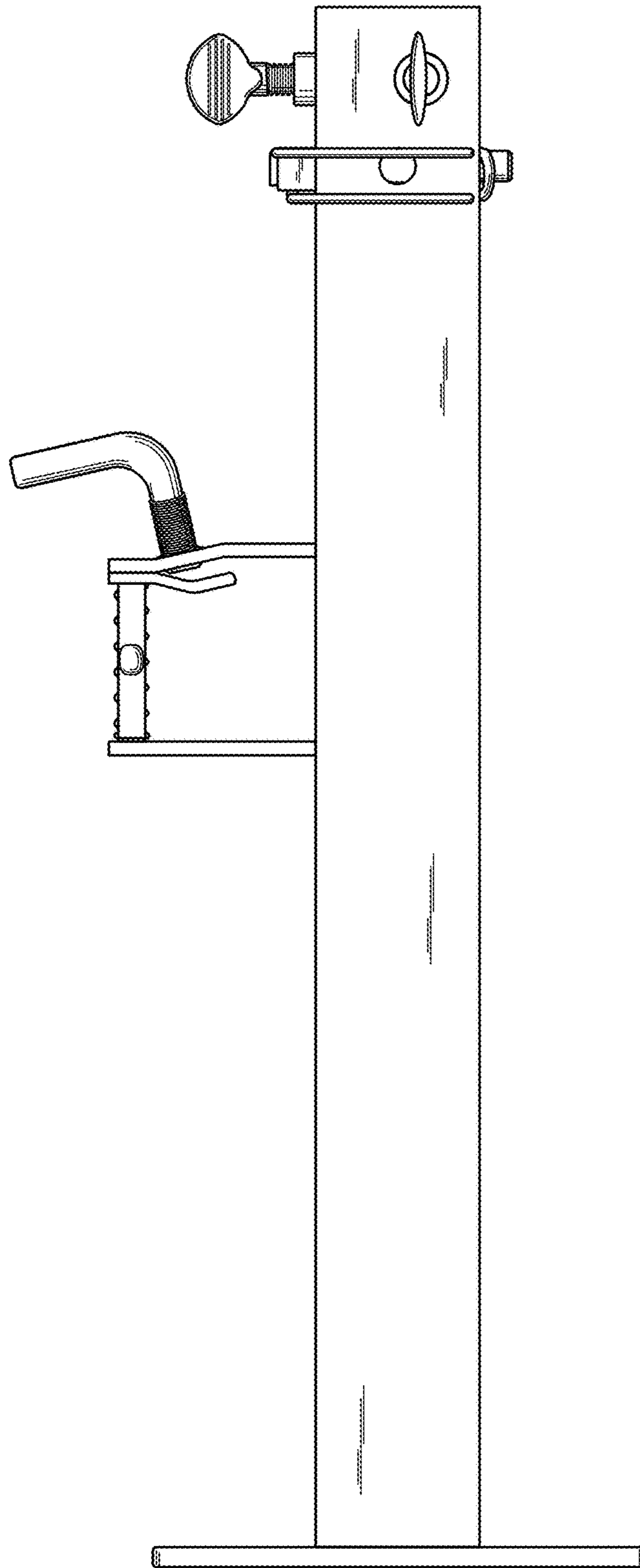


Fig. 5



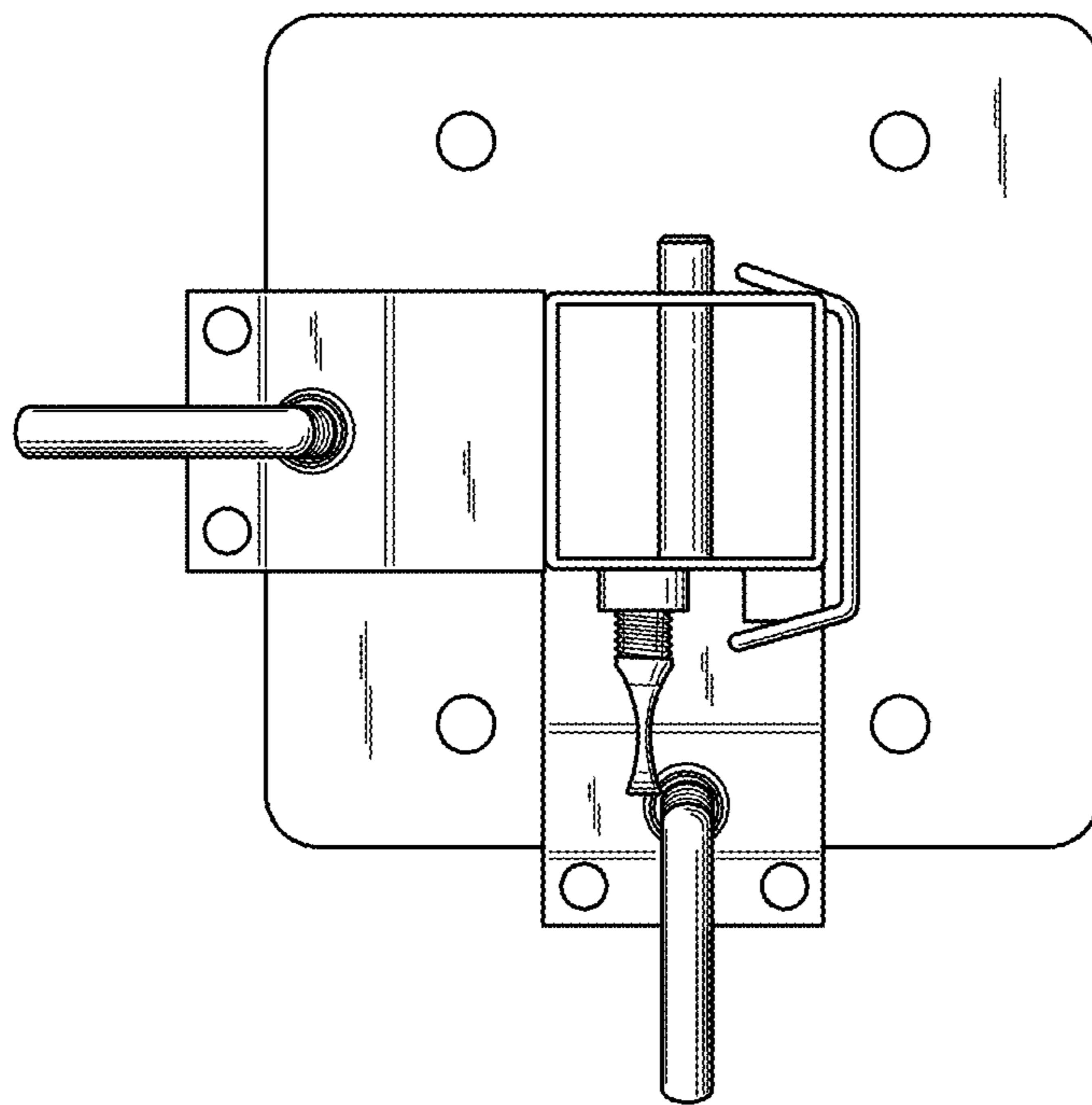


Fig. 6

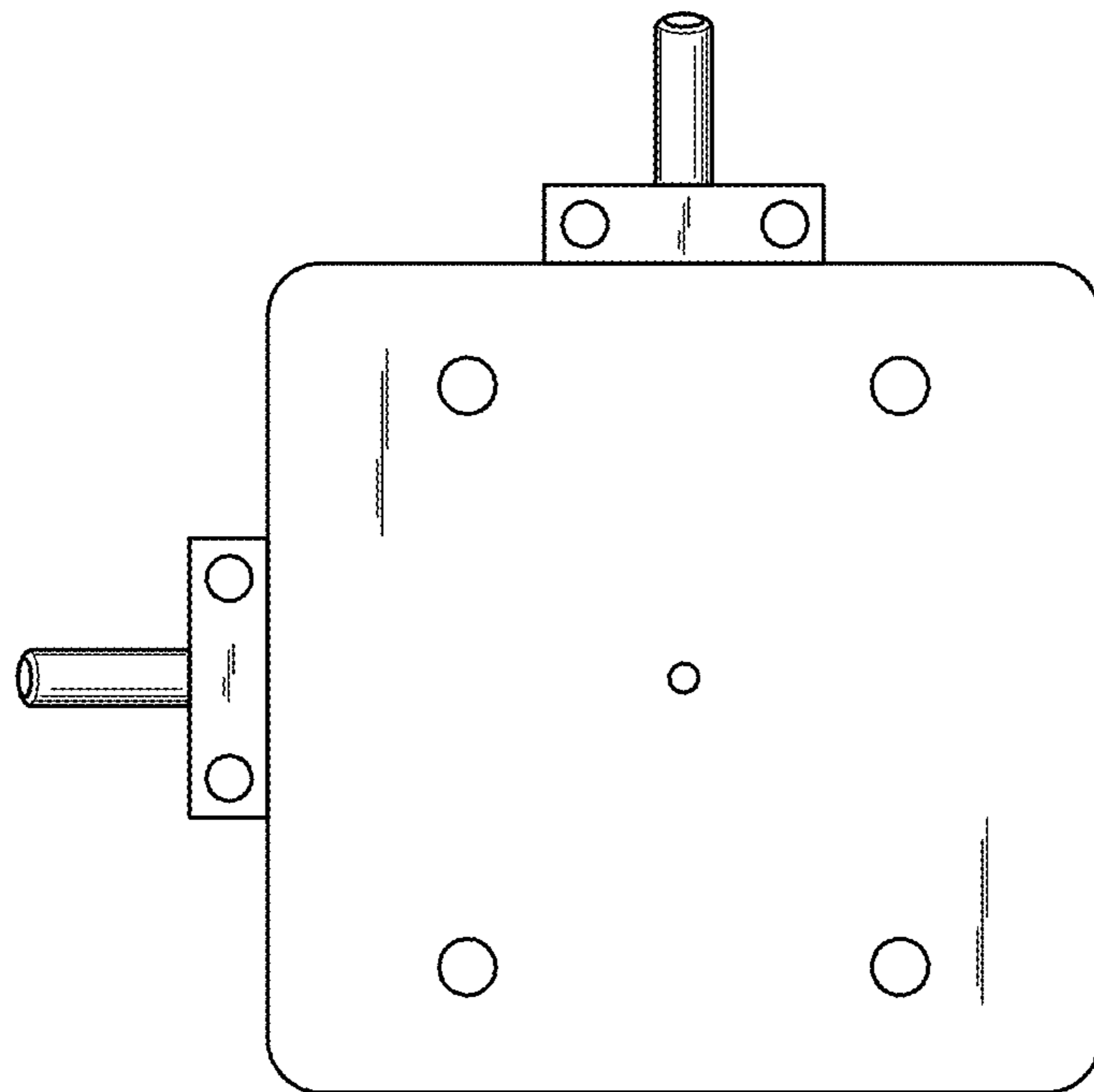


Fig. 7