



US00D781449S

(12) **United States Design Patent**  
**Green**

(10) **Patent No.:** **US D781,449 S**

(45) **Date of Patent:** **\*\* Mar. 14, 2017**

(54) **LADDER**  
(71) Applicant: **LockNClimb, LLC**, Independence, KS  
(US)  
(72) Inventor: **Jeffrey Alan Green**, Independence, KS  
(US)

5,740,883 A \* 4/1998 Trank ..... E06C 7/14  
182/129  
D721,825 S \* 1/2015 Green ..... D25/68  
D722,181 S \* 2/2015 Green ..... D25/64  
D722,182 S \* 2/2015 Green ..... D25/64  
D745,191 S \* 12/2015 Green ..... D25/64  
2013/0048427 A1\* 2/2013 Sordo ..... E06C 7/46  
182/110  
2015/0354276 A1\* 12/2015 Green ..... E06C 1/16  
182/172  
2016/0024844 A1\* 1/2016 Neubauer ..... E06C 1/38  
182/106

(\*\*) Term: **15 Years**

\* cited by examiner

(21) Appl. No.: **29/553,132**

*Primary Examiner* — Cynthia Ramirez

(22) Filed: **Jan. 28, 2016**

*Assistant Examiner* — Gino Colan

(51) **LOC (10) Cl.** ..... **25-04**

(74) *Attorney, Agent, or Firm* — Katten Muchin

(52) **U.S. Cl.**

Rosenman LLP

USPC ..... **D25/64**

(58) **Field of Classification Search**

(57) **CLAIM**

USPC ..... D25/62–69; 182/180.1, 129, 18, 172,  
182/156, 166, 111, 23, 152, 167, 170,  
182/173, 180.2, 179.1, 194, 165, 201,  
182/159, 162, 112, 113, 215, 220, 120,  
182/106, 26, 115, 207; 248/210, 238, 236

The ornamental design for a ladder, as shown and described.

CPC . E06C 1/125; E06C 1/10; E06C 1/383; E06C  
7/50; E06C 7/04; E06C 1/18; E06C 7/14;  
E06C 7/16; E06C 1/22

**DESCRIPTION**

See application file for complete search history.

FIG. 1 is a front perspective view of a ladder showing my  
new design;

FIG. 2 is a right elevational view thereof;

FIG. 3 is a left elevational view thereof;

FIG. 4 is a front elevational view thereof;

FIG. 5 is a rear elevational view thereof;

FIG. 6 is a top plan view thereof; and,

FIG. 7 is a bottom plan view thereof.

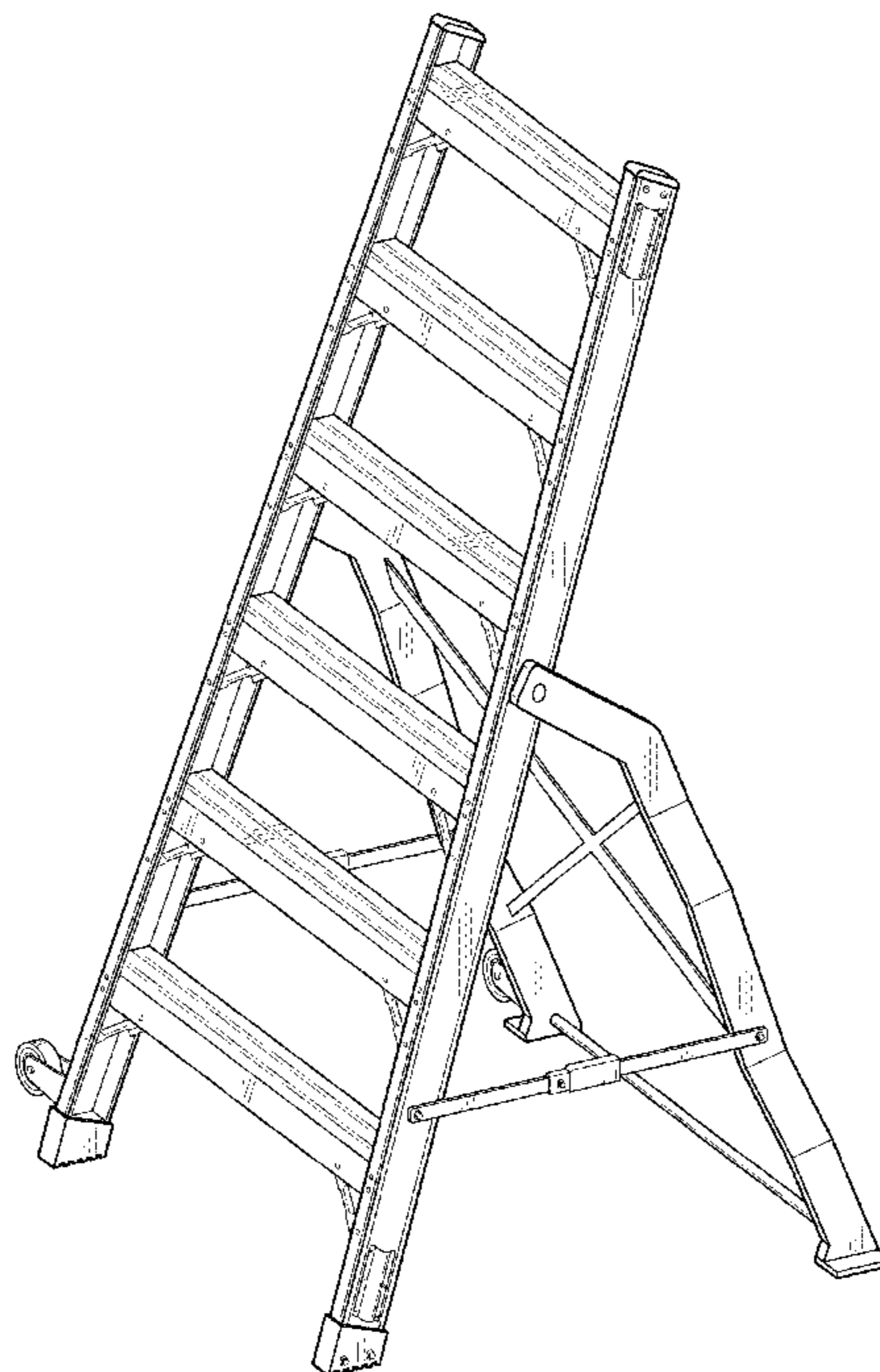
(56) **References Cited**

**U.S. PATENT DOCUMENTS**

4,565,262 A \* 1/1986 Hawkins ..... E06C 1/12  
182/116

4,798,262 A \* 1/1989 Margolies ..... E06C 1/20  
182/106

**1 Claim, 6 Drawing Sheets**



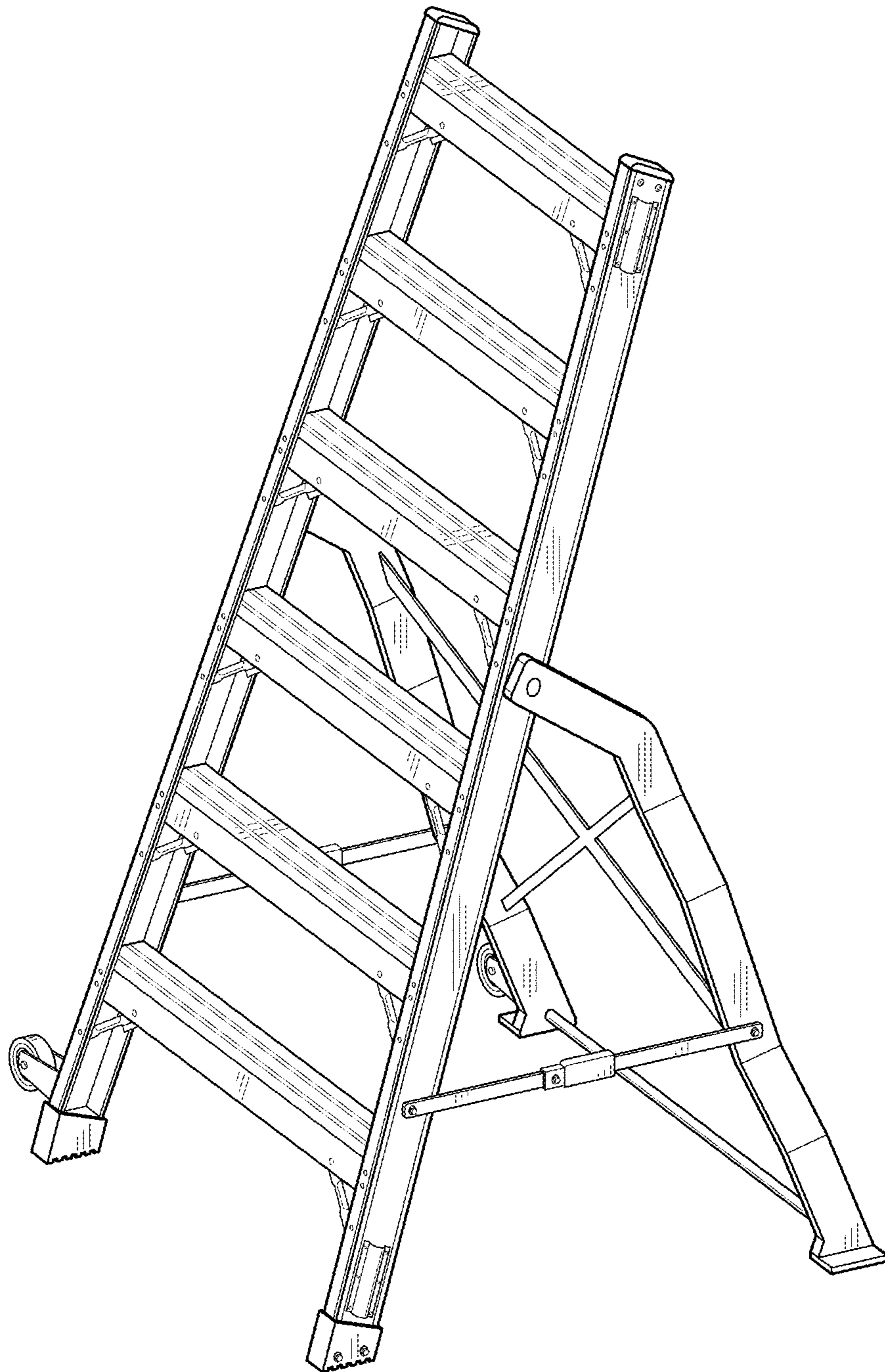


FIG. 1

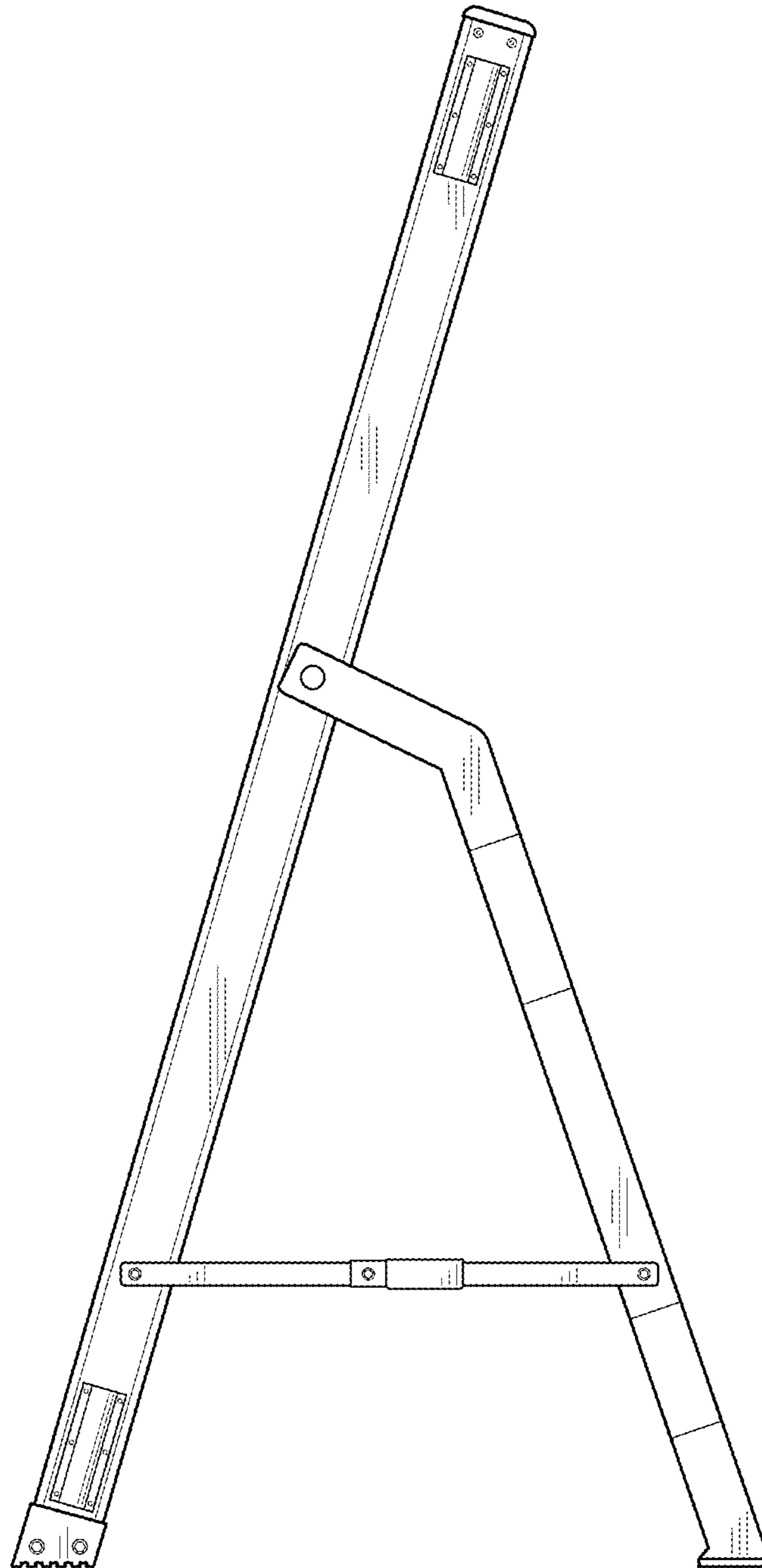


FIG. 2

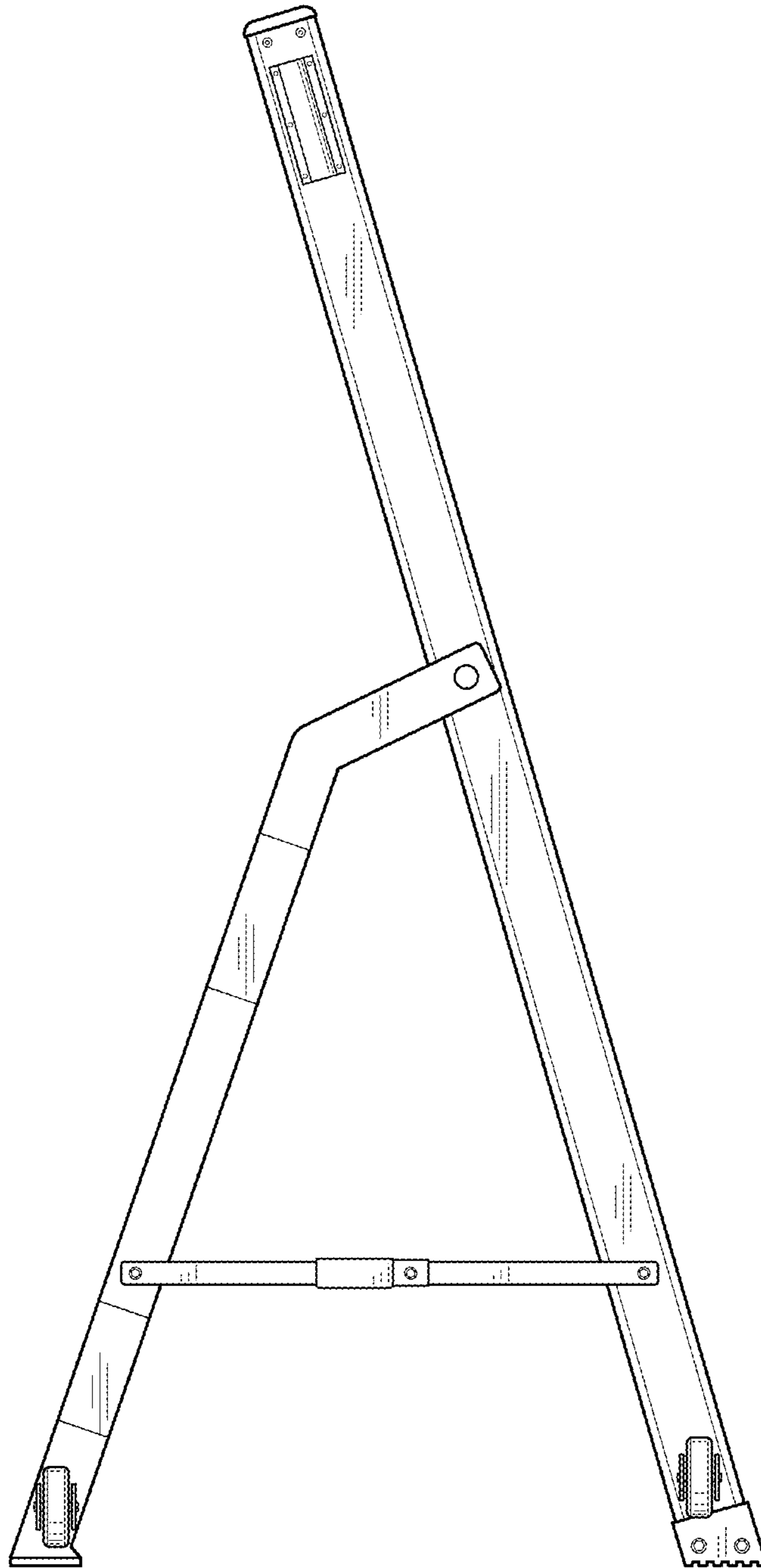


FIG. 3

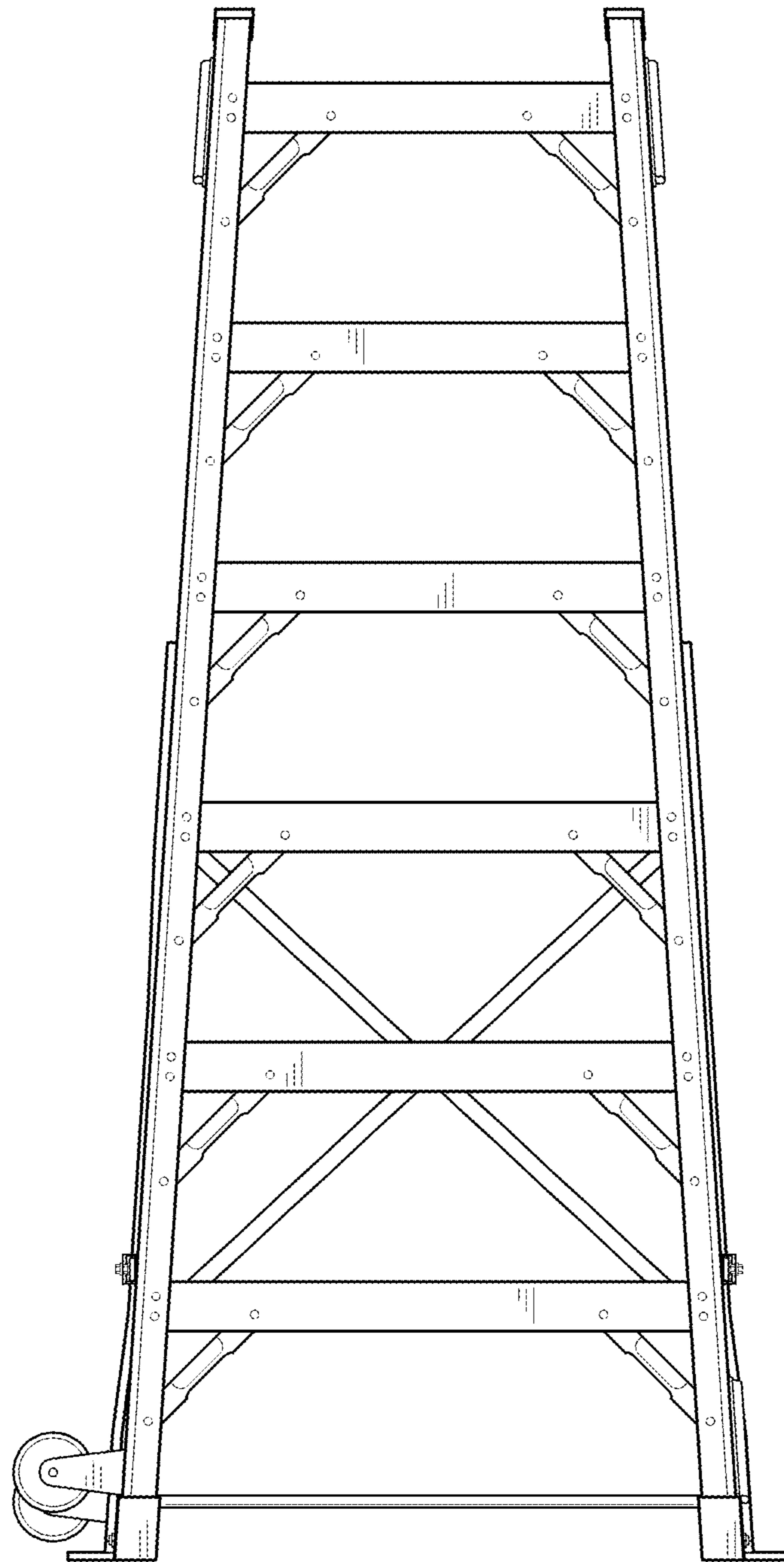


FIG. 4

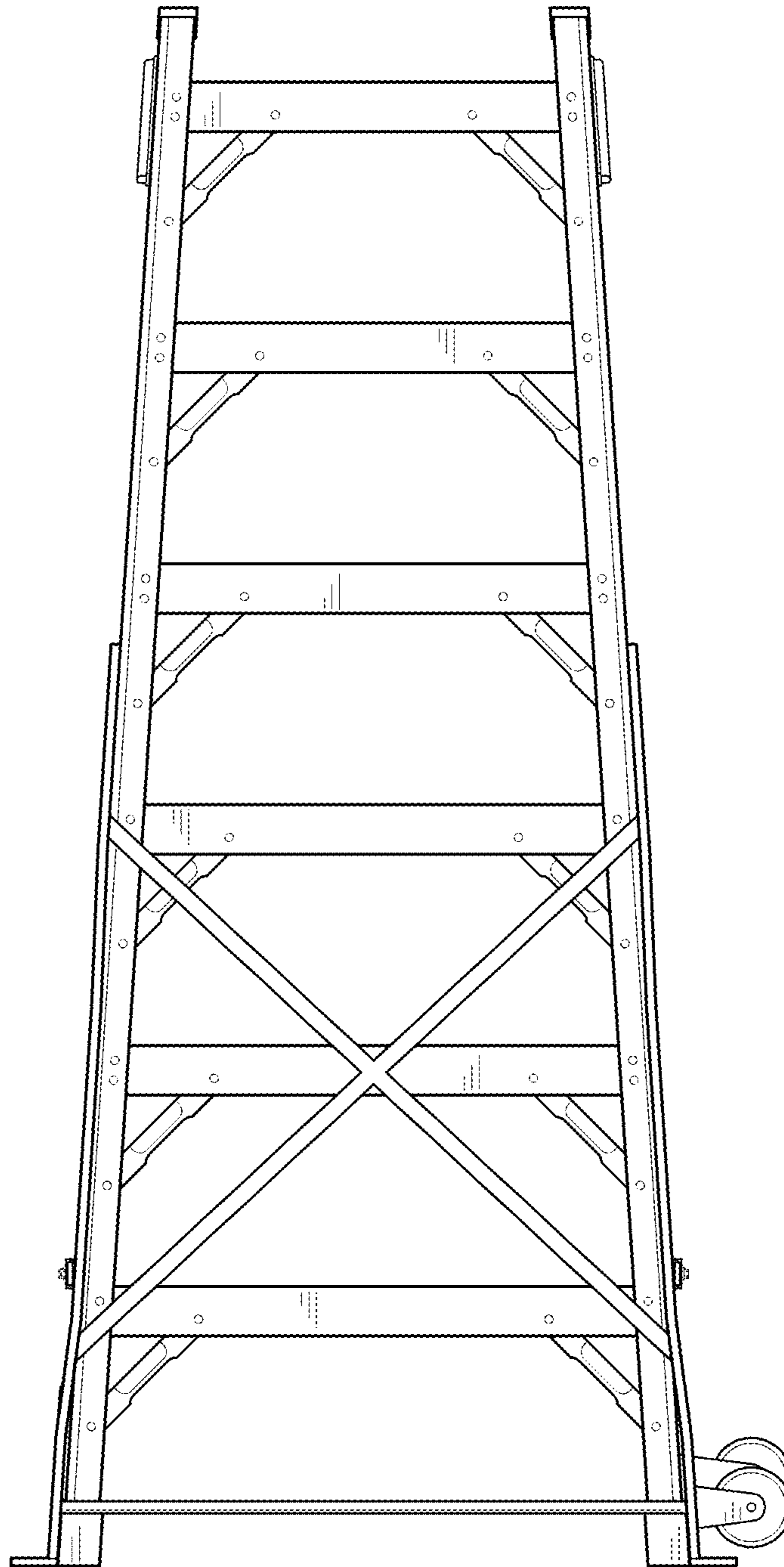


FIG. 5

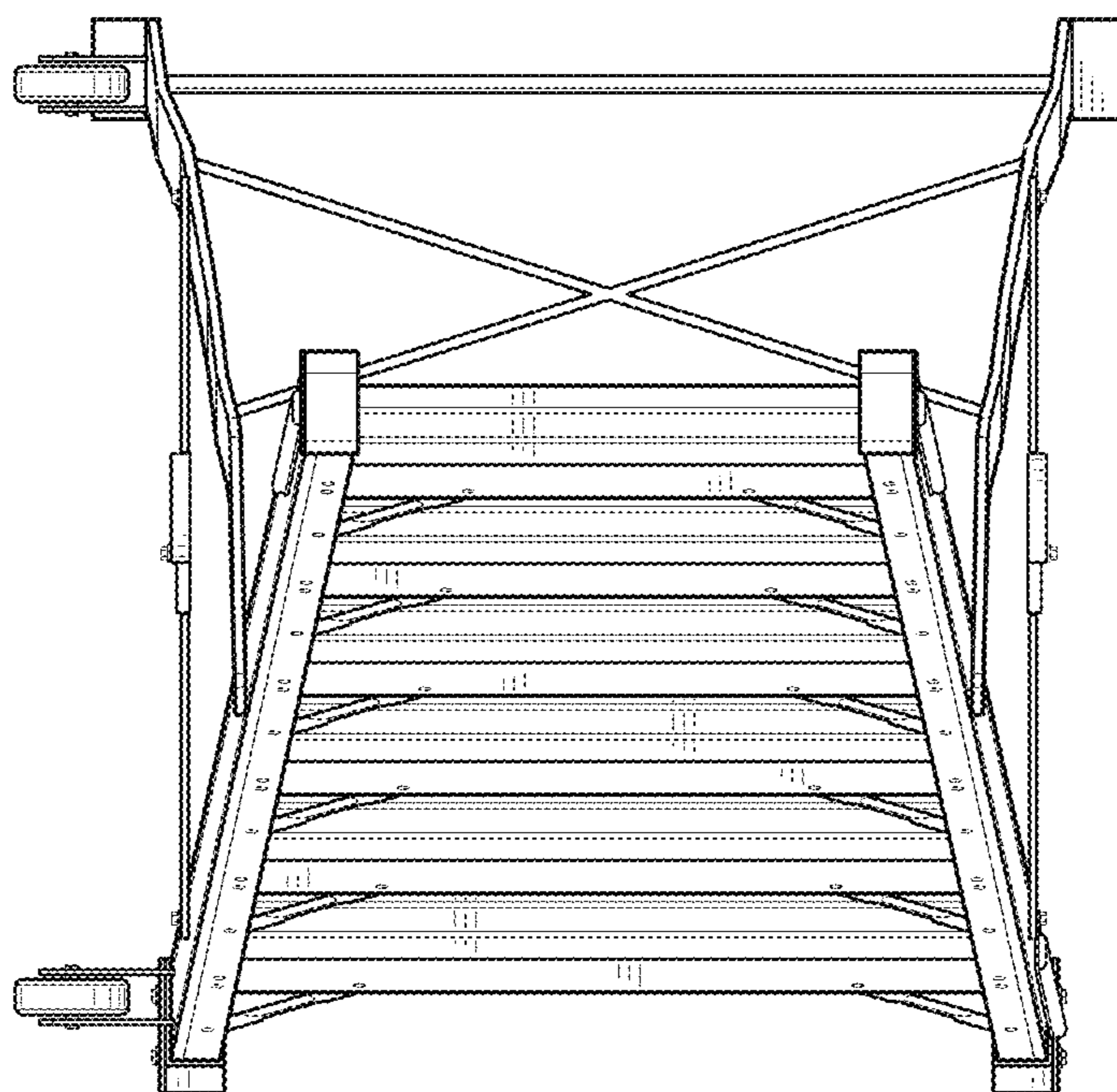


FIG. 6

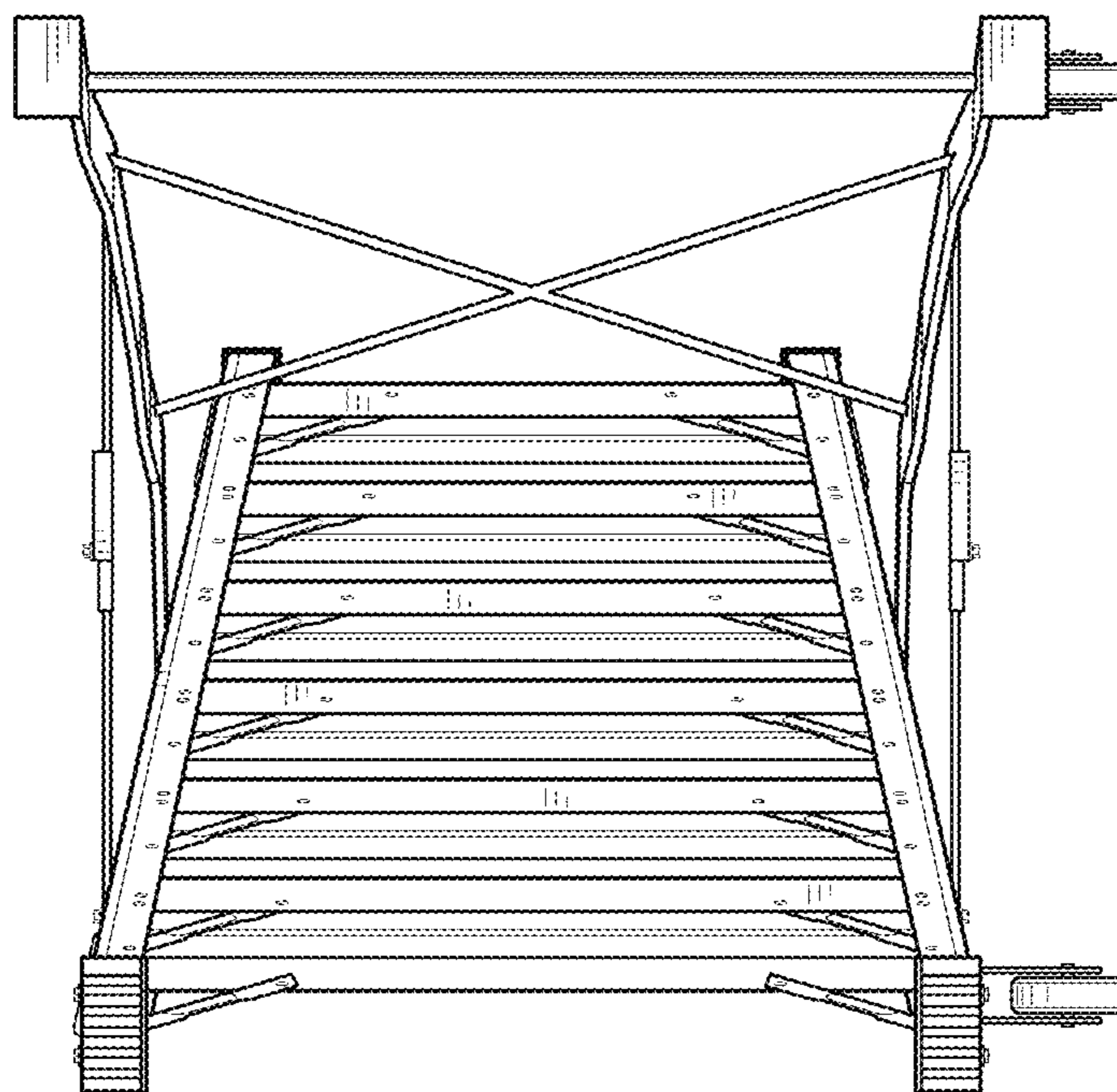


FIG. 7