



US00D781444S

(12) **United States Design Patent** (10) **Patent No.:** **US D781,444 S**  
**Gill et al.** (45) **Date of Patent:** **\*\* Mar. 14, 2017**

(54) **MODULAR BUILDING**

(71) Applicants: **Peter E. Gill**, Tamuning, GU (US);  
**Peter E. Gill, III**, Tamuning, GU (US)

(72) Inventors: **Peter E. Gill**, Tamuning, GU (US);  
**Peter E. Gill, III**, Tamuning, GU (US)

(73) Assignee: **KWIKSPACE GUAM, INC.**, Hagatna,  
GU (US)

(\*\*) Term: **15 Years**

(21) Appl. No.: **29/547,376**

(22) Filed: **Dec. 3, 2015**

**Related U.S. Application Data**

(63) Continuation-in-part of application No. 14/221,335,  
filed on Mar. 21, 2014, which is a continuation-in-part  
of application No. 14/143,057, filed on Dec. 30, 2013,  
now abandoned, which is a continuation-in-part of  
application No. 13/870,141, filed on Apr. 25, 2013,  
now Pat. No. 8,640,396.

(51) **LOC (10) Cl.** ..... **25-03**

(52) **U.S. Cl.**  
USPC ..... **D25/32**

(58) **Field of Classification Search**  
USPC ..... D25/1-35  
CPC ..... E04B 1/02; E04B 1/04; E04B 1/10; E04B  
1/343; E04B 7/02; E04D 13/00; E04D  
13/15; E04H 9/00; E04H 9/02; E04H  
9/04; E04H 9/14; E04H 9/16; E04H 7/00;  
E04H 7/02; E04H 6/00; E04H 5/00;  
E04H 5/02; E04H 4/00; E04H 13/00;  
E04H 12/00; E04H 12/18; E04H 12/34

See application file for complete search history.

(56) **References Cited**

U.S. PATENT DOCUMENTS

3,095,616	A *	7/1963	Bigelow, Jr. ....	B60P 3/34 254/45
3,104,427	A *	9/1963	Bearde .....	E04B 1/02 52/250
3,137,041	A *	6/1964	Mullen .....	B60P 3/34 296/171
3,462,897	A *	8/1969	Weinrott .....	E04B 1/10 52/169.14
D216,954	S *	3/1970	Jenn .....	52/79.7
3,507,079	A *	4/1970	George .....	E04D 13/15 52/314
3,768,217	A *	10/1973	Tyson .....	E04D 13/15 52/543

(Continued)

*Primary Examiner* — Manpreet Matharu

*Assistant Examiner* — Suzanne Tisdell

(74) *Attorney, Agent, or Firm* — Donald J. Ersler

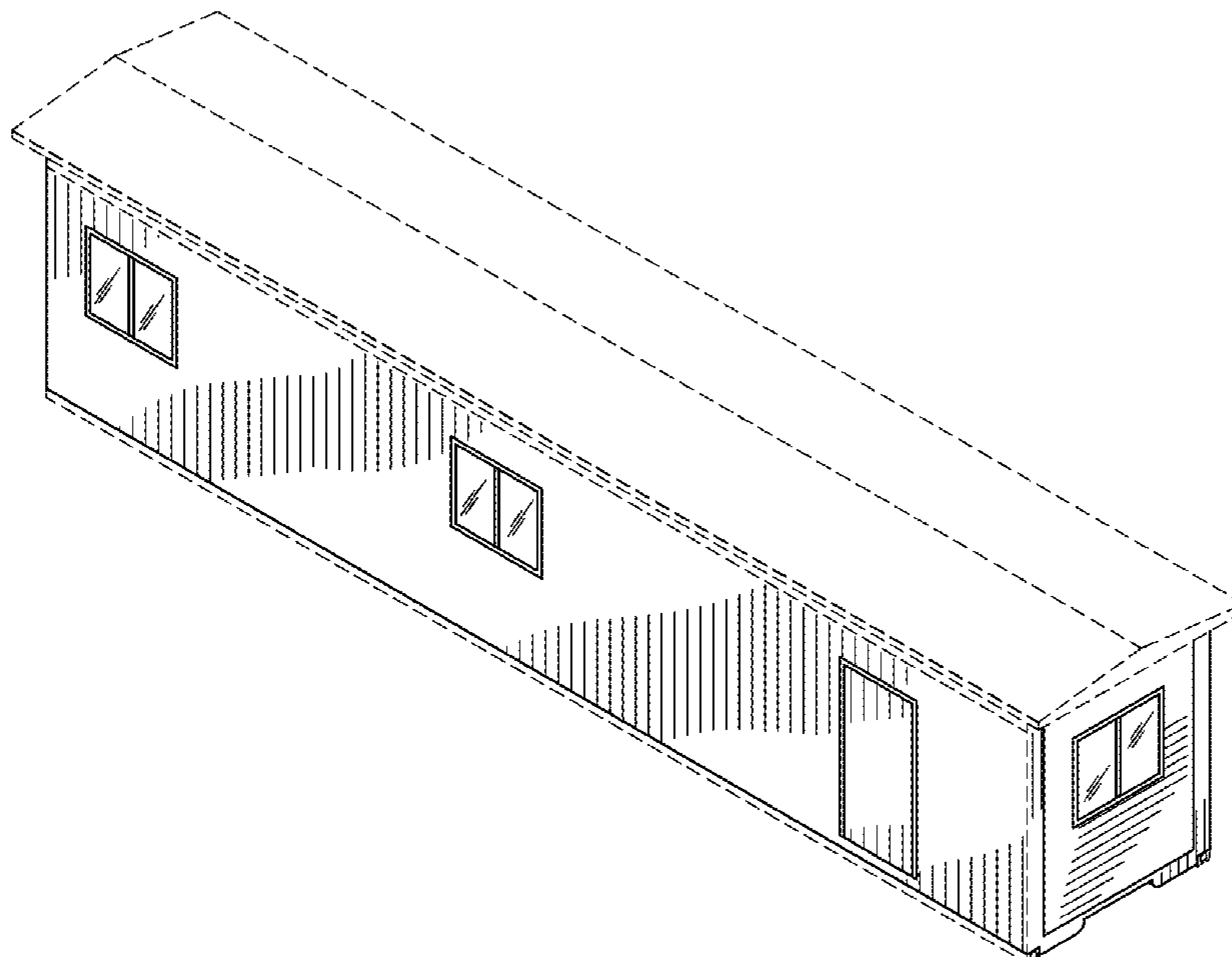
(57) **CLAIM**

The ornamental design for a modular building, as shown and described.

**DESCRIPTION**

FIG. 1 is a top perspective view of a modular building incorporating our new design;  
FIG. 2 is a bottom perspective view of a modular building;  
FIG. 3 is a front view of a modular building;  
FIG. 4 is a left side or right side view of a modular building;  
FIG. 5 is a top plan view of a modular building; and,  
FIG. 6 is a bottom plan view of a modular building.  
The broken lines shown in the drawings illustrate portions of the modular building that forms no part of the claimed invention.

**1 Claim, 6 Drawing Sheets**



(56)

**References Cited**

U.S. PATENT DOCUMENTS

4,122,639 A \* 10/1978 Barrell ..... E04B 7/02  
52/92.1  
4,435,926 A \* 3/1984 Struben ..... E04B 7/02  
52/22  
D285,971 S \* 9/1986 Marty ..... D25/17  
D293,925 S \* 1/1988 Roy ..... D21/511  
5,706,614 A 1/1998 Wiley, Jr. et al.  
D390,970 S \* 2/1998 Abrams ..... D25/1  
5,983,572 A \* 11/1999 Laboy ..... E04B 7/02  
52/167.1  
6,578,331 B1 \* 6/2003 Leslie ..... E04B 1/10  
52/262  
7,086,209 B1 \* 8/2006 Pruitt ..... E04B 1/34336  
52/125.1  
D625,835 S \* 10/2010 McKimmy ..... D25/33  
8,001,730 B2 8/2011 Wallance  
D683,047 S \* 5/2013 Gill ..... D25/22  
D727,531 S \* 4/2015 Gill ..... D25/22  
D771,272 S \* 11/2016 Hart ..... D25/1  
D771,274 S \* 11/2016 Breen ..... D25/22  
D771,835 S \* 11/2016 Bottin ..... D25/33  
2002/0174606 A1 \* 11/2002 Hunt ..... E04B 1/04  
52/79.1  
2005/0284064 A1 \* 12/2005 Price ..... E04B 1/10  
52/404.1  
2013/0061553 A1 \* 3/2013 Nagy ..... E04B 1/04  
52/741.3

\* cited by examiner

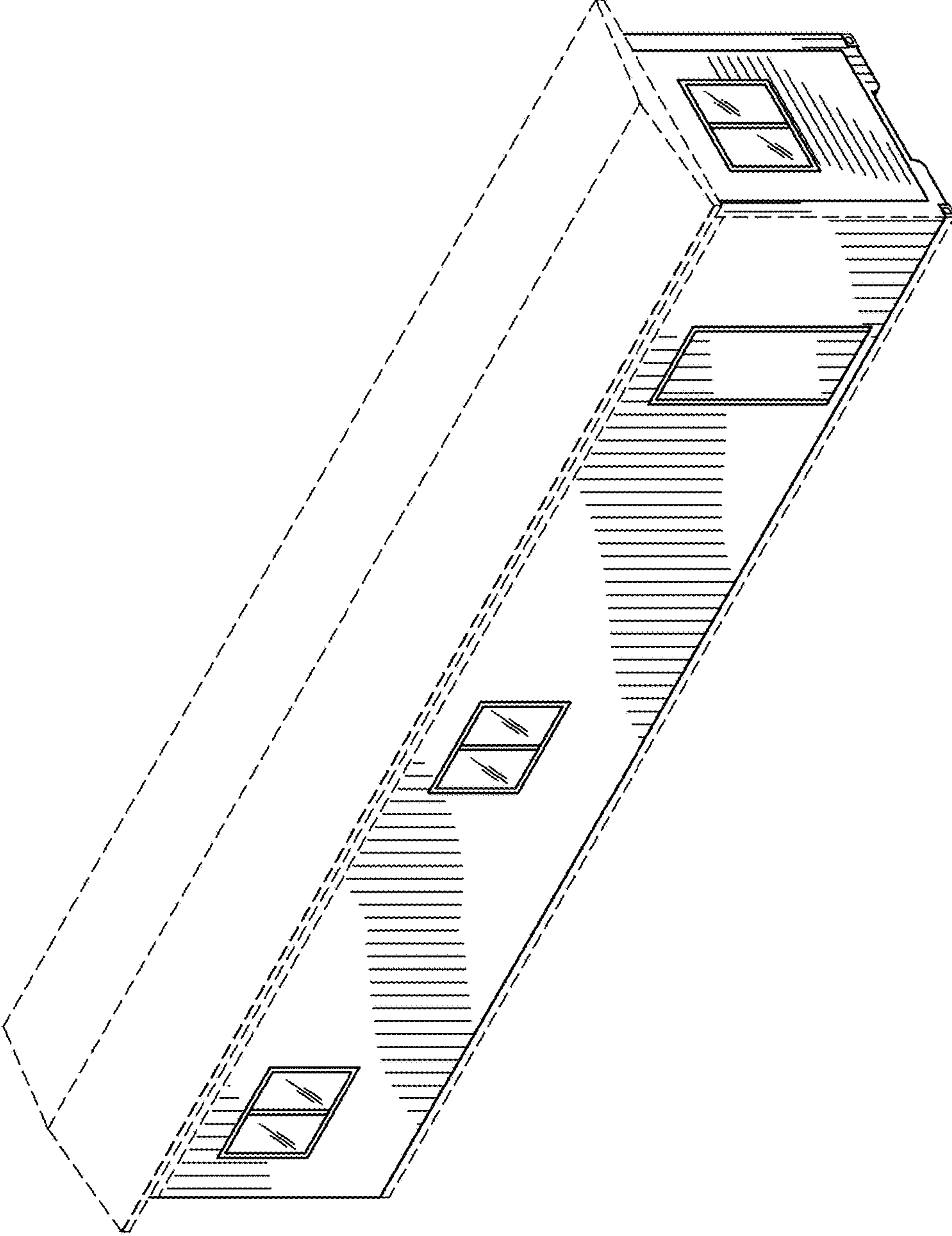


FIG. 1

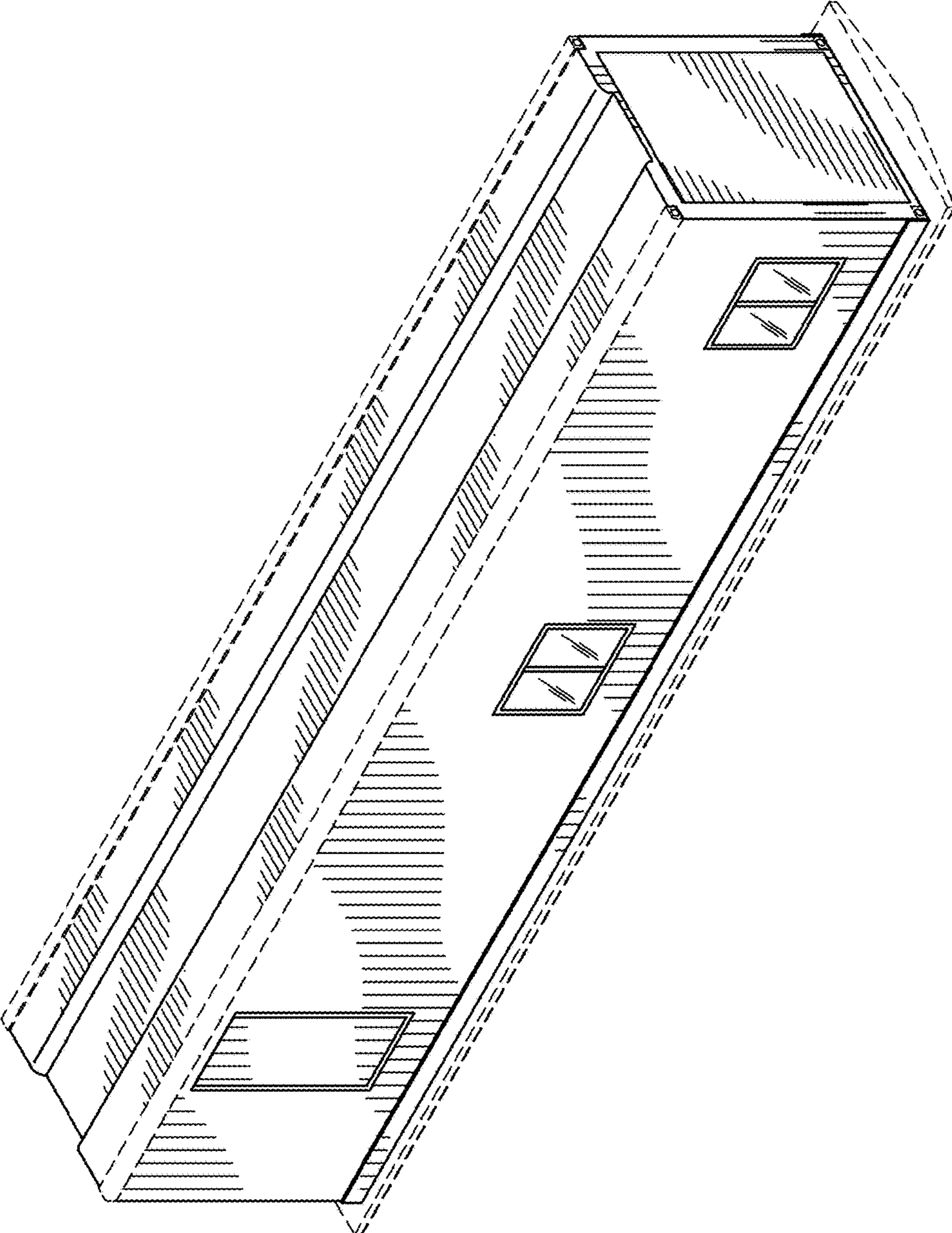


FIG. 2

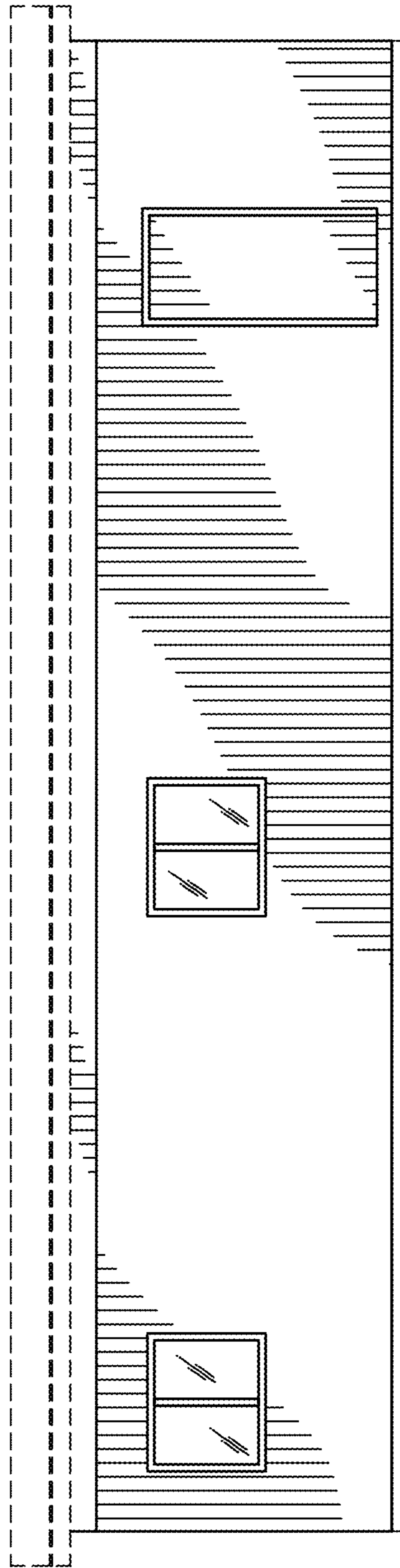


FIG. 3

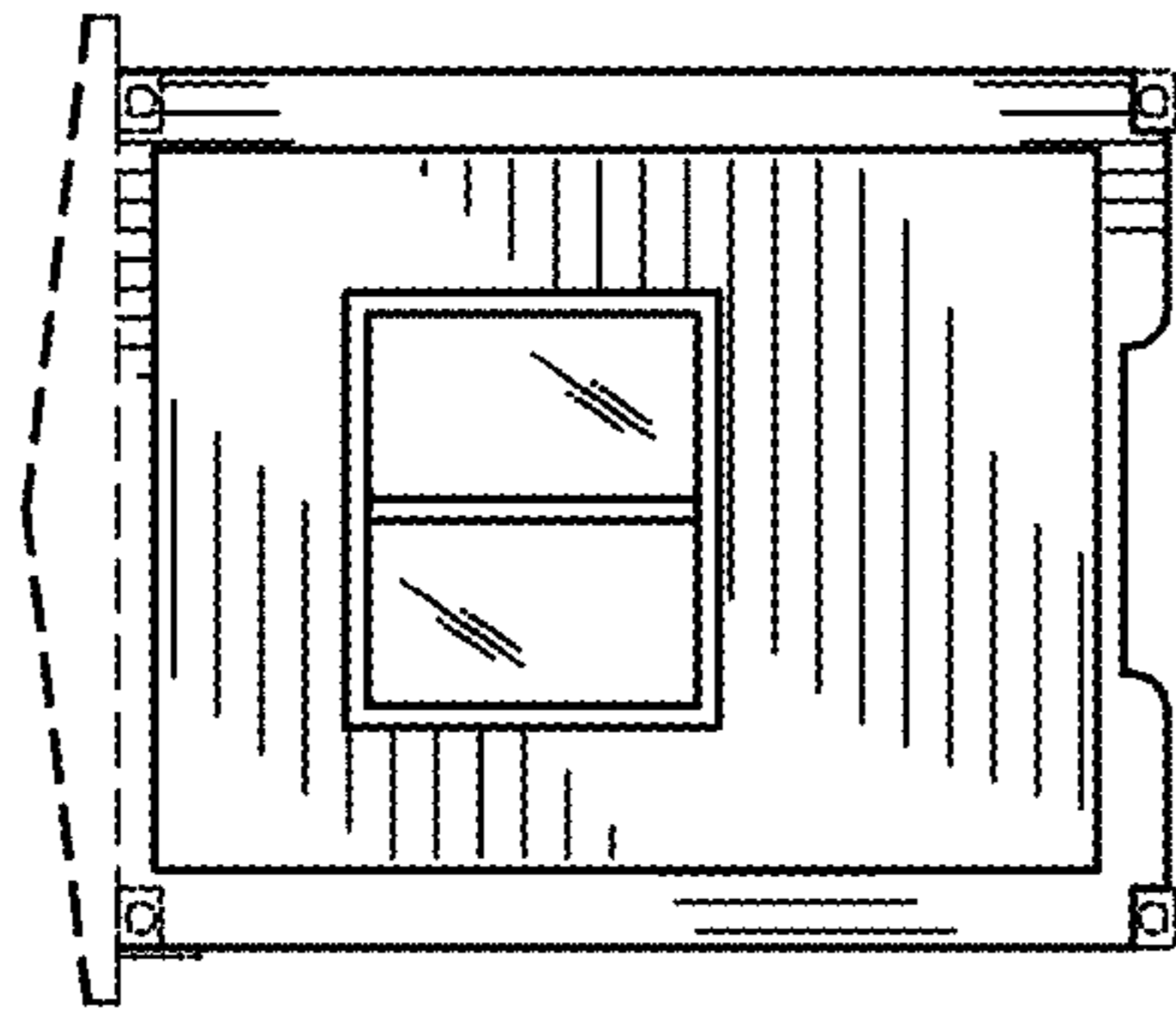


FIG. 4

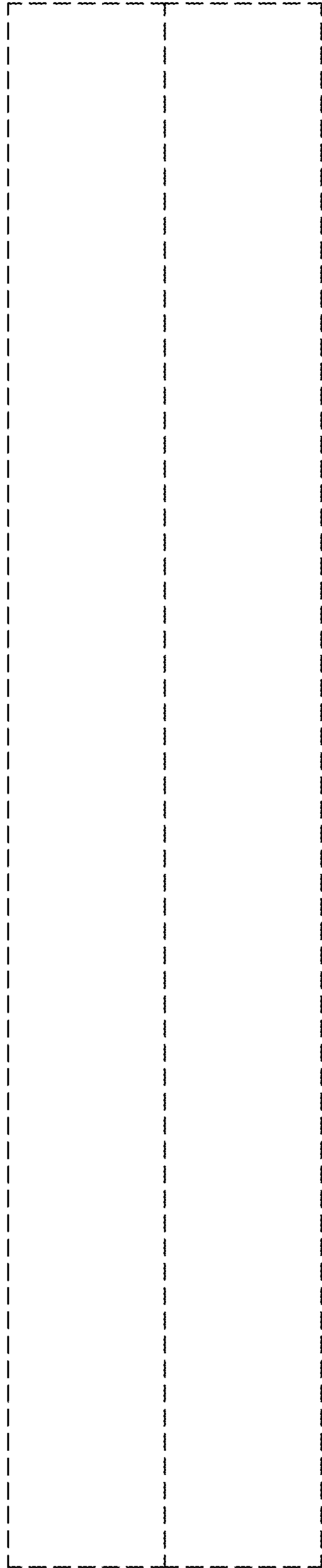


FIG. 5

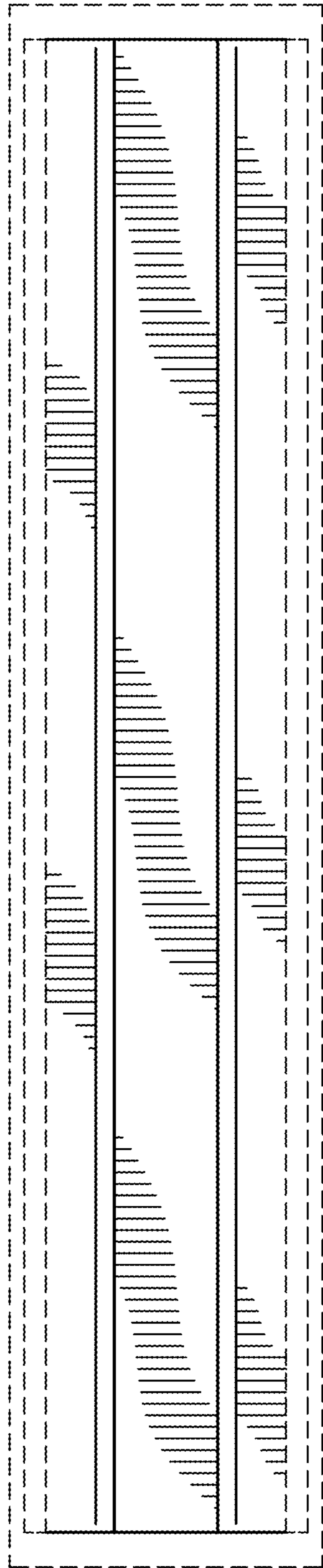


FIG. 6