



US00D781436S

(12) **United States Design Patent** (10) **Patent No.:** **US D781,436 S**
Suzuki et al. (45) **Date of Patent:** **** Mar. 14, 2017**

(54) **SAMPLE CONTAINER**

(74) *Attorney, Agent, or Firm* — Leydig, Voit & Mayer

(71) Applicants: **EIKEN KAGAKU KABUSHIKI KAISHA**, Taito-ku, Tokyo (JP); **Toyo Seikan Co., Ltd.**, Shinagawa-ku, Tokyo (JP)

(57) **CLAIM**

The ornamental design for a sample collector, as shown and described.

(72) Inventors: **Wataru Suzuki**, Tochigi (JP); **Shingo Saito**, Tokyo (JP); **You Yamamori**, Yokohama (JP)

DESCRIPTION

(73) Assignee: **EIKEN KAGAKU KABUSHIKI KAISHA**, Tokyo (JP)

FIG. 1 is a front view of a sample collector of the present invention, showing a semi-transparent body and a lid having a collector on the tip.

(**) Term: **14 Years**

FIG. 2 is a rear view of the sample collector of FIG. 1.

(21) Appl. No.: **29/470,595**

FIG. 3 is a top plan view of the sample collector of FIG. 1.

(22) Filed: **Oct. 23, 2013**

FIG. 4 is a bottom view of the sample collector of FIG. 1.

(30) **Foreign Application Priority Data**

FIG. 5 is a right side view of the sample collector of FIG. 1.

Apr. 25, 2013 (JP) D2013-009329

FIG. 6 is a left side view of the sample collector of FIG. 1.

(51) **LOC (10) Cl.** **24-02**

FIG. 7 is a perspective view of the sample collector of FIG. 1.

(52) **U.S. Cl.**

FIG. 8 is a front view of the lid of the sample collector of FIG. 1.

USPC **D24/226**

FIG. 9 is a top plan view of the lid of the sample collector of FIG. 1.

(58) **Field of Classification Search**

FIG. 10 is a front view of the sample collector of FIG. 1 with the lid removed.

USPC D24/108, 112, 121-123, 135-136, 141, D24/216, 222, 224; D10/81;

FIG. 11 is a cross-sectional view of the sample collector taken along line 11-11 located in FIG. 1.

(Continued)

FIG. 12 is an enlarged cross-sectional view of the sample collector taken along line 12-12 located in FIG. 10.

(56) **References Cited**

FIG. 13 is an enlarged cross-sectional view of the sample collector taken along line 13-13 located in FIG. 1.

U.S. PATENT DOCUMENTS

FIG. 14 is a cross-sectional perspective view of the sample collector taken along line 14-14 located in FIG. 10.

D266,358 S * 9/1982 Kerns D24/224

FIG. 15 is an enlarged partial cross sectional perspective view of portion the sample collector taken between the lines identified as 15-15 located in FIG. 14; and,

5,066,463 A * 11/1991 Chang A61B 10/0038

FIG. 16 is an enlarged partial cross-sectional perspective view of a portion the sample collector taken along line 16-16 located in FIG. 14.

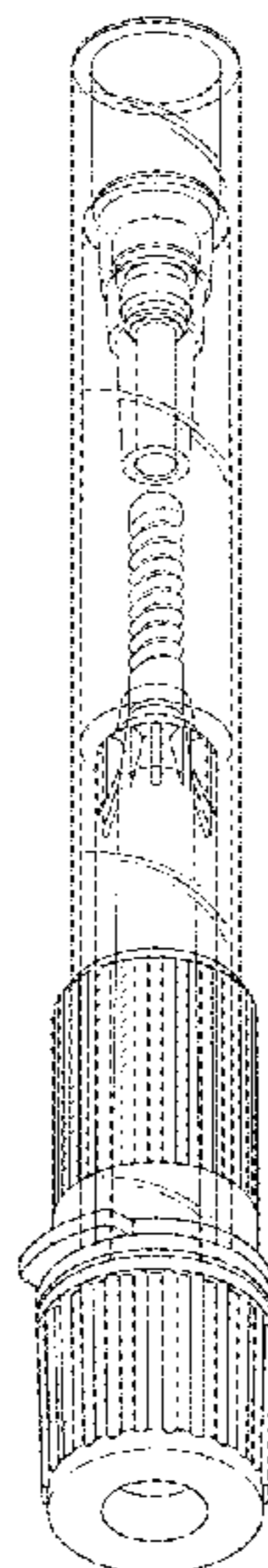
422/408

(Continued)

Primary Examiner — Ian Simmons

1 Claim, 16 Drawing Sheets

Assistant Examiner — Mark Cavanna



(58) **Field of Classification Search**

USPC D9/503–504, 529, 723–724;
 206/528–529; 73/864.91, 863.23;
 435/288.1, 34; 422/408, 547, 423, 550,
 422/549, 554, 560, 558, 561
 CPC B65D 35/22; B65D 51/32; B01L 3/505;
 B01L 3/5082; B01L 9/06; C12M 23/08;
 G01N 35/1002; G01N 33/528; G01N
 1/08; G01N 1/18; A61B 17/00491; A61B
 10/0038; A61B 10/0096; A61B 10/0045;
 A61M 5/19; A61M 3/0279

See application file for complete search history.

(56) **References Cited**

U.S. PATENT DOCUMENTS

5,149,506 A * 9/1992 Skiba A61B 10/0038
 209/17
 5,198,365 A * 3/1993 Grow G01N 33/528
 436/17
 5,431,884 A * 7/1995 McDonough A61B 10/0038
 209/17
 5,440,942 A * 8/1995 Hubbard G01N 1/08
 73/863.23

5,624,554 A * 4/1997 Faulkner A61B 10/0038
 210/232
 5,730,147 A * 3/1998 Craig A61B 10/0038
 600/549
 6,780,160 B2 * 8/2004 Zhou A61B 10/0096
 600/562
 7,338,634 B2 * 3/2008 Chang A61B 10/0038
 422/408
 D580,070 S * 11/2008 Riley D24/216
 7,854,895 B2 * 12/2010 Gallagher A61B 10/0045
 422/423
 D631,169 S * 1/2011 Cheeley D24/224
 D667,960 S * 9/2012 Wilkinson D24/224
 D687,564 S * 8/2013 Yang D24/224
 D743,046 S * 11/2015 Poll D24/224
 D743,571 S * 11/2015 Jackson D24/216
 2006/0115385 A1 * 6/2006 Jon Meyer A61B 10/0096
 422/547
 2012/0028296 A1 * 2/2012 Poll A61B 10/0038
 435/34
 2013/0216453 A1 * 8/2013 Eldridge A61B 10/0038
 422/550
 2013/0344615 A1 * 12/2013 Bodner G01N 1/18
 422/547
 2014/0243706 A1 * 8/2014 El-Fahmawi A61B 10/0045
 600/572

* cited by examiner

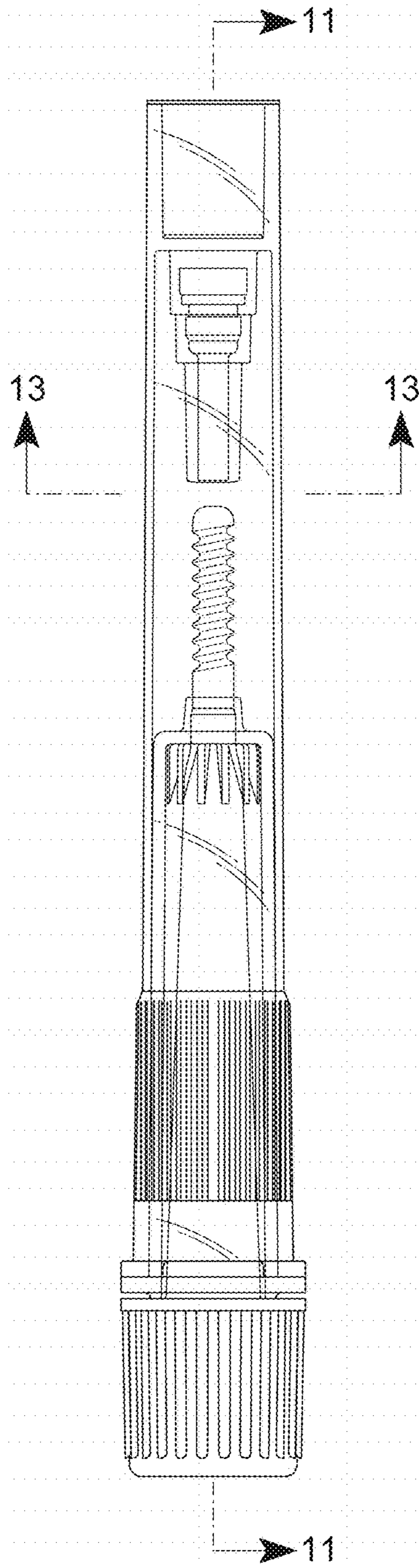


FIGURE 1

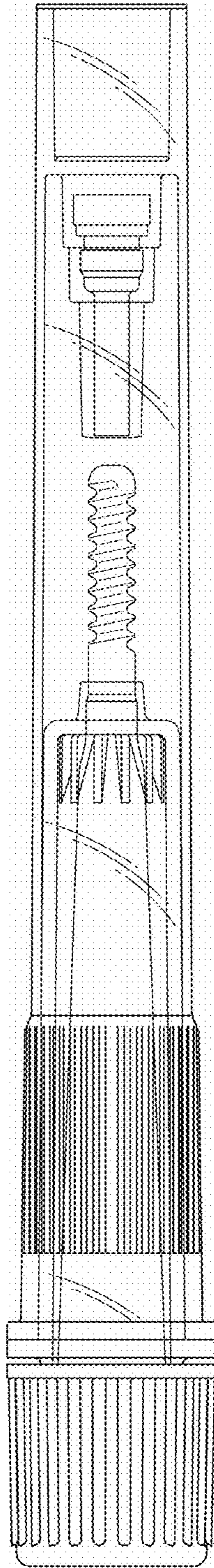


FIGURE 2

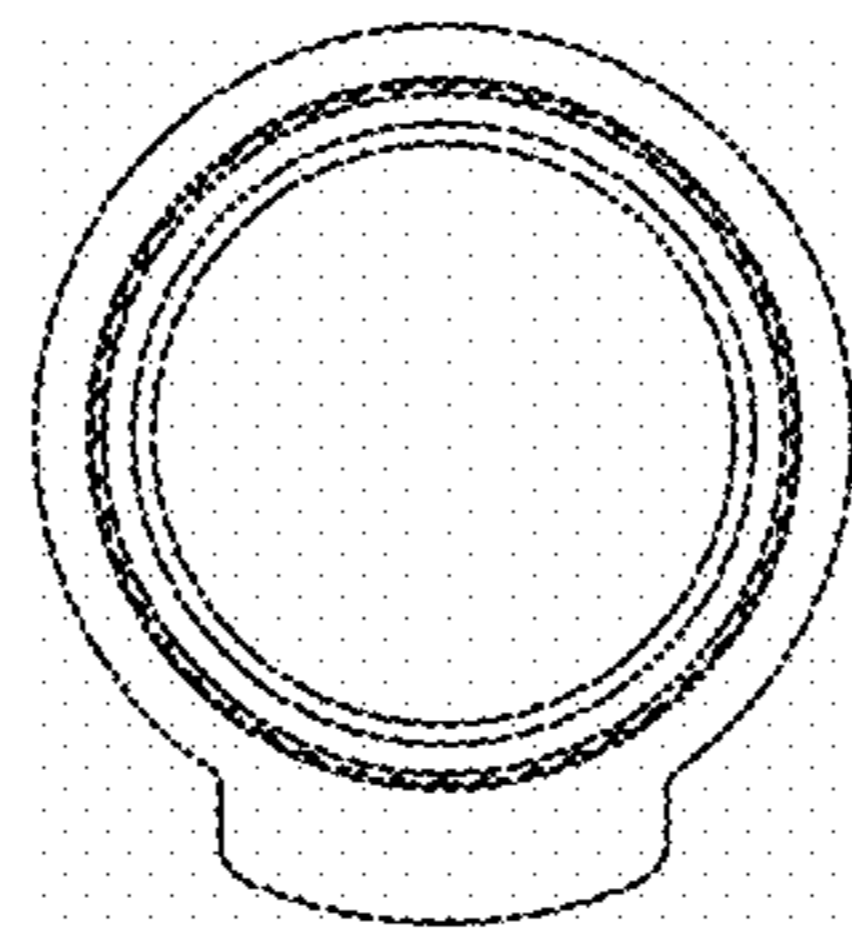


FIGURE 3

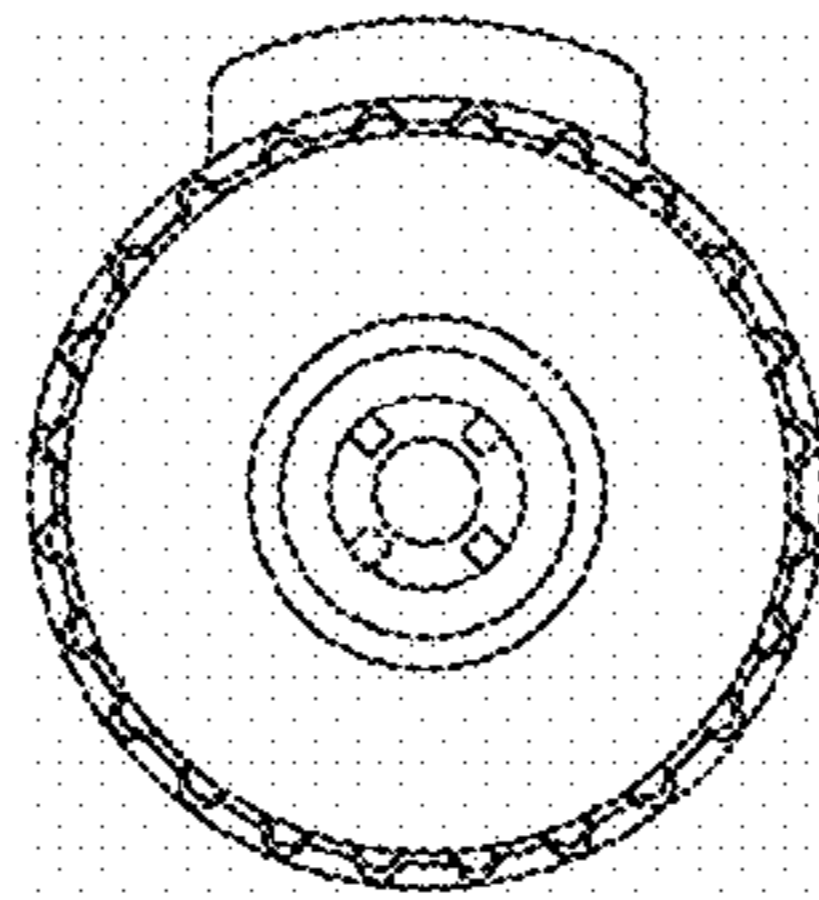


FIGURE 4

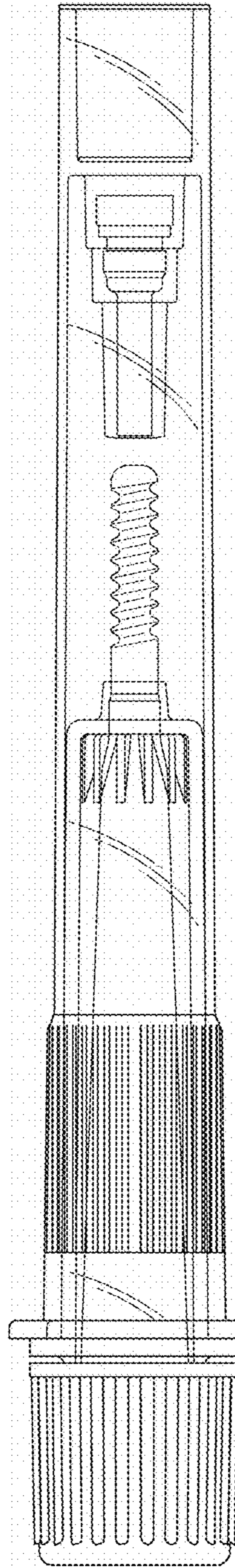


FIGURE 5

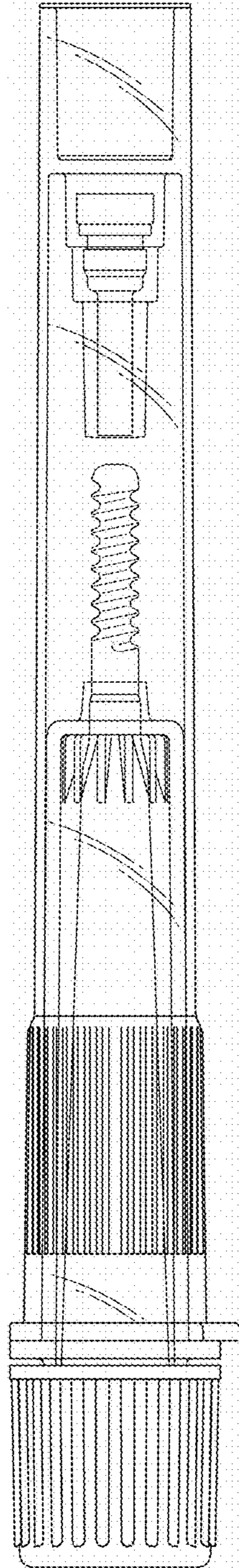


FIGURE 6

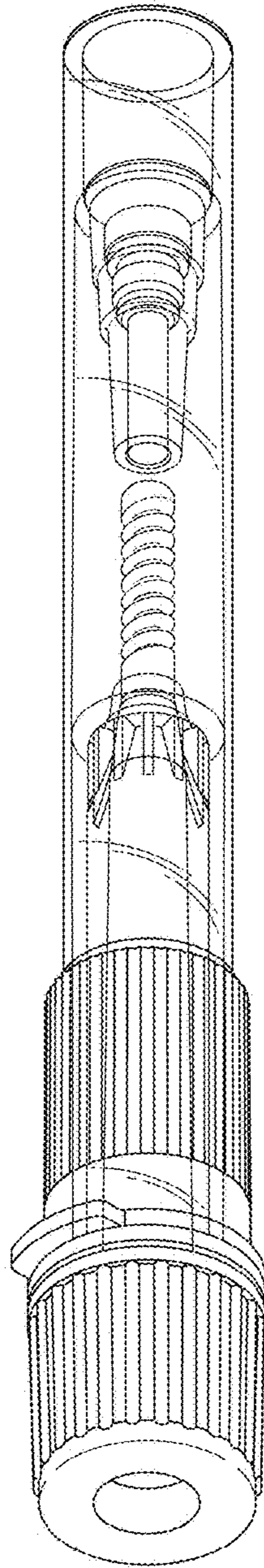


FIGURE 7

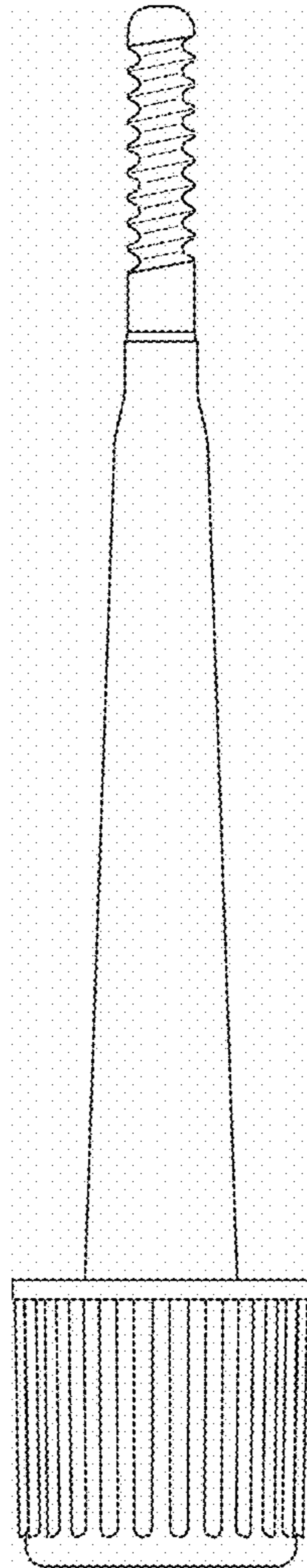


FIGURE 8

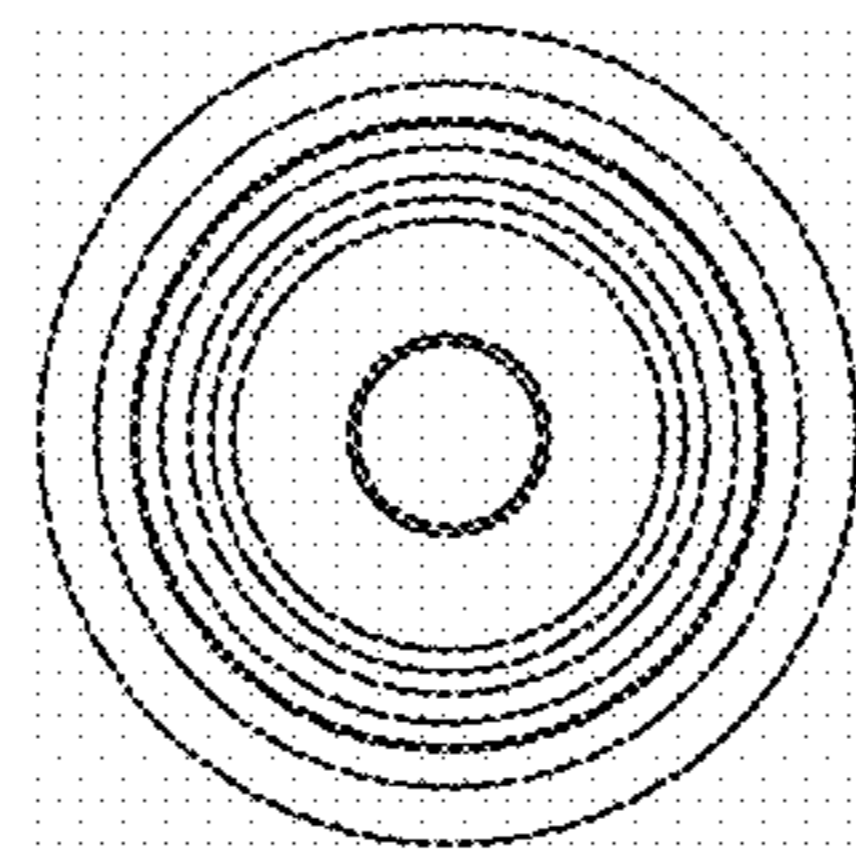


FIGURE 9

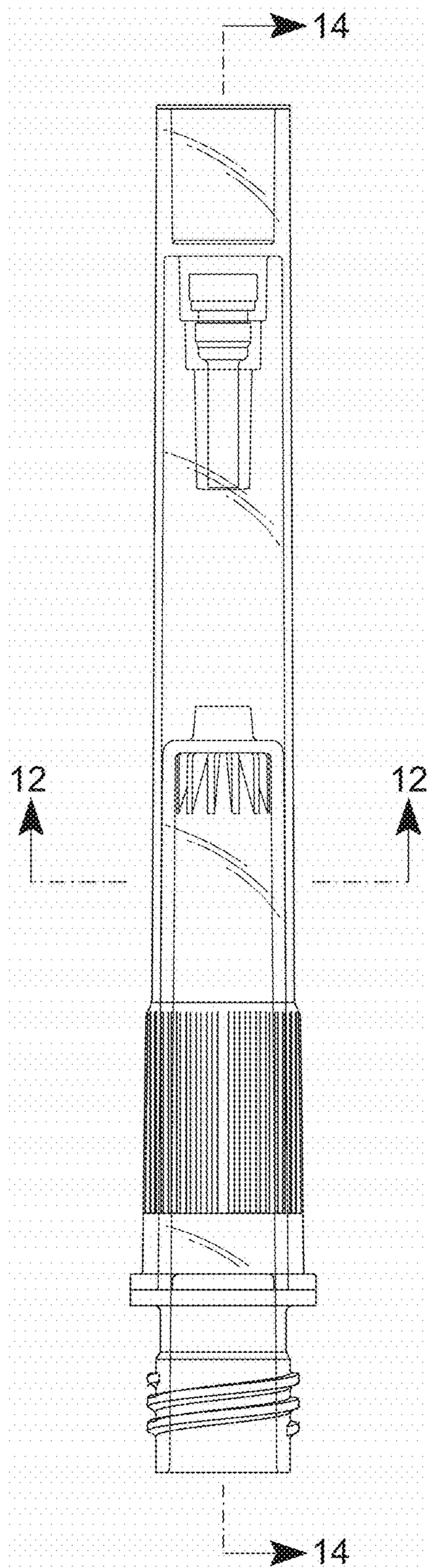


FIGURE 10

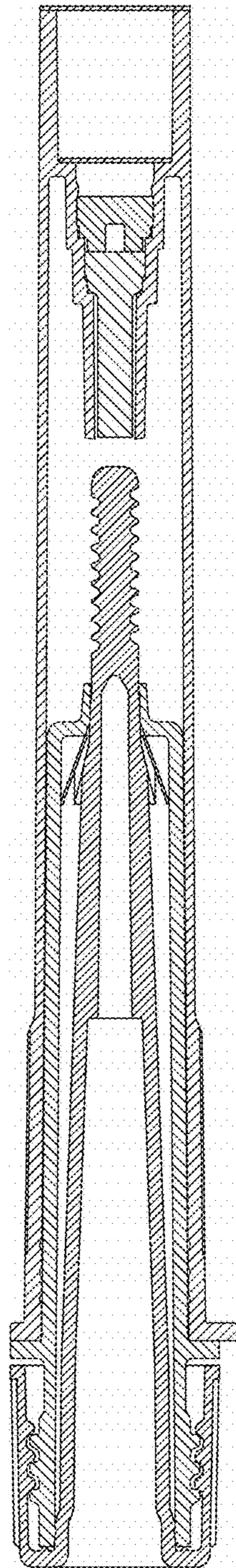


FIGURE 11

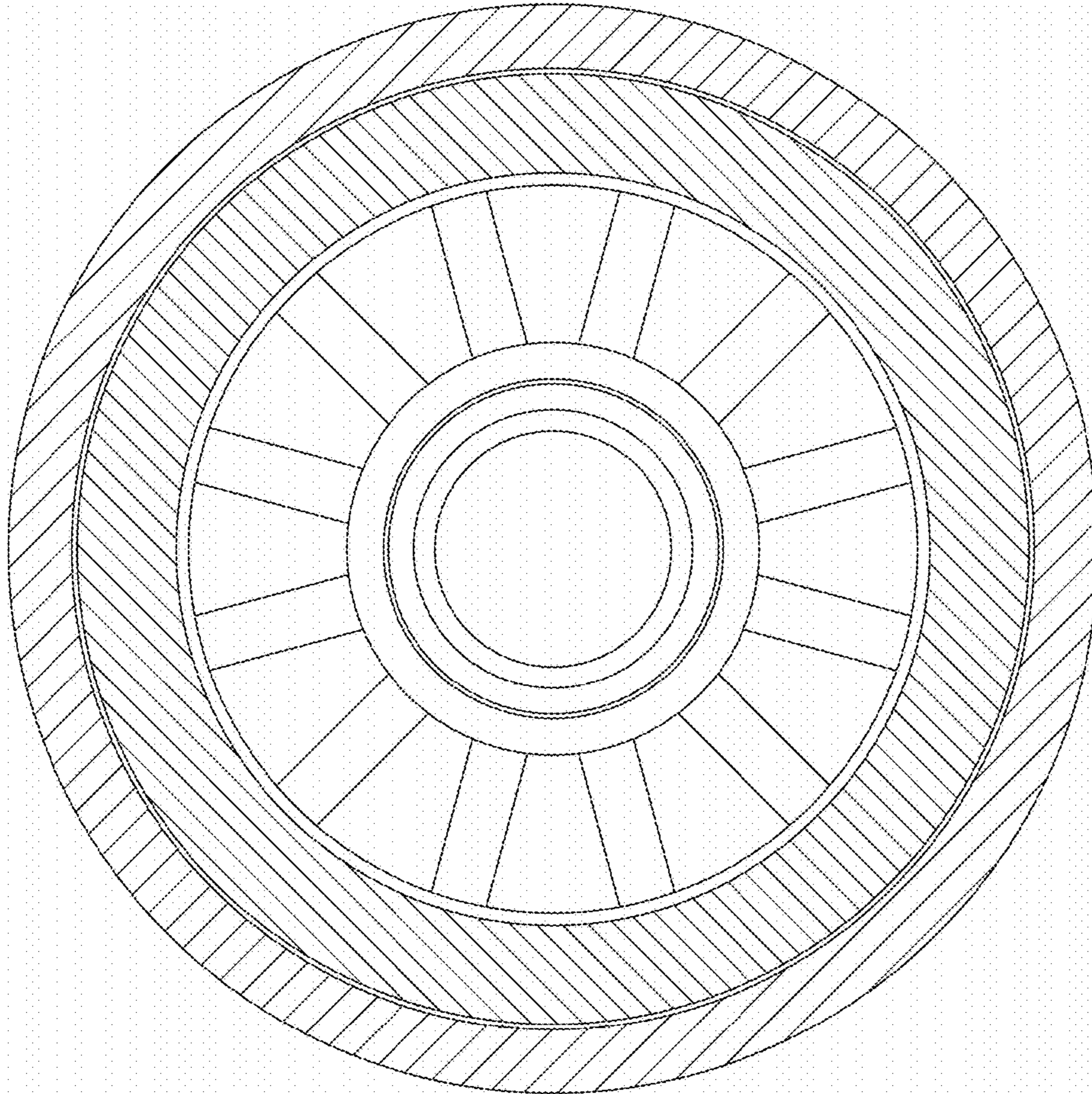


FIGURE 12

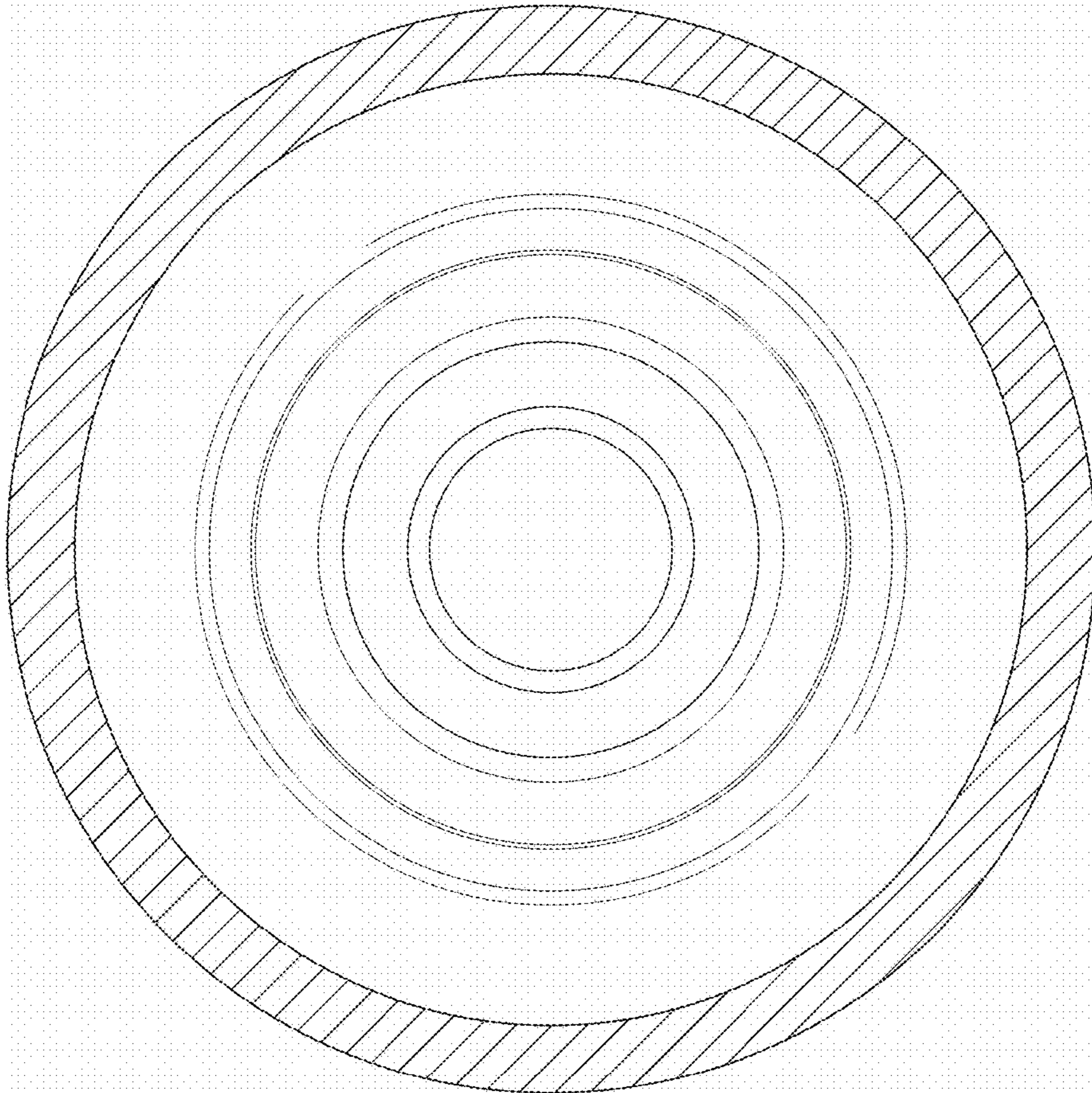


FIGURE 13

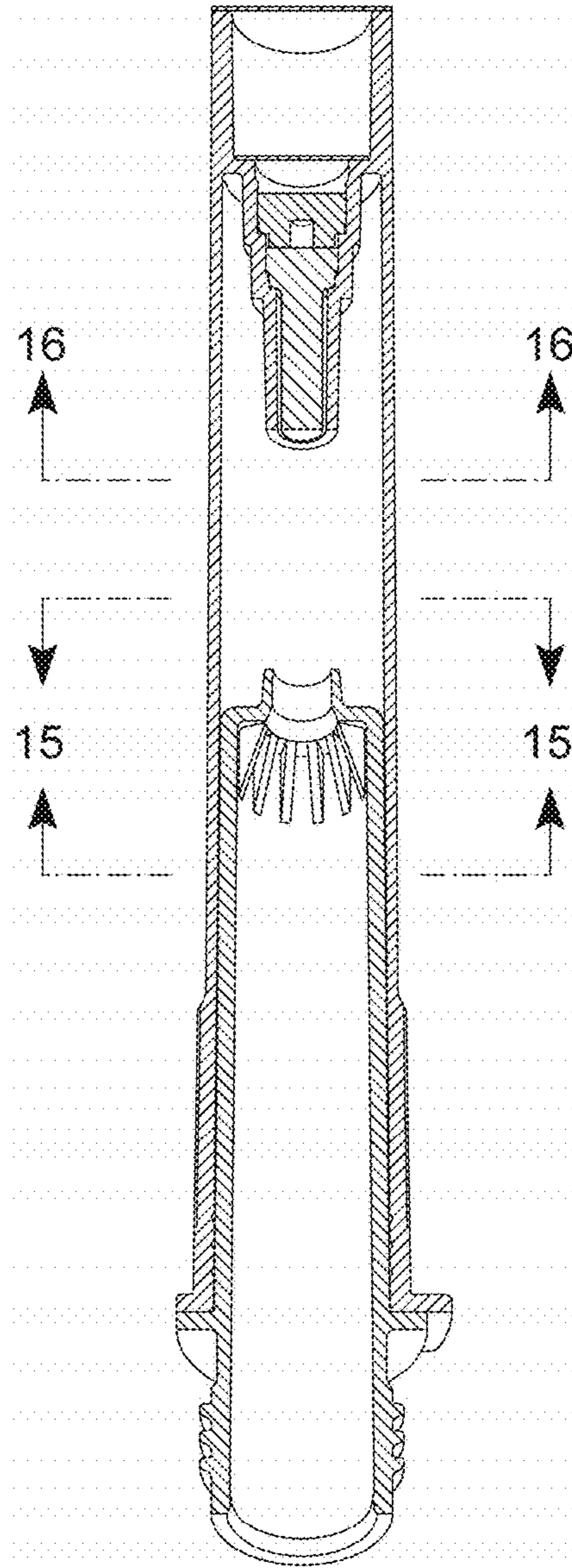


FIGURE 14

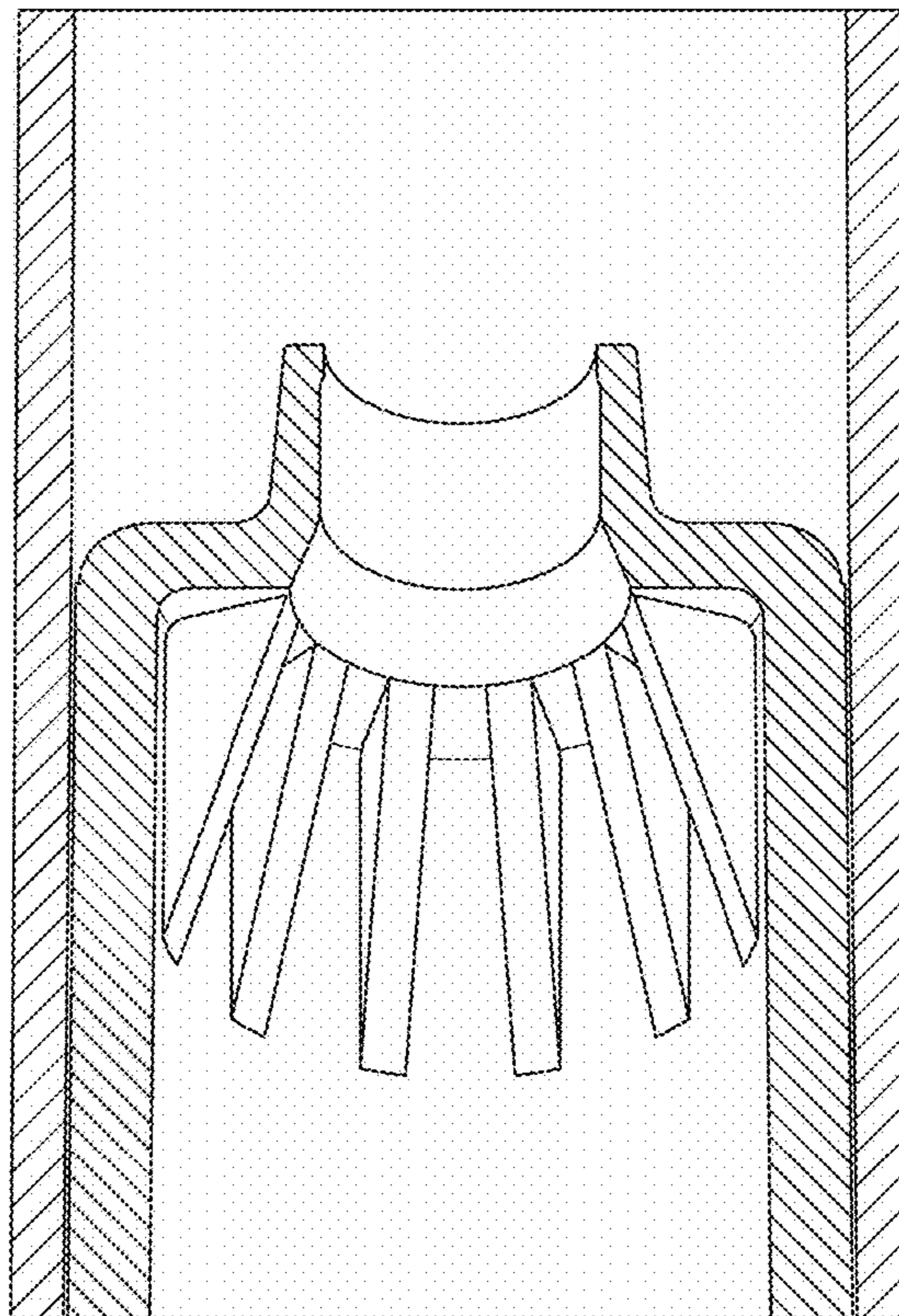


FIGURE 15

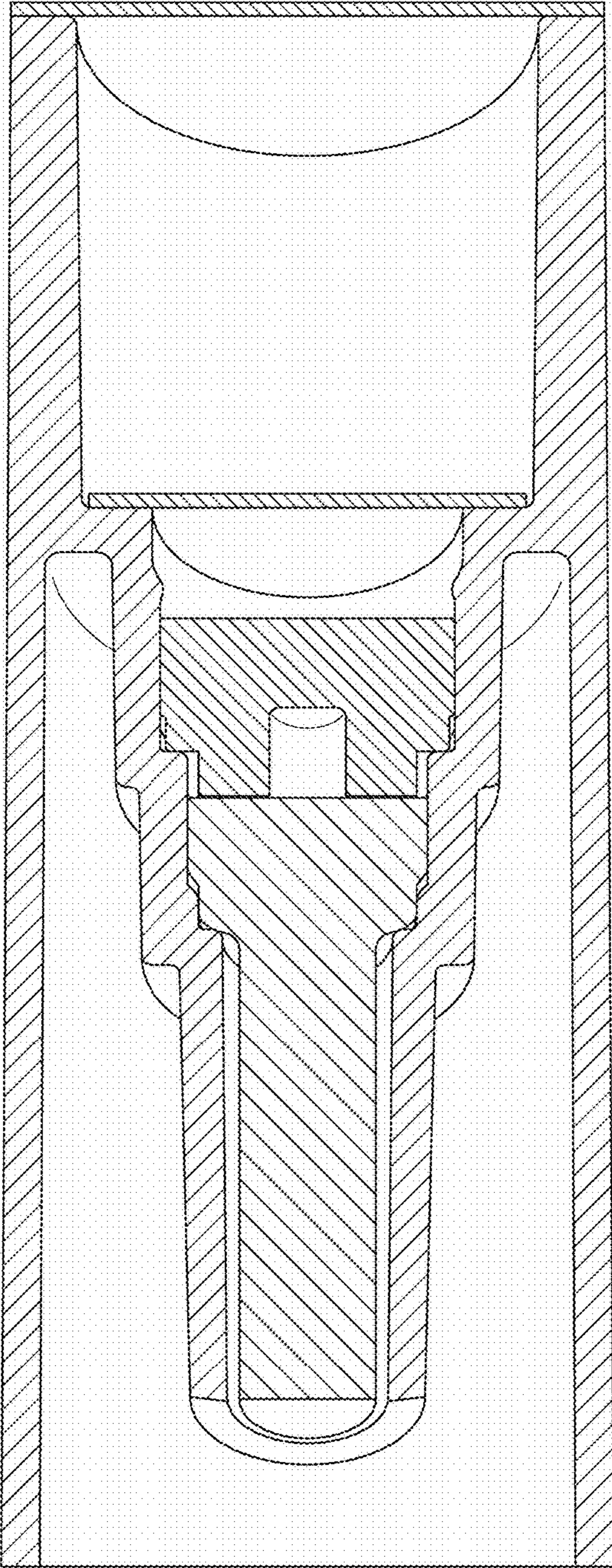


FIGURE 16