



US00D781432S

(12) **United States Design Patent**  
**Larsen et al.**

(10) **Patent No.:** **US D781,432 S**  
(45) **Date of Patent:** **\*\* Mar. 14, 2017**

(54) **SPA SHELL**

D616,999 S \* 6/2010 Larsen ..... D24/204  
D620,600 S \* 7/2010 Larsen ..... D24/204  
D624,657 S \* 9/2010 Larsen ..... D24/204  
D755,402 S \* 5/2016 Larsen ..... D24/204

(71) Applicant: **WATKINS MANUFACTURING CORPORATION**, Vista, CA (US)

\* cited by examiner

(72) Inventors: **Christopher Carl Larsen**, Vista, CA (US); **Sage Nathan Baker**, Cardiff, CA (US)

*Primary Examiner* — Anhdao Doan

(74) *Attorney, Agent, or Firm* — Kirk W. Rudolph

(73) Assignee: **Watkins Manufacturing Corporation**, Vista, CA (US)

(57) **CLAIM**

The ornamental design for a spa shell, as shown and described.

(\*\*) Term: **15 Years**

**DESCRIPTION**

(21) Appl. No.: **29/548,109**

FIG. 1 is a perspective view of a spa shell showing our new design;

(22) Filed: **Dec. 10, 2015**

FIG. 2 is another perspective view thereof;

(51) **LOC (10) Cl.** ..... **23-02**

FIG. 3 is a top plan view thereof;

(52) **U.S. Cl.**  
USPC ..... **D24/204**

FIG. 4 is a cross-sectional view thereof, taken along line 4-4 of FIG. 3;

(58) **Field of Classification Search**  
USPC ..... D24/201–205, 213; D23/276–278,  
D23/280.1–280.3; D25/2

FIG. 5 is a cross-sectional view thereof, taken along line 5-5 of FIG. 3;

CPC ..... A61H 33/6005; A61H 33/6021; A61H 33/6089; A61H 33/6094; A61H 2035/004; A61H 35/006; A47K 3/022; A47K 3/062  
See application file for complete search history.

FIG. 6 is a cross-sectional view thereof, taken along line 6-6 of FIG. 3; and,

FIG. 7 is a cross-sectional view thereof, taken along line 7-7 of FIG. 3.

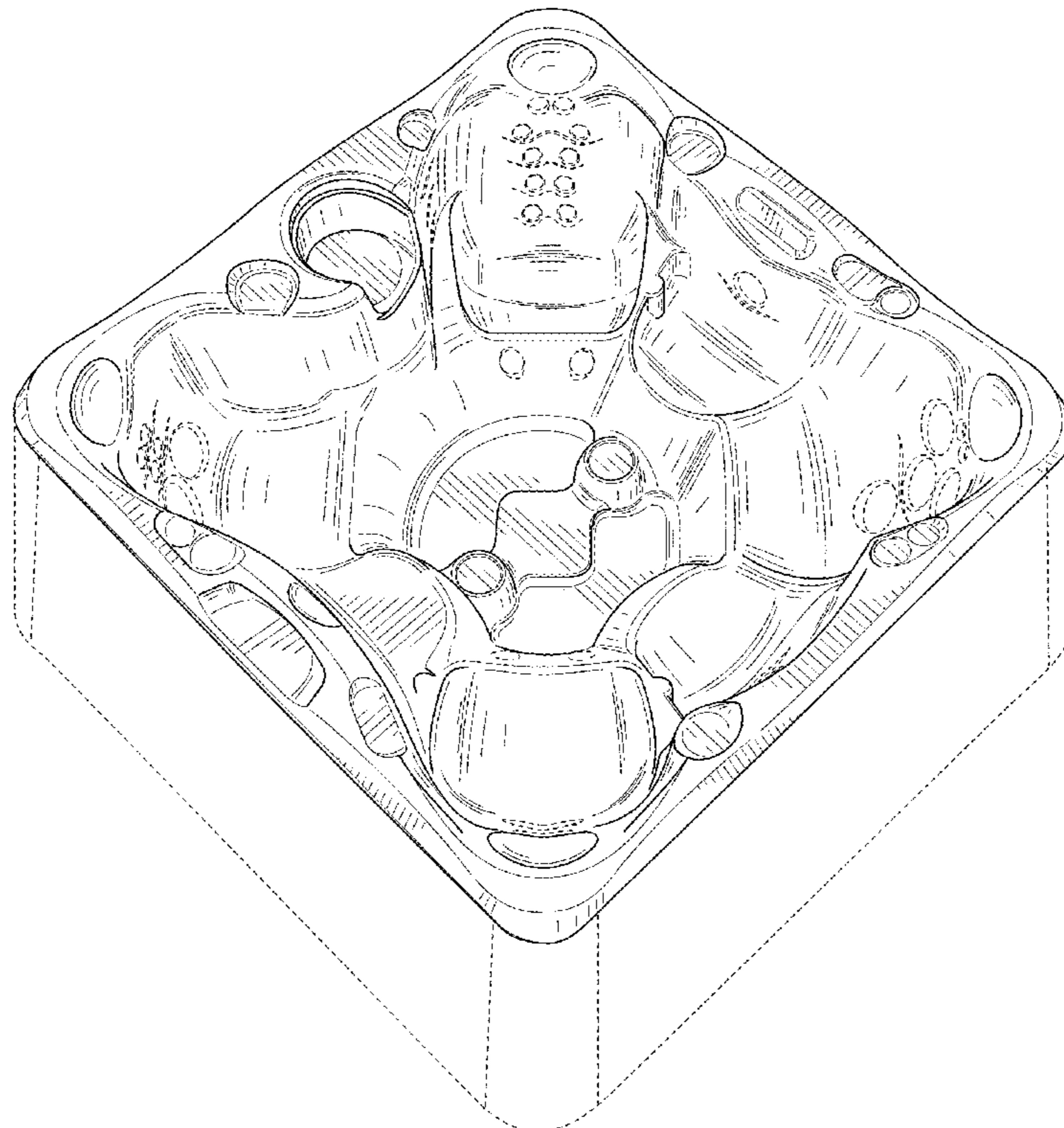
(56) **References Cited**

The broken lines immediately adjacent the shaded areas represent the bounds of the claim, while all other broken lines are directed to environment and are for illustrative purposes only; the broken lines form no part of the claimed design.

**U.S. PATENT DOCUMENTS**

D527,828 S \* 9/2006 Larsen ..... D24/204  
D542,925 S \* 5/2007 Larsen ..... D24/204

**1 Claim, 5 Drawing Sheets**



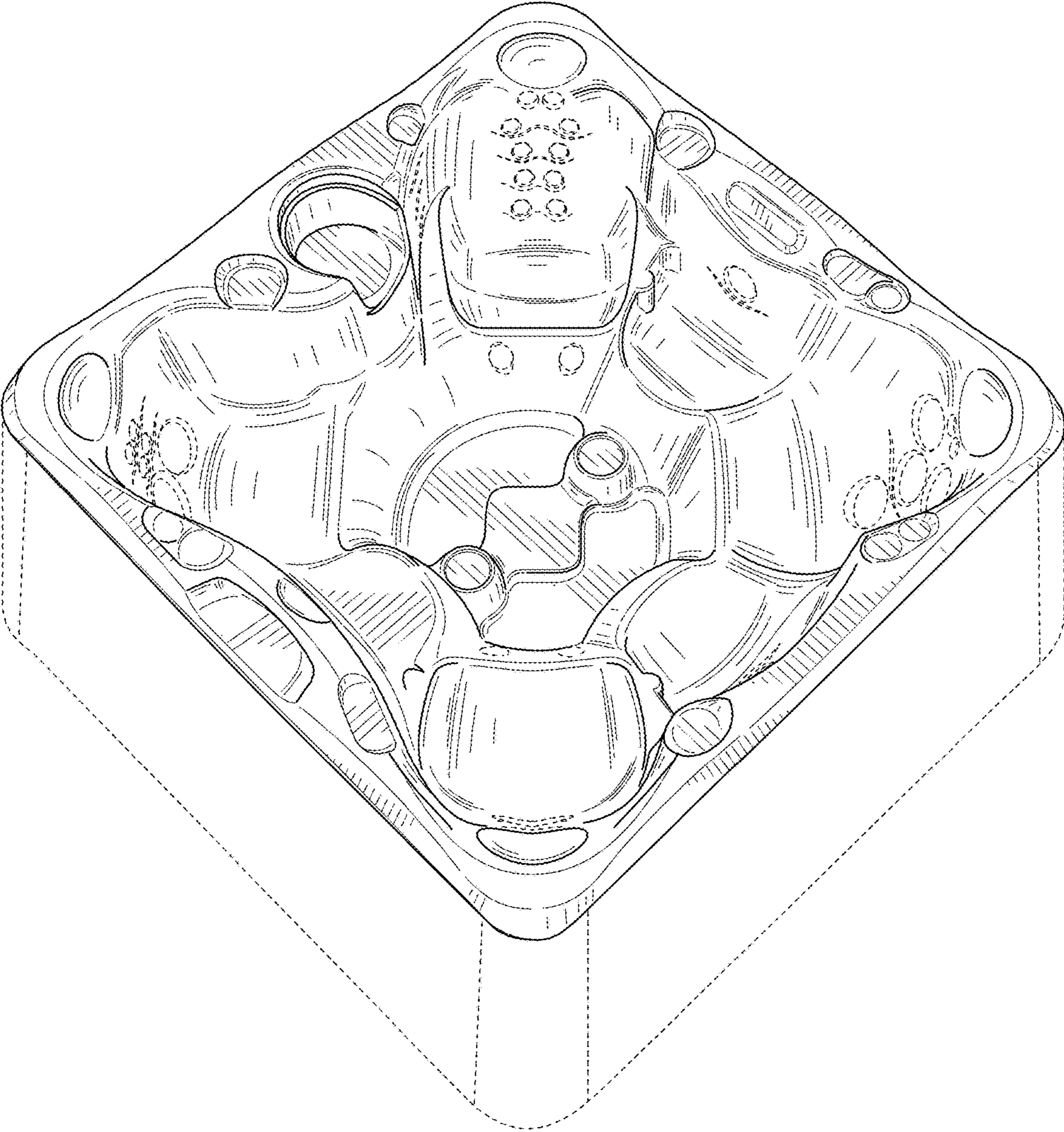


FIG. 1

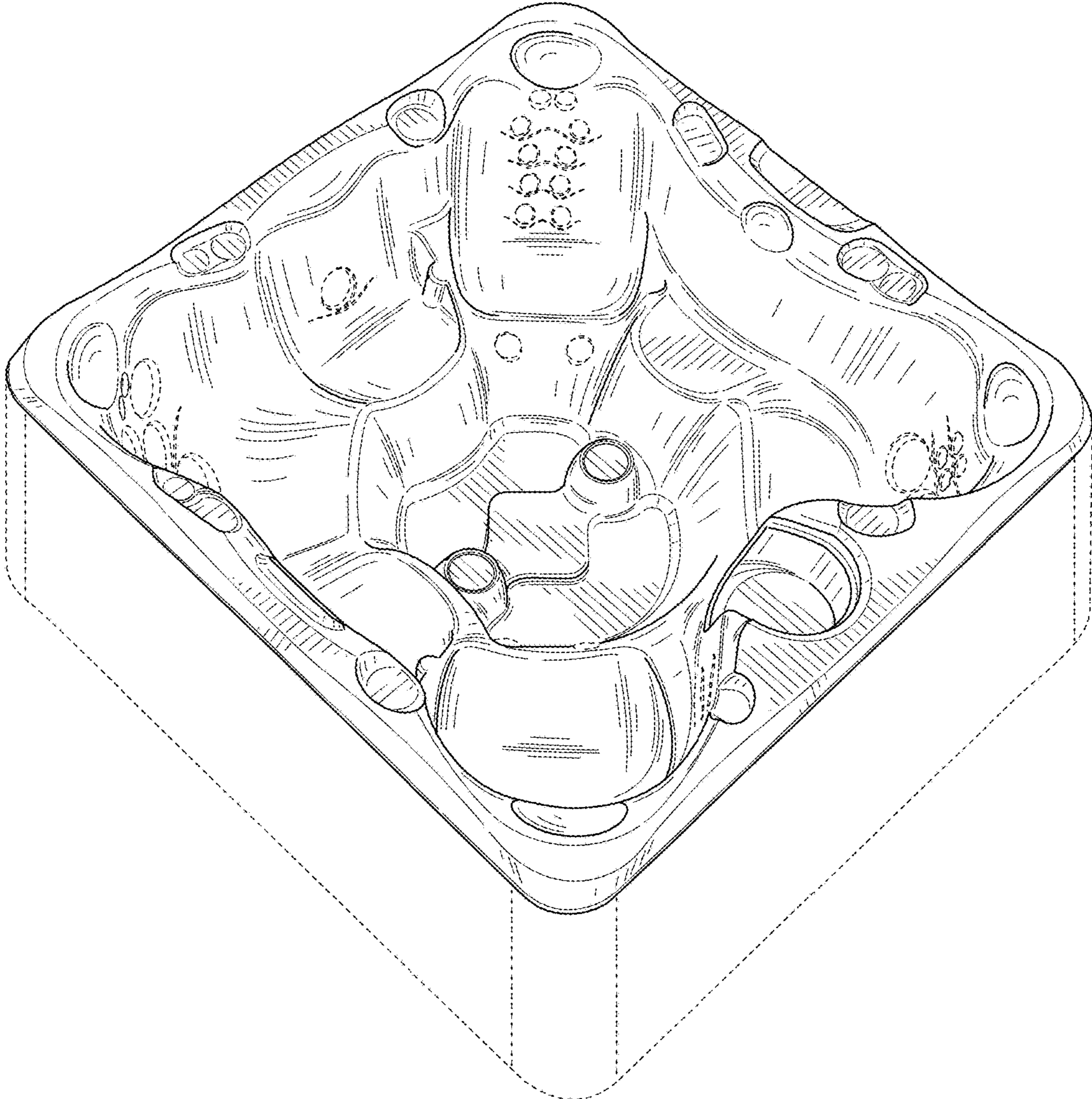


FIG. 2

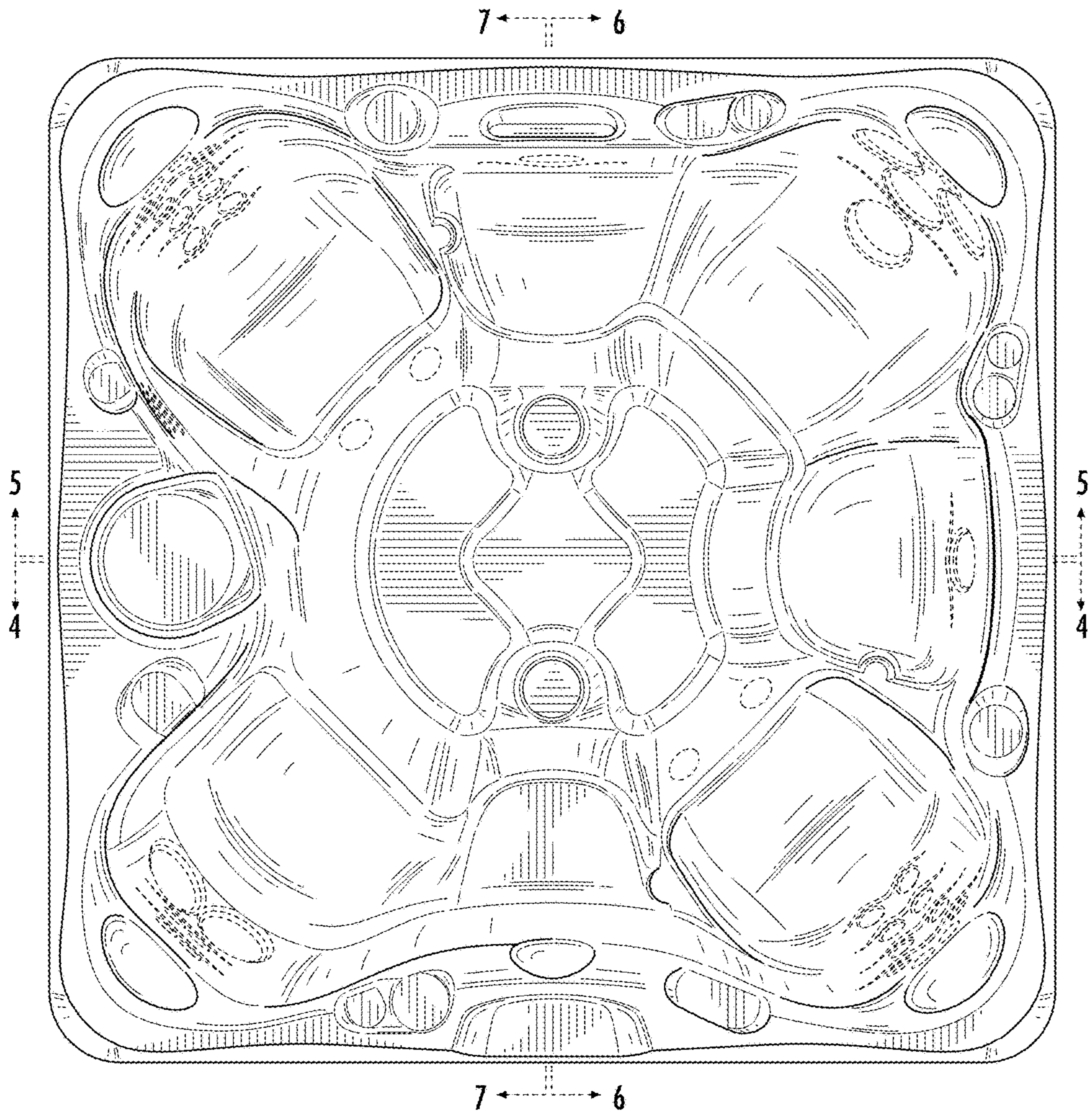


FIG. 3

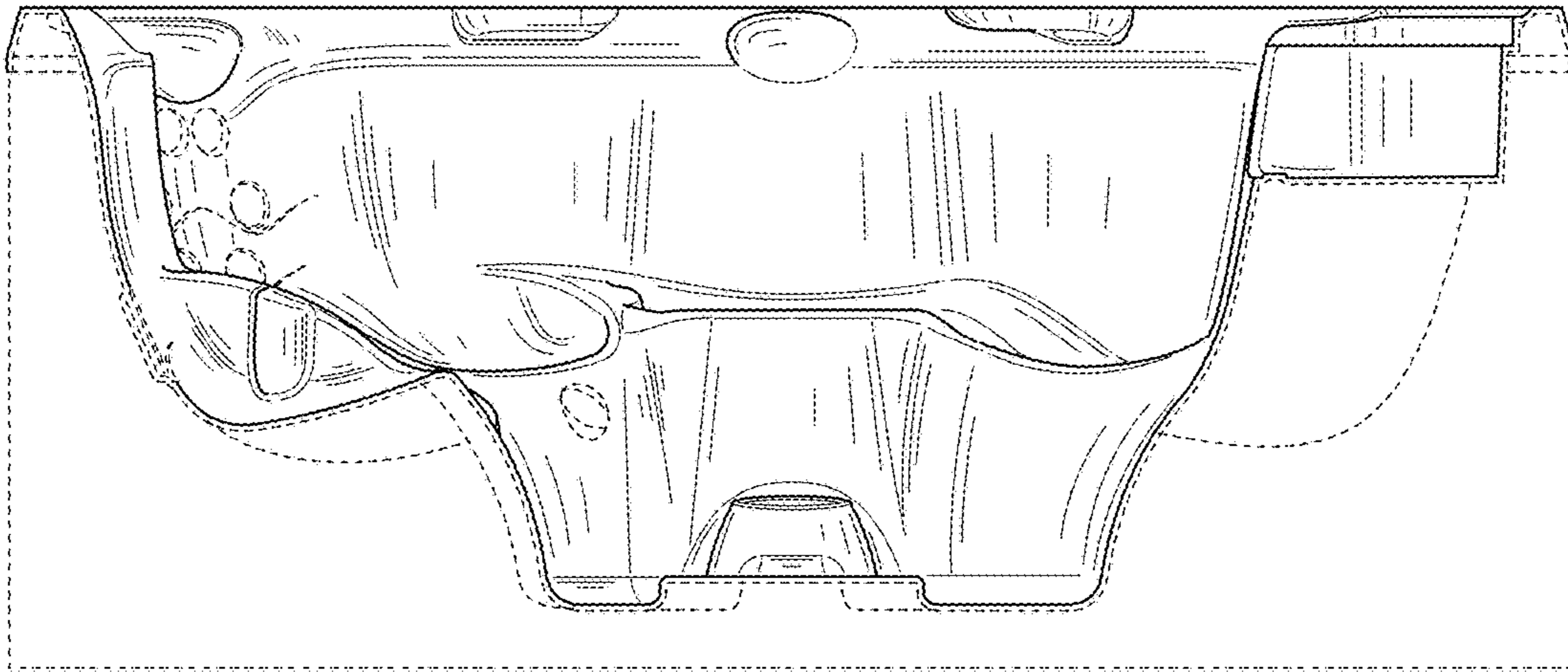


FIG. 4

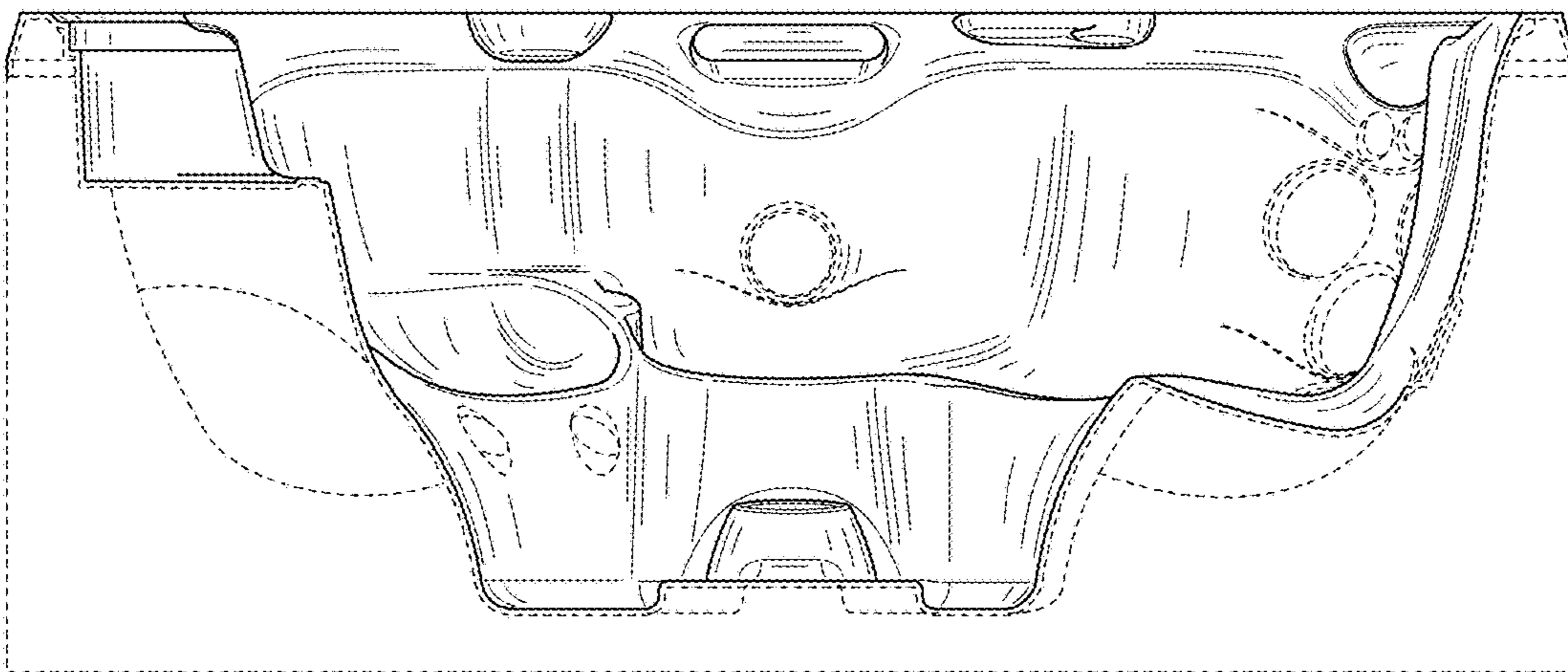


FIG. 5

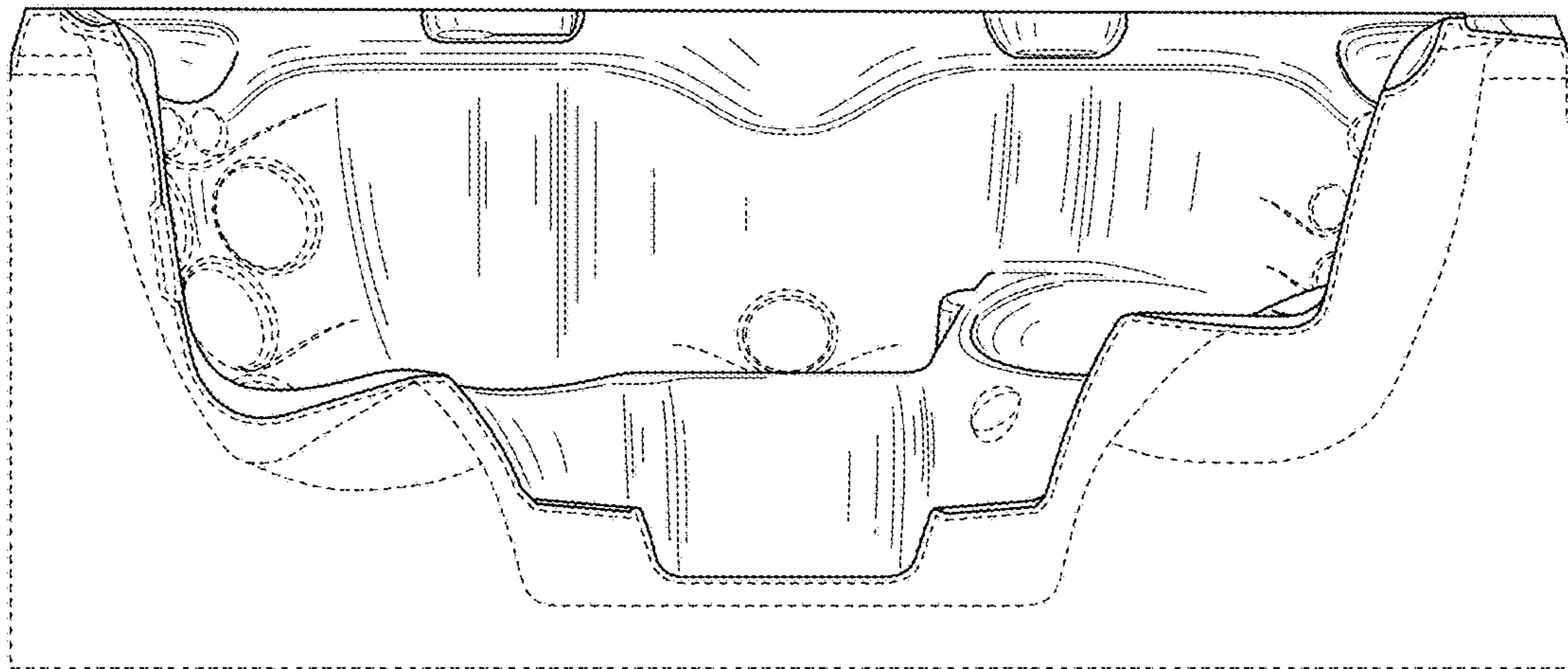


FIG. 6

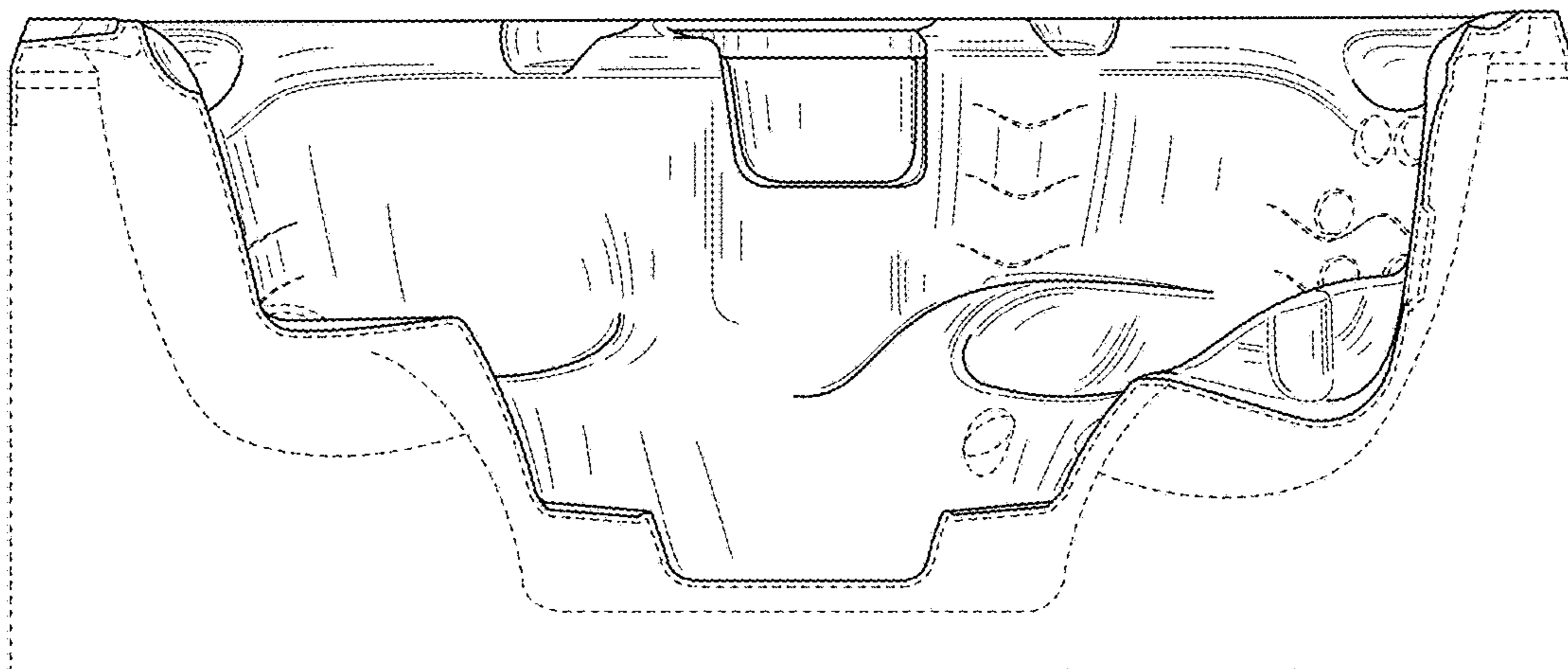


FIG. 7

UNITED STATES PATENT AND TRADEMARK OFFICE  
**CERTIFICATE OF CORRECTION**

PATENT NO. : D781,432 S  
APPLICATION NO. : 29/548109  
DATED : March 14, 2017  
INVENTOR(S) : Larsen et al.

Page 1 of 1

It is certified that error appears in the above-identified patent and that said Letters Patent is hereby corrected as shown below:

On the Title Page

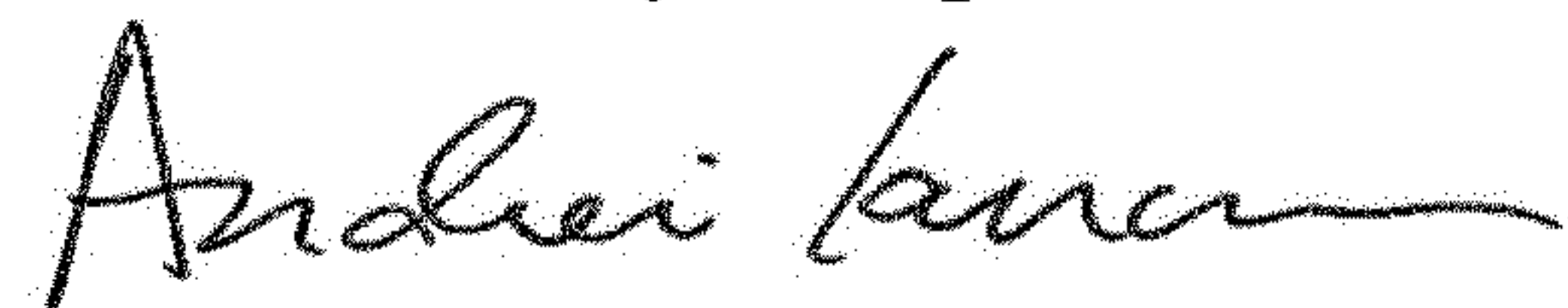
Item [75], insert:

-- Fernando Pardo, Newbury Park, CA;

Alexandra McGill, Los Angeles, CA;

Martti Johannes Lampela, Woodland Hills, CA --

Signed and Sealed this  
Ninth Day of April, 2019



Andrei Iancu  
*Director of the United States Patent and Trademark Office*