



US00D781431S

(12) **United States Design Patent** (10) **Patent No.:** **US D781,431 S**  
**Larsen et al.** (45) **Date of Patent:** **\*\* Mar. 14, 2017**

(54) **SPA SHELL**

D726,328 S \* 4/2015 Larsen ..... D24/204  
D755,402 S \* 5/2016 Larsen ..... D24/204  
2008/0148471 A1\* 6/2008 Tatum ..... A61H 33/0087  
4/541.6

(71) Applicant: **WATKINS MANUFACTURING CORPORATION**, Vista, CA (US)

\* cited by examiner

(72) Inventors: **Christopher Carl Larsen**, Vista, CA (US); **Sage Nathan Baker**, Cardiff, CA (US)

*Primary Examiner* — Anhdao Doan

(74) *Attorney, Agent, or Firm* — Kirk W. Rudolph

(73) Assignee: **Watkins Manufacturing Corporation**, Vista, CA (US)

(57) **CLAIM**

(\*\*) Term: **15 Years**

The ornamental design for a spa shell, as shown and described.

(21) Appl. No.: **29/548,104**

**DESCRIPTION**

(22) Filed: **Dec. 10, 2015**

(51) **LOC (10) Cl.** ..... **23-02**

(52) **U.S. Cl.**

USPC ..... **D24/204**

(58) **Field of Classification Search**

USPC ..... D24/201–205, 213; D23/276–278, D23/280.1–280.3; D25/2

CPC ..... A61H 33/6005; A61H 33/6021; A61H 33/6089; A61H 33/6094; A61H 2035/004;

A61H 35/006; A47K 3/022; A47K 3/062  
See application file for complete search history.

FIG. 1 is a perspective view of a spa shell showing our new design;  
FIG. 2 is another perspective view thereof;  
FIG. 3 is a top plan view thereof;  
FIG. 4 is a cross-sectional view thereof, taken along line 4-4 of FIG. 3;  
FIG. 5 is a cross-sectional view thereof, taken along line 5-5 of FIG. 3;  
FIG. 6 is a cross-sectional view thereof, taken along line 6-6 of FIG. 3;  
FIG. 7 is a cross-sectional view thereof, taken along line 7-7 of FIG. 3;  
FIG. 8 is a cross-sectional view thereof, taken along line 8-8 of FIG. 3; and,  
FIG. 9 is a cross-sectional view thereof, taken along line 9-9 of FIG. 3.

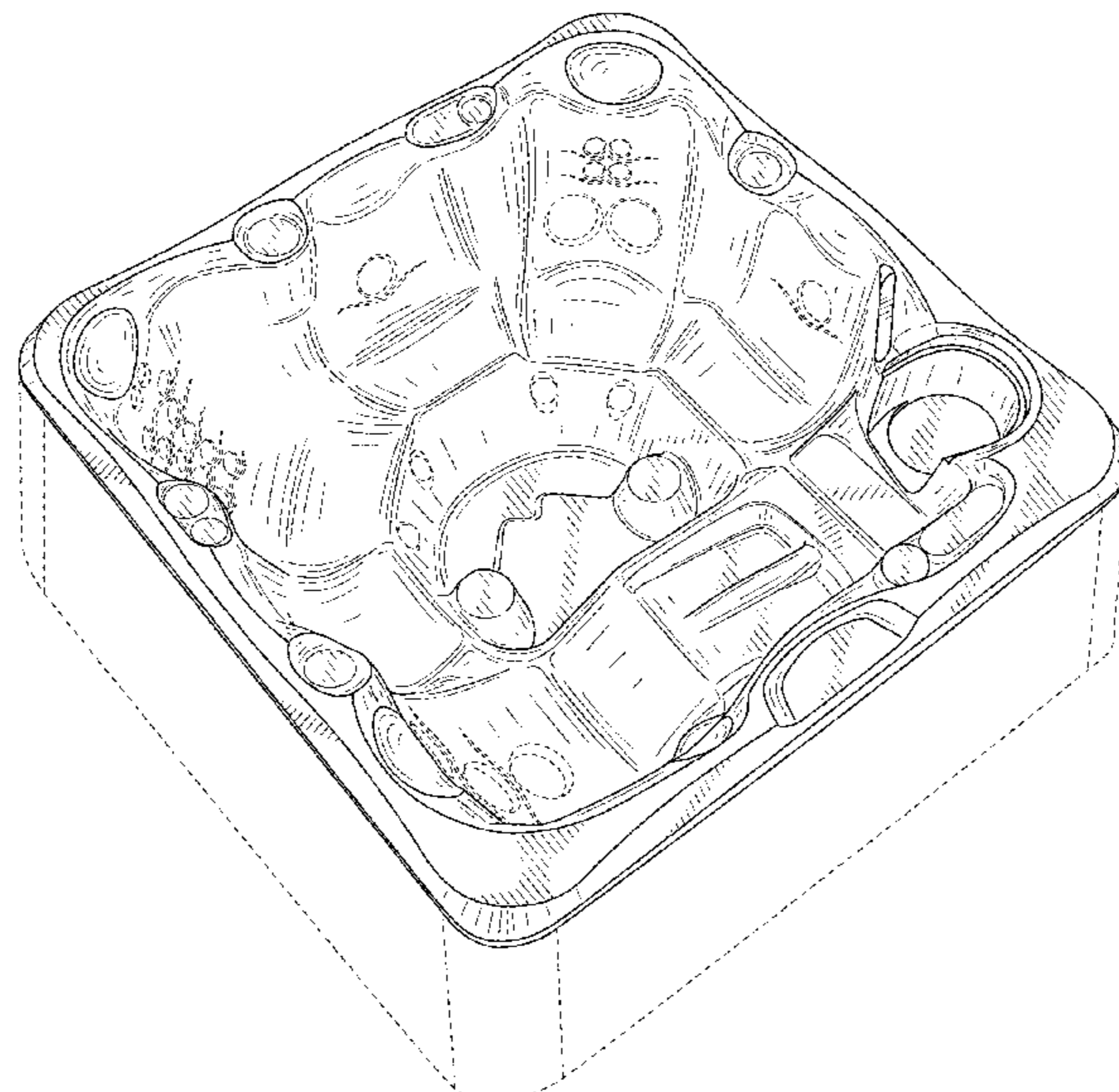
(56) **References Cited**

U.S. PATENT DOCUMENTS

D542,416 S \* 5/2007 Larsen ..... D24/204  
D616,999 S \* 6/2010 Larsen ..... D24/204  
D620,599 S \* 7/2010 Larsen ..... D24/204  
D621,946 S \* 8/2010 Larsen ..... D24/204  
D621,947 S \* 8/2010 Larsen ..... D24/204  
D624,657 S \* 9/2010 Larsen ..... D24/204  
D634,019 S \* 3/2011 Larsen ..... D24/204  
D641,889 S \* 7/2011 Larsen ..... D24/204  
D649,256 S \* 11/2011 Larsen ..... D24/204  
D685,104 S \* 6/2013 Larsen ..... D24/204

The broken lines immediately adjacent the shaded areas represent the bounds of the claim, while all other broken lines are directed to environment and are for illustrative purposes only; the broken lines form no part of the claimed design.

**1 Claim, 6 Drawing Sheets**



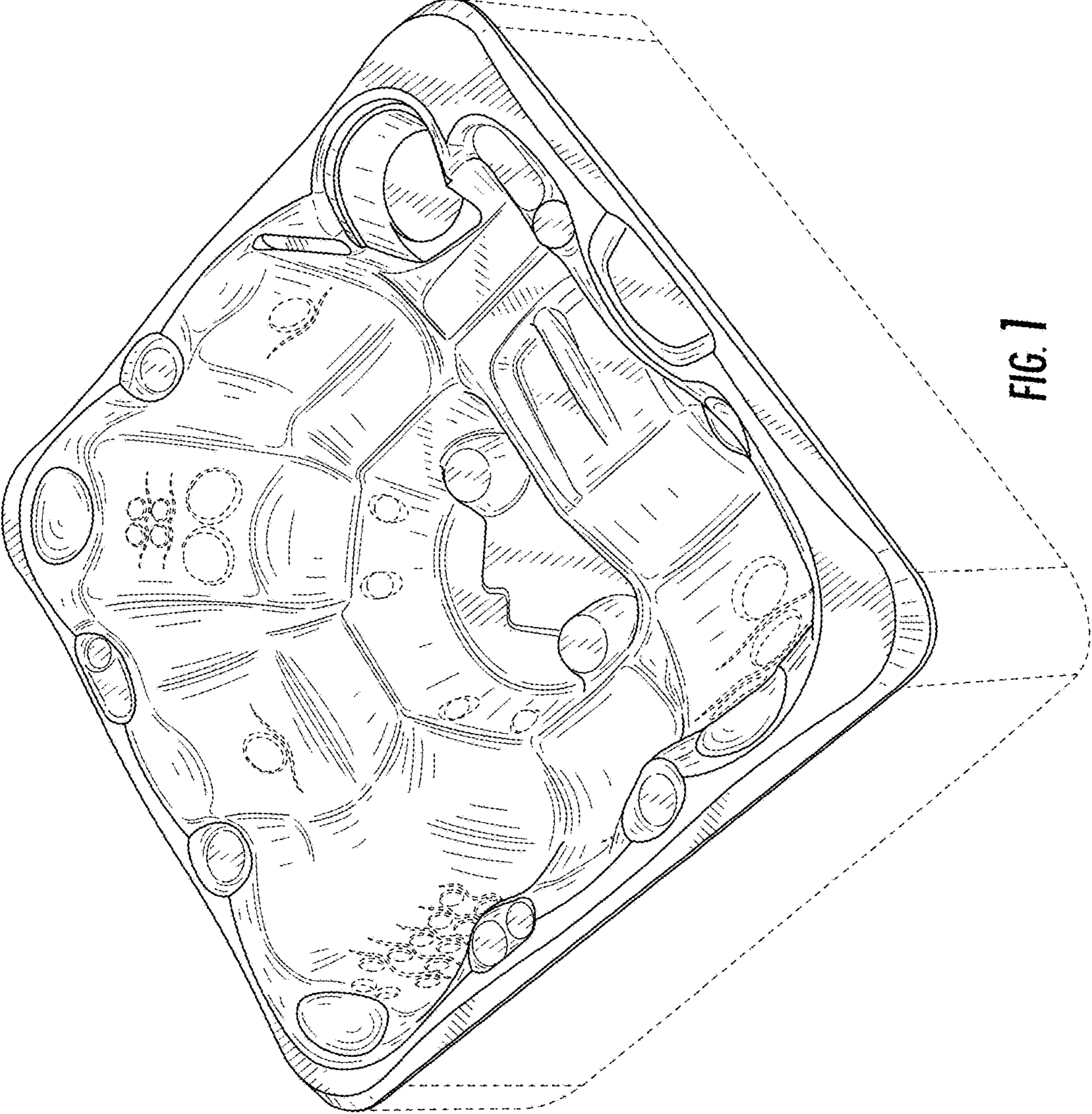
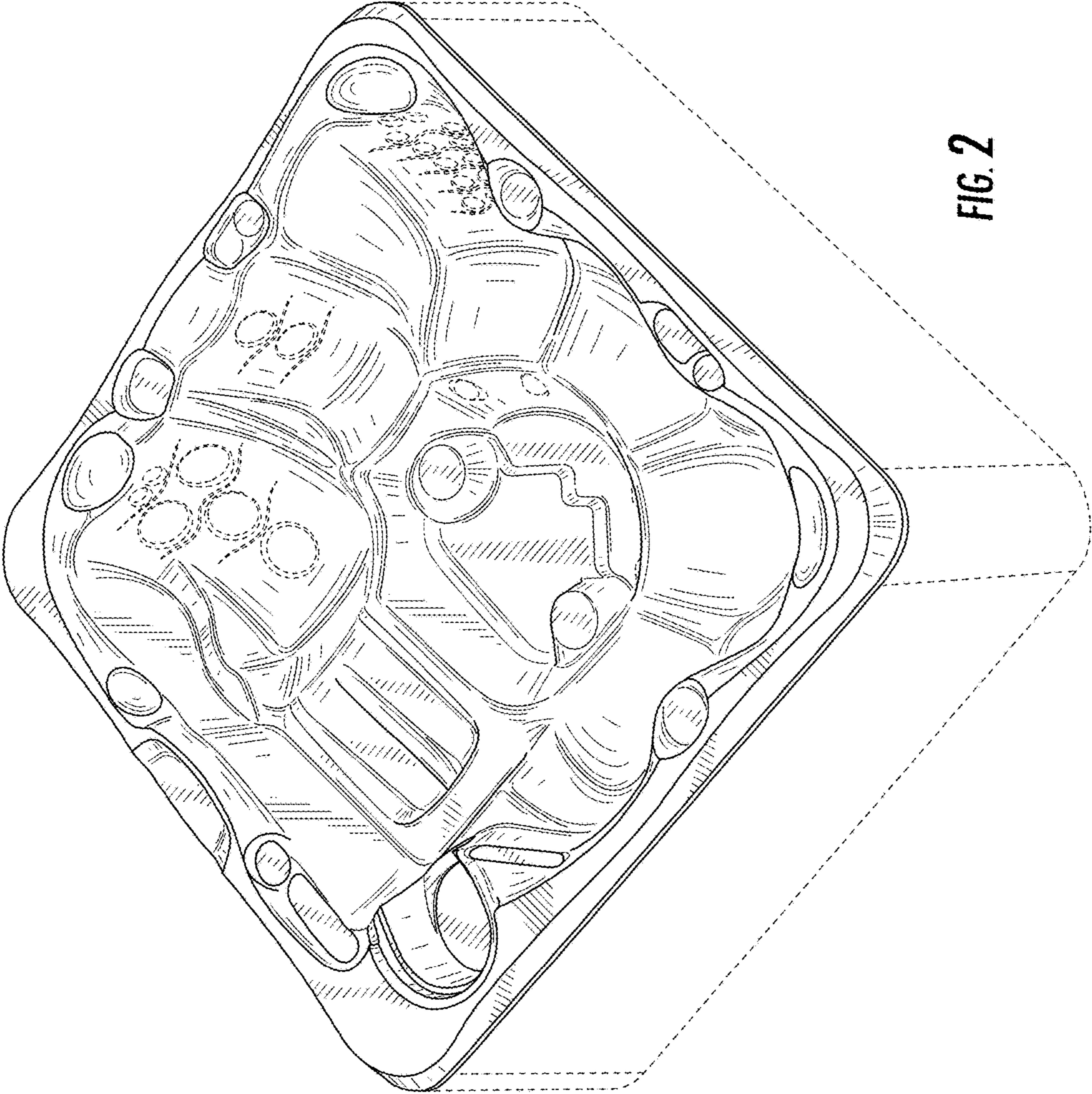


FIG. 1



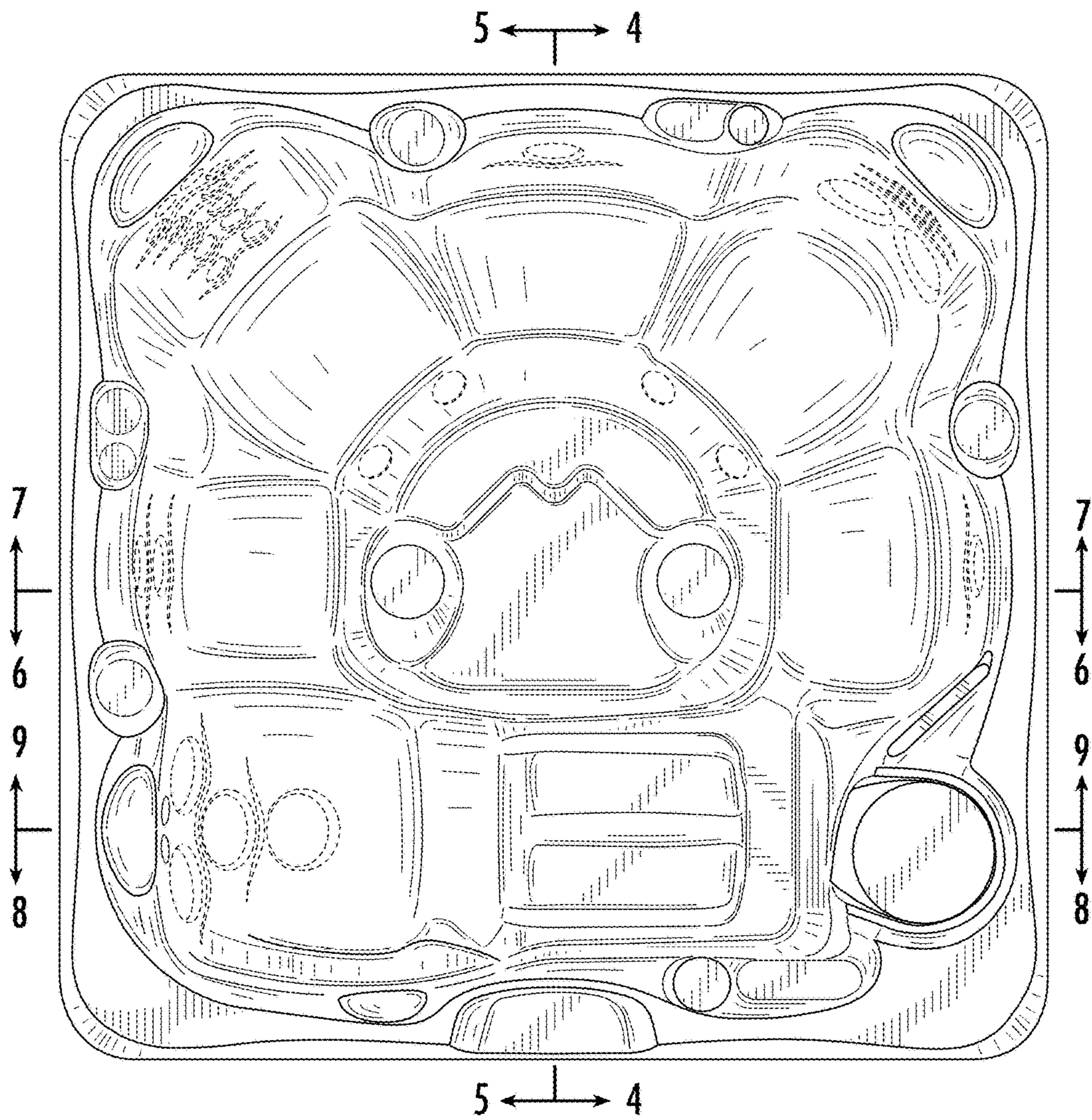


FIG. 3

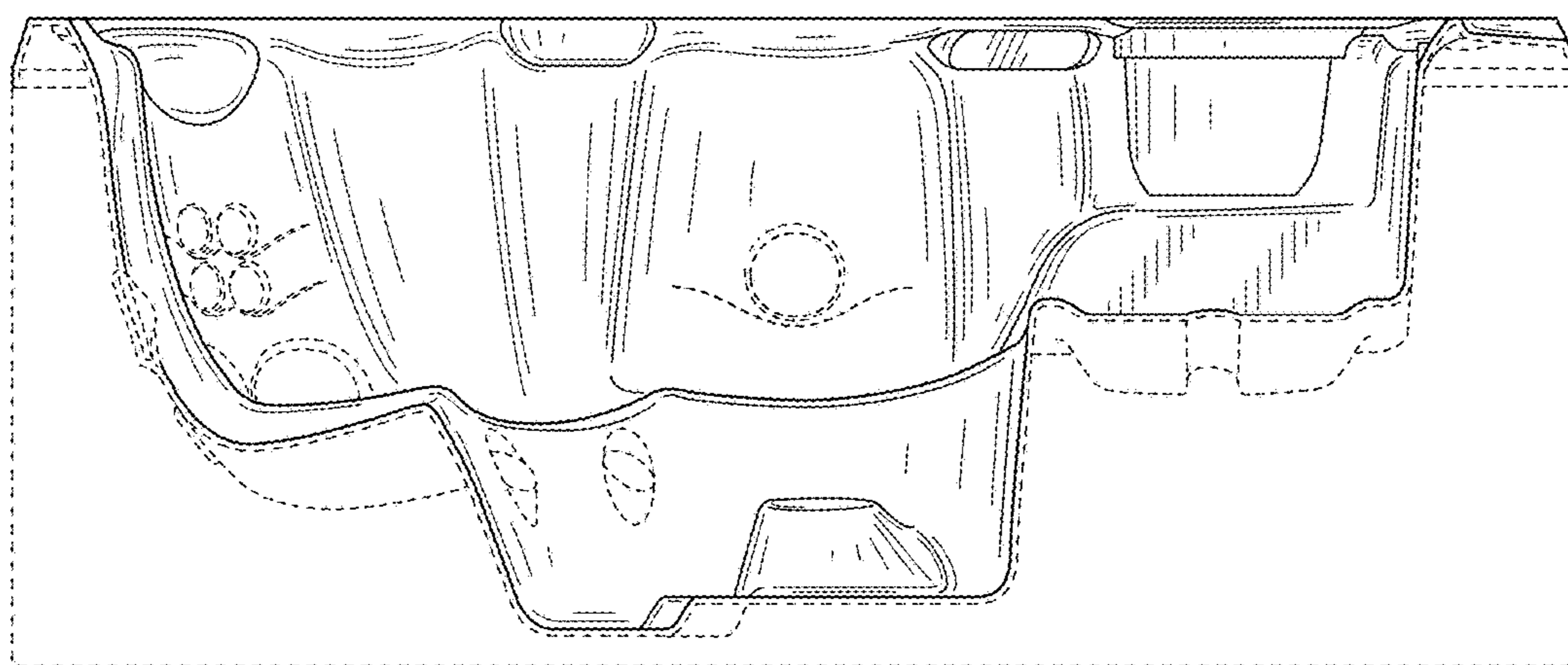


FIG. 4

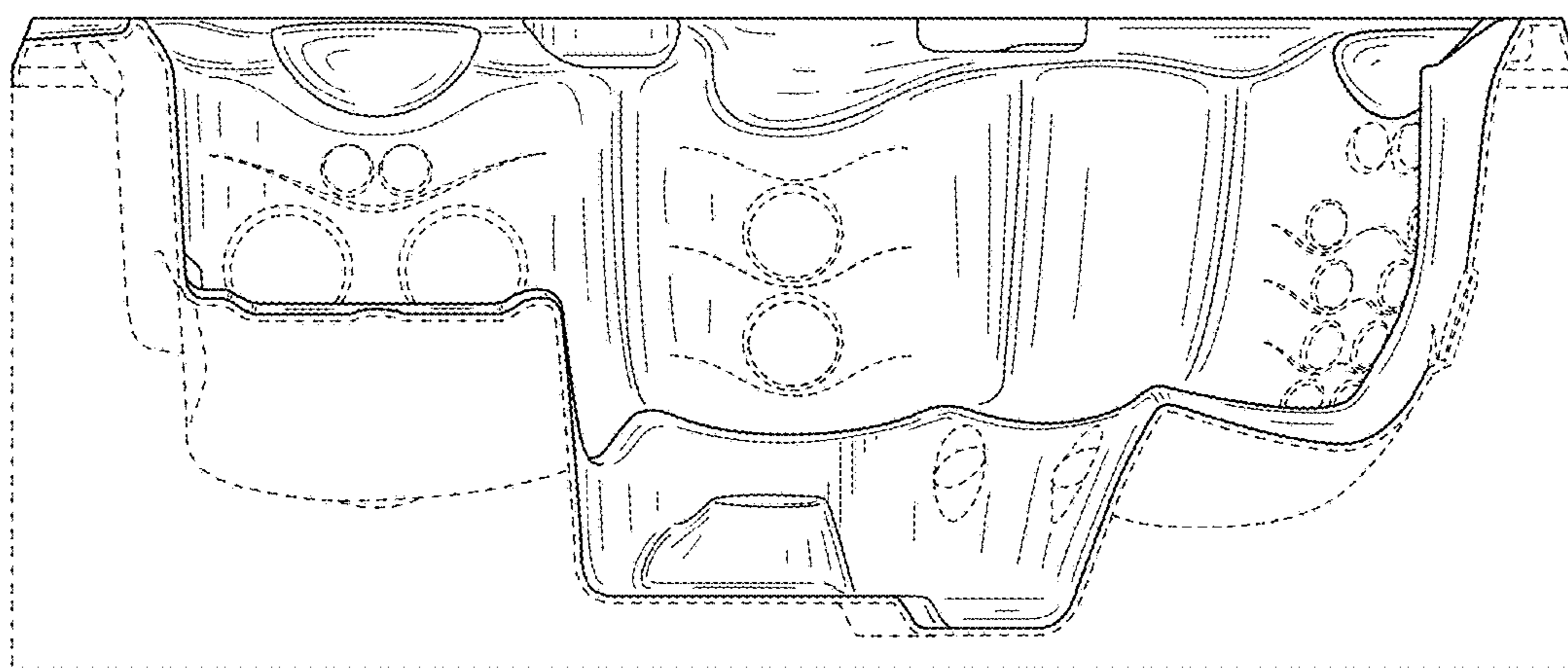


FIG. 5

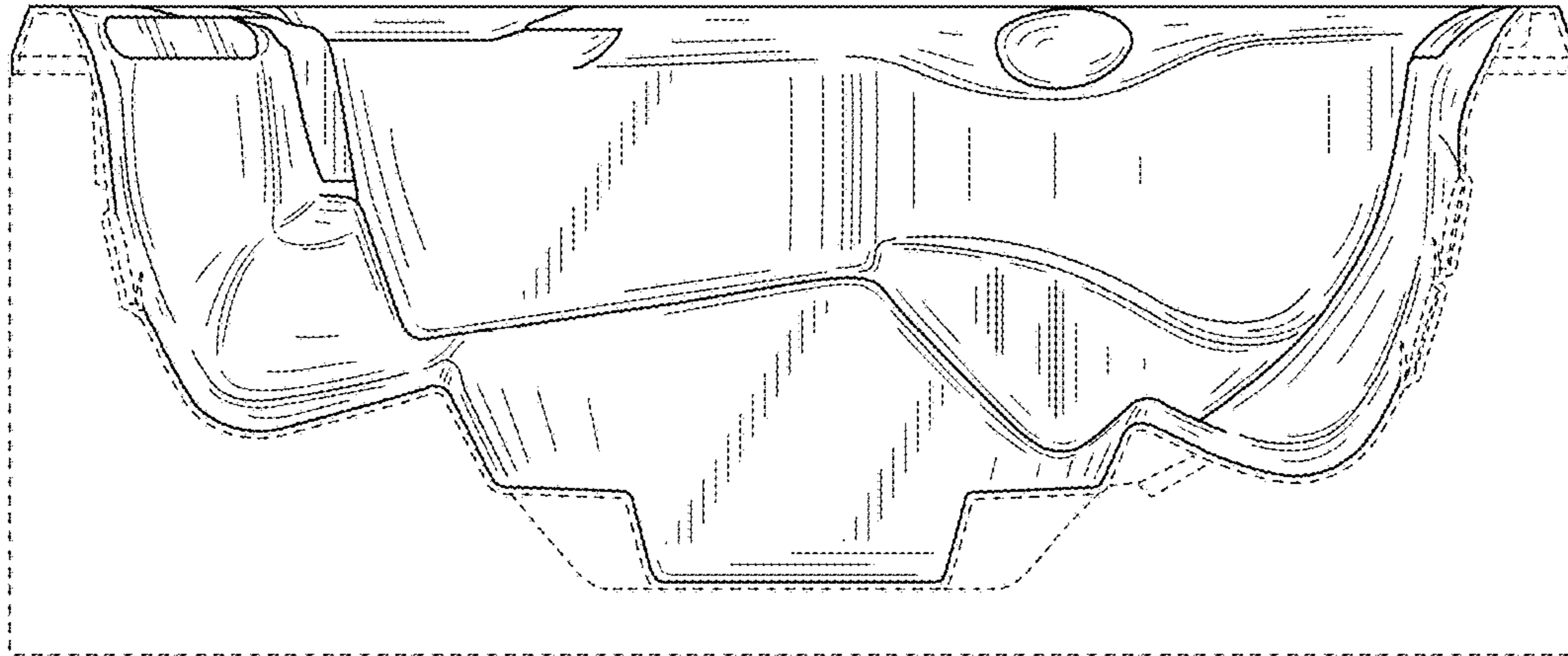


FIG. 6

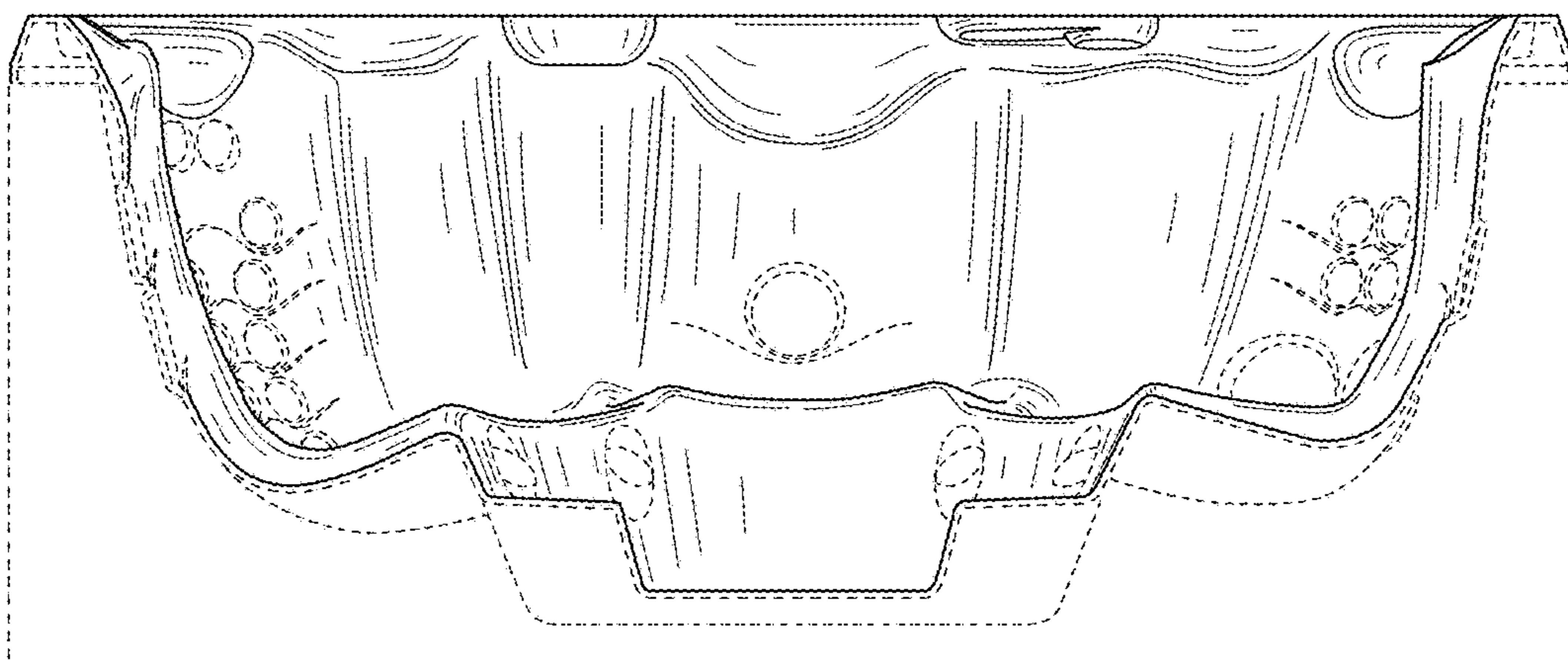
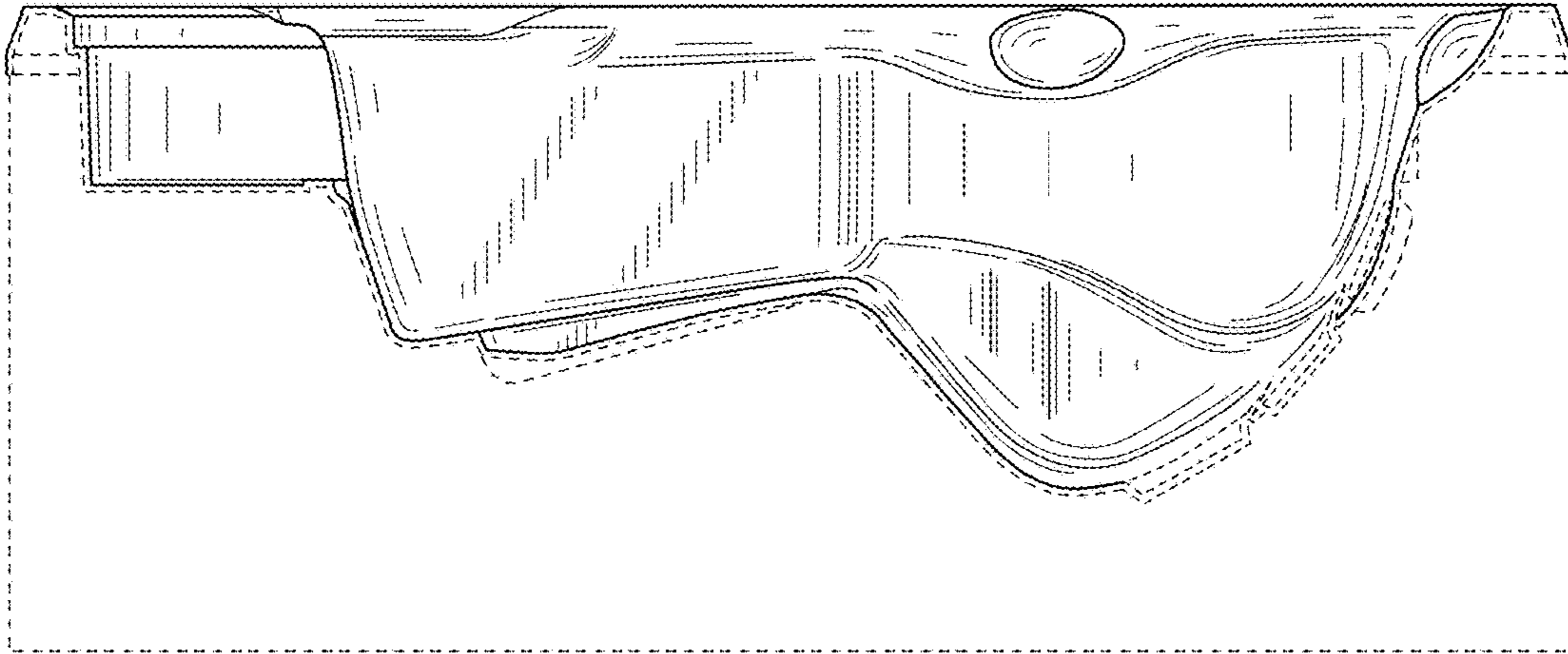
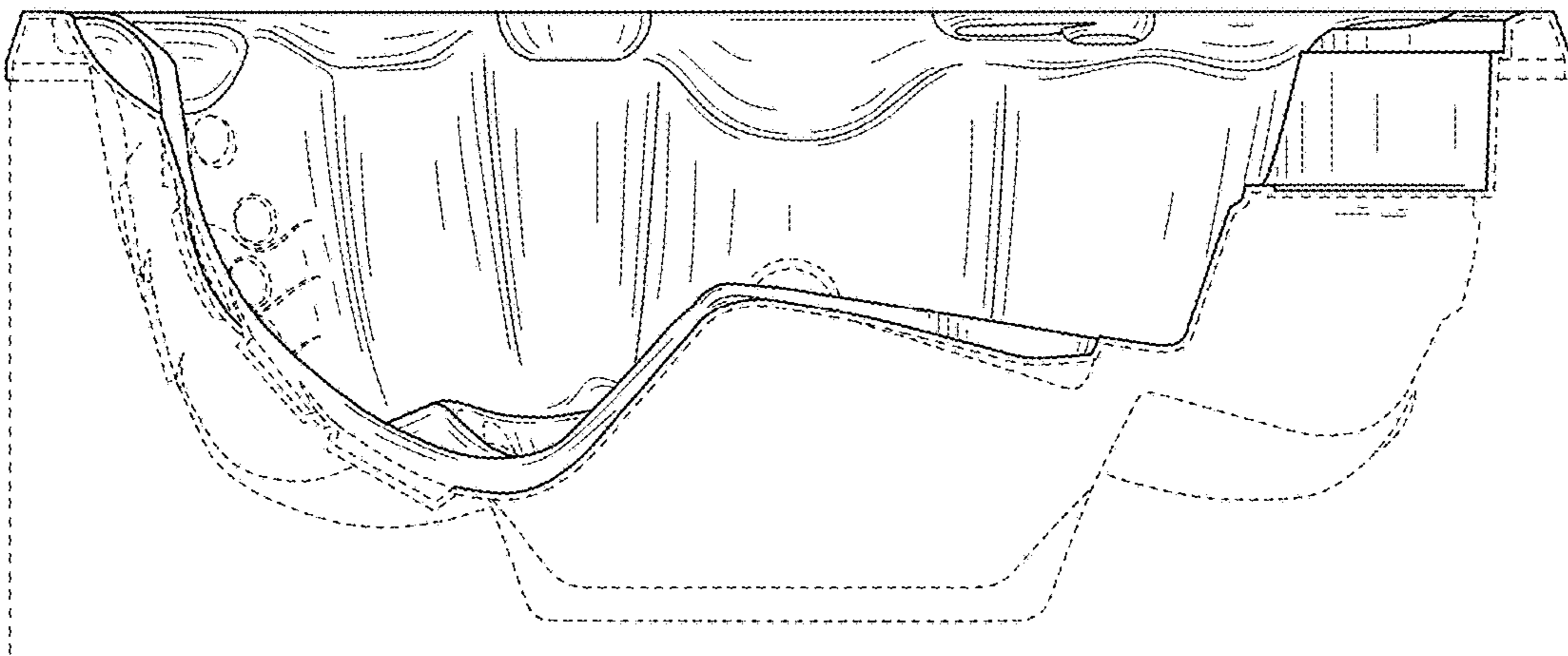


FIG. 7



**FIG. 8**



**FIG. 9**

UNITED STATES PATENT AND TRADEMARK OFFICE  
**CERTIFICATE OF CORRECTION**

PATENT NO. : D781,431 S  
APPLICATION NO. : 29/548104  
DATED : March 14, 2017  
INVENTOR(S) : Larsen et al.

Page 1 of 1

It is certified that error appears in the above-identified patent and that said Letters Patent is hereby corrected as shown below:

On the Title Page

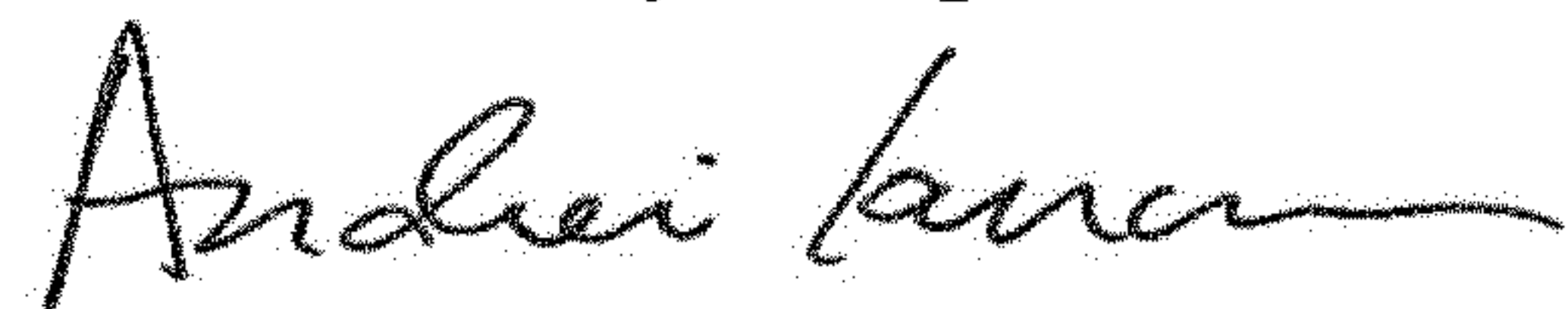
Item [72], insert:

--Fernando Pardo, Newbury Park, CA

Alexandra McGill, Los Angeles, CA

Martii Johannes Lampela, Woodland Hills, CA--

Signed and Sealed this  
Ninth Day of April, 2019



Andrei Iancu  
*Director of the United States Patent and Trademark Office*