



US00D781430S

(12) **United States Design Patent**
Konishi et al.

(10) **Patent No.:** **US D781,430 S**
(45) **Date of Patent:** **** Mar. 14, 2017**

(54) **POWER ASSIST SUIT**
(71) Applicant: **Panasonic Corporation**, Kadoma-shi,
Osaka (JP)
(72) Inventors: **Makoto Konishi**, Osaka (JP); **Takuo**
Wariishi, Osaka (JP); **Hiroki**
Tanibayashi, Kyoto (JP); **Hiroshi**
Kanchiku, Nara (JP); **Hirromichi**
Fujimoto, Nara (JP)

7,041,074 B1 * 5/2006 Averianov A61F 5/0102
128/845
8,795,215 B2 * 8/2014 Rossi A61F 5/026
602/19
D749,227 S * 2/2016 Takama D15/199
D766,449 S * 9/2016 Cappa D24/190
2007/0106190 A1 * 5/2007 Katoh A61F 5/0102
602/26

(Continued)

(73) Assignee: **PANASONIC CORPORATION**,
Osaka (JP)

FOREIGN PATENT DOCUMENTS

JP D1211704 7/2004
JP D1474199 7/2013

(Continued)

(**) Term: **15 Years**

Primary Examiner — Cynthia Ramirez

(21) Appl. No.: **29/545,365**

(74) *Attorney, Agent, or Firm* — Brinks Gilson & Lione

(22) Filed: **Nov. 12, 2015**

(30) **Foreign Application Priority Data**

May 18, 2015 (JP) 2015-010748

(51) **LOC (10) Cl.** **24-04**

(52) **U.S. Cl.**
USPC **D24/190**

(58) **Field of Classification Search**
USPC D24/190, 192; D29/121.1
CPC A61F 5/01; A61F 5/0102; A61F 5/0125;
A61F 2005/0139; A61F 2005/0158; A61F
2005/0167; A61H 1/024; A61H 3/00;
A61H 2201/50; A61H 2201/0165; A61H
2201/1671; A61H 2201/5064; A61H
2201/5069

See application file for complete search history.

(56) **References Cited**

U.S. PATENT DOCUMENTS

5,306,230 A * 4/1994 Bodine A61F 5/0102
602/16
6,436,065 B1 * 8/2002 Mitchell A61F 5/01
2/44

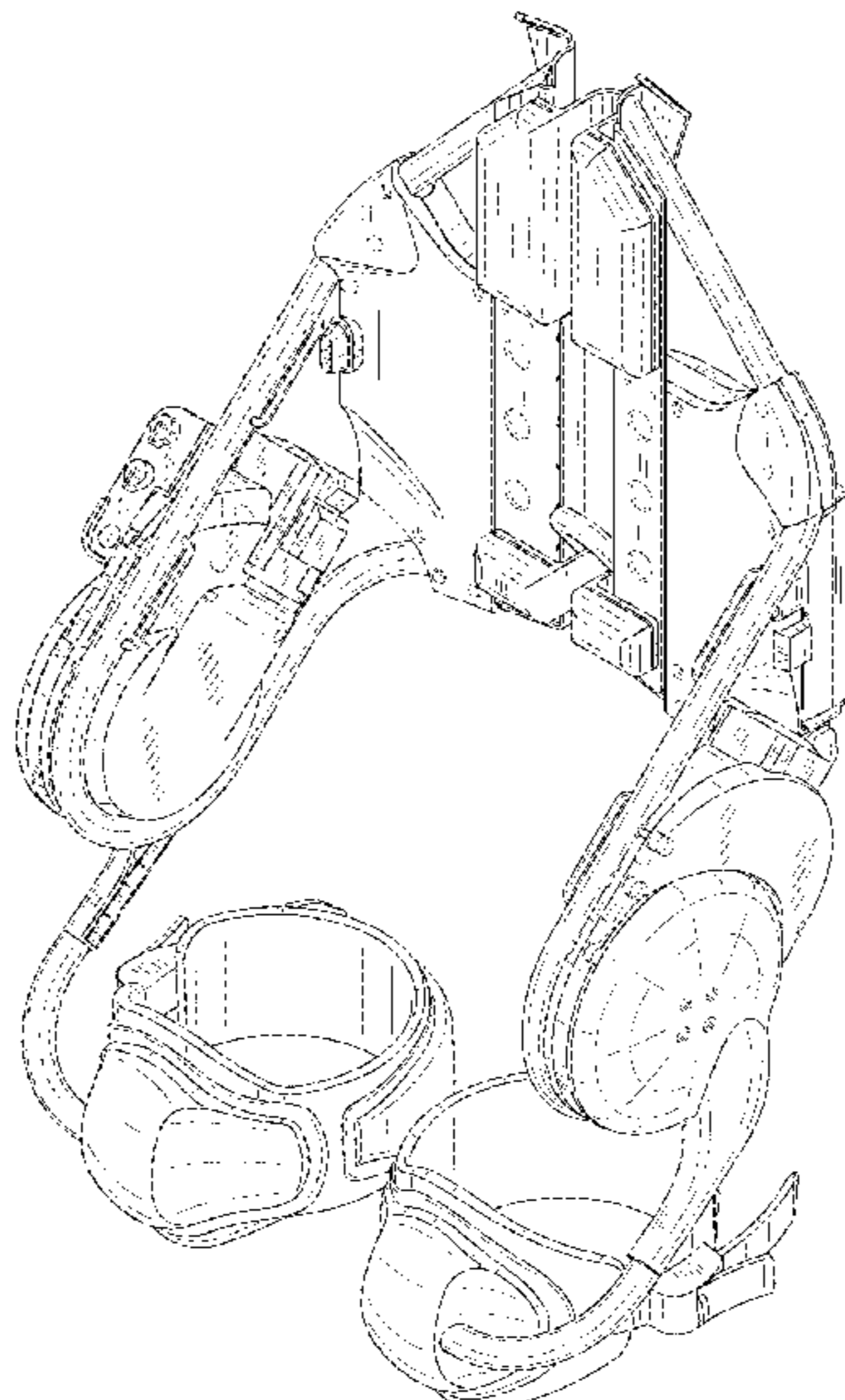
(57) **CLAIM**

We claim the ornamental design for a power assist suit, as shown and described.

DESCRIPTION

FIG. 1 is a front and top perspective view of a power assist suit showing our new design;
FIG. 2 is a rear and top perspective view thereof;
FIG. 3 is a front view thereof;
FIG. 4 is a rear view thereof;
FIG. 5 is a first side view thereof;
FIG. 6 is a second side view thereof;
FIG. 7 is a top view thereof; and,
FIG. 8 is a bottom view thereof.
The broken lines in the drawings are included for the purpose of illustrating portions of the power assist suit and forms no part of the claimed design.

1 Claim, 8 Drawing Sheets



(56)

References Cited

U.S. PATENT DOCUMENTS

2010/0036302 A1* 2/2010 Shimada A61F 5/0102
602/16
2010/0094188 A1* 4/2010 Goffer B25J 9/0006
602/23
2010/0262052 A1* 10/2010 Lunau A61B 5/6828
602/5
2011/0105971 A1* 5/2011 Ingimundarson A61F 5/024
602/19
2011/0282255 A1* 11/2011 Nace A61F 5/0123
602/16
2013/0012852 A1* 1/2013 Imaida A61F 5/01
602/16
2014/0046234 A1* 2/2014 DeSousa A61F 5/0102
602/16
2014/0276267 A1* 9/2014 Ayyar A61F 5/0102
601/35
2015/0016923 A1* 1/2015 Brown A61F 5/01
414/1
2015/0141889 A1* 5/2015 Ha A61F 5/0102
602/16
2015/0374513 A1* 12/2015 Ikeuchi A61F 5/0102
623/24
2016/0175180 A1* 6/2016 Bond A61H 3/00
602/23
2016/0317340 A1* 11/2016 Jangir A61H 3/00

FOREIGN PATENT DOCUMENTS

JP D1475434 7/2013
JP D1506000 9/2014

* cited by examiner

FIG. 1

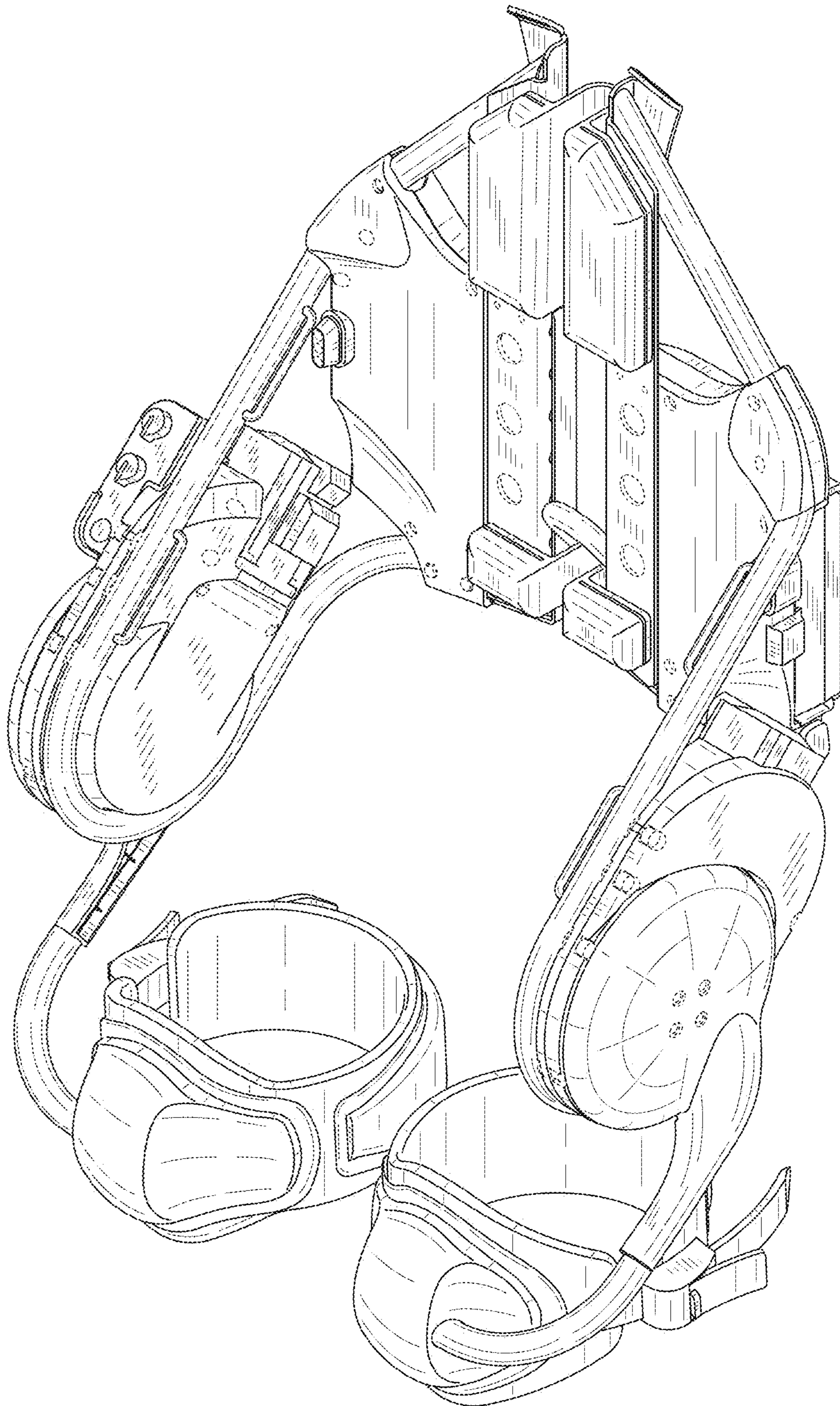


FIG. 2

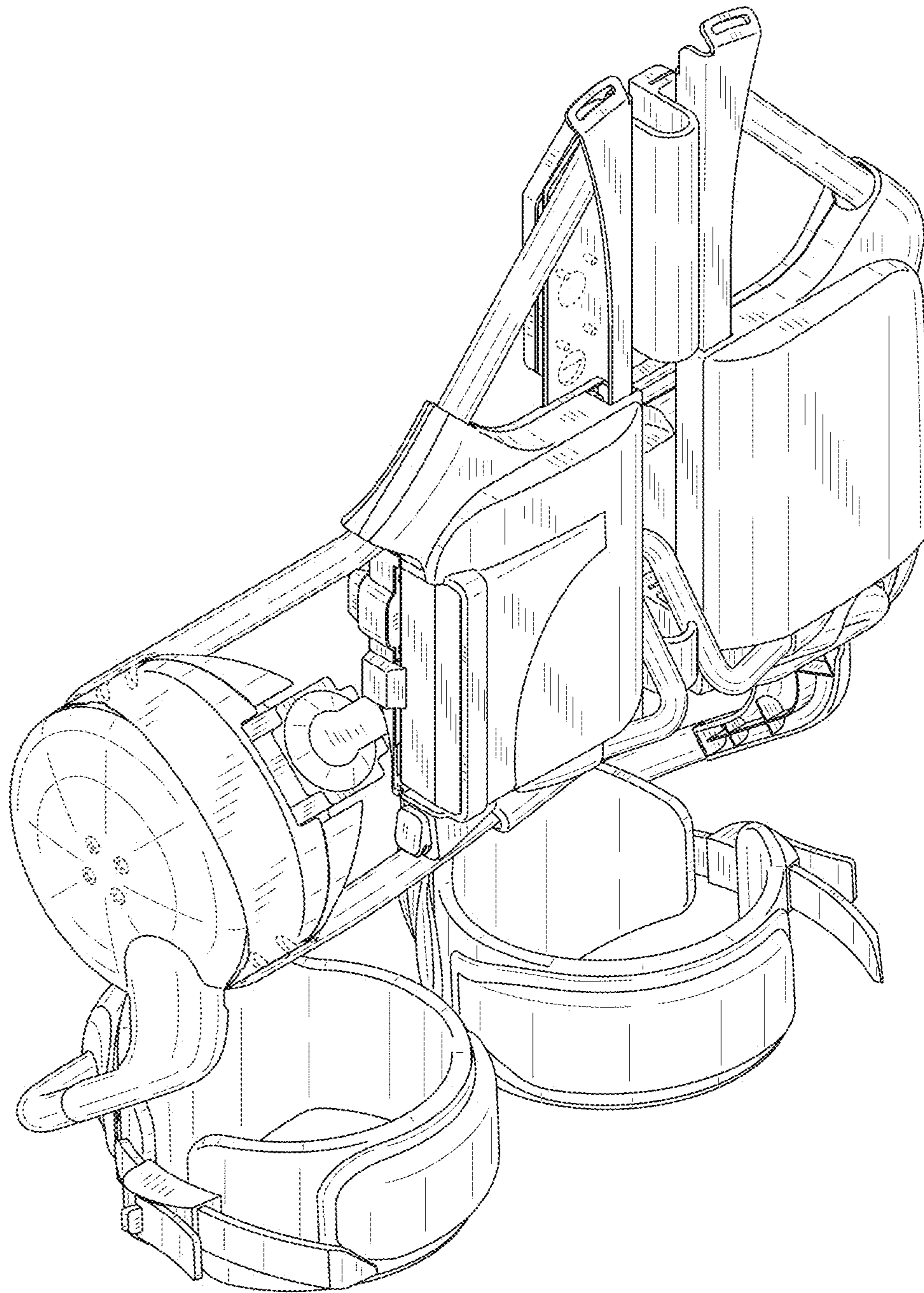


FIG. 3

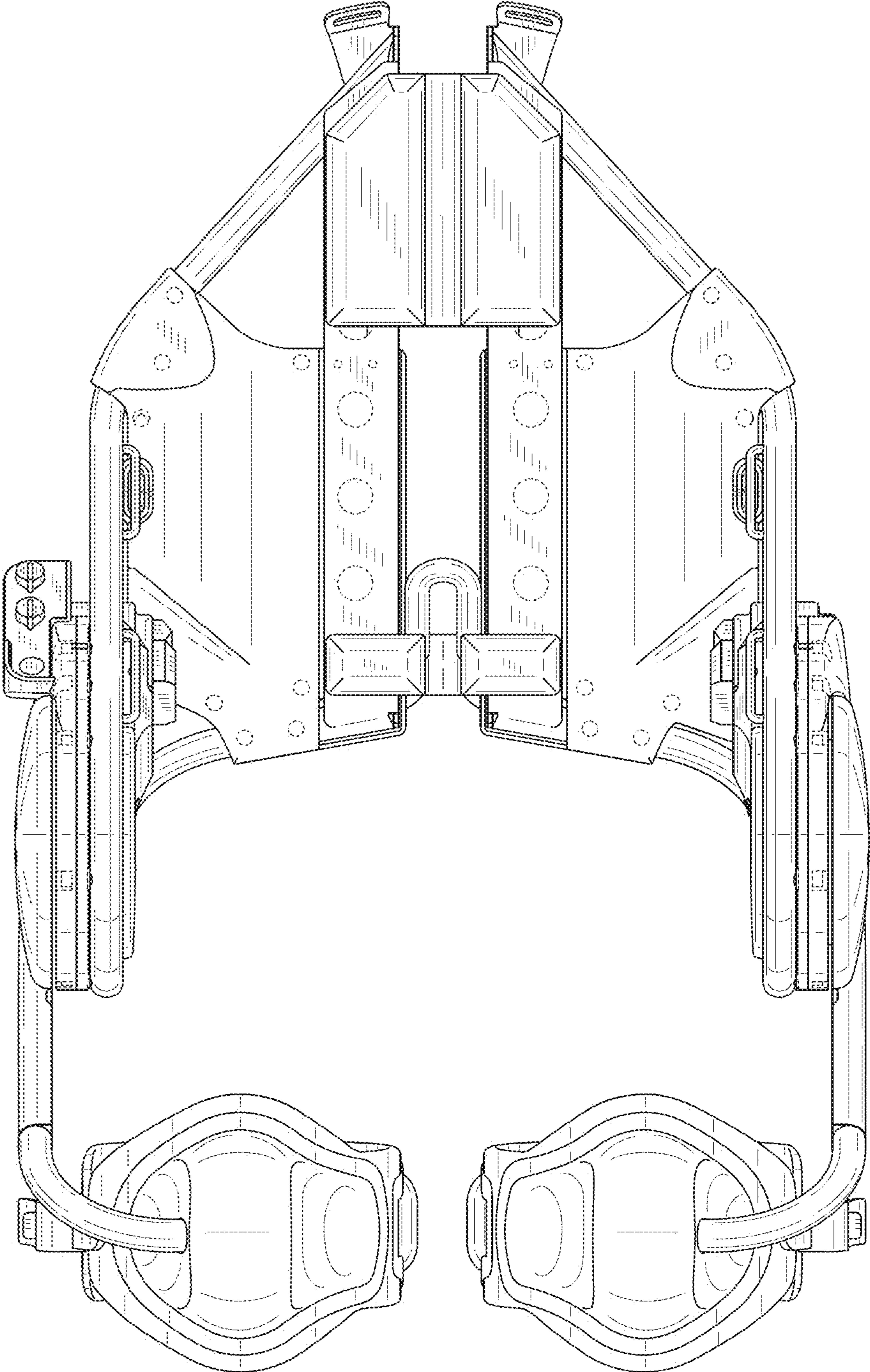


FIG. 4

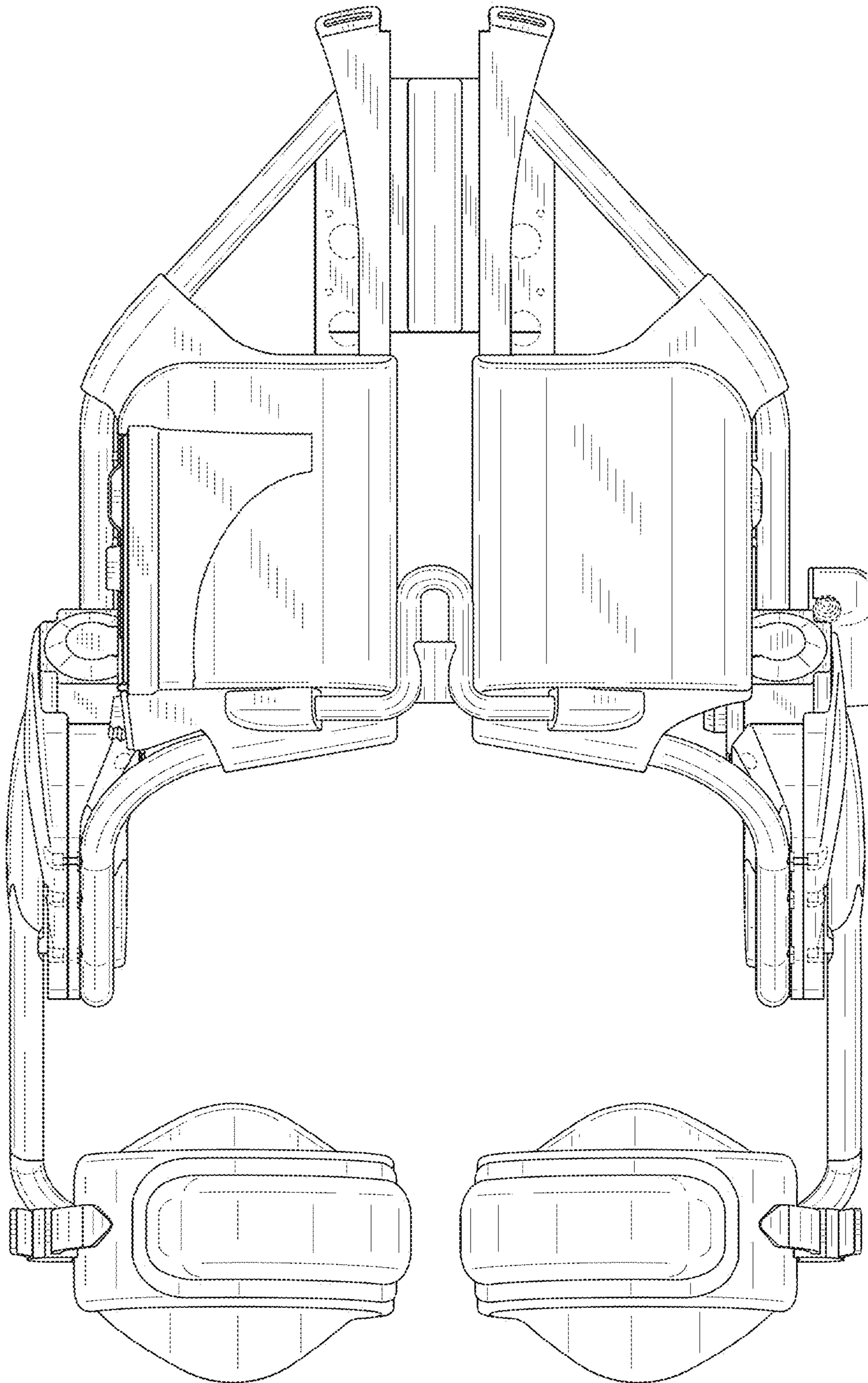


FIG. 5

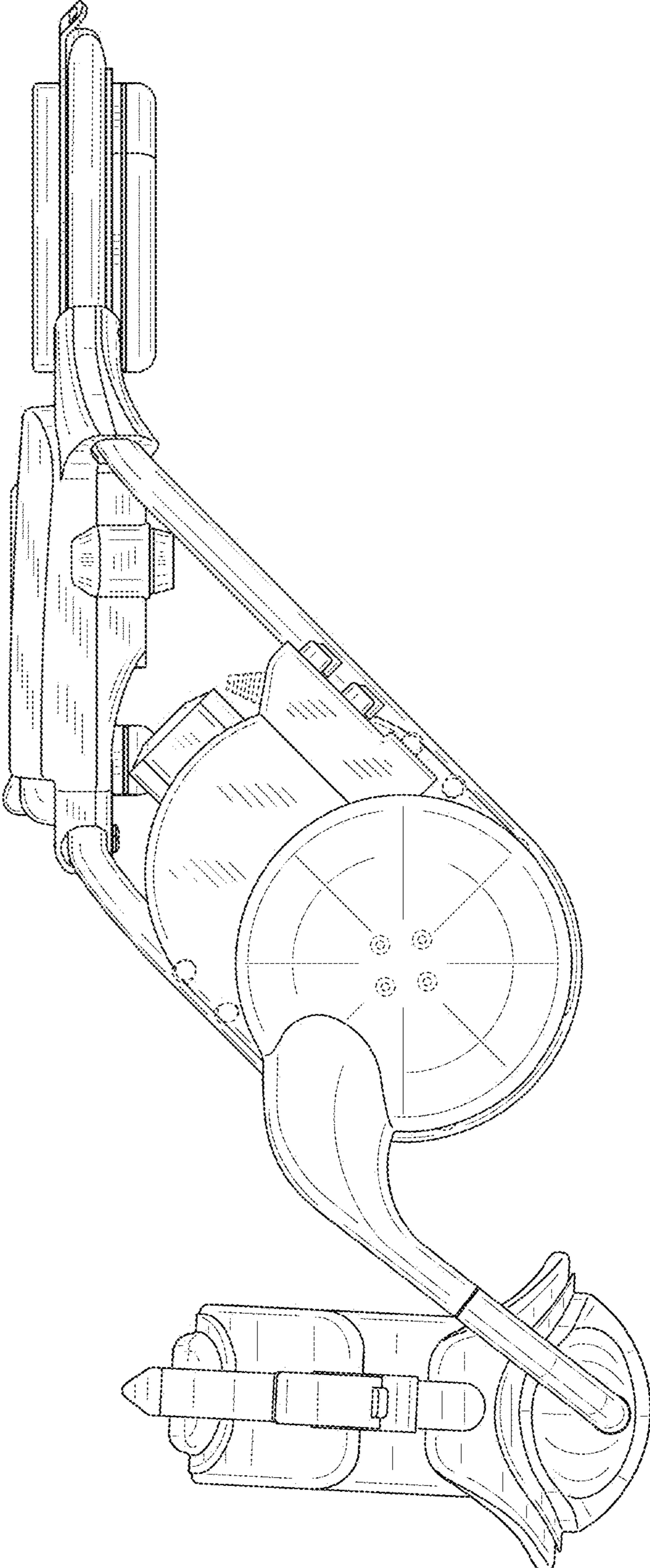


FIG. 6

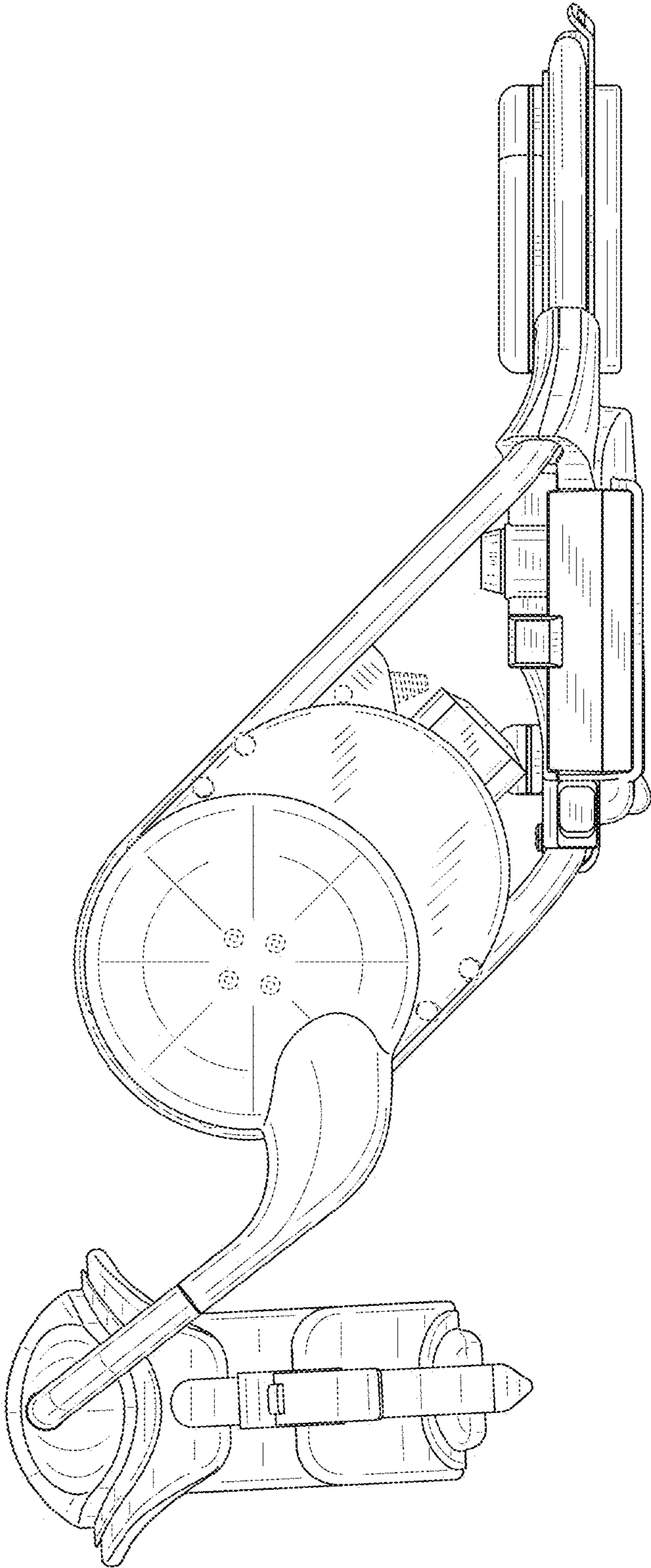


FIG. 7

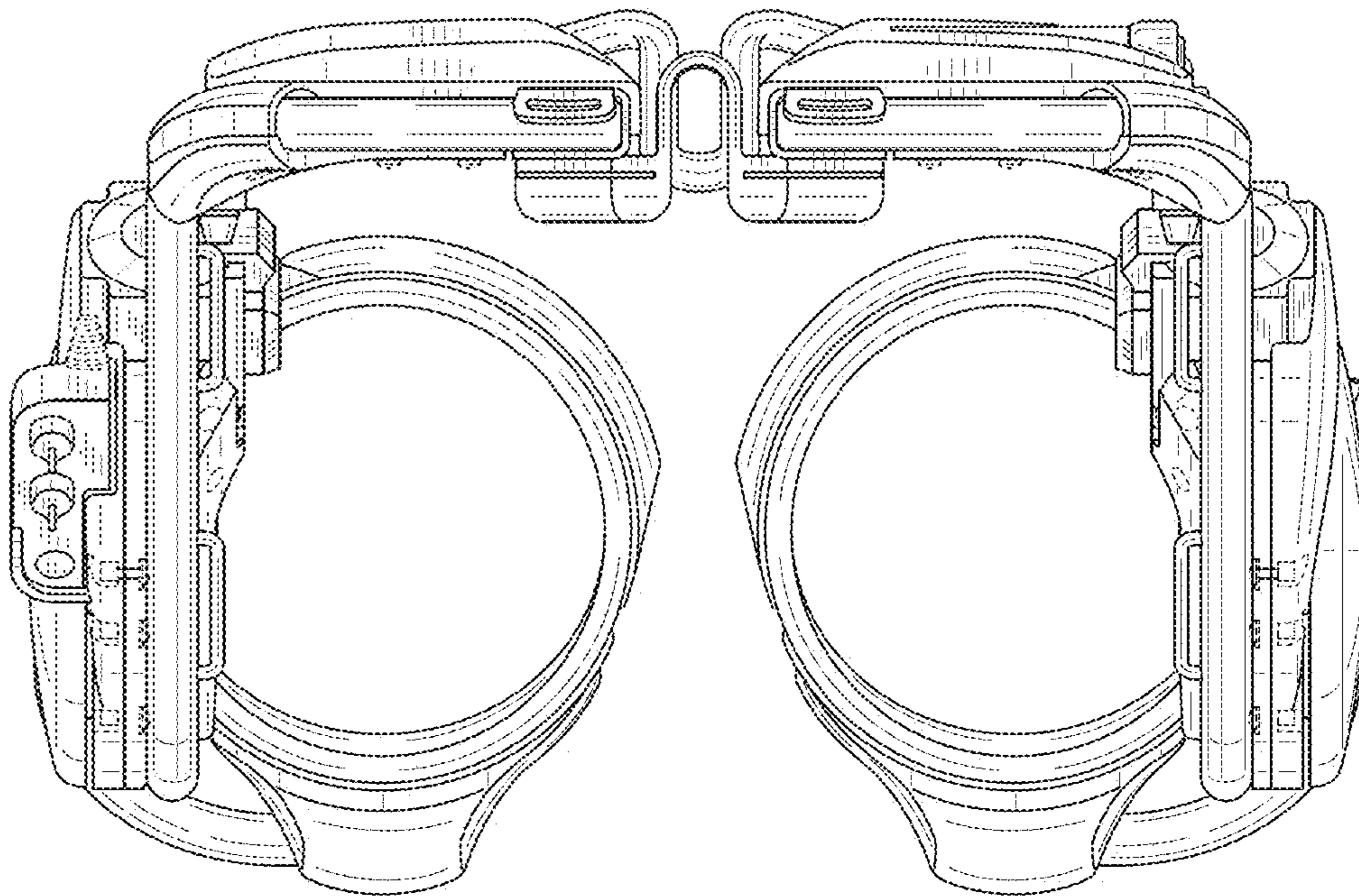


FIG. 8

