



US00D781427S

(12) **United States Design Patent**  
**Blank et al.**

(10) **Patent No.:** **US D781,427 S**  
(45) **Date of Patent:** **\*\* Mar. 14, 2017**

(54) **HANDS-FREE ORAL CARE DEVICE**  
(71) Applicants: **Andrew Blank**, Hudson, MA (US);  
**Jeffrey Freedman**, Cumming, GA (US)  
(72) Inventors: **Andrew Blank**, Hudson, MA (US);  
**Jeffrey Freedman**, Cumming, GA (US)  
(\*\*) Term: **15 Years**

8,292,624 B2 \* 10/2012 Gallagher, Jr. .... A46B 11/0003  
433/216  
8,448,282 B2 5/2013 Stapelbroek et al.  
8,631,531 B2 \* 1/2014 Garner ..... A61C 17/228  
15/22.1  
8,635,731 B2 1/2014 Garner et al.  
8,684,956 B2 \* 4/2014 McDonough ..... A61C 17/0211  
433/216  
8,745,802 B2 6/2014 Steur  
8,863,346 B2 \* 10/2014 Headstrom ..... A61C 17/228  
15/167.1

(21) Appl. No.: **29/532,686**

(Continued)

(22) Filed: **Jul. 9, 2015**

FOREIGN PATENT DOCUMENTS

(51) **LOC (10) Cl.** ..... **24-99**

WO 2004/108008 A1 12/2004  
WO 2013/041743 A1 3/2013

(52) **U.S. Cl.**

USPC ..... **D24/176; D24/152**

(58) **Field of Classification Search**

USPC ..... D24/152, 154–156, 176, 180–181, 119;  
D4/128, 111, 133; 433/216, 141–142;  
601/139, 164

CPC . A61C 17/00; A61C 17/0202; A61C 17/0211;  
A61C 17/036; A61C 17/22; A61C  
17/222; A61C 17/228; A46B 9/045; A46B  
9/005; A46B 9/025

See application file for complete search history.

OTHER PUBLICATIONS

U.S. Appl. No. 15/207,499, filed Jul. 11, 2016, Hands-Free Oral  
Care Device and Method.

(Continued)

*Primary Examiner* — Wan Laymon  
(74) *Attorney, Agent, or Firm* — Nutter McClennen &  
Fish LLP; Derek Roller

(56) **References Cited**

U.S. PATENT DOCUMENTS

3,769,652 A 11/1973 Rainer  
4,011,616 A 3/1977 Kennedy  
4,224,710 A 9/1980 Solow  
4,237,574 A 12/1980 Kelly et al.  
5,104,315 A \* 4/1992 McKinley ..... A61C 17/0211  
433/216  
5,175,901 A 1/1993 Rabinowitz  
5,177,827 A 1/1993 Ellison  
6,223,376 B1 5/2001 Lee  
6,353,956 B1 \* 3/2002 Berge ..... A46B 9/045  
15/167.2  
6,893,259 B1 \* 5/2005 Reizenon ..... A61C 17/0211  
433/29  
7,082,638 B2 8/2006 Koh

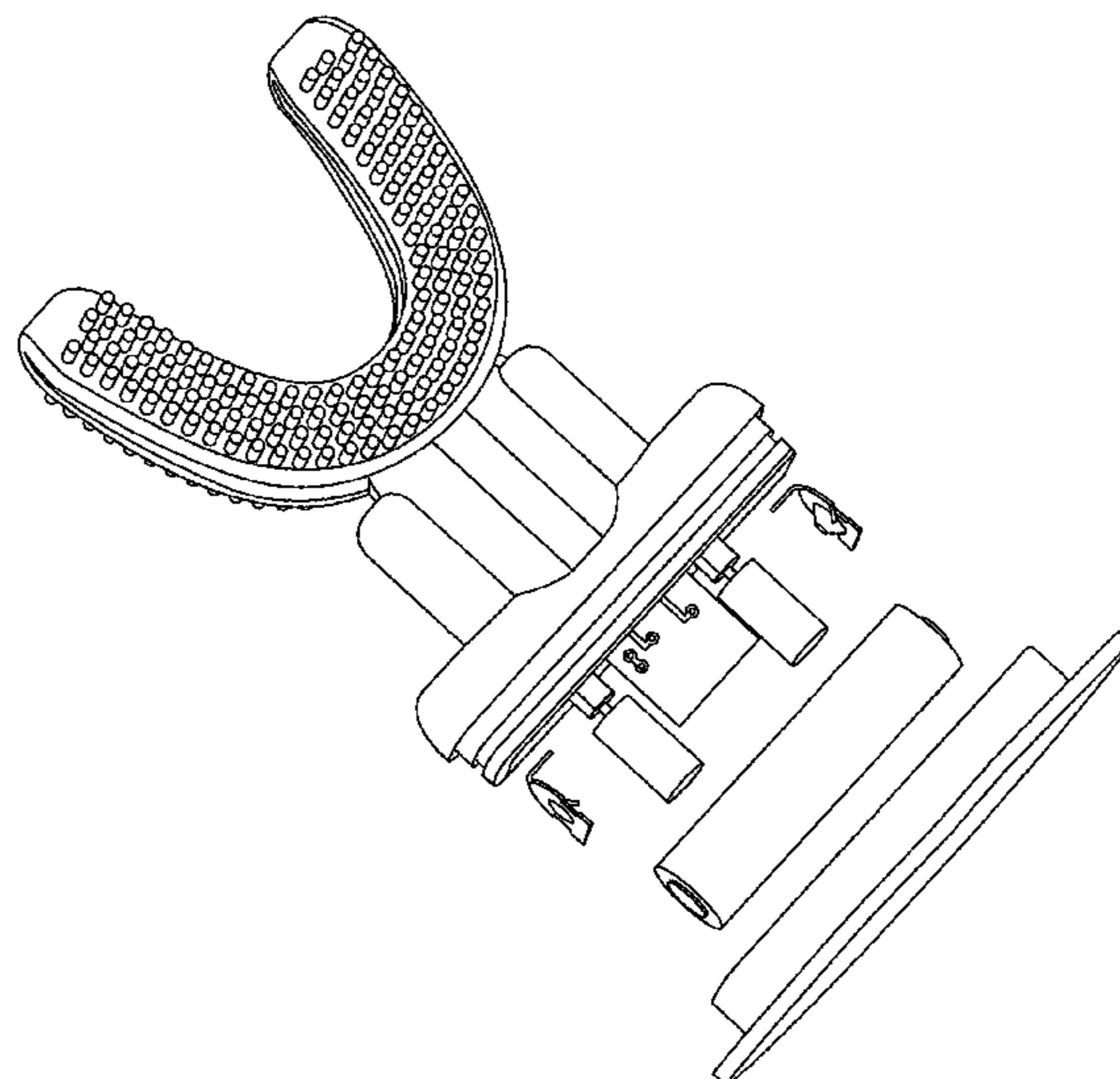
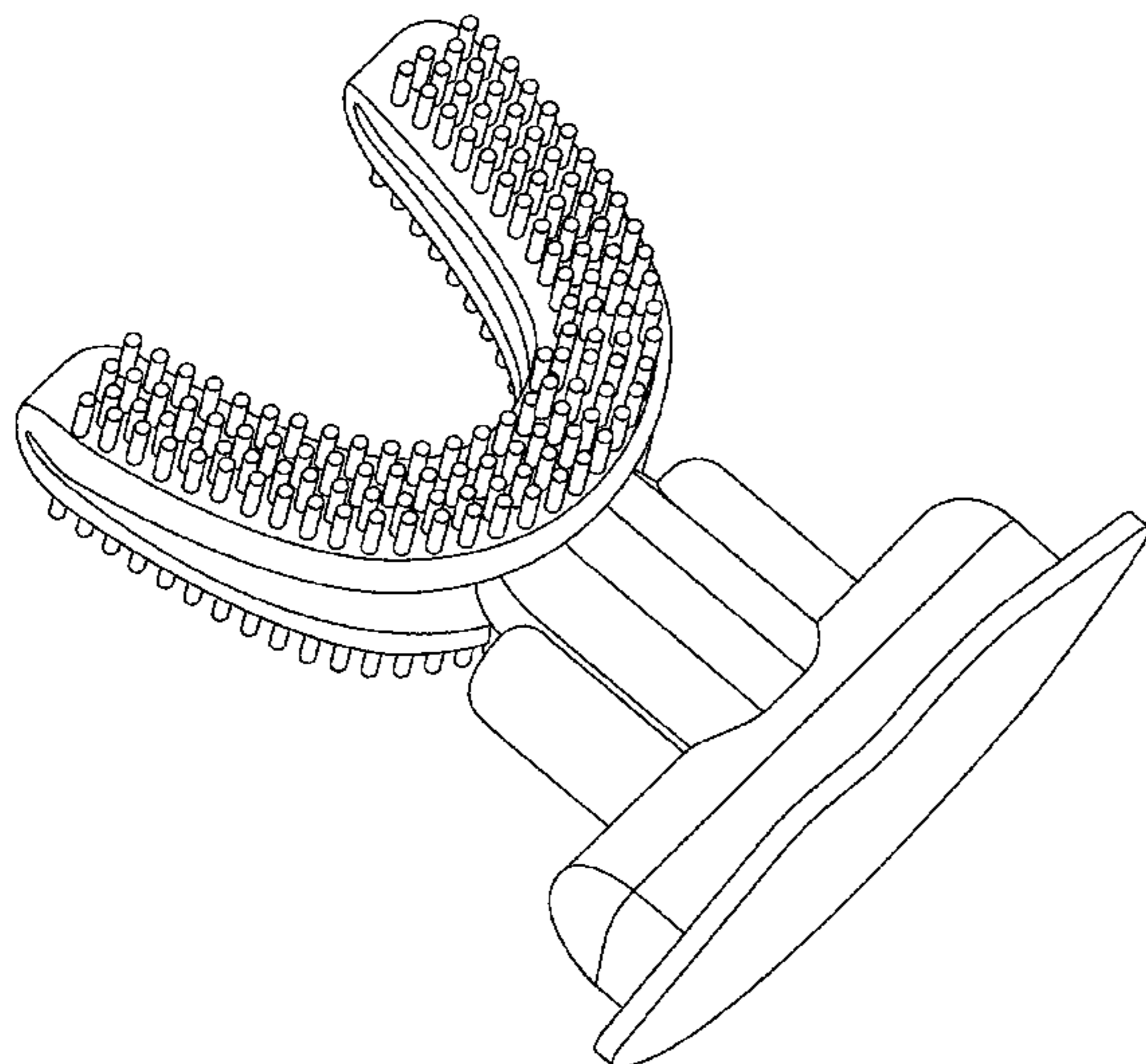
(57) **CLAIM**

The ornamental design for a hands-free oral care device, as  
shown and described.

**DESCRIPTION**

FIG. 1 is a top perspective view of a hands-free oral care  
device of the present invention;  
FIG. 2 is a bottom view thereof;  
FIG. 3 is a top perspective exploded view thereof; and,  
FIG. 4 is a bottom exploded view thereof.

**1 Claim, 4 Drawing Sheets**



(56)

**References Cited**

U.S. PATENT DOCUMENTS

8,978,189 B1 \* 3/2015 Sexton ..... A46B 9/045  
15/167.2  
9,277,980 B2 \* 3/2016 Leveling ..... A61C 17/228  
D764,061 S \* 8/2016 Furdui-Carr ..... D24/176  
2005/0125918 A1 6/2005 Brooks  
2009/0208898 A1 8/2009 Kaplan  
2009/0276972 A1 11/2009 Dugan  
2011/0072605 A1 \* 3/2011 Steur ..... A61C 17/222  
15/167.2  
2011/0154595 A1 6/2011 Hill  
2011/0252590 A1 10/2011 Steur  
2011/0289709 A1 12/2011 Attaway  
2012/0260441 A1 10/2012 Miller et al.  
2013/0014332 A1 1/2013 Garner et al.  
2013/0067665 A1 \* 3/2013 Sowinski ..... A61C 17/228  
15/4  
2013/0220357 A1 \* 8/2013 Campbell ..... A46B 9/045  
132/200

2014/0093836 A1 \* 4/2014 Wolpo ..... A61C 17/222  
433/32  
2015/0250571 A1 \* 9/2015 Oelgiesser ..... A61C 17/228  
15/22.2  
2015/0282910 A1 \* 10/2015 Furdui-Carr ..... A61C 17/228  
15/22.2

OTHER PUBLICATIONS

[No Author Listed] K-12 students look ahead to a brighter future!  
15th Annual Toshiba/NSTA ExploraVision Program Announces  
2007 Student Winners. Business Wire: A Berkshire Hathaway  
Company, May 10, 2007, 7 pages. Retrieved from <<http://www.businesswire.com/news/home/20070510005859/en/K-12-Students-Brighter-Future>> on Oct. 18, 2016.  
Molina, B., Blissident toothbrush cleans teeth in 6 seconds, USA  
Today, Oct. 3, 2013, 2 pages. Retrieved from <<http://www.usatoday.com/story/tech/2013/10/03/blizzident-toothbrush/29143895>> on  
Oct. 18, 2016.

\* cited by examiner

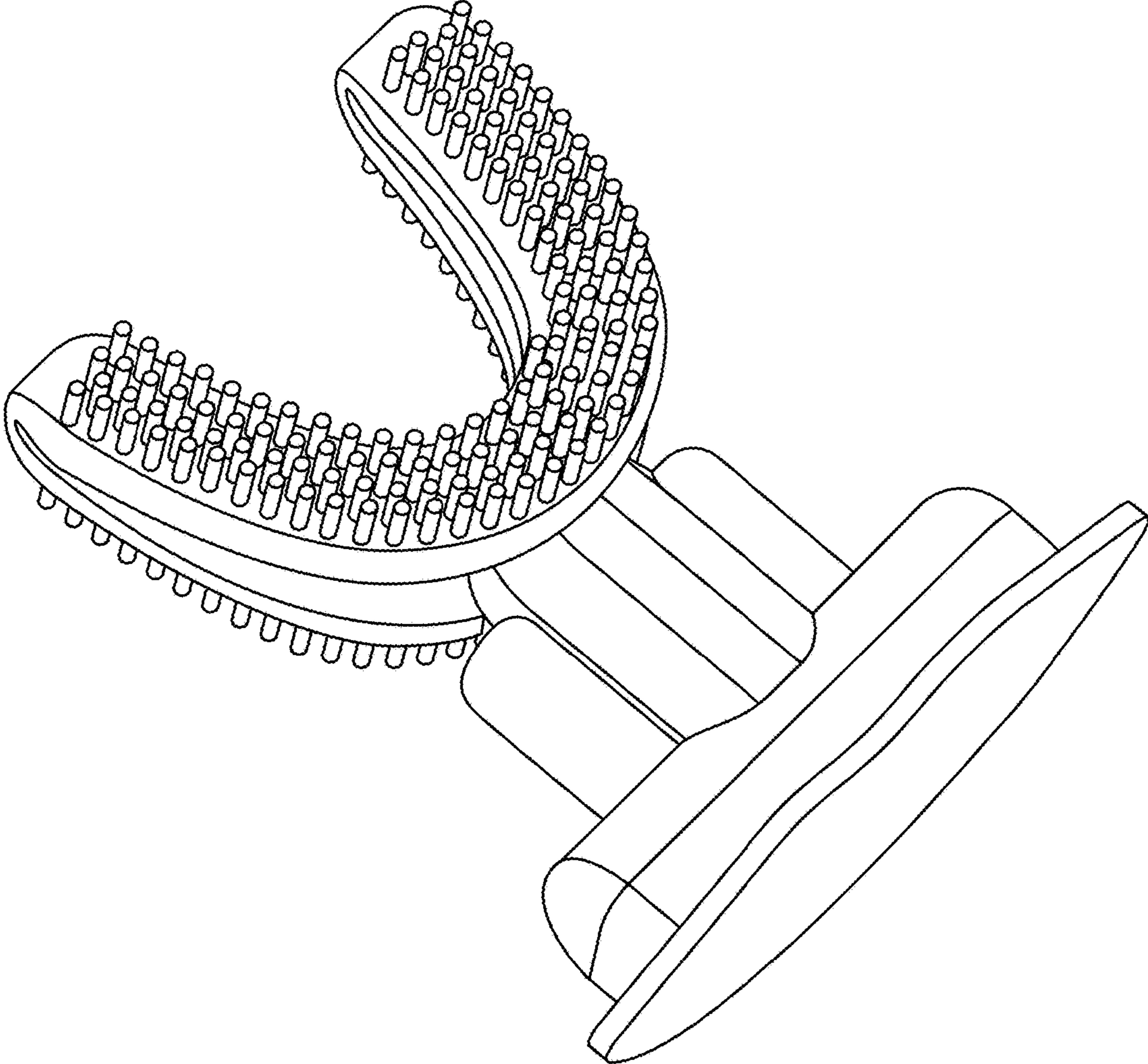


FIG. 1

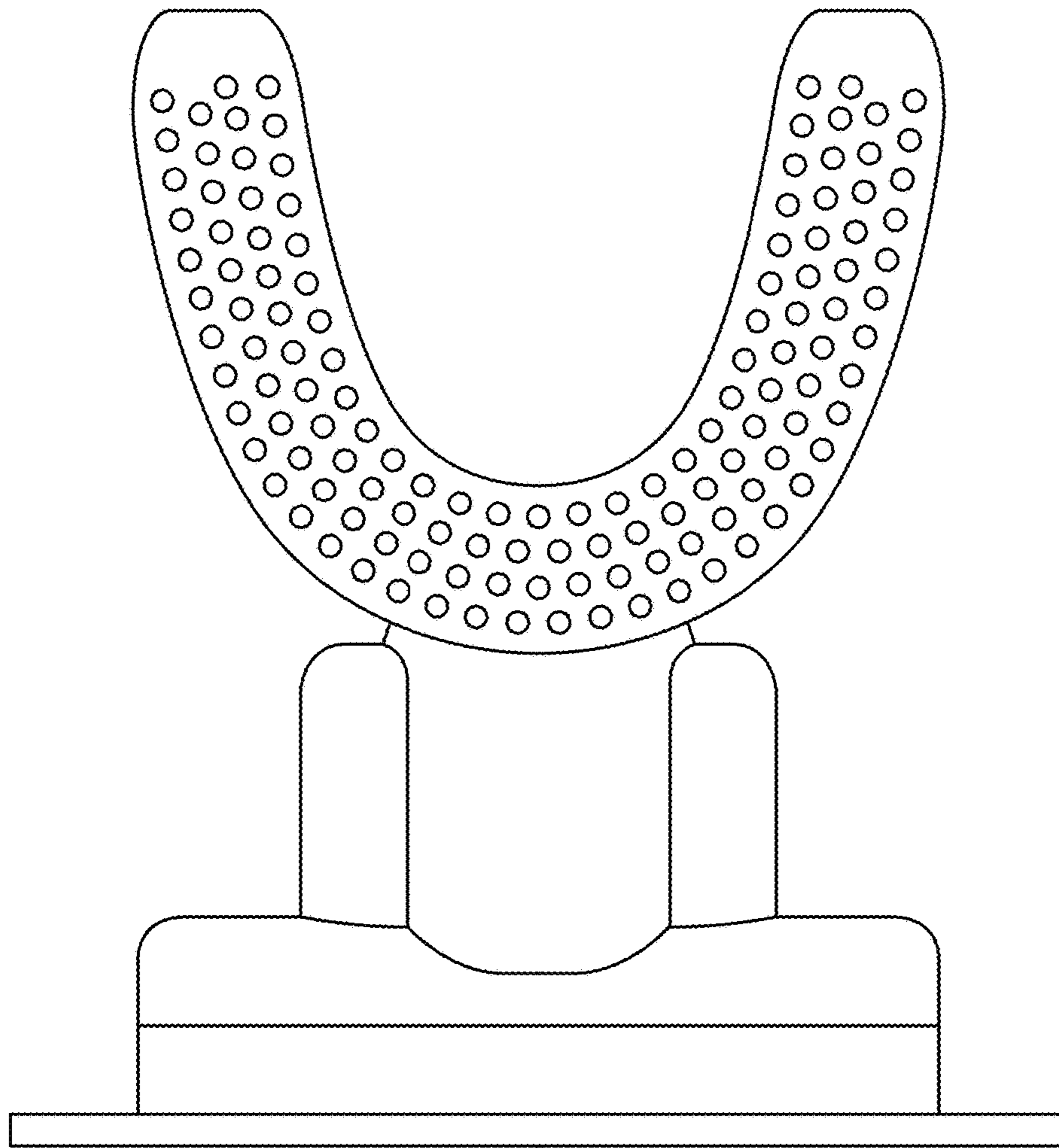


FIG. 2

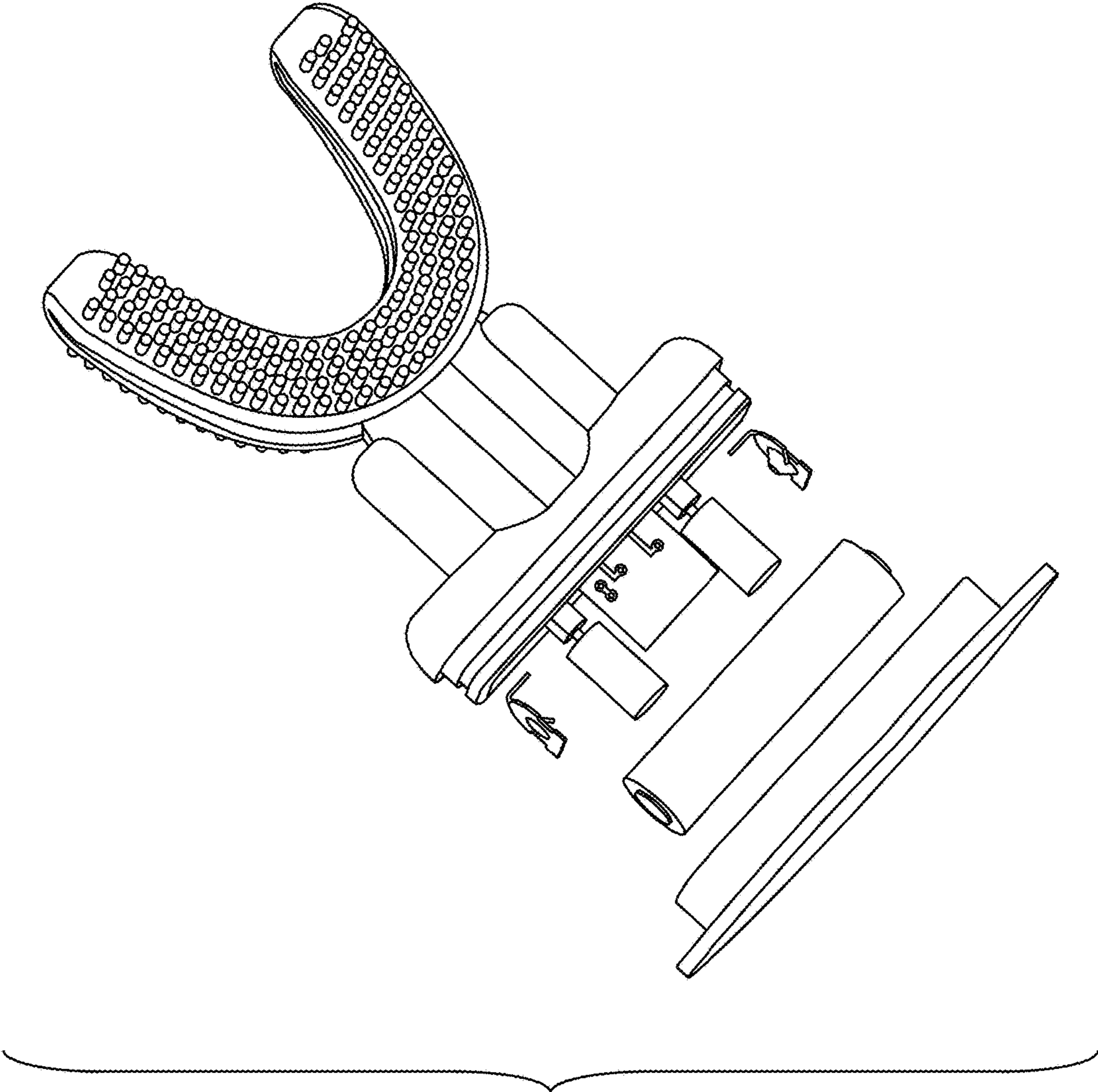


FIG. 3

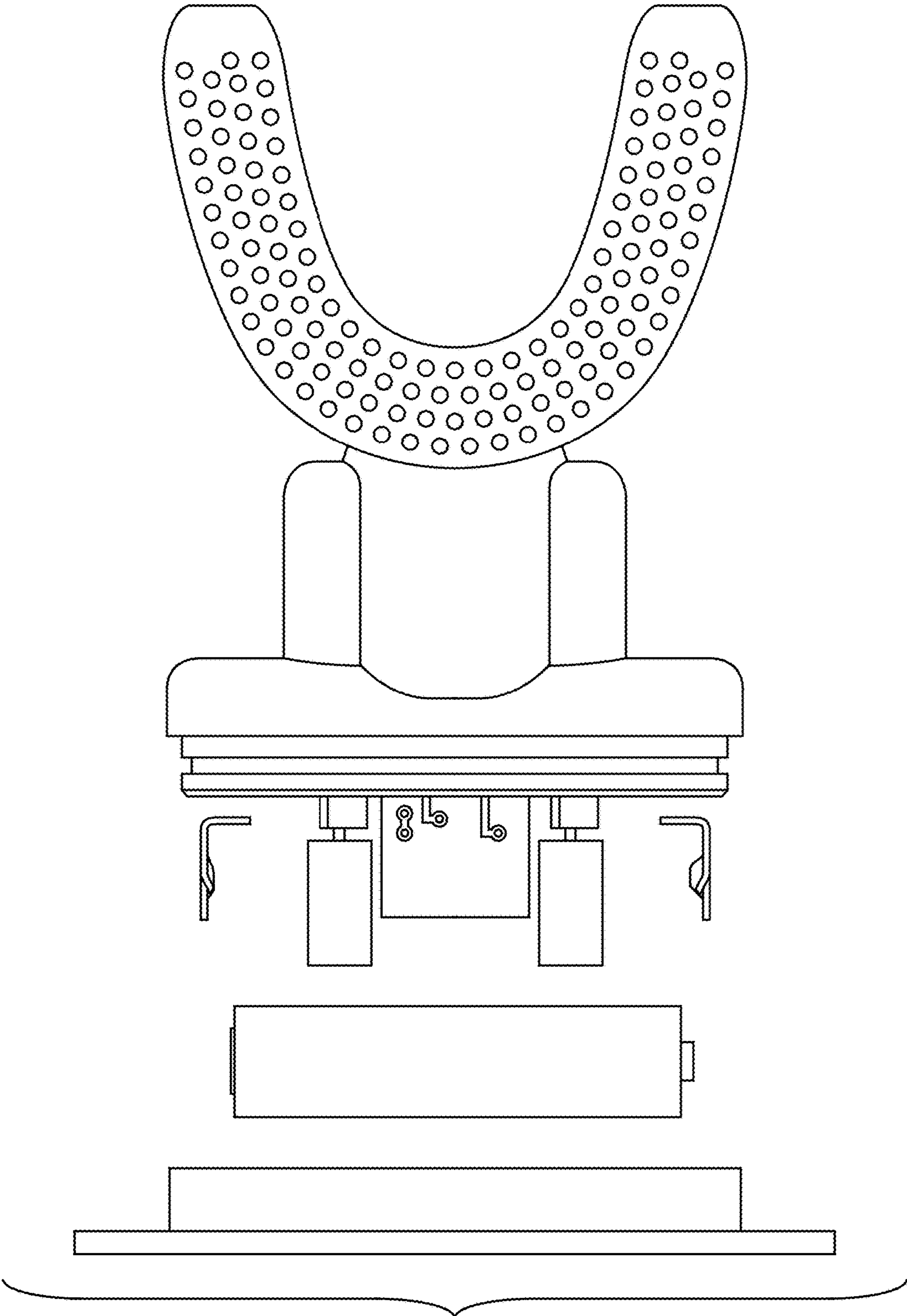


FIG. 4

UNITED STATES PATENT AND TRADEMARK OFFICE  
**CERTIFICATE OF CORRECTION**

PATENT NO. : D781,427 S  
APPLICATION NO. : 29/532686  
DATED : March 14, 2017  
INVENTOR(S) : Andrew Blank and Jeffrey Freedman

Page 1 of 1

It is certified that error appears in the above-identified patent and that said Letters Patent is hereby corrected as shown below:

On the Title Page

The listing of References Cited—OTHER PUBLICATIONS, item (56) on page 2, Column 2, should include the reference “SIMIELLI, F., et al., Mouthguard toothbrush. The Enthusiastic Engineers, Penn State University, 2011, 9 pages. Retrieved from <<http://www.personal.psu.edu/users/j/x/jxz5107/project%201.html>> on October 18, 2016.”

Signed and Sealed this  
Third Day of October, 2017



Joseph Matal  
*Performing the Functions and Duties of the  
Under Secretary of Commerce for Intellectual Property and  
Director of the United States Patent and Trademark Office*