



US00D781422S

(12) **United States Design Patent** (10) **Patent No.:** **US D781,422 S**
Hahn et al. (45) **Date of Patent:** **** Mar. 14, 2017**

(54) **KNEE IMPLANT**

DESCRIPTION

- (71) Applicant: **Blue Belt Technologies, Inc.**,
Pittsburgh, PA (US)
- (72) Inventors: **Adam Hahn**, Pittsburgh, PA (US);
David A. Fenyves, Hummelstown, PA
(US); **Barry Fell**, Hummelstown, PA
(US); **Jess Lonner**, Wynnewood, PA
(US)
- (73) Assignee: **Blue Belt Technologies, Inc.**,
Pittsburgh, PA (US)
- (**) Term: **15 Years**
- (21) Appl. No.: **29/547,416**
- (22) Filed: **Dec. 3, 2015**

Related U.S. Application Data

- (63) Continuation-in-part of application No. 29/441,893,
filed on Jan. 10, 2013, now abandoned.
- (51) **LOC (10) Cl.** **24-02**
- (52) **U.S. Cl.**
USPC **D24/155**
- (58) **Field of Classification Search**
USPC D24/155

(Continued)

(56) **References Cited**

U.S. PATENT DOCUMENTS

- D242,827 S * 12/1976 Elliott D24/155
- D245,920 S * 9/1977 Shen 623/18.11

(Continued)

Primary Examiner — Charles Hanson

(57) **CLAIM**

The ornamental design for a knee implant, as shown and described.

FIG. 1 is an isometric view of a knee implant, showing our new design, the base tibial component detached for ease of illustration;

FIG. 2 is a front view thereof;

FIG. 3 is a back view thereof;

FIG. 4 is a right side view thereof;

FIG. 5 is a left side view thereof;

FIG. 6 is a top view thereof;

FIG. 7 is a bottom view thereof;

FIG. 8 is an isometric view of a knee implant, the top tibial component detached for ease of illustration;

FIG. 9 is a front view thereof;

FIG. 10 is a back view thereof;

FIG. 11 is a left side view thereof;

FIG. 12 is a right side view thereof;

FIG. 13 is a top view thereof;

FIG. 14 is a bottom view thereof;

FIG. 15 is an isometric view of a knee implant, the femoral component detached for ease of illustration;

FIG. 16 is a front view thereof;

FIG. 17 is a back view thereof;

FIG. 18 is a left side view thereof;

FIG. 19 is a right side view thereof;

FIG. 20 is a top view thereof;

FIG. 21 is a bottom view thereof;

FIG. 22 is an isometric view of a knee implant, with all components assembled;

FIG. 23 is a front view thereof;

FIG. 24 is a back view thereof;

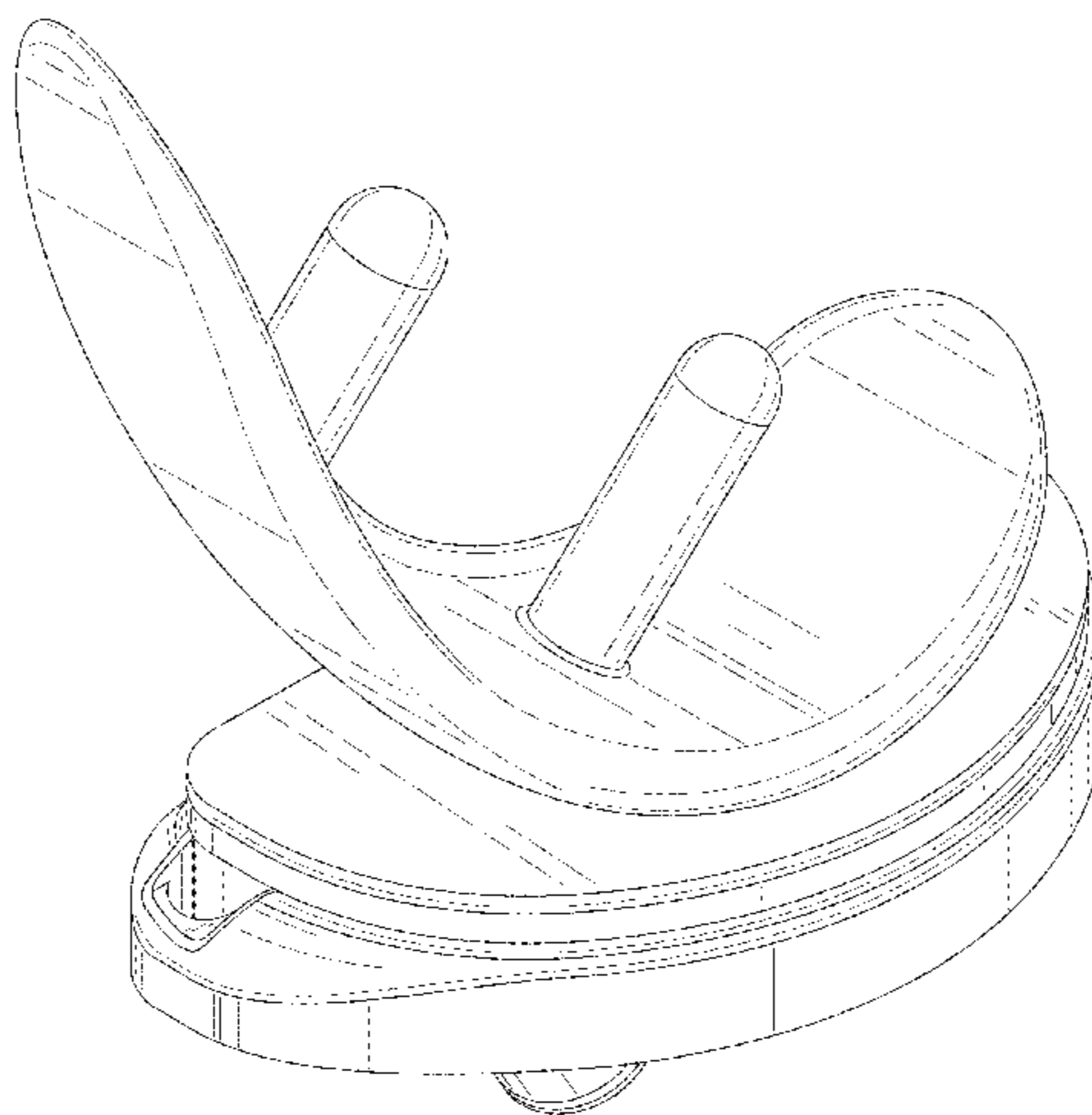
FIG. 25 is a left side view thereof;

FIG. 26 is a right side view thereof;

FIG. 27 is a top view thereof; and,

FIG. 28 is a bottom view thereof.

1 Claim, 28 Drawing Sheets



(58) **Field of Classification Search**

CPC A61F 2/3859; A61F 2/38; A61F 2/389;
A61F 2/3886; A61F 2310/00023

See application file for complete search history.

(56) **References Cited**

U.S. PATENT DOCUMENTS

D291,003 S * 7/1987 Huckstep D24/155
5,019,104 A * 5/1991 Whiteside A61F 2/3877
264/274
D326,156 S * 5/1992 Martinez D24/155
5,171,282 A * 12/1992 Pequignot A61F 2/3859
623/20.35
5,549,688 A * 8/1996 Ries A61F 2/3859
623/20.35
D374,078 S * 9/1996 Johnson D24/155
5,989,472 A * 11/1999 Ashby A61F 2/3877
264/250
D473,307 S * 4/2003 Cooke D24/155
6,712,856 B1 * 3/2004 Carignan A61F 2/30942
623/20.35
6,942,475 B2 * 9/2005 Ensign A61F 2/30942
249/55

* cited by examiner

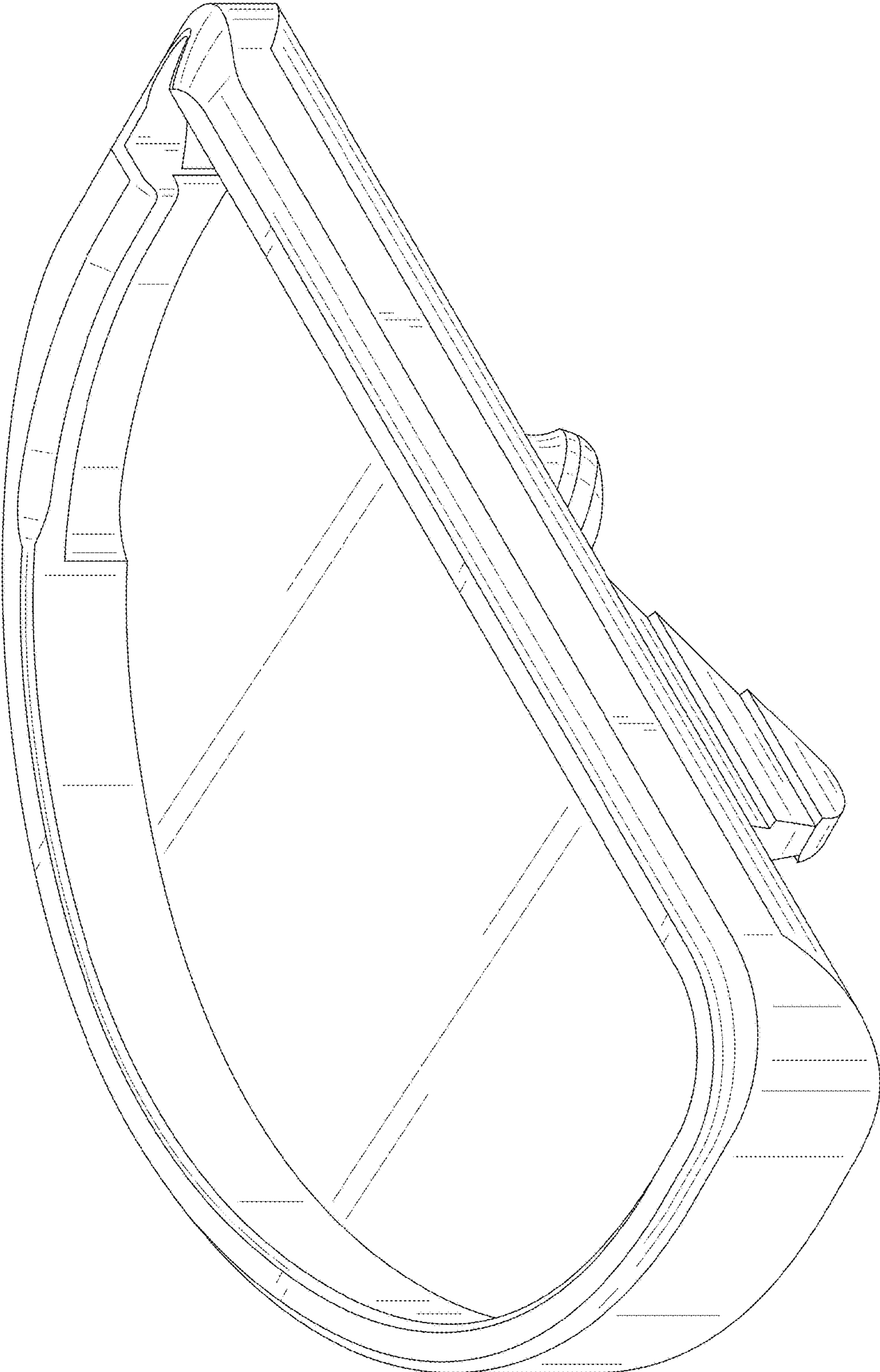


FIG. 1

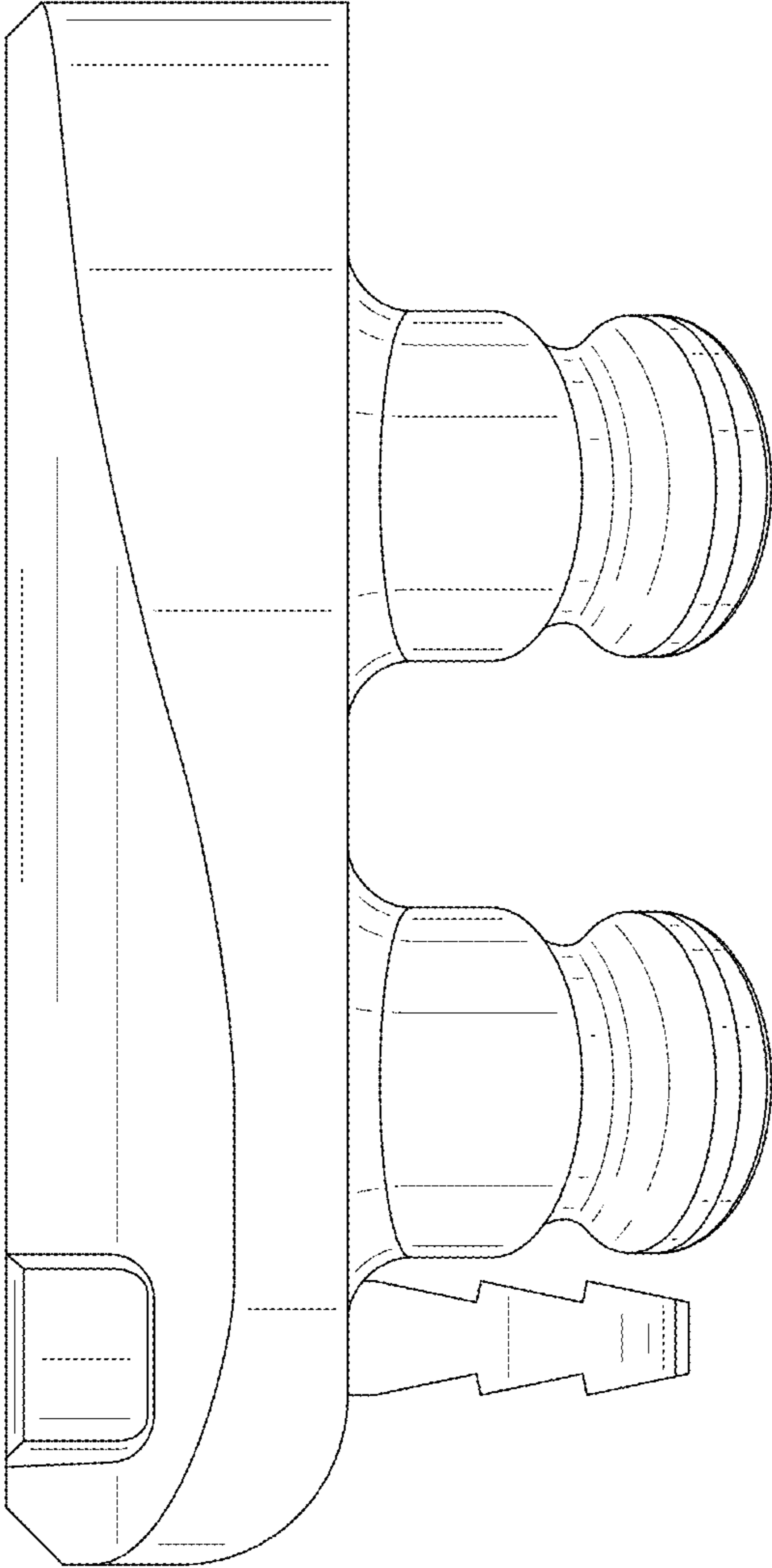


FIG. 2

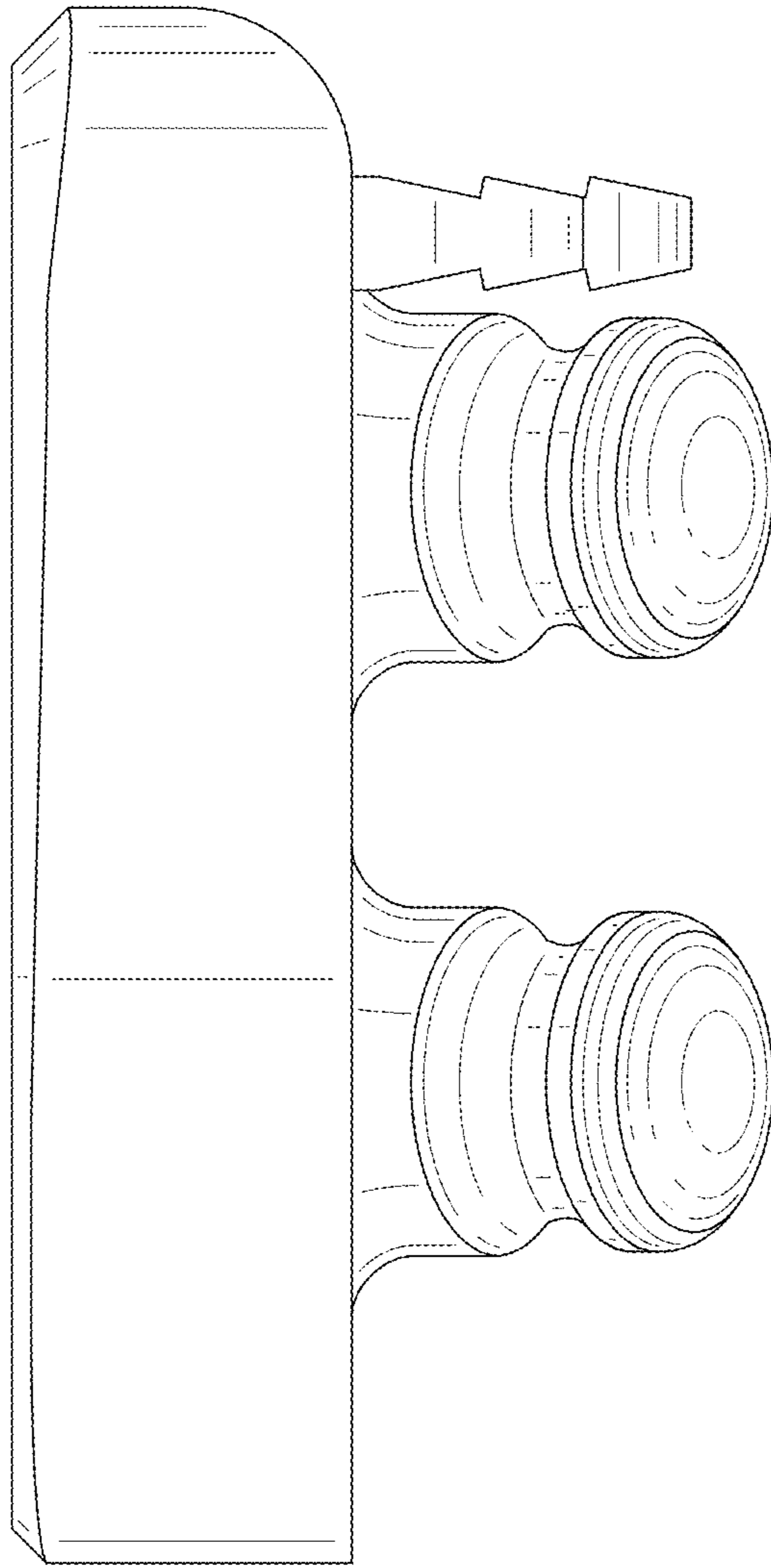


FIG. 3

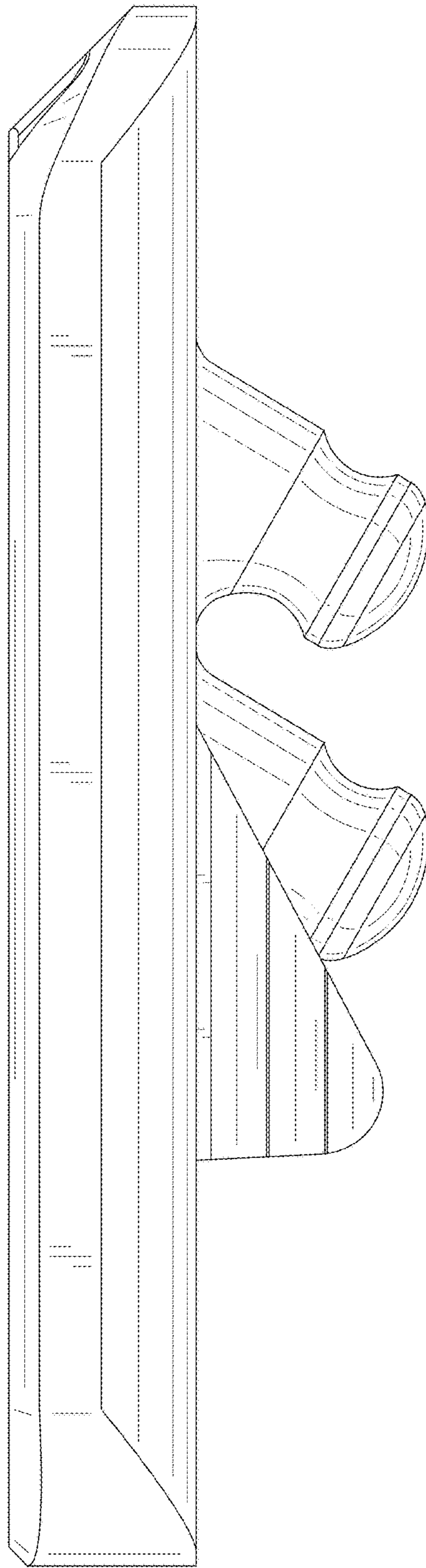


FIG. 4

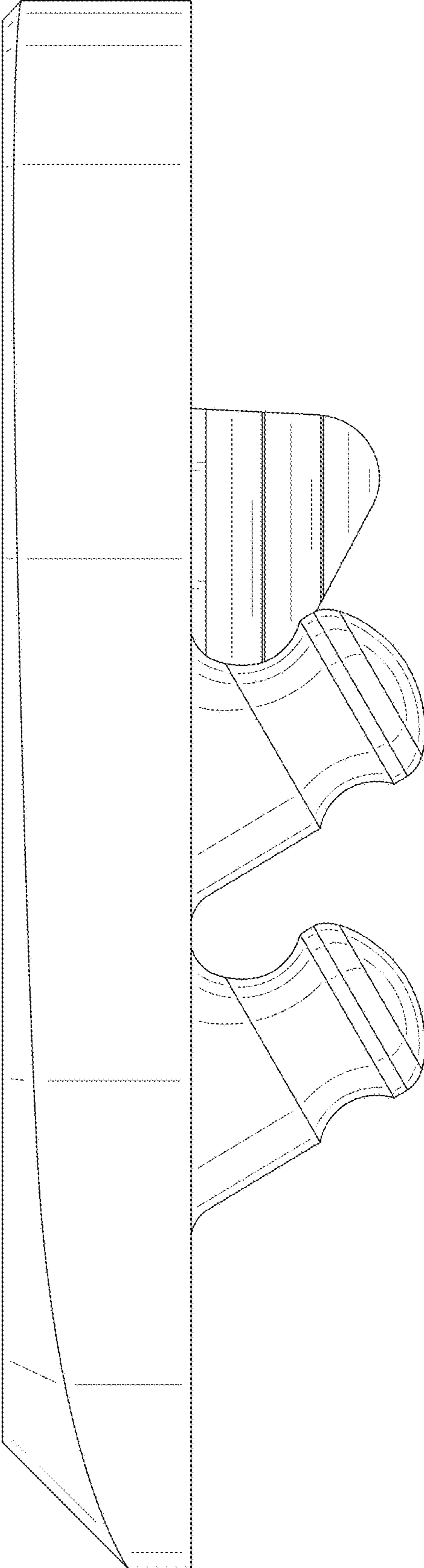


FIG. 5

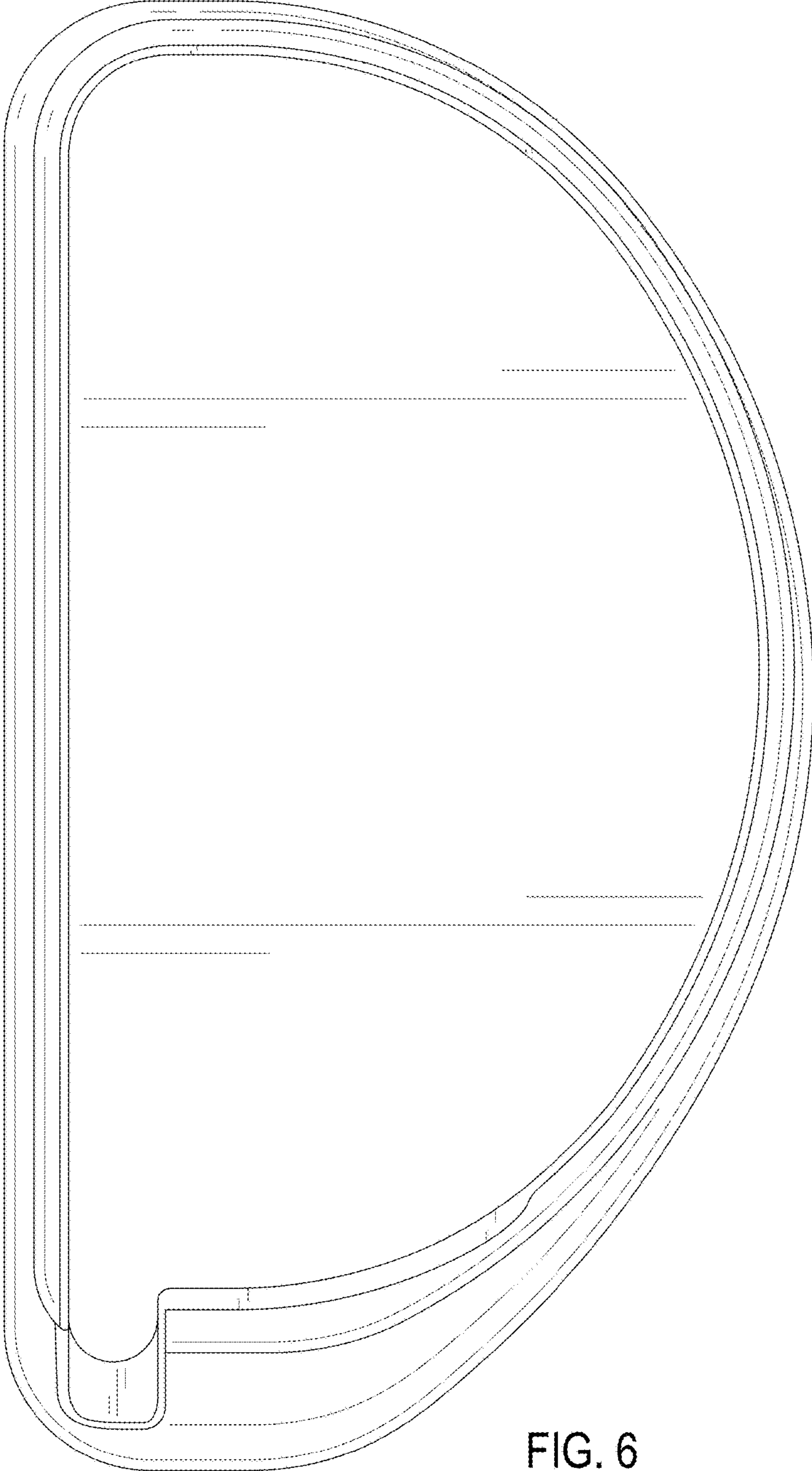


FIG. 6

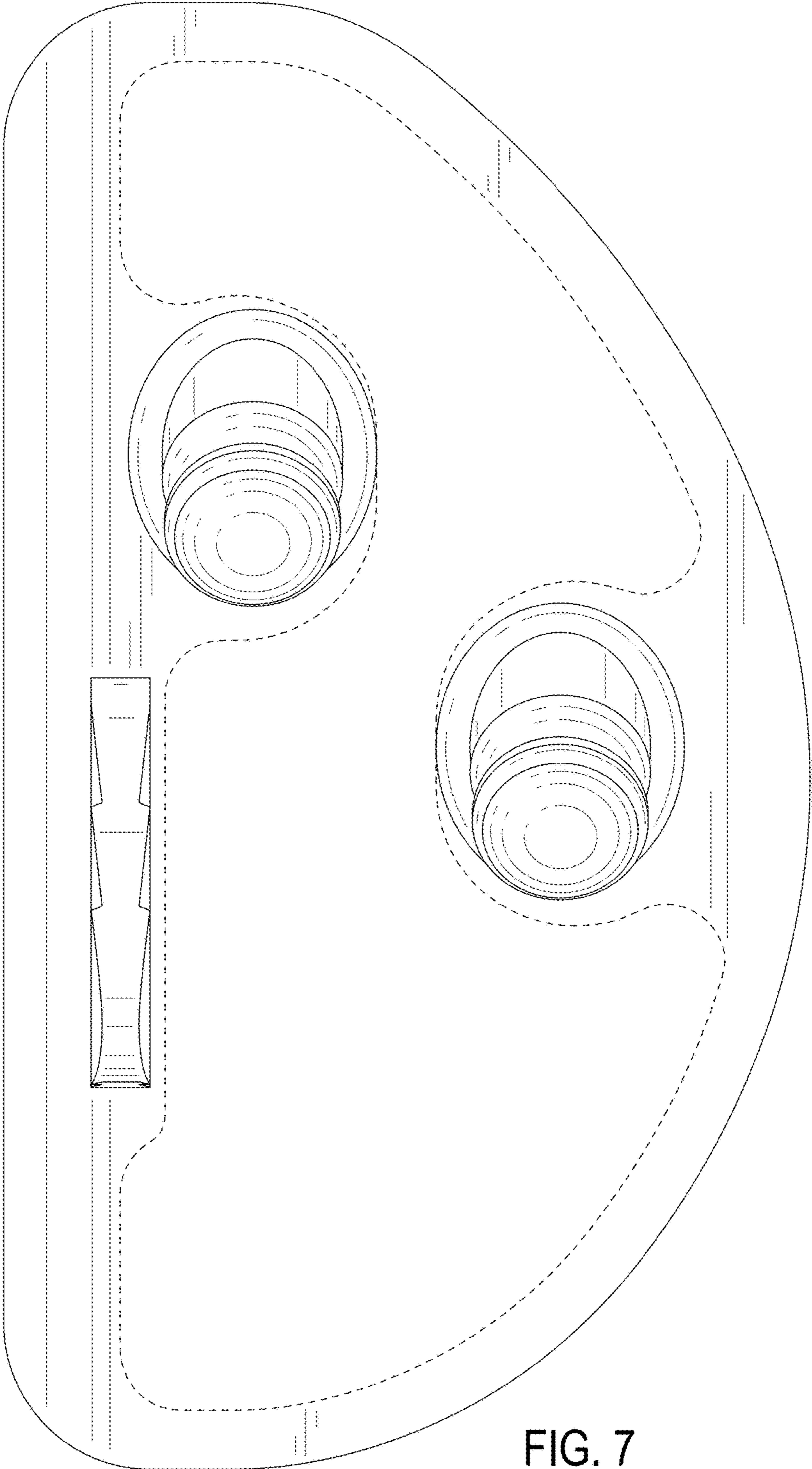


FIG. 7

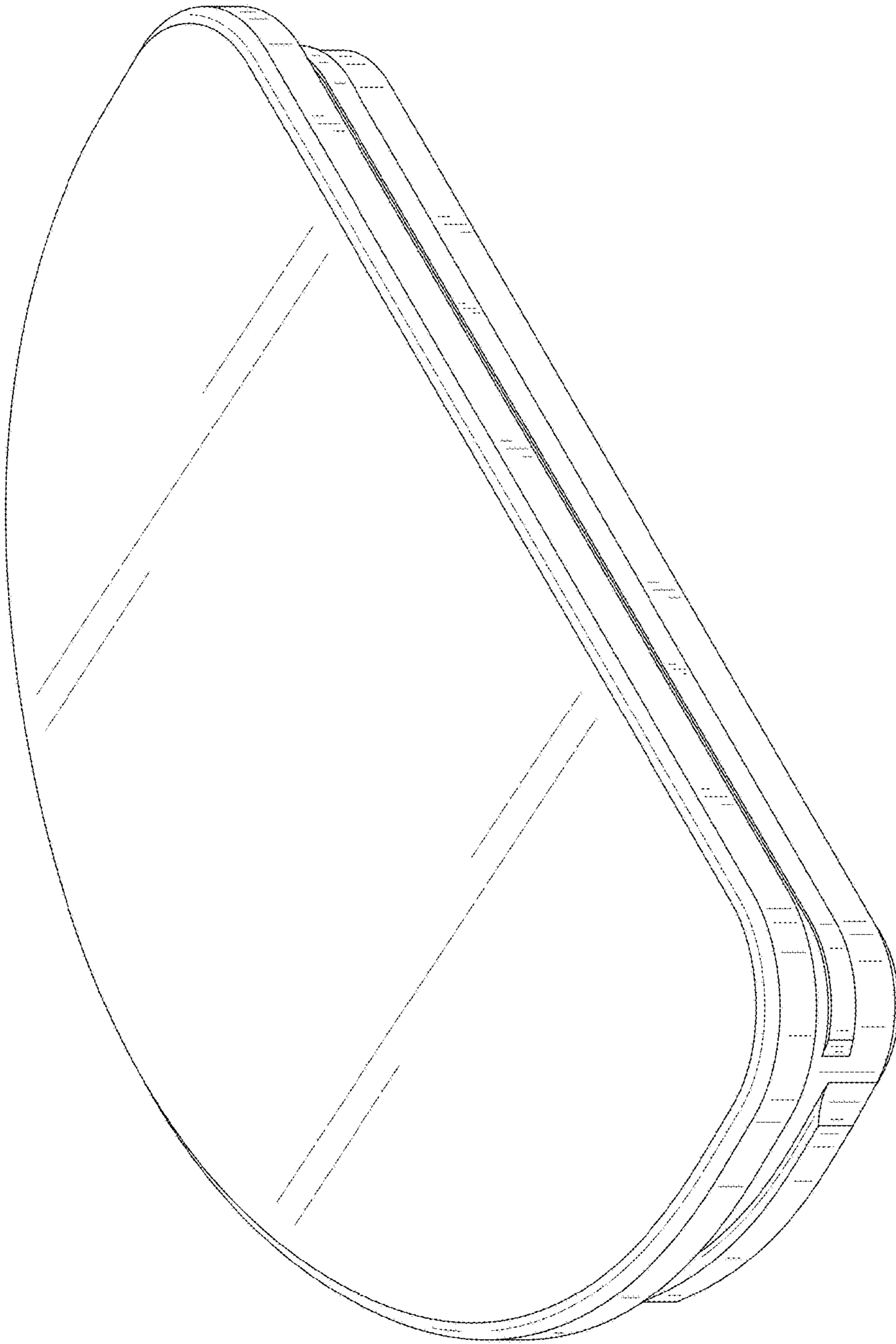


FIG. 8

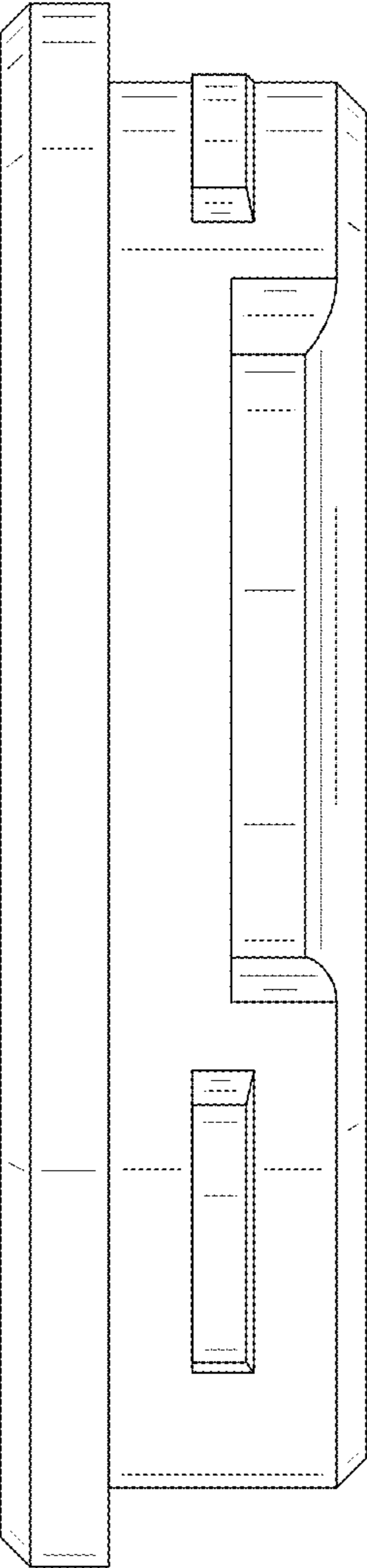


FIG. 9

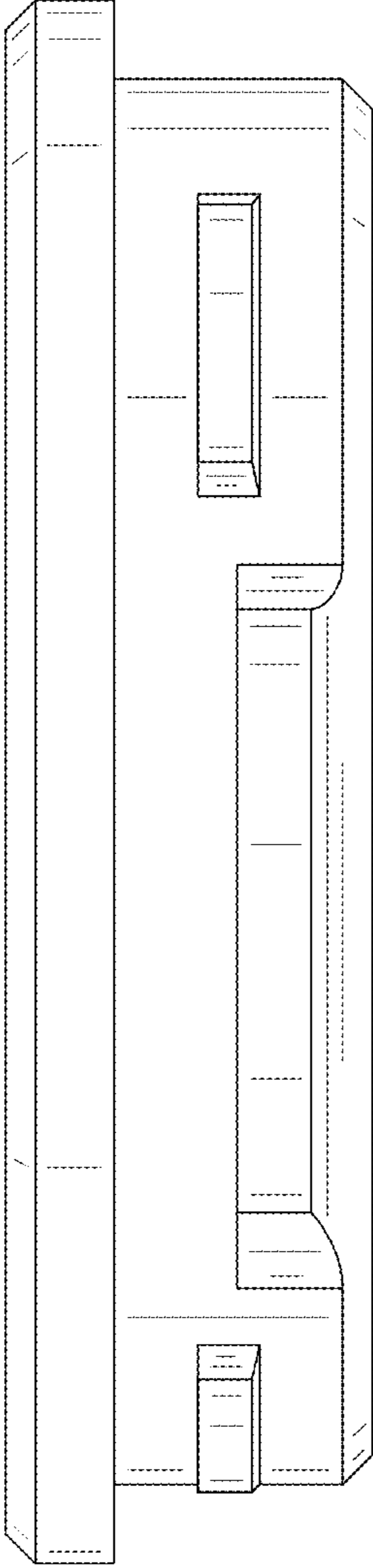


FIG. 10

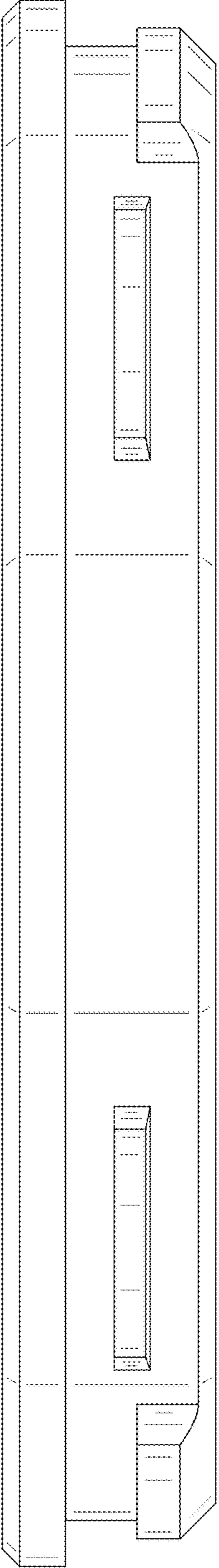


FIG. 11

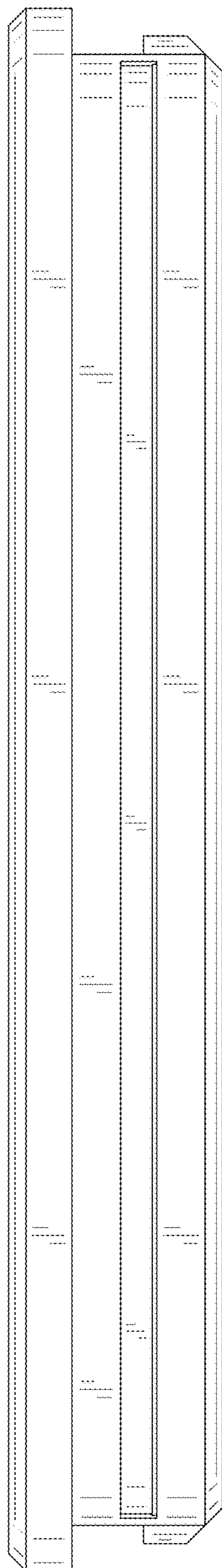


FIG. 12

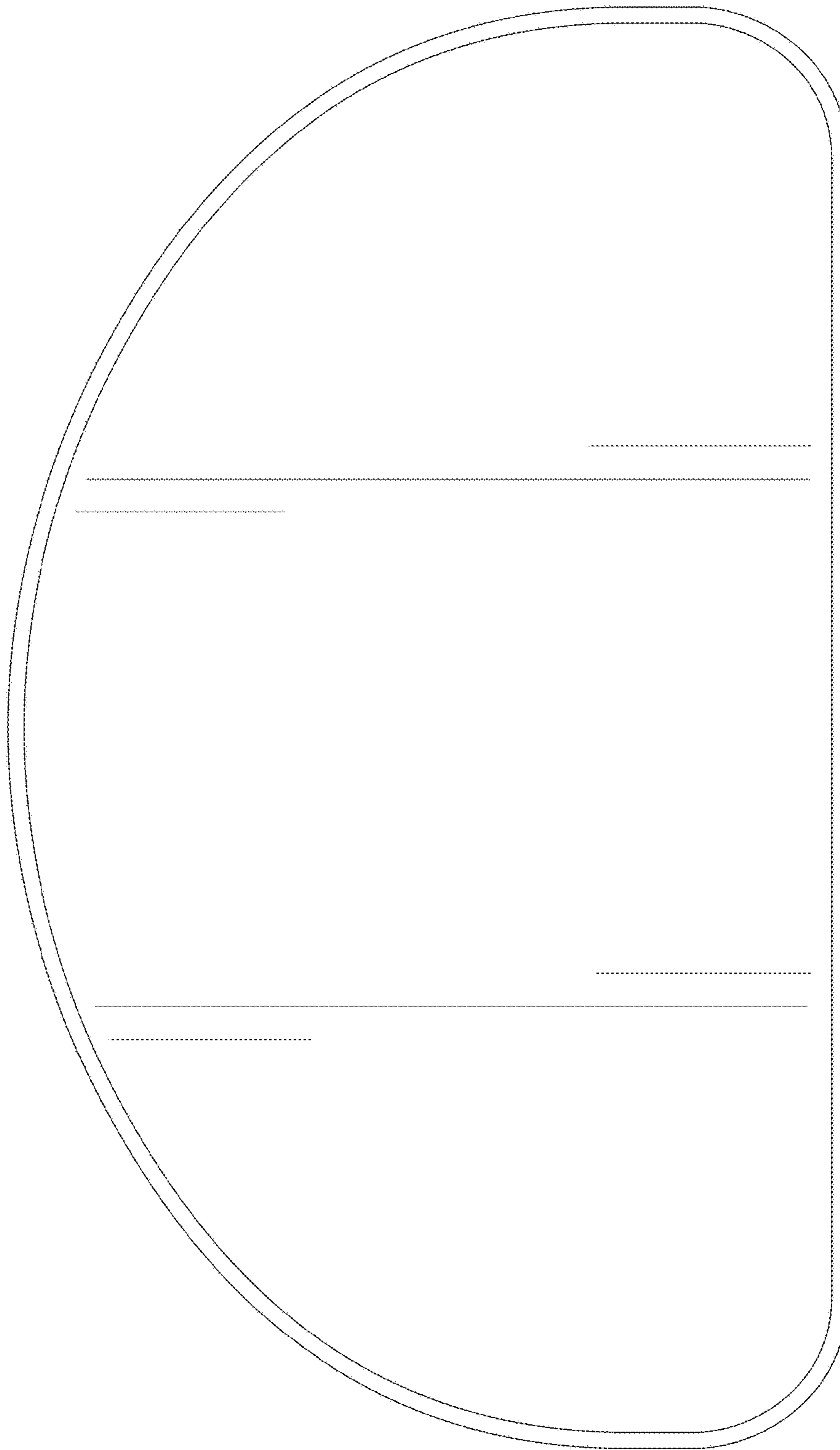


FIG. 13

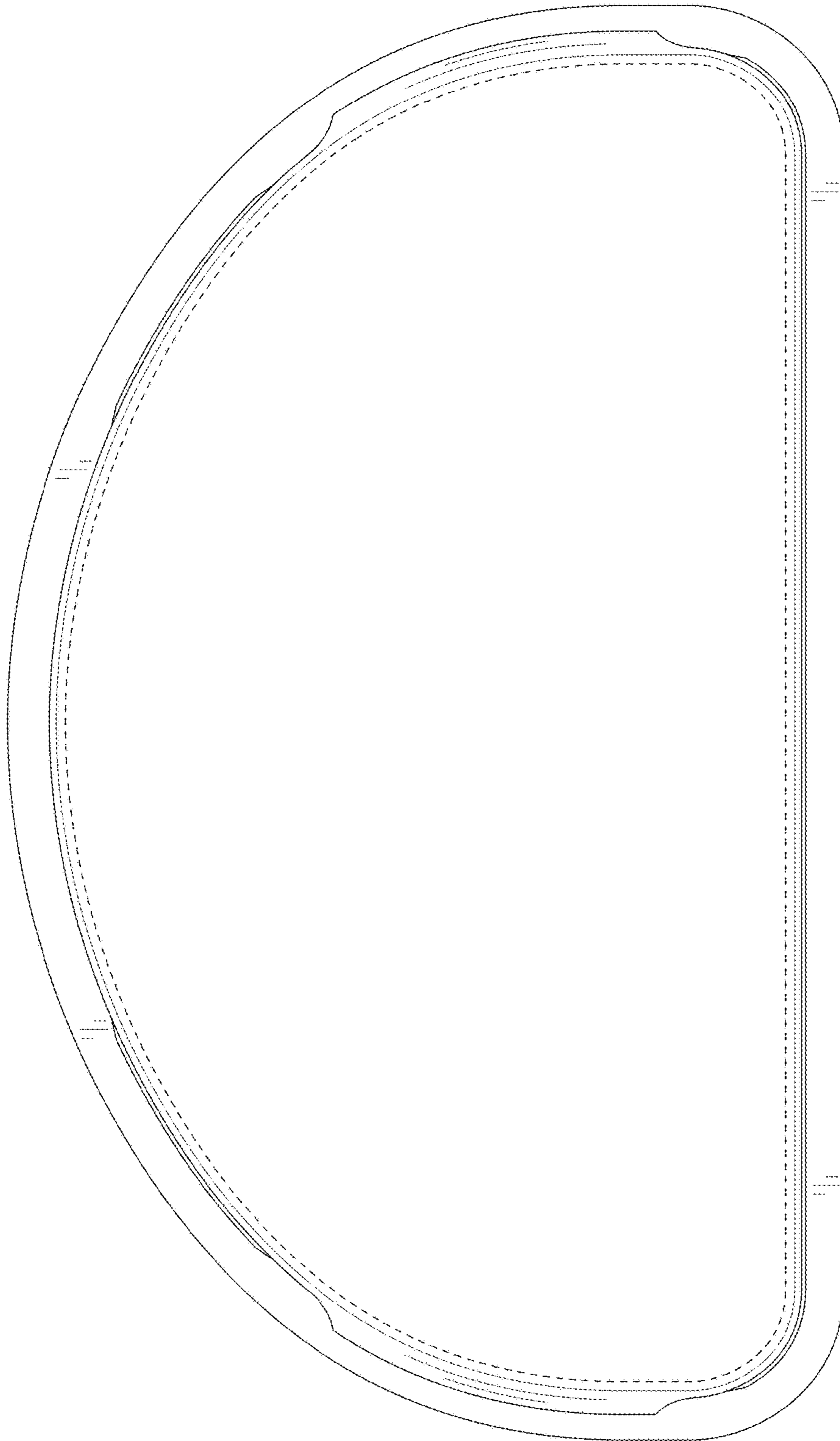


FIG. 14

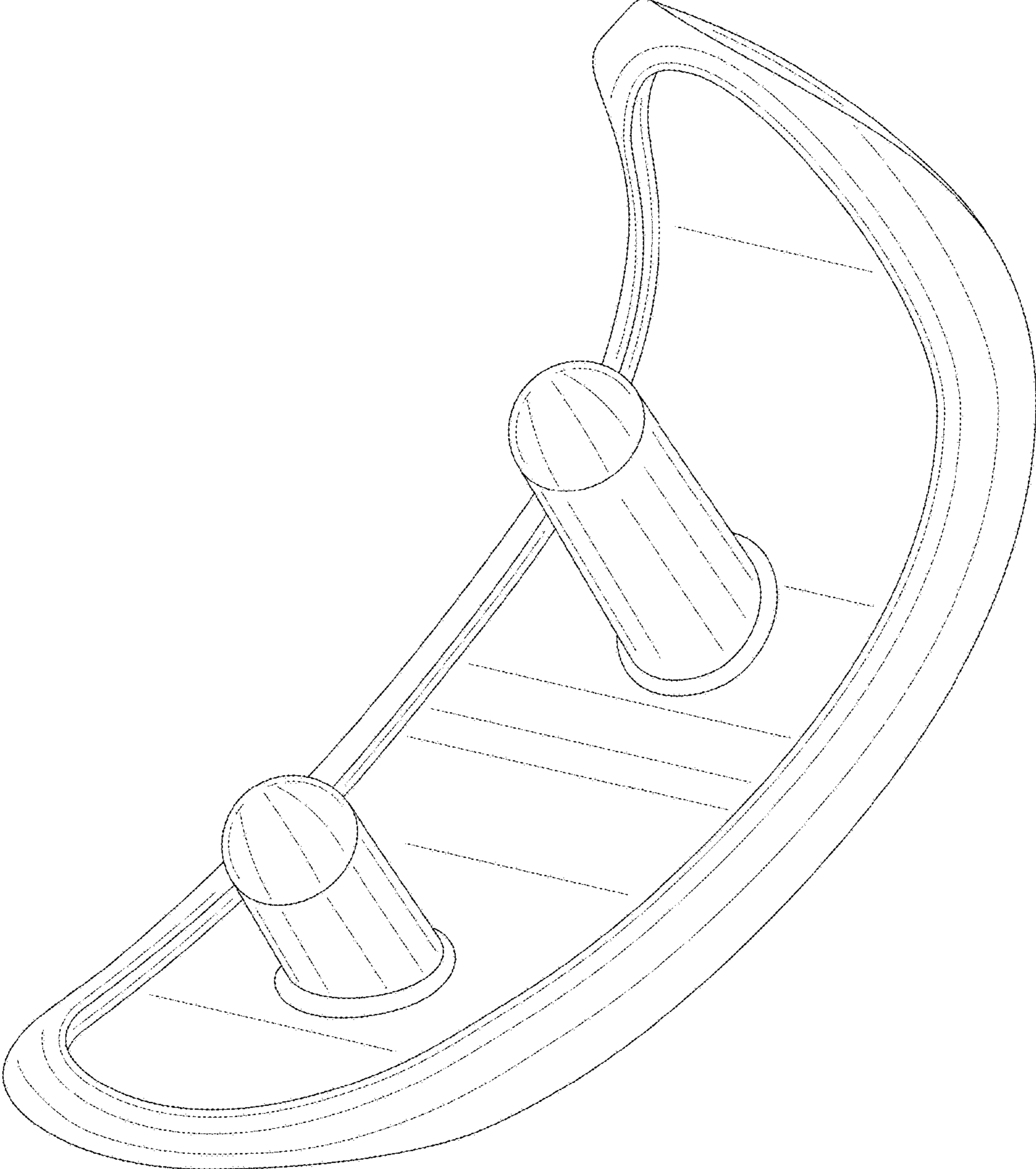


FIG. 15

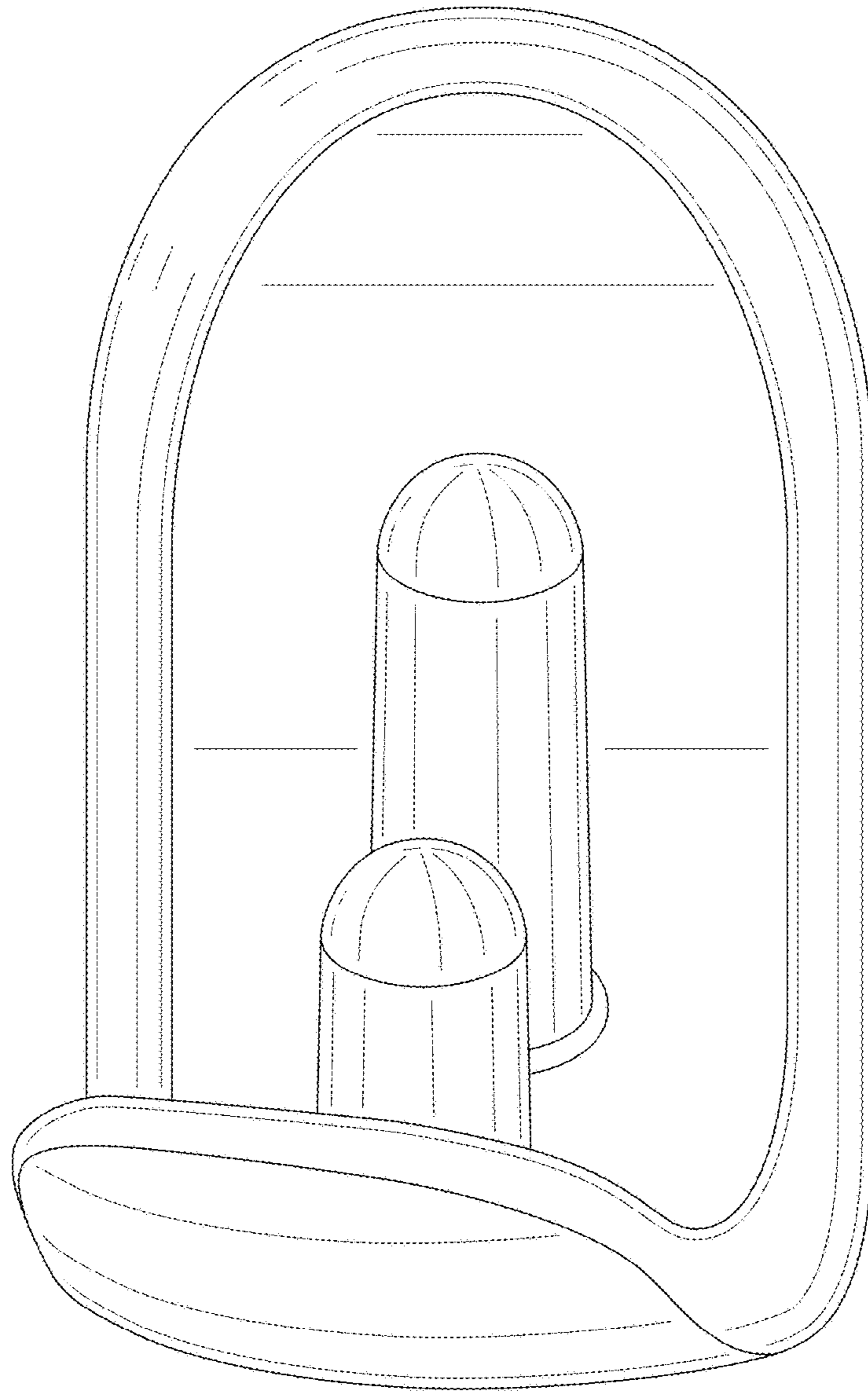


FIG. 16

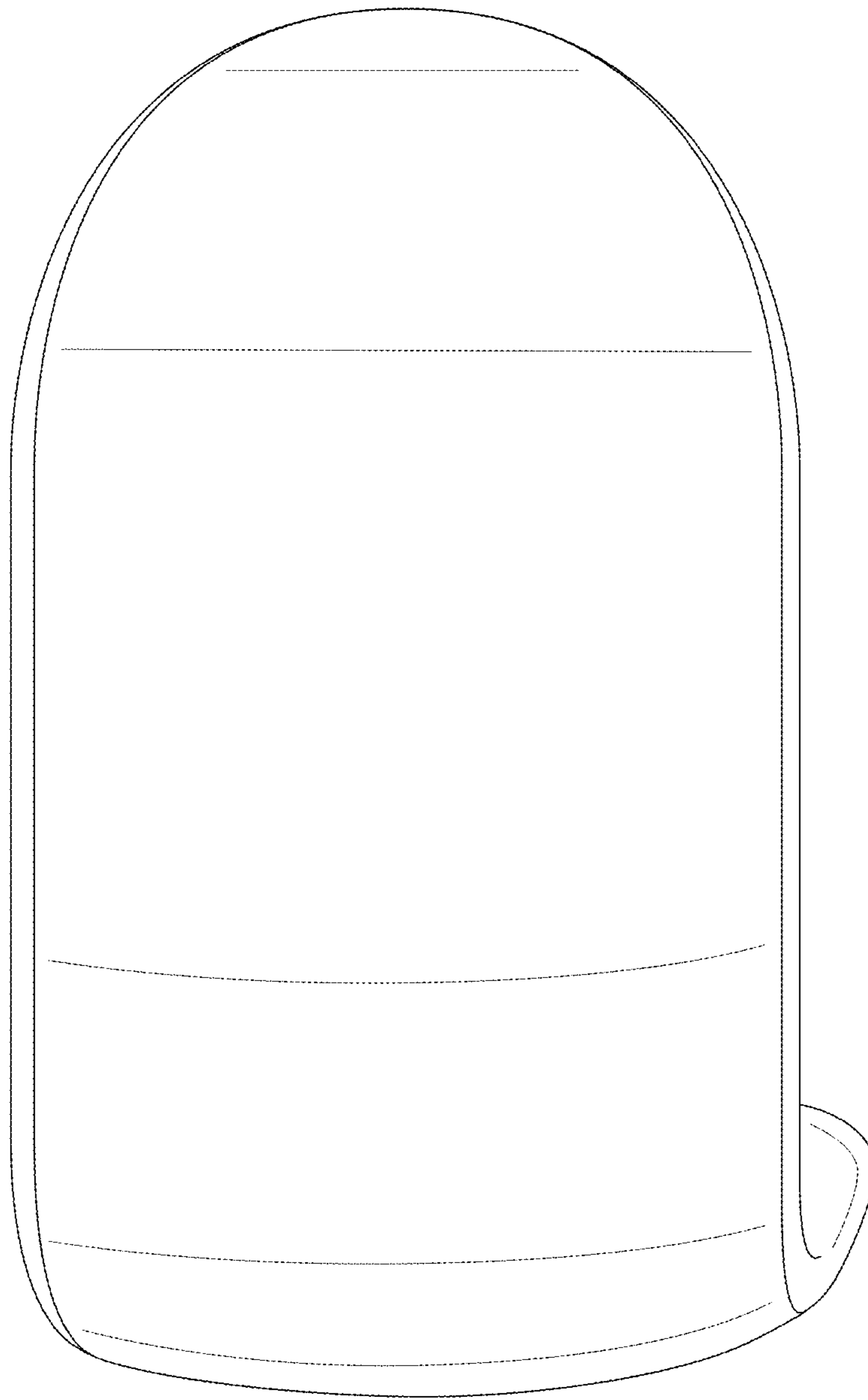


FIG. 17

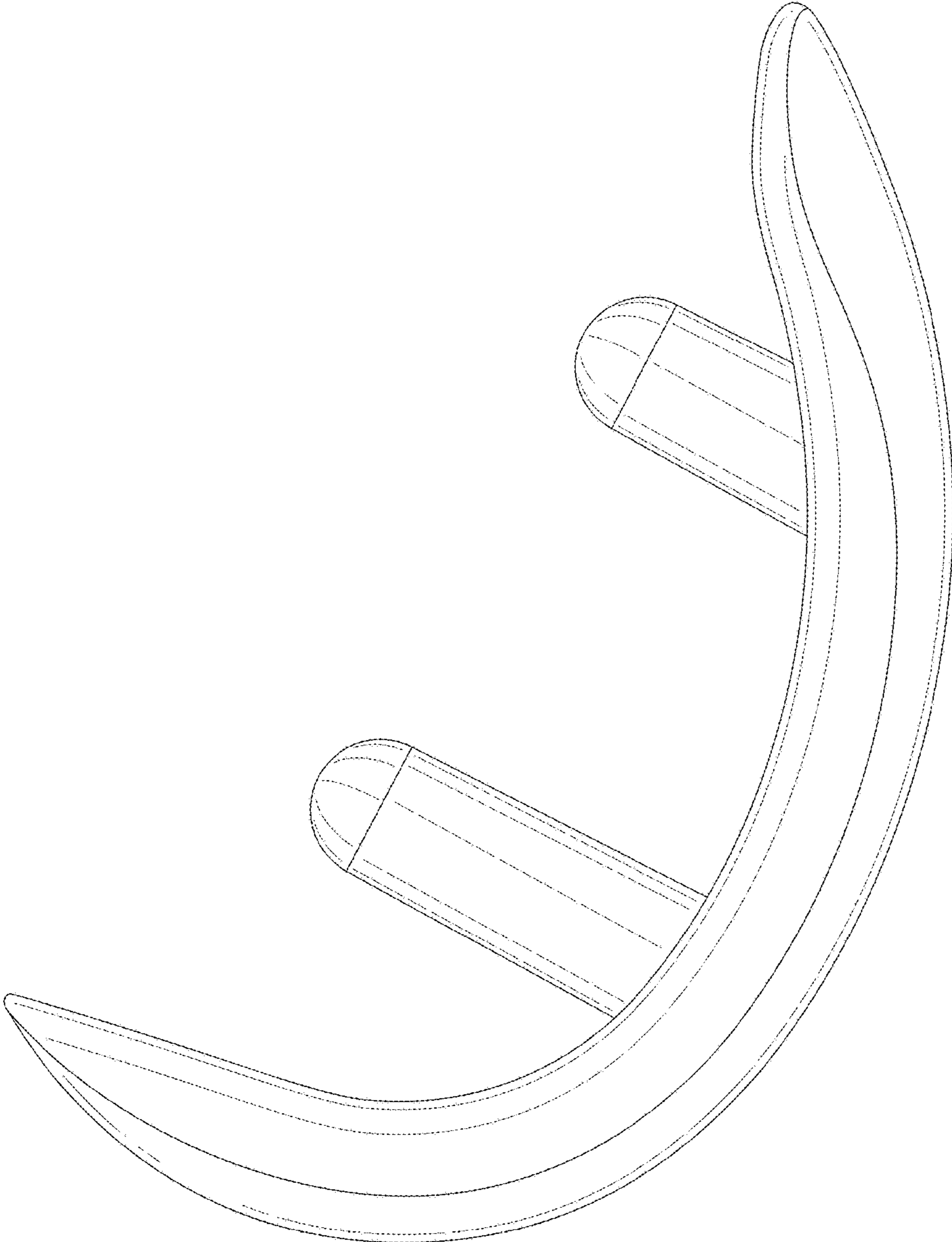


FIG. 18

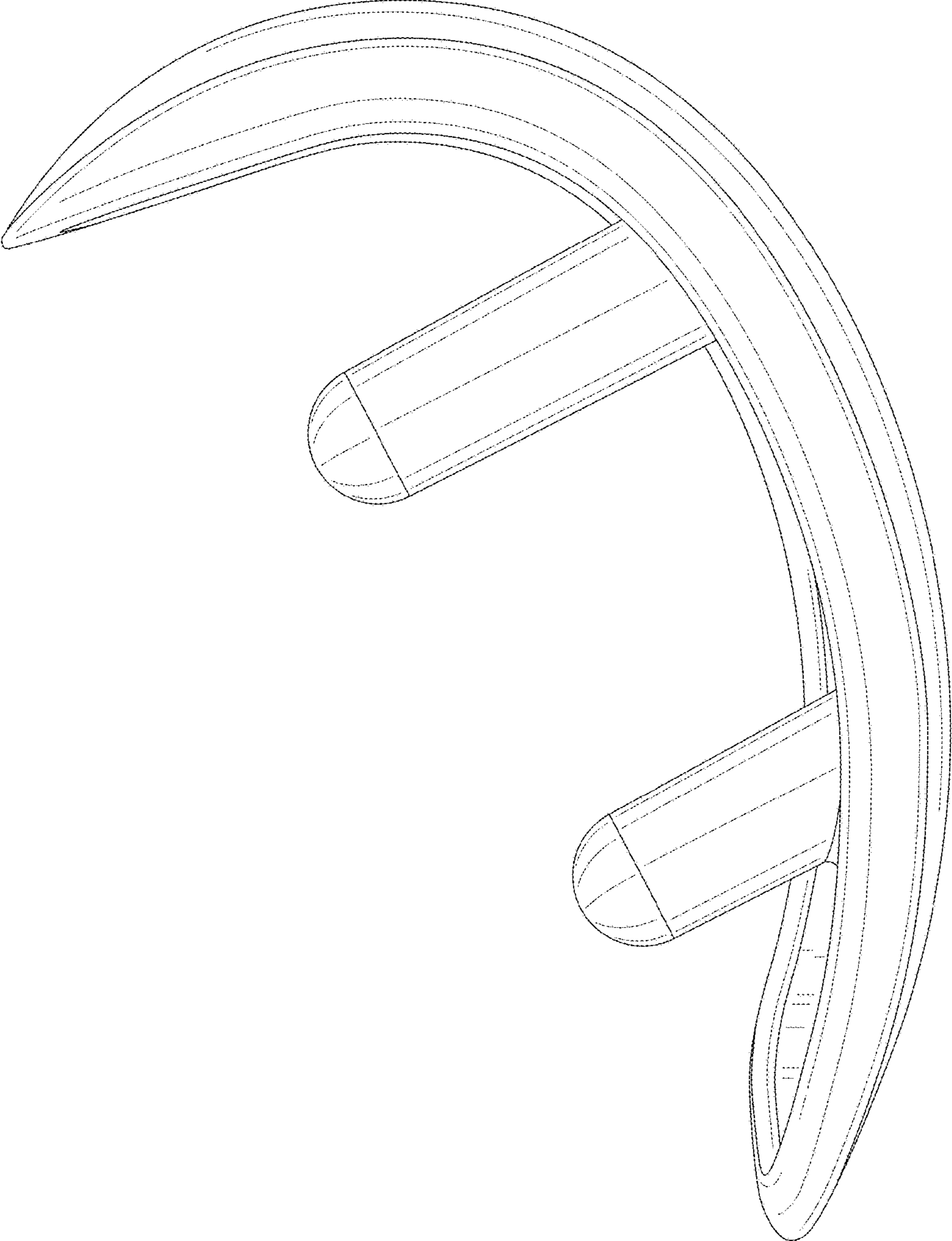


FIG. 19

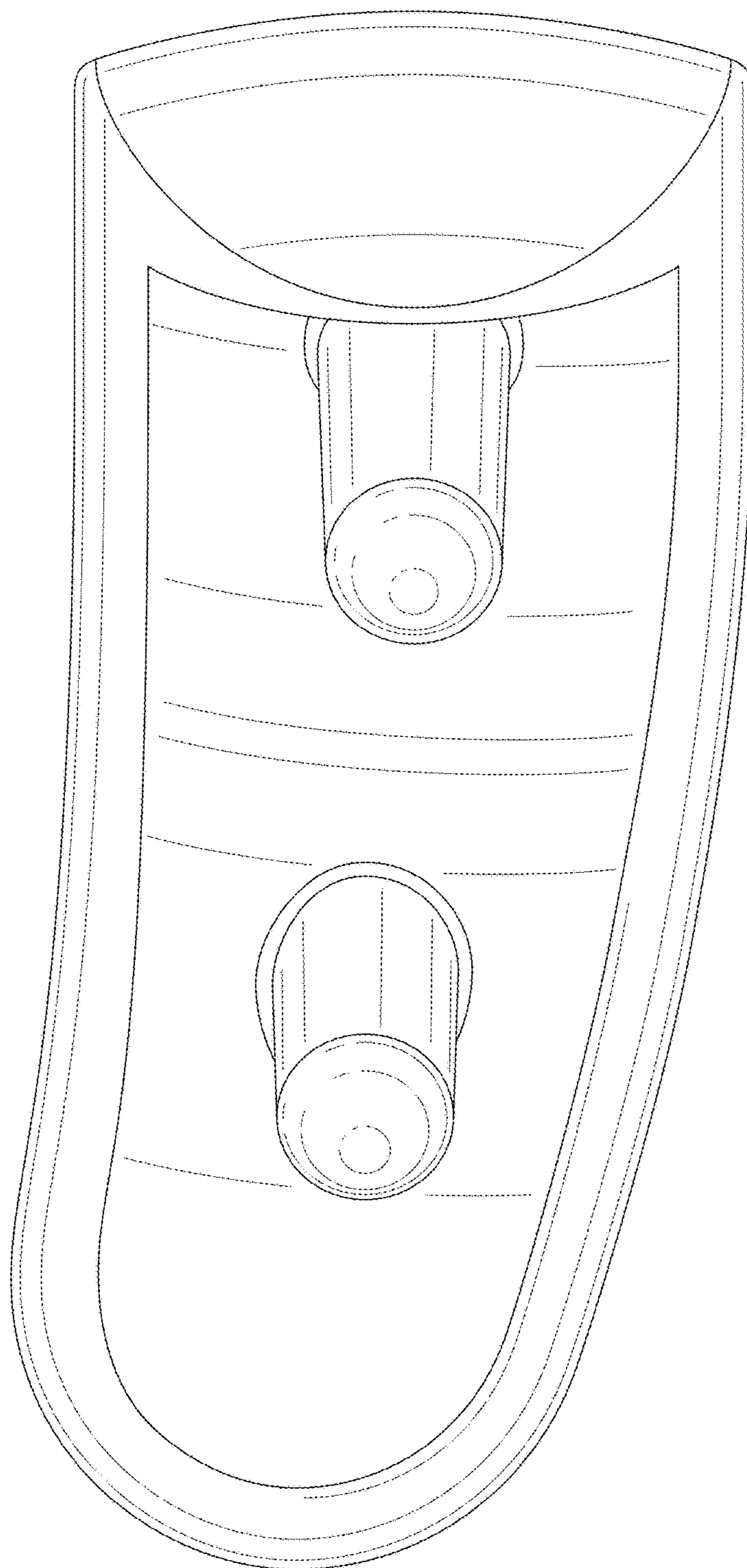


FIG. 20

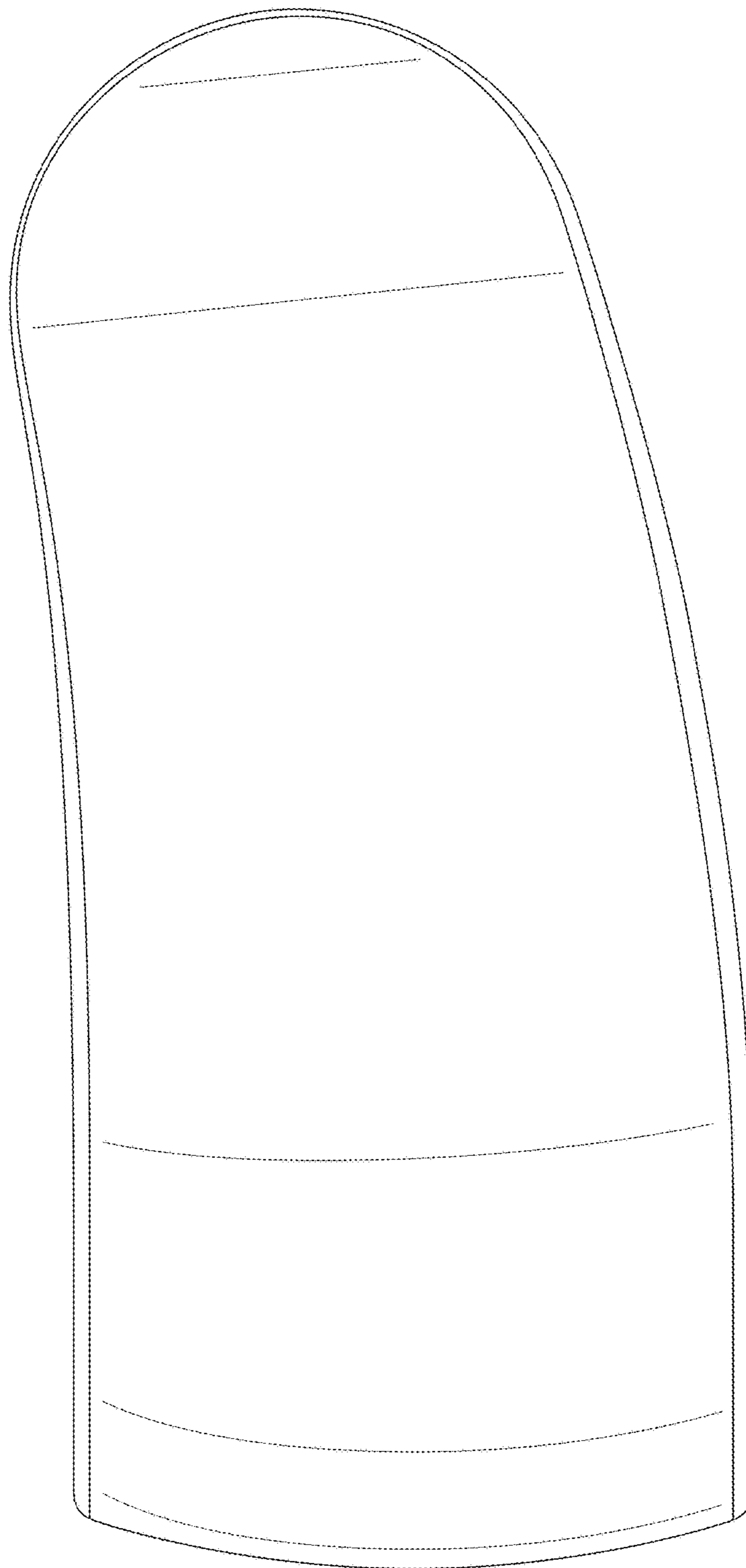


FIG. 21

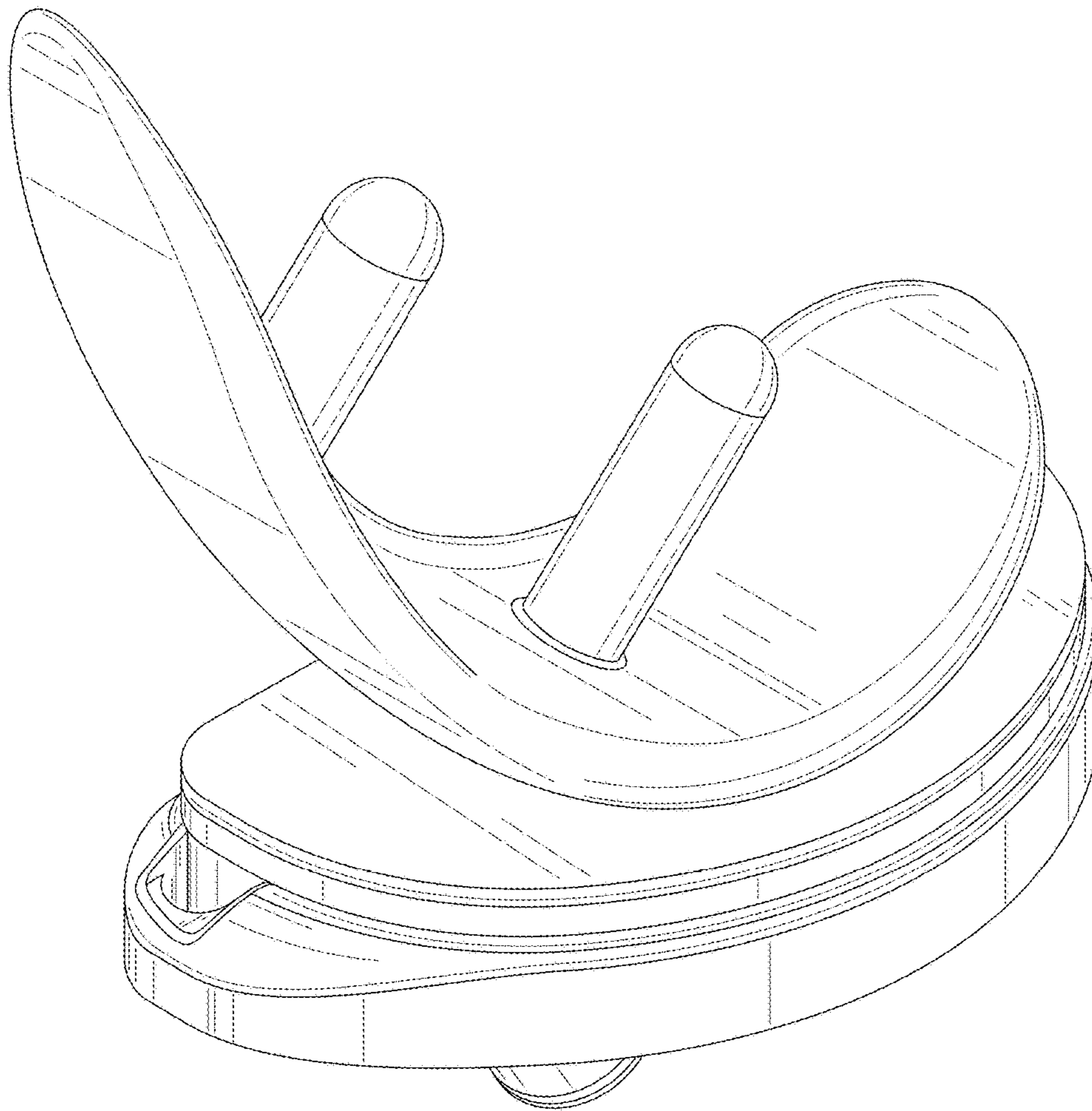


FIG. 22

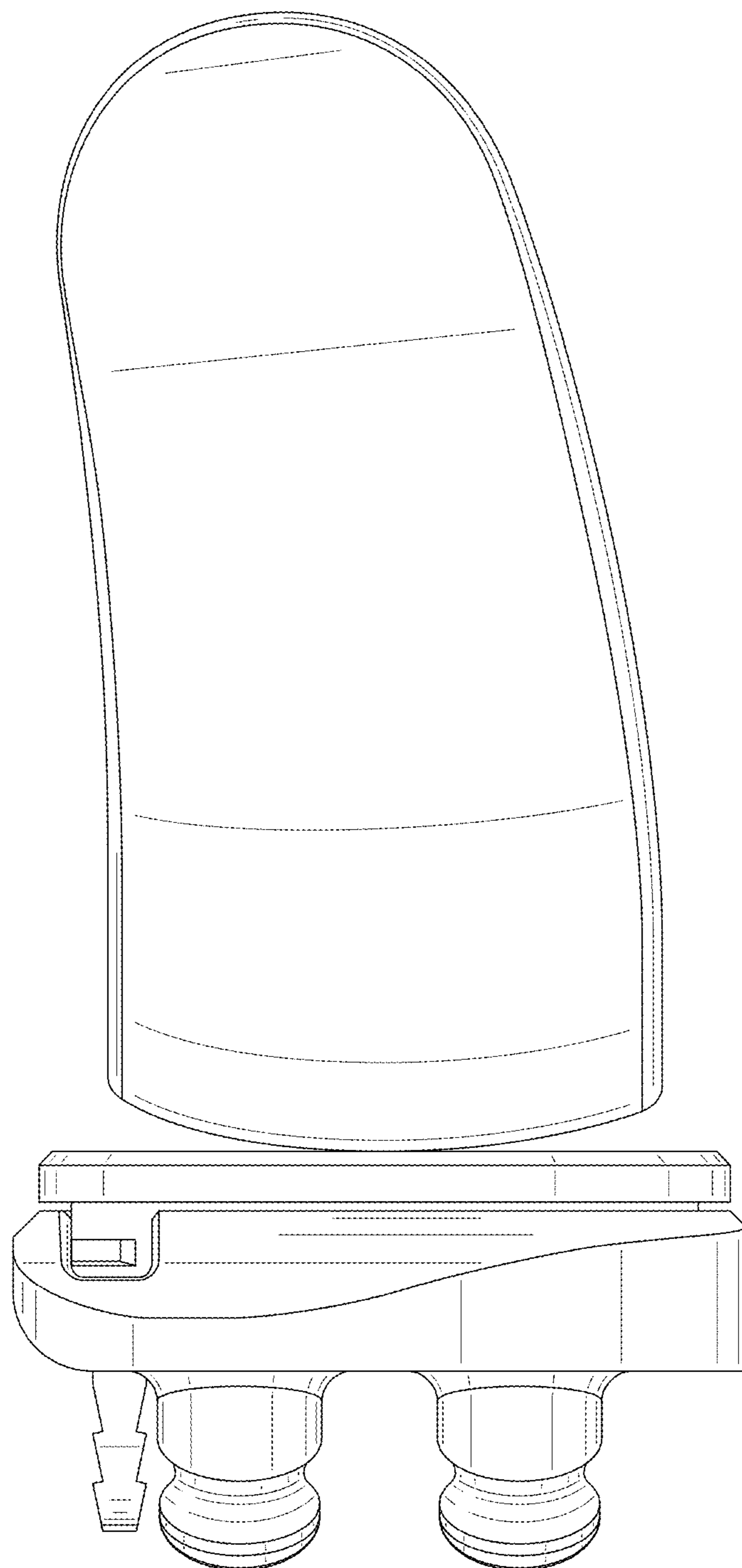


FIG. 23

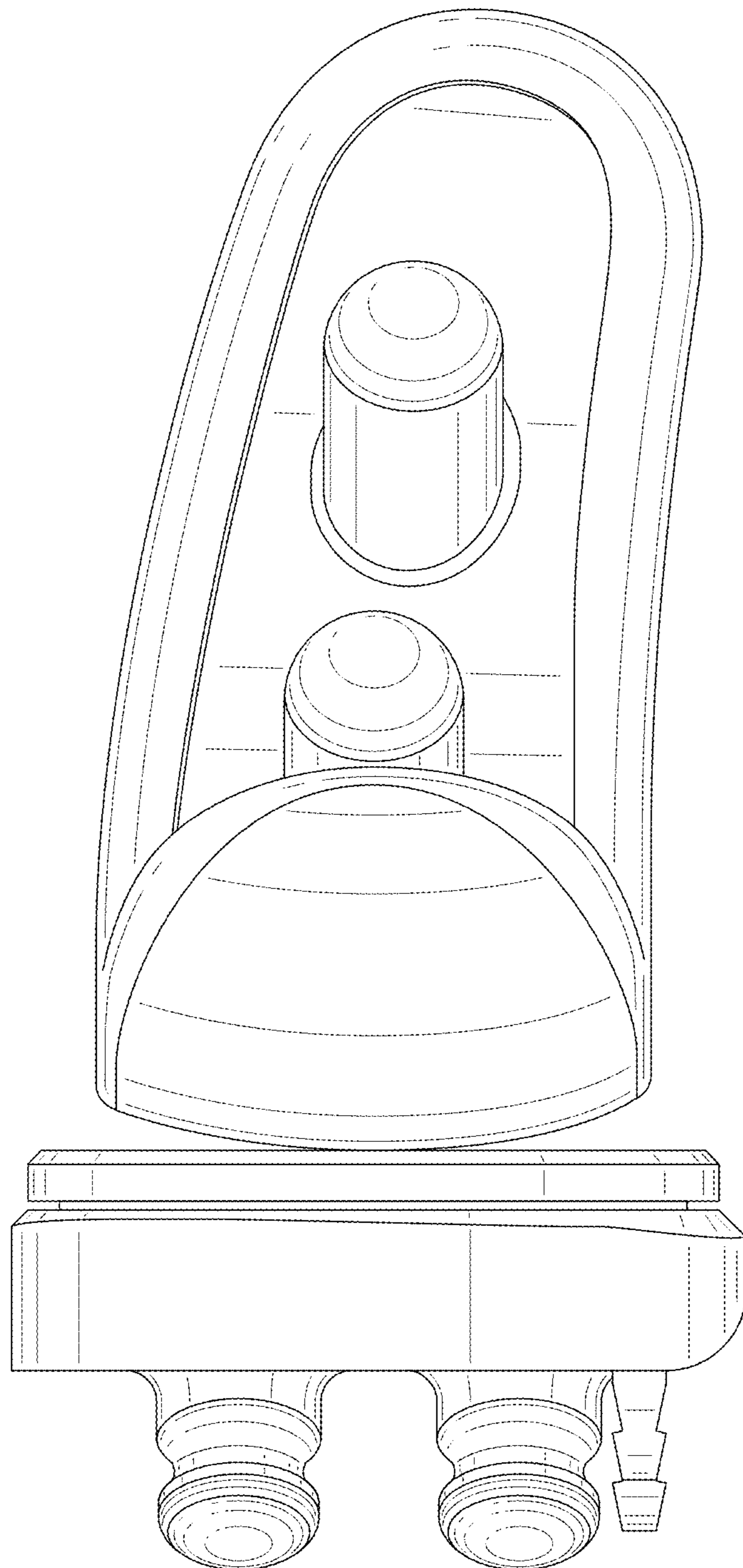


FIG. 24

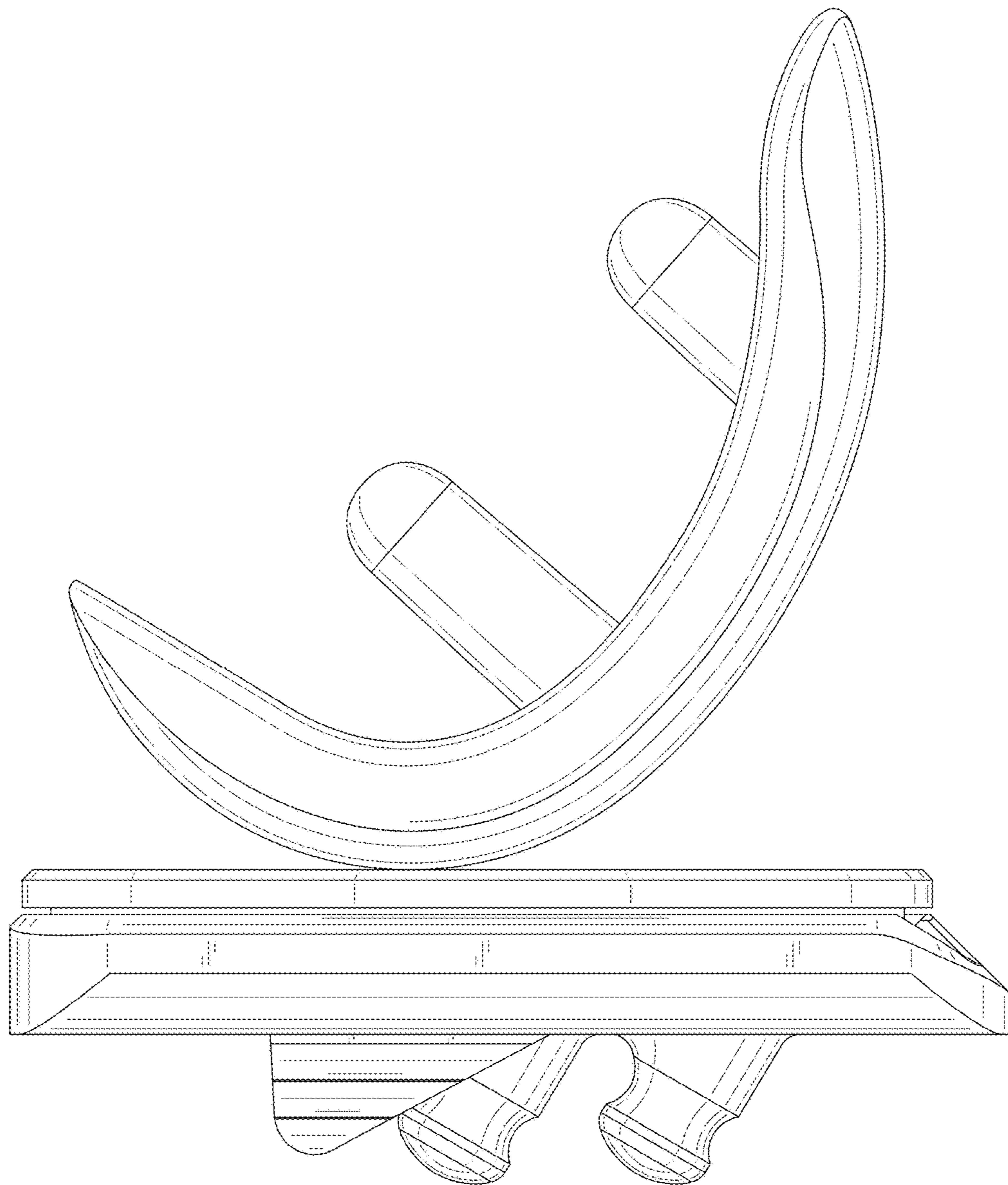


FIG. 25

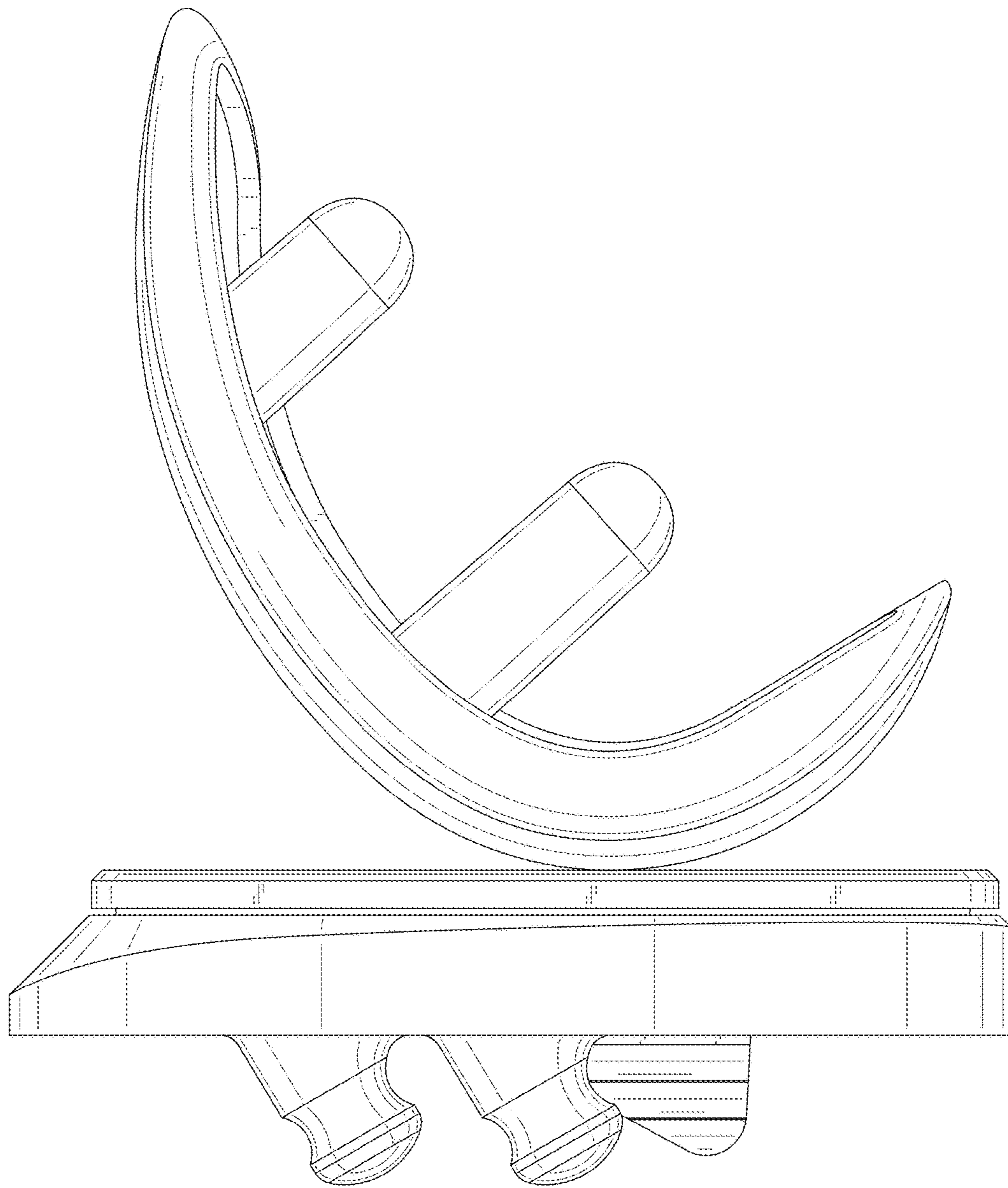


FIG. 26

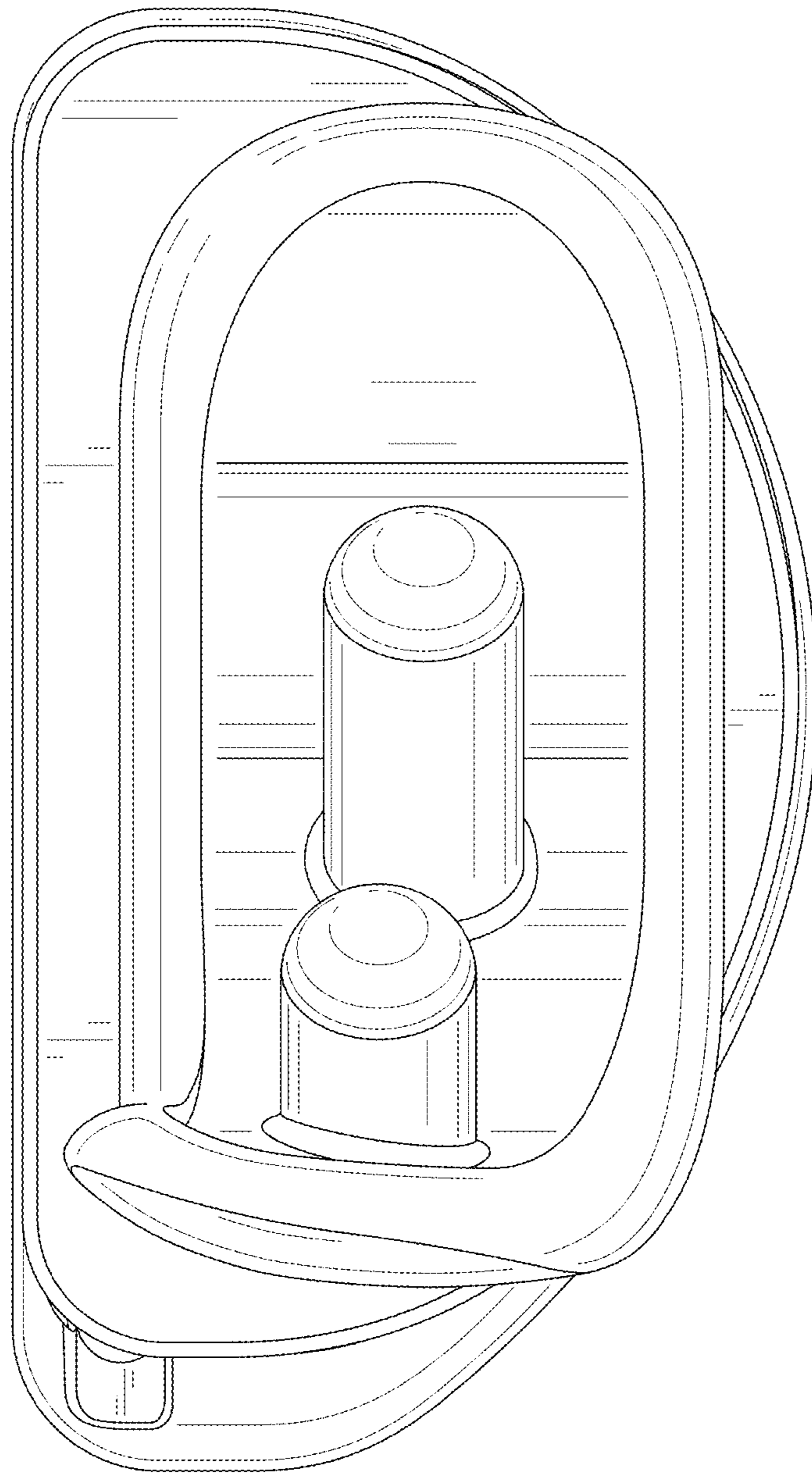


FIG. 27

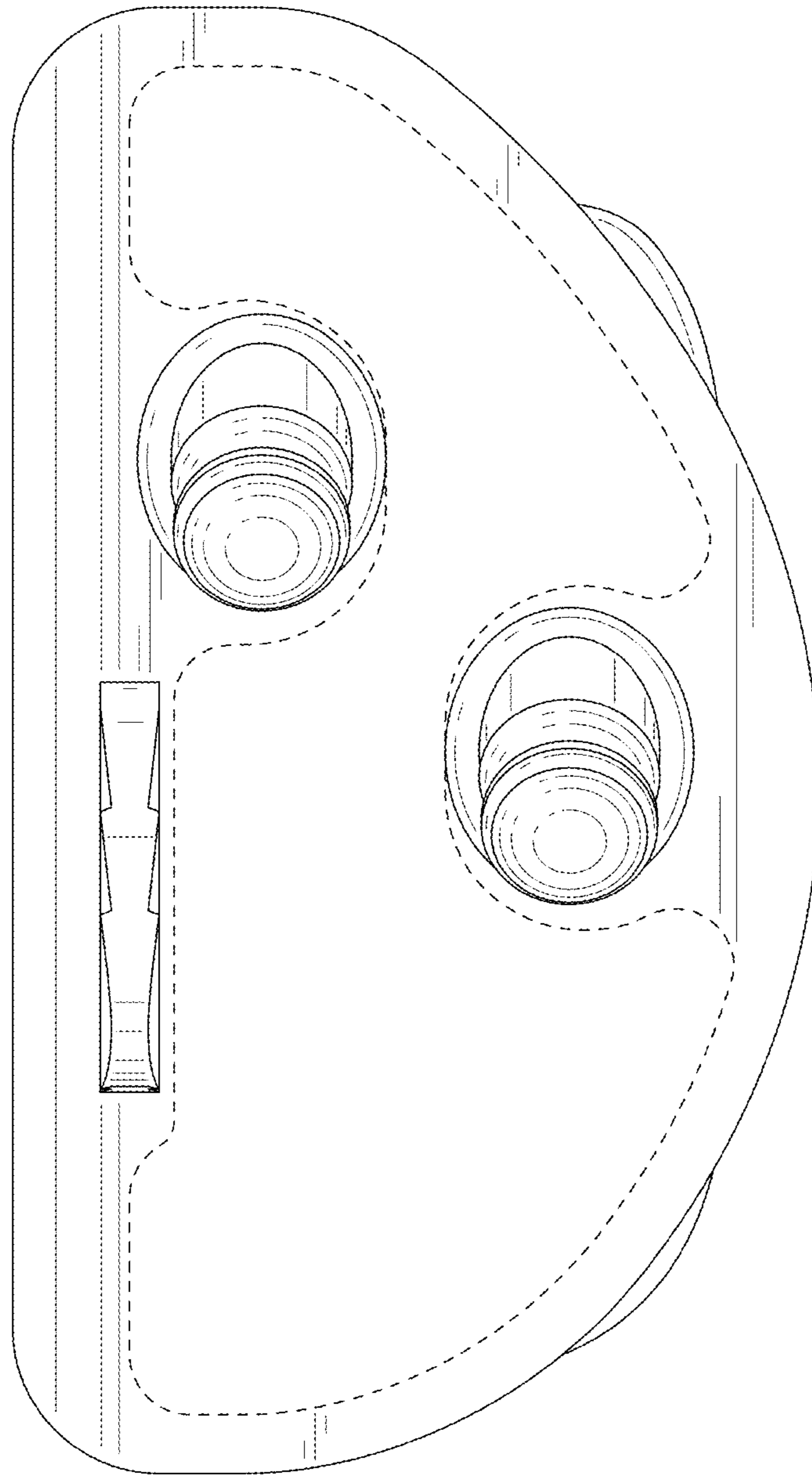


FIG. 28