



US00D781419S

(12) **United States Design Patent**
Bojanowski et al.

(10) **Patent No.:** **US D781,419 S**
(45) **Date of Patent:** **** Mar. 14, 2017**

(54) **ARGON BEAM COAGULATION FLEX
PROBE FOR LAPAROSCOPIC SURGERY**

(71) Applicant: **Conmed Corporation**, Utica, NY (US)

(72) Inventors: **Michael Bojanowski**, Denver, CO
(US); **Sachin A Sankholkar**, Highlands
Ranch, CO (US)

(73) Assignee: **CONMED CORPORATION**, Utica,
NY (US)

(**) Term: **15 Years**

(21) Appl. No.: **29/532,410**

(22) Filed: **Jul. 7, 2015**

(51) **LOC (10) Cl.** **24-02**

(52) **U.S. Cl.**
USPC **D24/144**

(58) **Field of Classification Search**

USPC D24/108, 110.6, 111–114, 117, 118, 129,
D24/130, 132–134, 135, 137, 138, 222,
D24/127, 140, 141, 143, 144, 148, 160,
D24/79, 216, 152, 153, 154, 176, 171
CPC A61B 1/00; A61B 1/00137; A61B 1/005;
A61B 1/0014; A61B 1/0676; A61B
1/0669; A61B 1/00121; A61B 1/00133;
A61B 1/00071; A61B 1/00064; A61B
1/00068; A61B 1/00112; A61B 1/0125;
A61B 17/3478

See application file for complete search history.

(56) **References Cited**

U.S. PATENT DOCUMENTS

D239,023 S *	3/1976	D'Alo	D24/129
D239,027 S *	3/1976	Knox	D24/129
D241,476 S *	9/1976	Lahay	D24/112
D611,599 S *	3/2010	Eisenkolb	D24/138
D611,600 S *	3/2010	Stammberger	D24/138
D658,291 S *	4/2012	Jenkins	D24/140
D713,027 S *	9/2014	Adams	D24/112
D764,661 S *	8/2016	Babbs	D24/129
D770,609 S *	11/2016	Adams	D24/112

* cited by examiner

Primary Examiner — Robert M Spear

Assistant Examiner — Eliza Bennett-Hattan

(74) *Attorney, Agent, or Firm* — Frederick J. M. Price;
Bond, Schoeneck & King, PLLC

(57) **CLAIM**

The ornamental design for an argon beam coagulation flex probe for laparoscopic surgery, as shown and described.

DESCRIPTION

FIG. 1 is a perspective view of a new and ornamental design for an argon beam coagulation flex probe for laparoscopic surgery;

FIG. 2 is a second perspective view thereof;

FIG. 3 is a left side view thereof;

FIG. 4 is a right side view thereof;

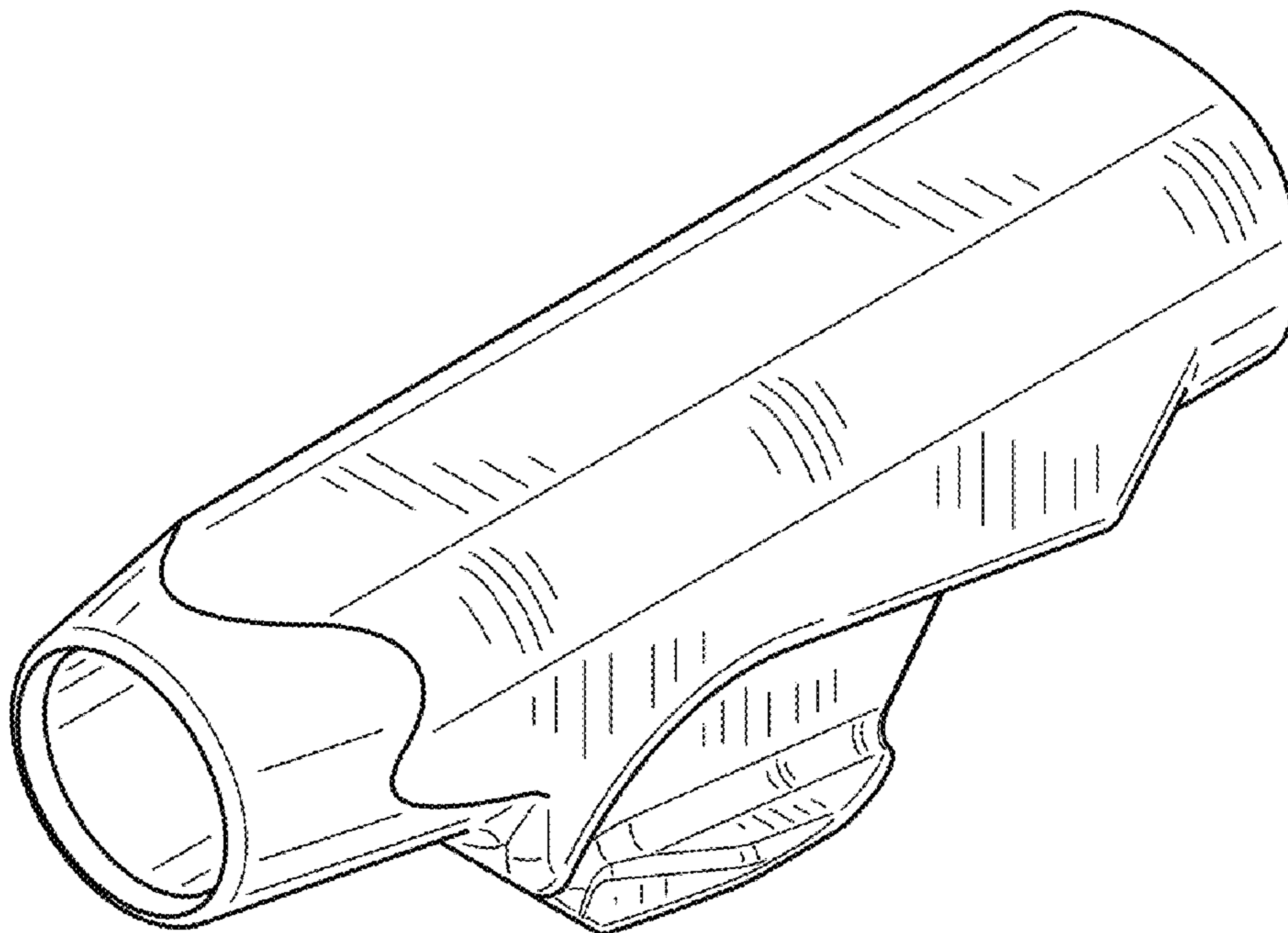
FIG. 5 is a front view thereof;

FIG. 6 is a rear view thereof; and

FIG. 7 is a top plan thereof; and,

FIG. 8 is a bottom plan thereof.

1 Claim, 4 Drawing Sheets



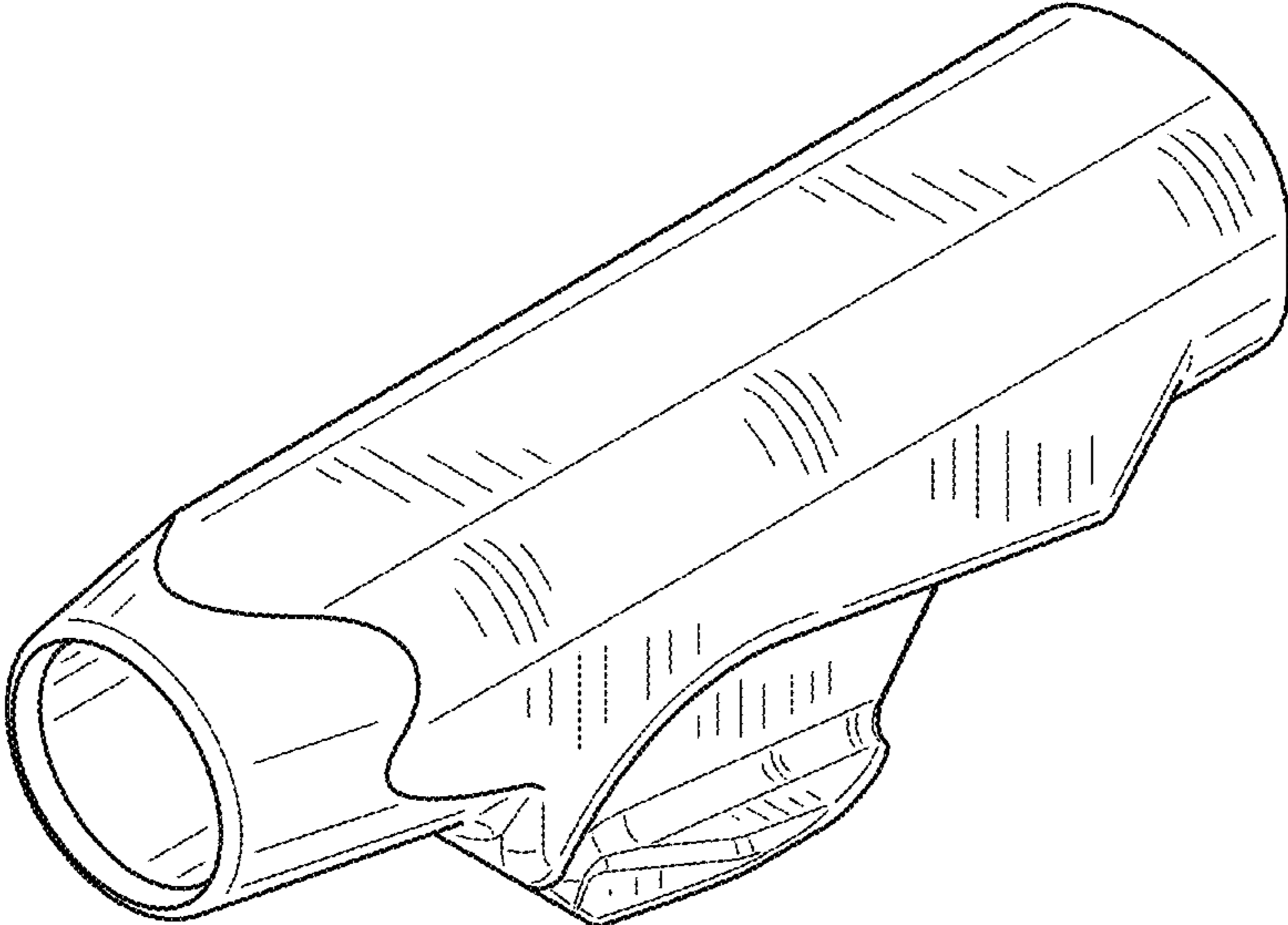


FIG.1

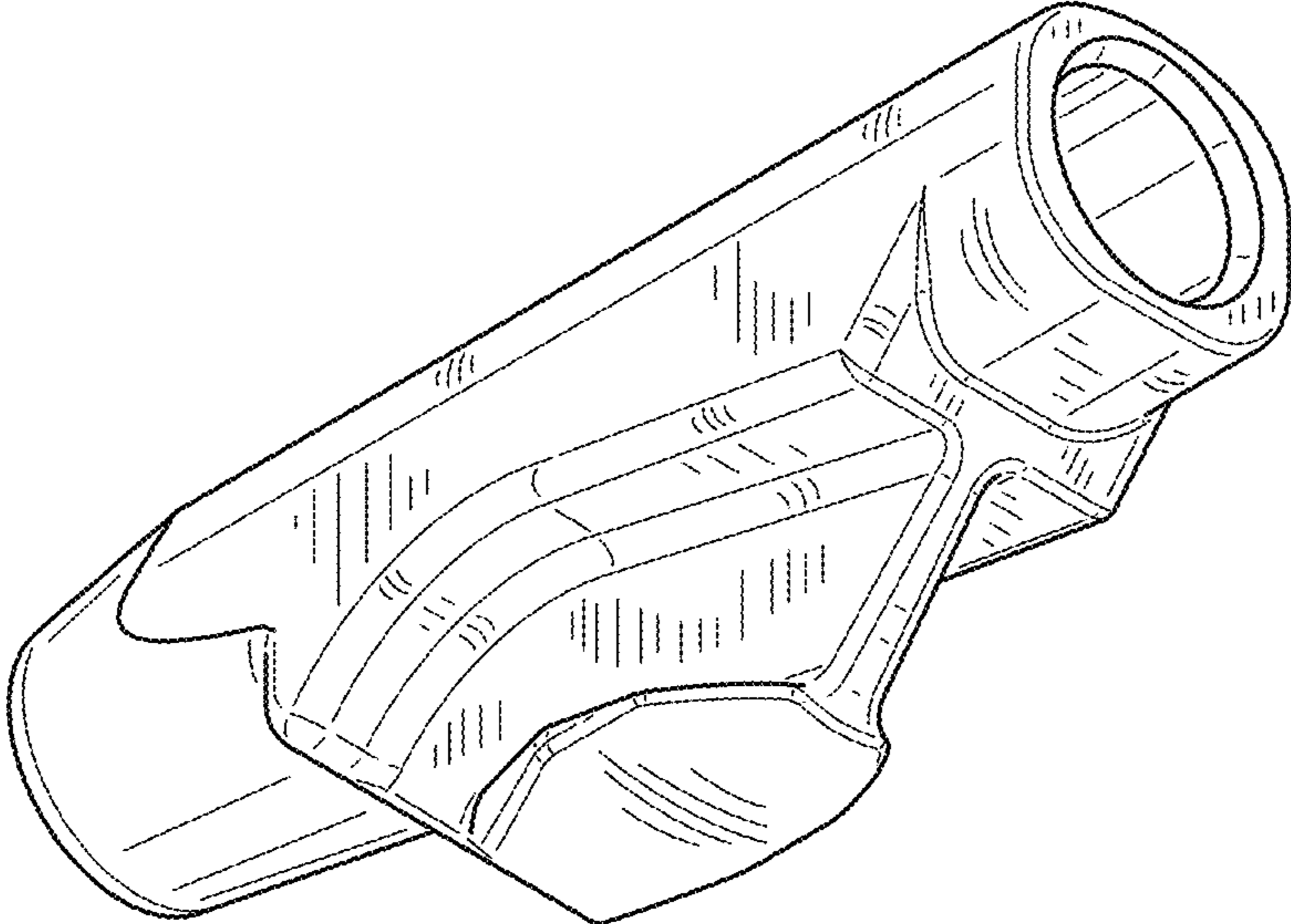


FIG.2

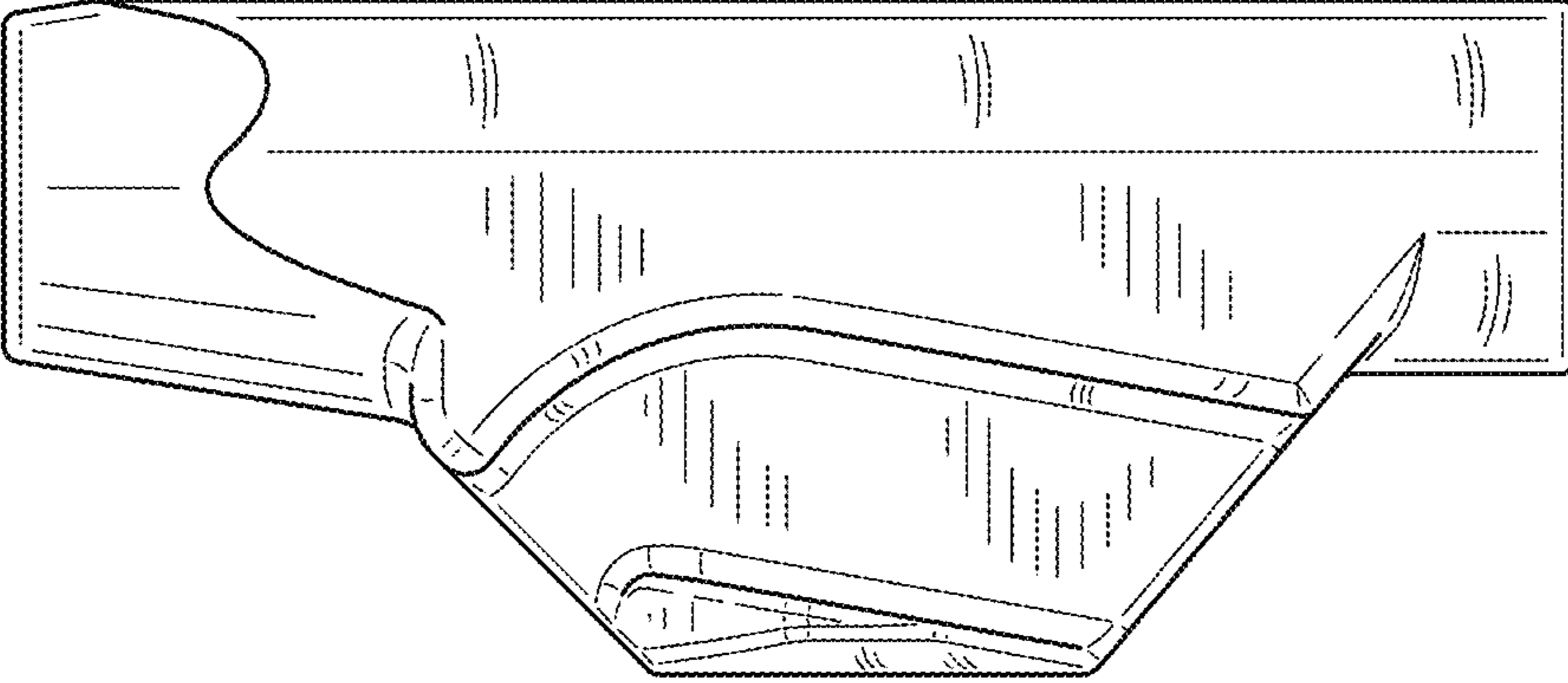


FIG. 3

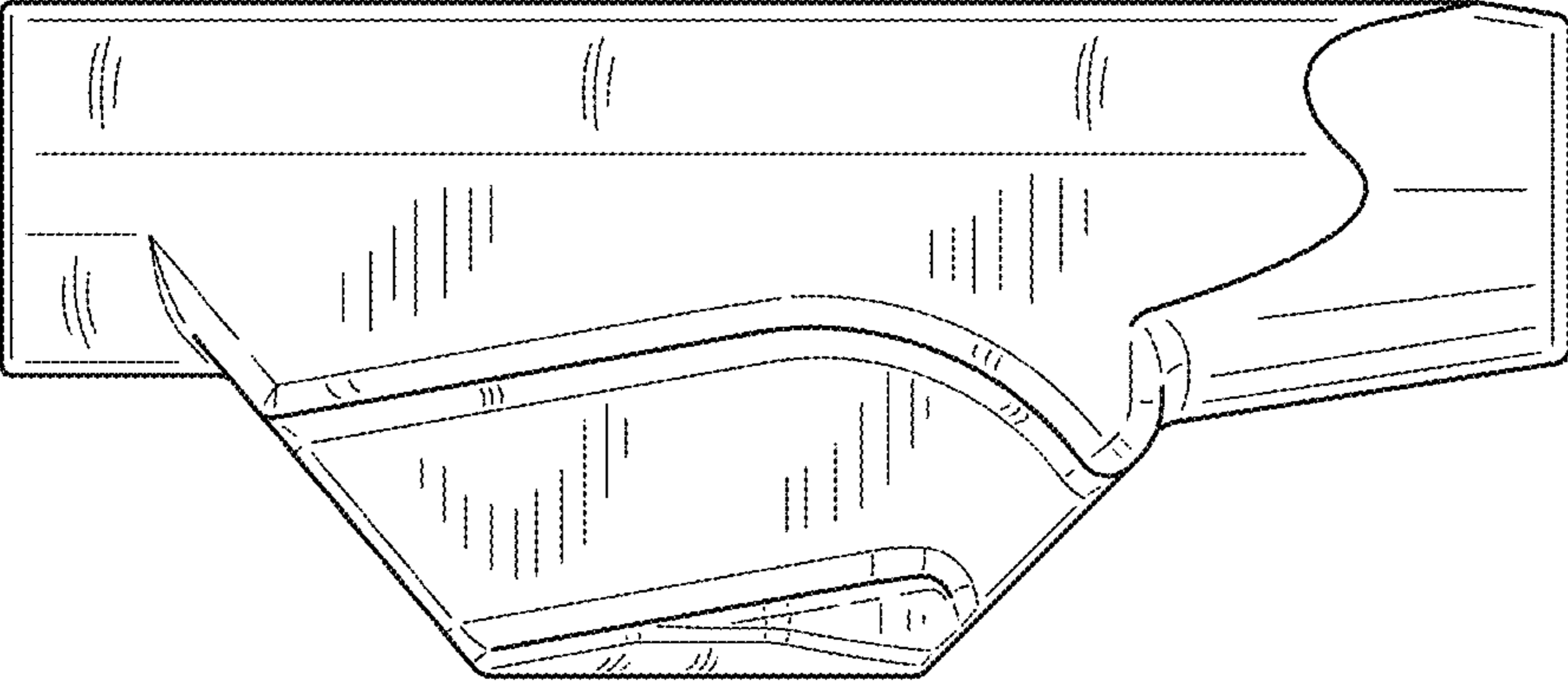


FIG. 4

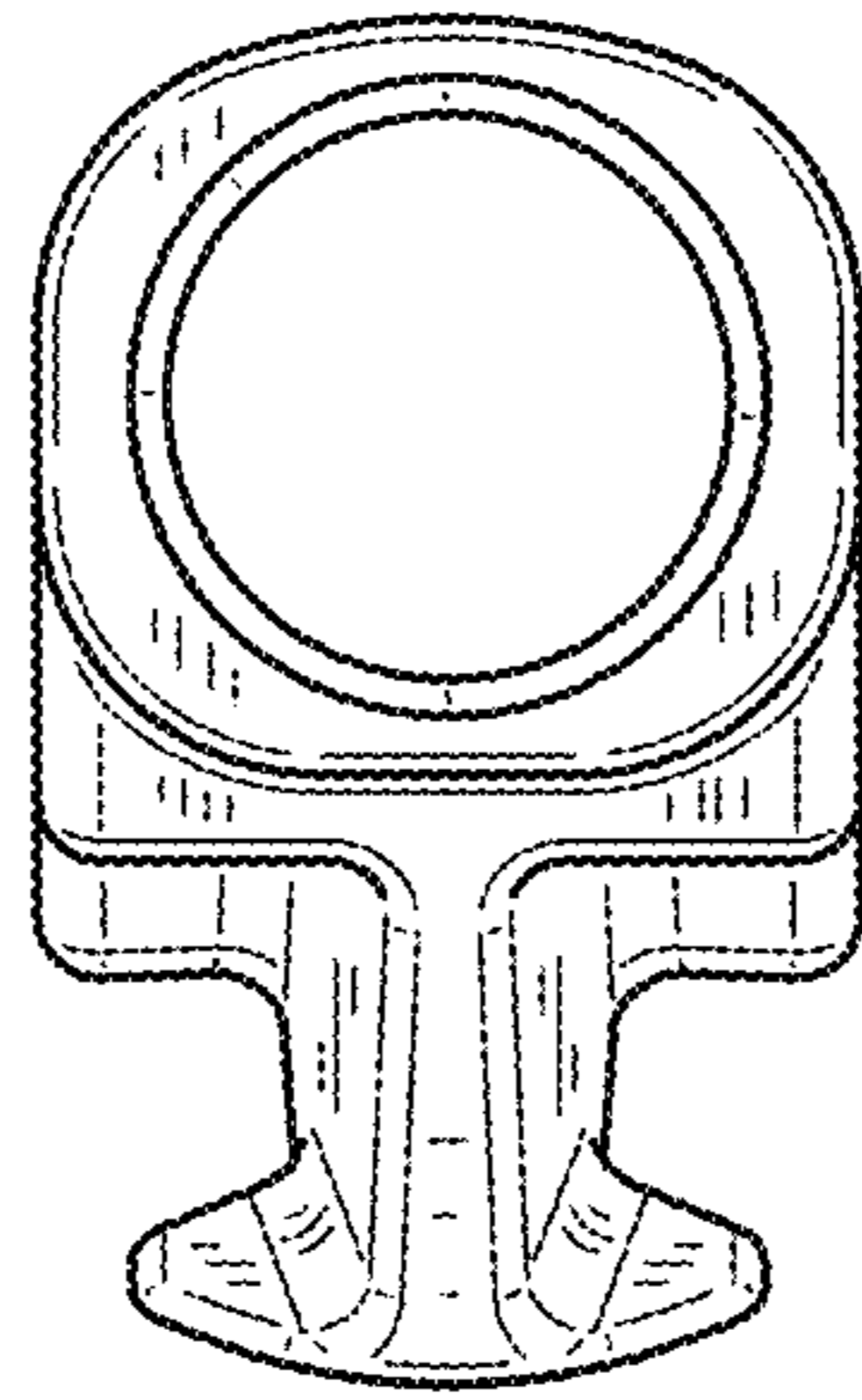


FIG.5

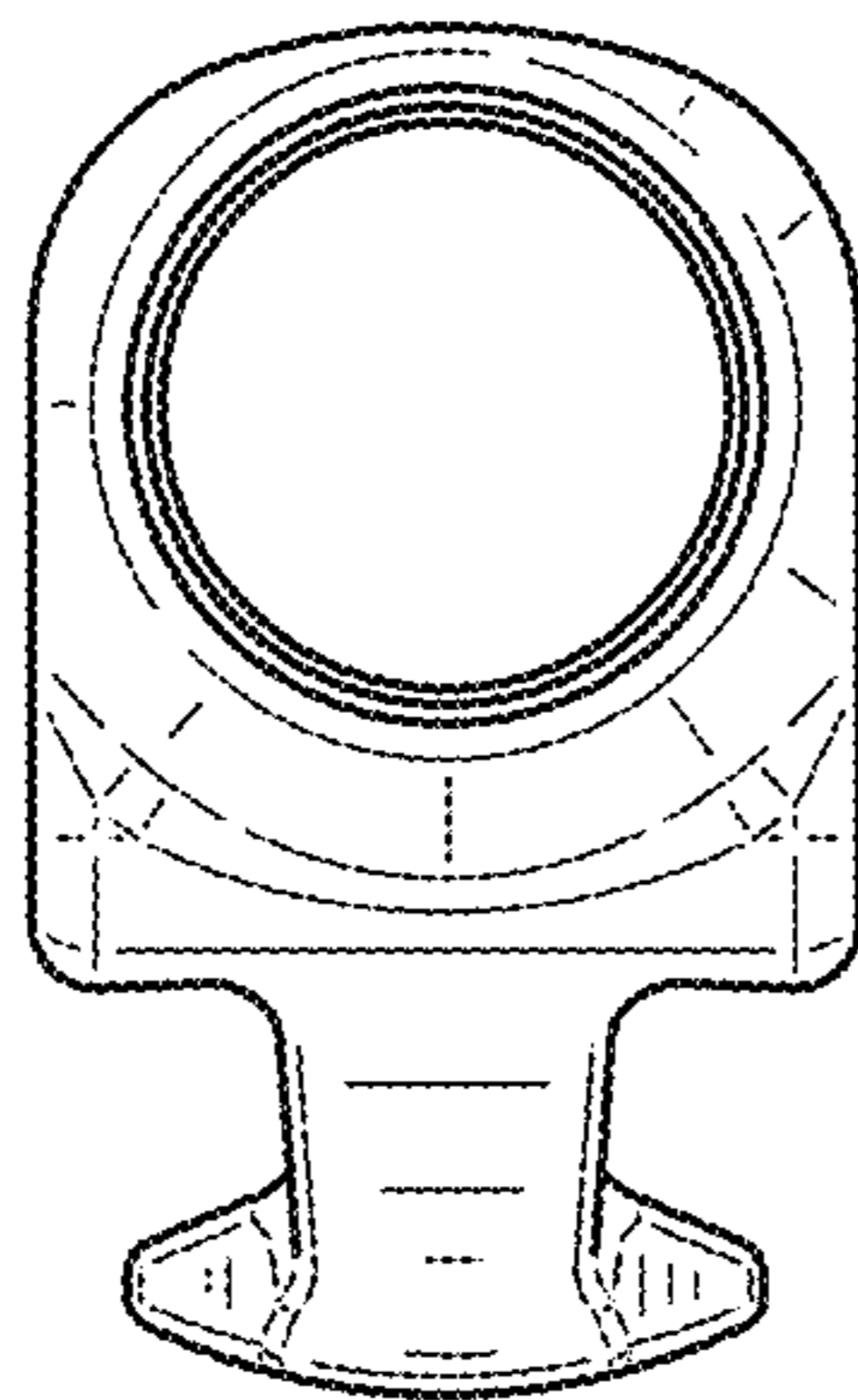


FIG.6

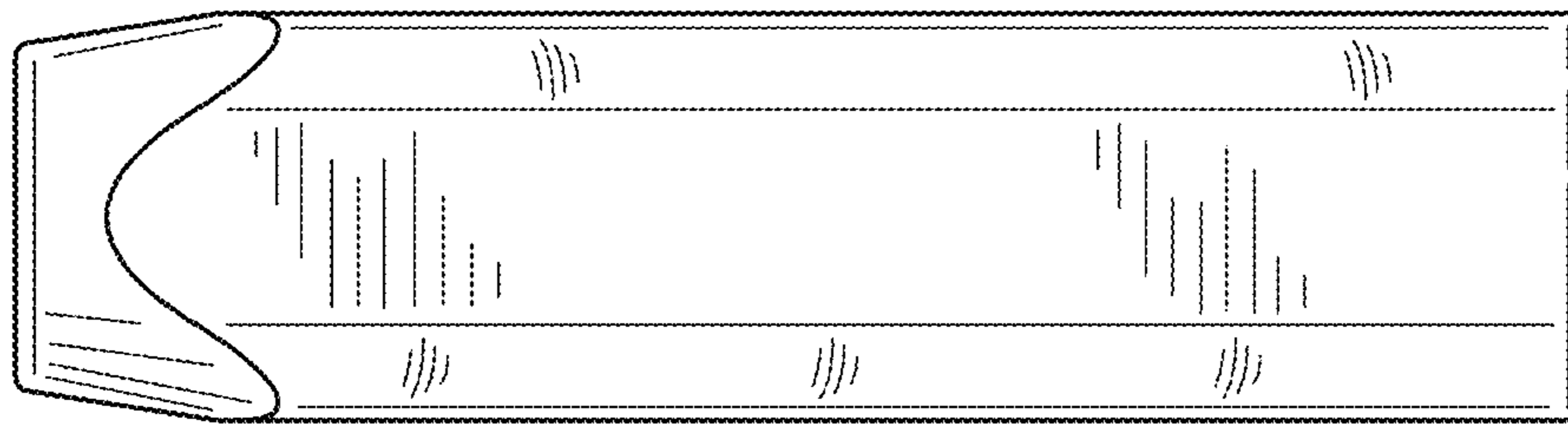


FIG. 7

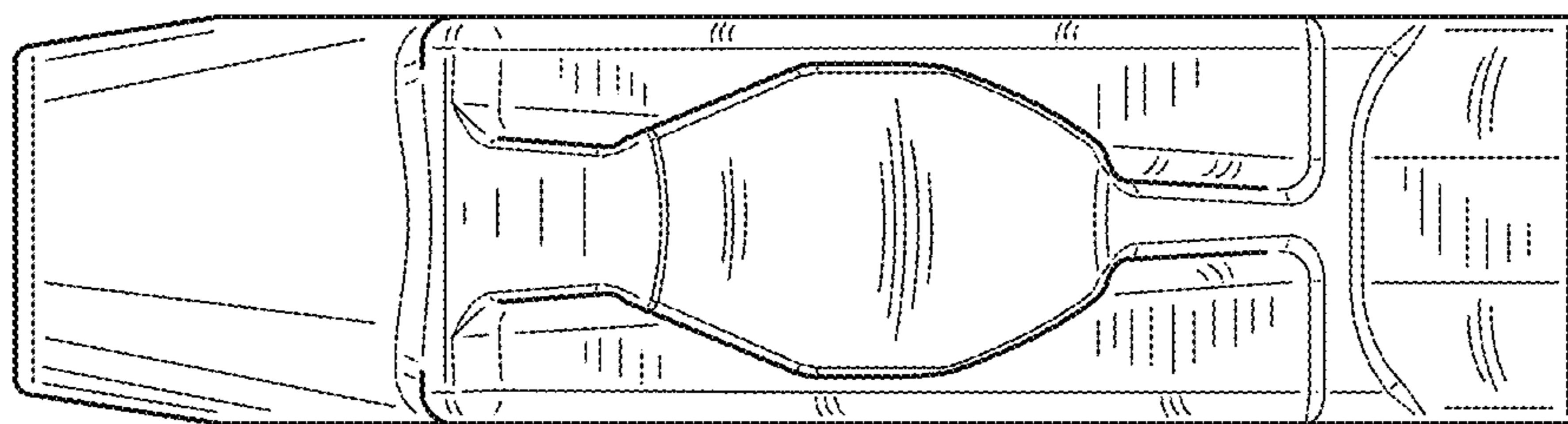


FIG. 8