



US00D781418S

(12) **United States Design Patent** (10) **Patent No.:** **US D781,418 S**
Winsor (45) **Date of Patent:** **** Mar. 14, 2017**

(54) **COUPLER FOR INTRAVASCULAR COMPONENT**

(71) Applicant: **Nexus Medical, LLC**, Lenexa, KS (US)

(72) Inventor: **Chris Winsor**, Overland Park, KS (US)

(73) Assignee: **Nexus Medical, LLC**, Lenexa, KS (US)

(**) Term: **14 Years**

(21) Appl. No.: **29/477,150**

(22) Filed: **Dec. 19, 2013**

(51) **LOC (10) Cl.** **24-02**

(52) **U.S. Cl.**
USPC **D24/129**

(58) **Field of Classification Search**
USPC D24/127–131, 112–114, 133, 186;
606/181, 185; 604/264, 272, 115, 232,
604/187, 158, 164.08, 192, 263, 163, 181,
604/184, 198, 227; 600/101, 139, 143;
128/200.24, 207.14, 207.15
CPC A61M 25/00; A61M 39/00; A61M 27/00;
A61M 25/0043; A61M 25/0067; A61M
25/0097; A61F 2/958
See application file for complete search history.

(56) **References Cited**

U.S. PATENT DOCUMENTS

5,009,642	A *	4/1991	Sahi	604/158
D510,139	S *	9/2005	Gilad et al.	D24/186
D570,478	S *	6/2008	Sudo	D24/130
D580,069	S *	11/2008	Lee	D24/216
D632,389	S *	2/2011	Maeda et al.	D24/130
D632,784	S *	2/2011	Maeda et al.	D24/130

D644,731	S *	9/2011	Fangrow, Jr.	D24/129
D651,307	S *	12/2011	Sangha	D24/127
D660,417	S *	5/2012	Eury	D24/129
D700,965	S *	3/2014	Krishnan et al.	D24/133
D701,304	S *	3/2014	Lair et al.	D24/129
D712,025	S *	8/2014	Kawamura	D24/112
D712,028	S *	8/2014	Takemoto	D24/130
D715,423	S *	10/2014	Rogers	D24/112
D715,921	S *	10/2014	Wan	D24/112
D720,850	S *	1/2015	Hsia et al.	D24/130
D721,802	S *	1/2015	Ohashi	D24/113
D723,681	S *	3/2015	Ingram et al.	D24/130
D725,263	S *	3/2015	Honma et al.	D24/133
8,974,372	B2 *	3/2015	Fell	600/114
D726,316	S *	4/2015	Marquez	D24/146

* cited by examiner

Primary Examiner — David Muller

(74) *Attorney, Agent, or Firm* — Erise IP, P.A.

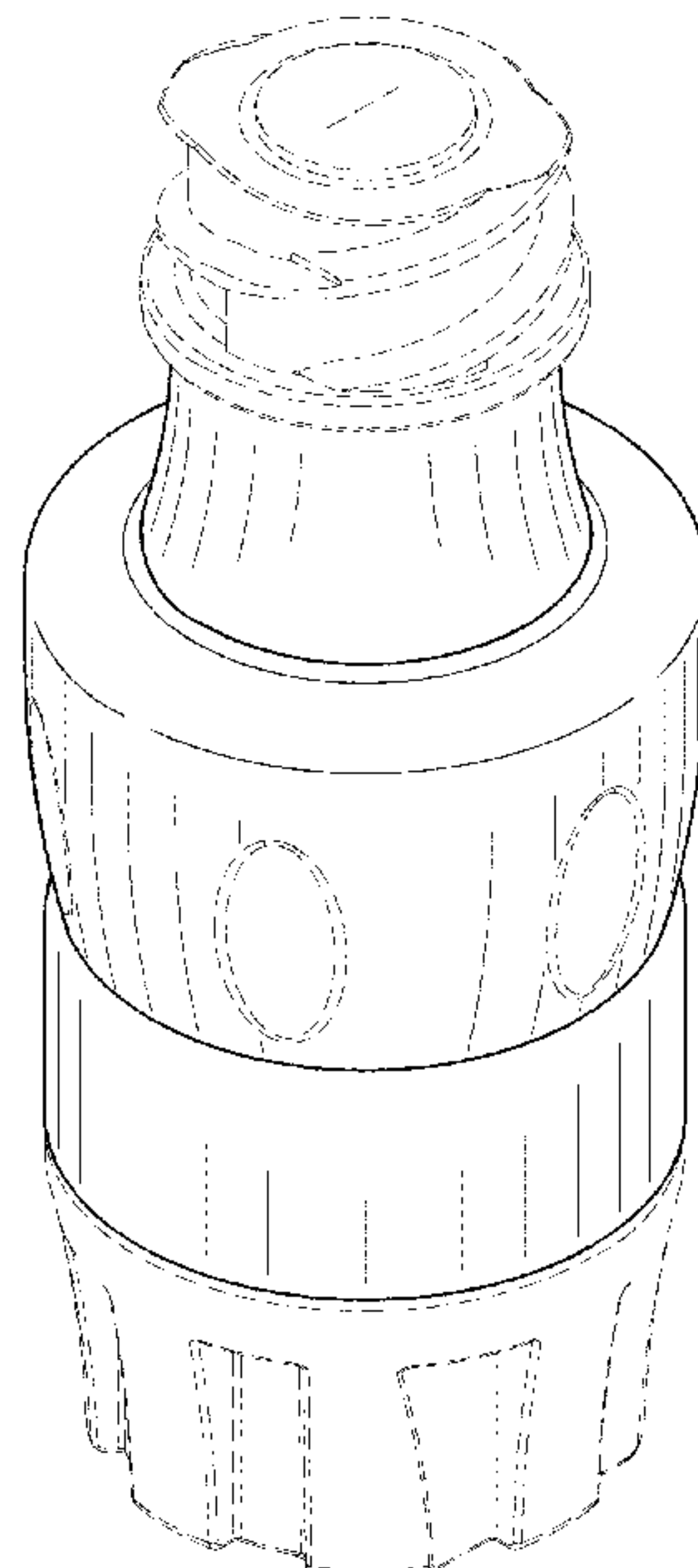
(57) **CLAIM**

The ornamental design for a coupler for an intravascular component, as shown and described.

DESCRIPTION

FIG. 1 is a top perspective view of a coupler for an intravascular component embodying the design; FIG. 2 is a bottom perspective view thereof; FIG. 3 is a left side elevation view thereof, with an opposite, right side elevation view being substantially the same as the left side elevation view; FIG. 4 is a front elevation view thereof, with an opposite, rear elevation view of the coupler being substantially the same as the front side elevation view; FIG. 5 is a top plan view thereof; and, FIG. 6 is a bottom plan view thereof. The features shown in broken lines depict environmental structure only and form no part of the claimed design.

1 Claim, 5 Drawing Sheets



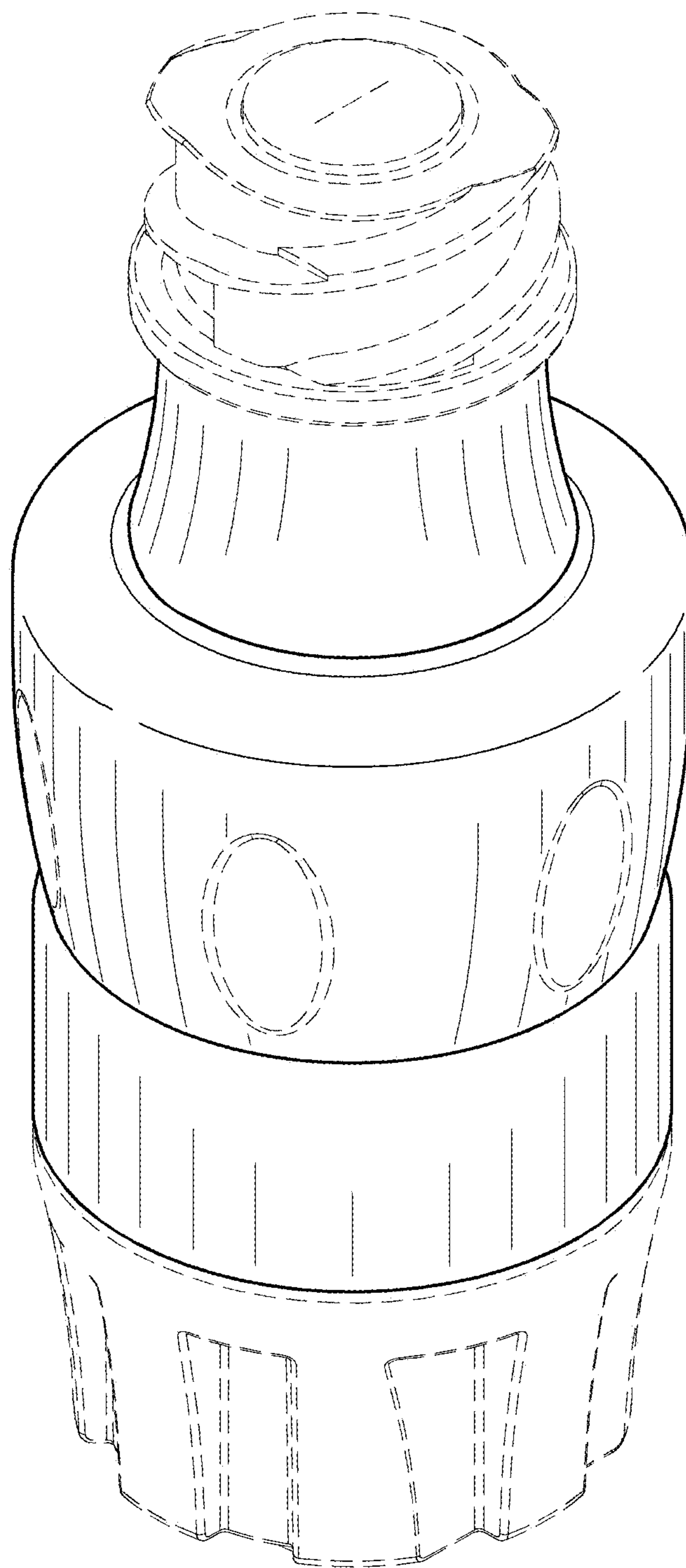


Fig. 1

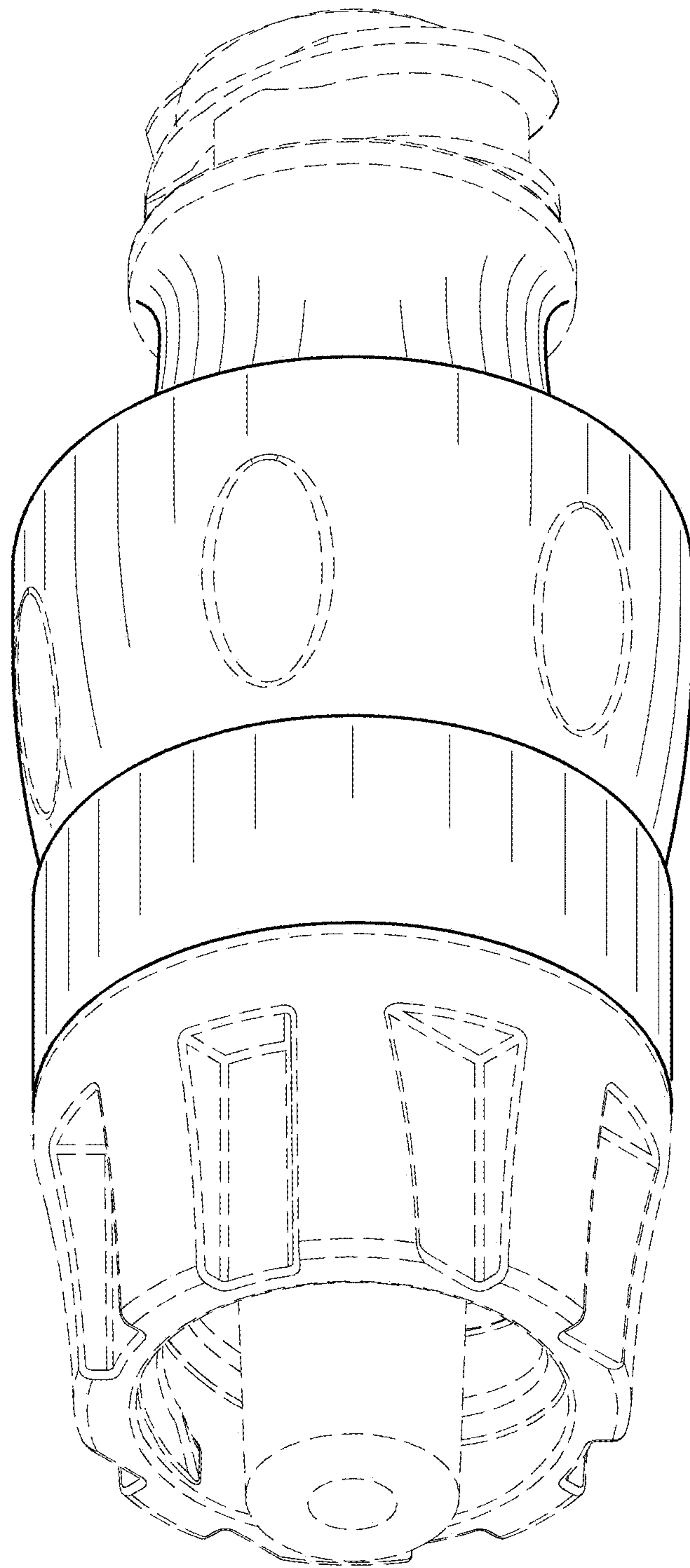


Fig. 2

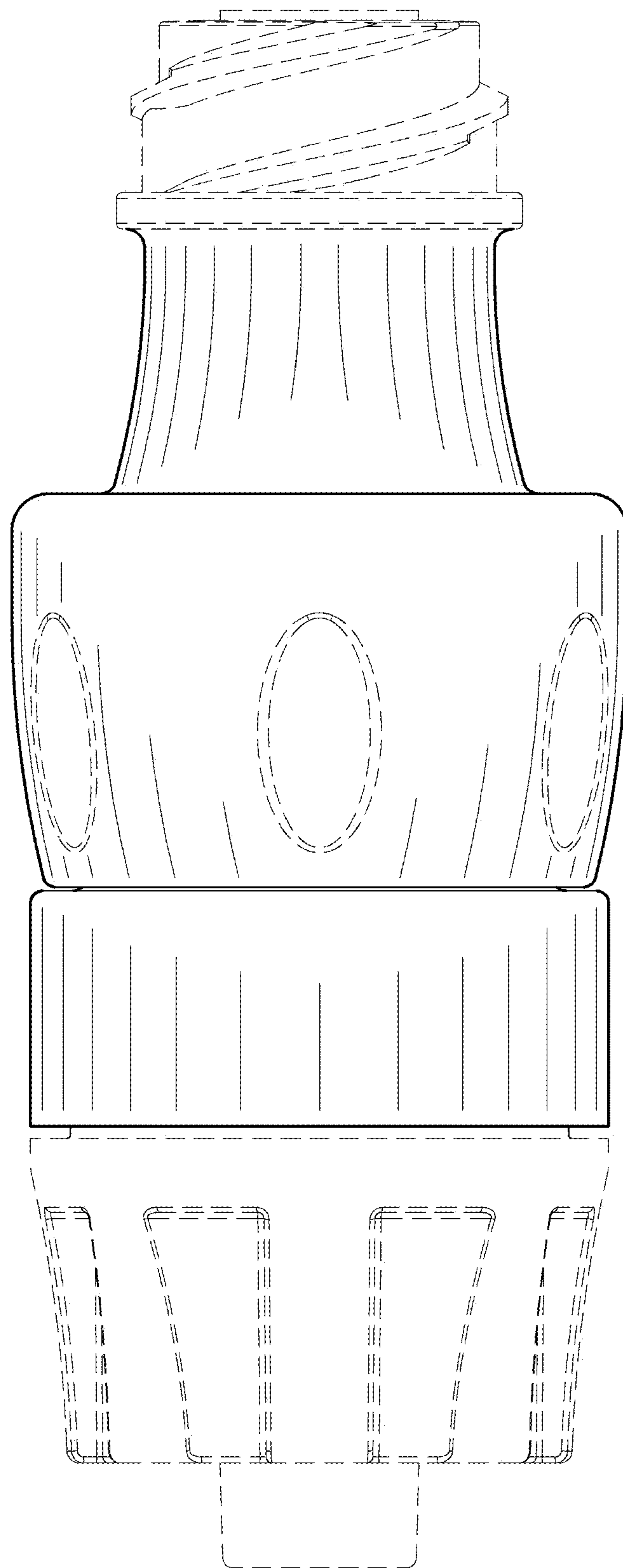


Fig. 3

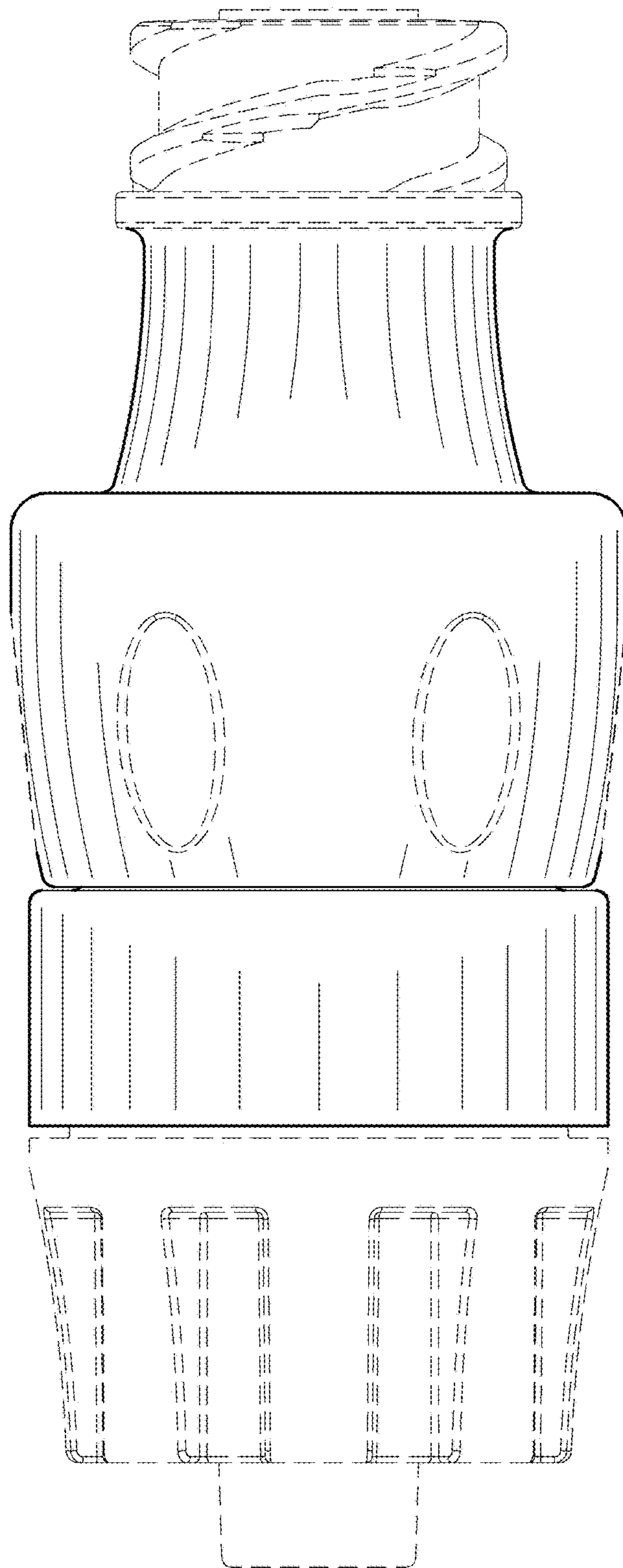


Fig. 4

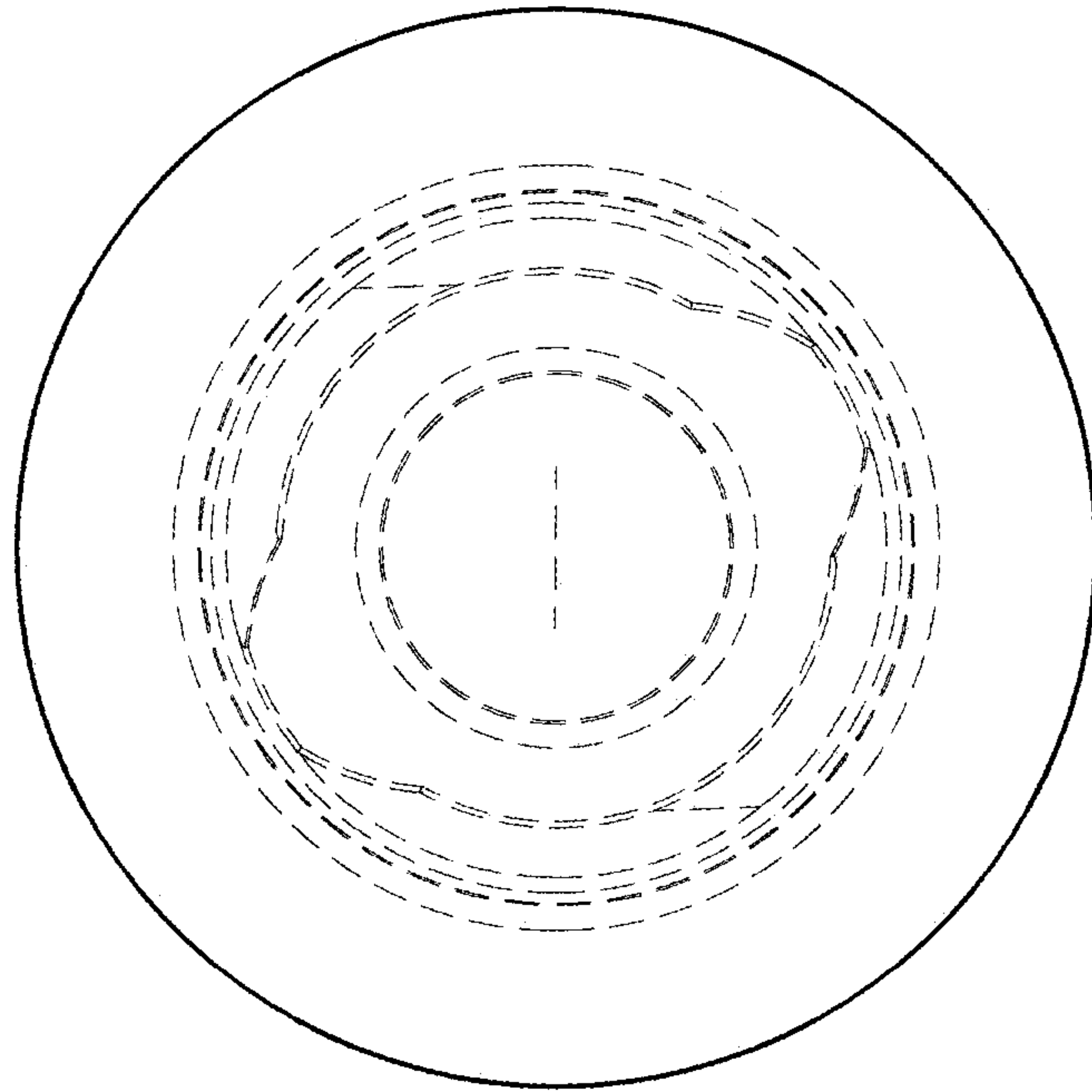


Fig. 5

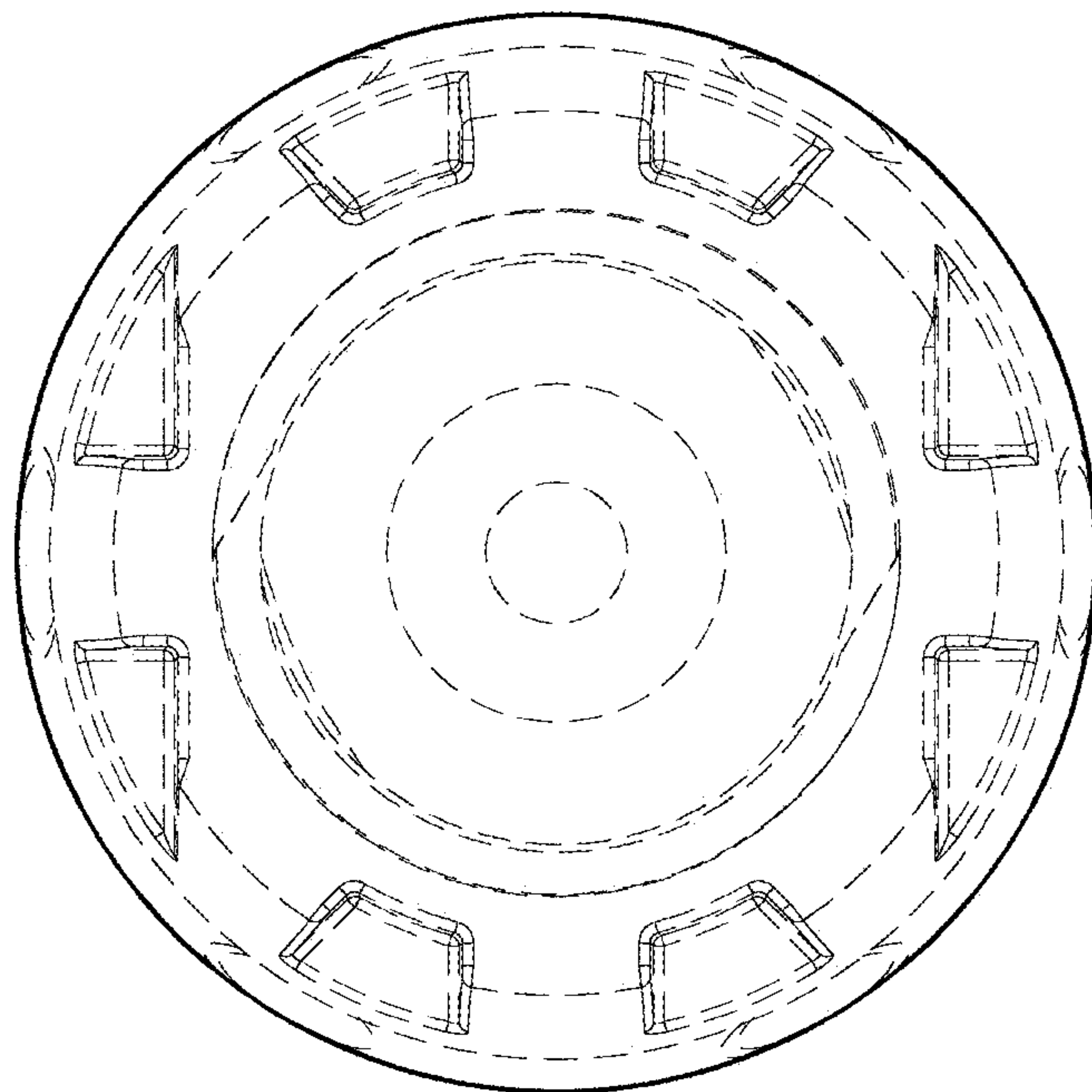


Fig. 6