



US00D781416S

(12) **United States Design Patent** (10) **Patent No.:** **US D781,416 S**
Racz et al. (45) **Date of Patent:** **** Mar. 14, 2017**

(54) **MEDICAL DEVICE HANDLE** 4,191,186 A 3/1980 Keeler
4,304,231 A 12/1981 Bodicky et al.
(71) Applicant: **Custom Medical Applications, Inc.**, 4,362,156 A 12/1982 Feller, Jr. et al.
Johnstown, NY (US) 5,071,412 A * 12/1991 Noda A61M 5/007
604/176

(72) Inventors: **N. Sandor Racz**, Farmers Branch, TX
(US); **Gabor J. Racz**, Farmers Branch,
TX (US)

(Continued)

FOREIGN PATENT DOCUMENTS

(73) Assignee: **Custom Medical Applications, Inc.**,
Johnstown, NY (US)

EP 856332 8/1998
EP 620022 2/1999

(Continued)

(**) Term: **15 Years**

OTHER PUBLICATIONS

(21) Appl. No.: **29/554,277**

Partial European Search Report for copending application EP 11 87
4693, dated Dec. 15, 2014.

(22) Filed: **Feb. 10, 2016**

(Continued)

Related U.S. Application Data

(63) Continuation of application No. 14/354,527, filed on
Apr. 25, 2014, now Pat. No. 9,333,323.

Primary Examiner — David Muller

(74) *Attorney, Agent, or Firm* — TraskBritt, P.C.

(51) **LOC (10) Cl.** **24-02**

(52) **U.S. Cl.**

USPC **D24/112**

(58) **Field of Classification Search**

USPC D24/127-131, 112-114, 133, 186;
606/181, 185; 604/506, 264, 523-528,
604/272, 187, 158, 164.01-164.11, 181,
604/184, 227; 600/101, 139, 143;
128/200.24, 207.14, 207.15

CPC .. A61M 25/065; A61M 5/42; A61M 25/0612;
A61M 25/00; A61M 39/00; A61M 27/00;
A61M 25/0043; A61M 25/0067; A61M
25/0097; A61F 2/958

See application file for complete search history.

DESCRIPTION

FIG. 1 is a perspective view showing the design;
FIG. 2 is a top plan view thereof;
FIG. 3 is a bottom plan view thereof;
FIG. 4 is a side elevation view thereof;
FIG. 5 is another side elevation view thereof;
FIG. 6 is a front elevation view thereof; and,
FIG. 7 is a rear elevation view thereof.

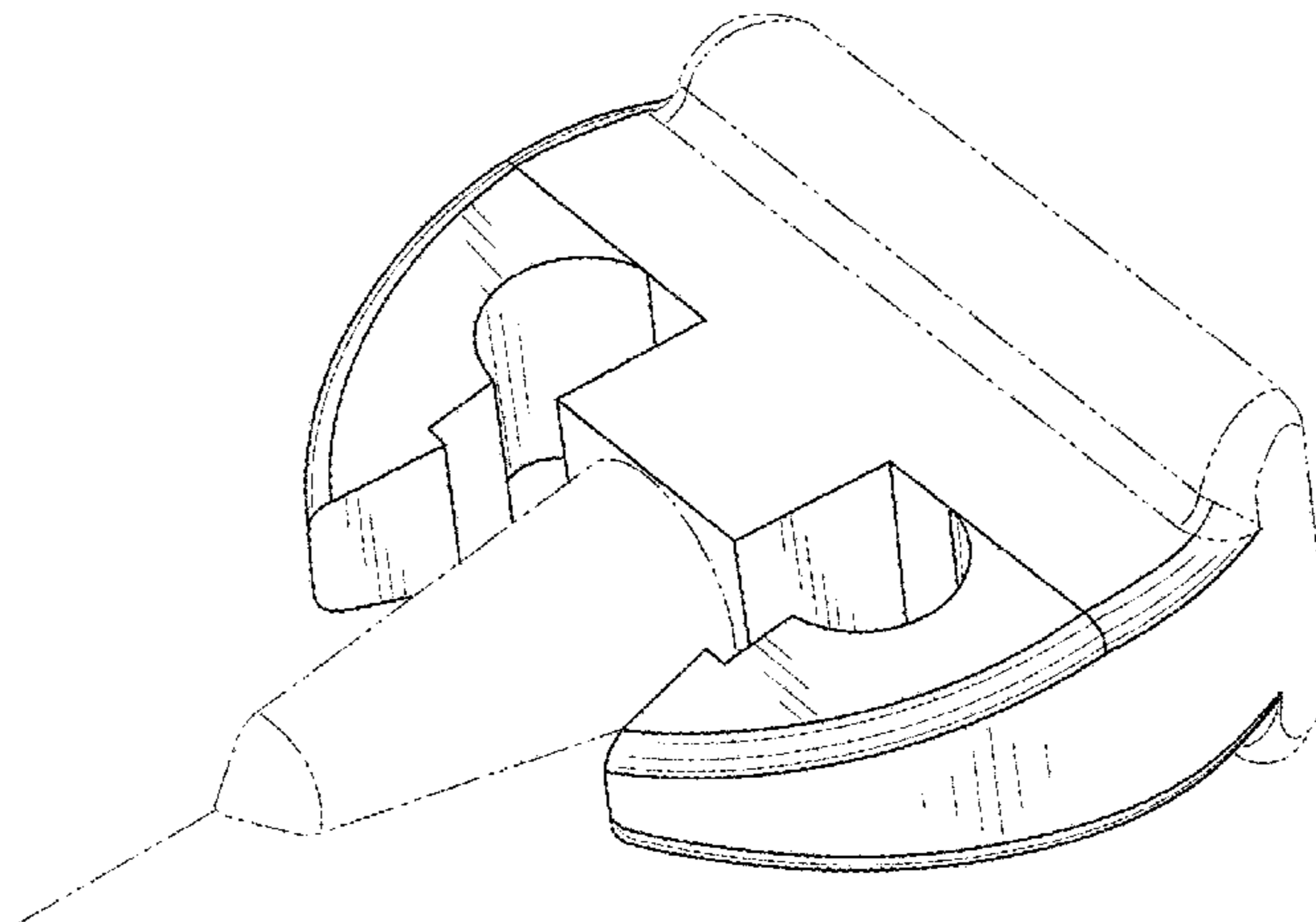
The broken line showing of parts of the drawings is included
for the purpose of illustrating use and environment and
forms no part of the claimed design.

(56) **References Cited**

U.S. PATENT DOCUMENTS

3,727,613 A 4/1973 Sorenson et al.
3,860,006 A 1/1975 Patel et al.

1 Claim, 3 Drawing Sheets



(56)

References Cited

U.S. PATENT DOCUMENTS

5,163,912 A 11/1992 Gay et al.
 5,226,427 A 7/1993 Buckberg et al.
 5,242,389 A 9/1993 Schrader et al.
 5,250,035 A 10/1993 Smith et al.
 5,300,045 A 4/1994 Plassche
 5,496,281 A 3/1996 Krebs
 5,542,916 A 8/1996 Hirsch et al.
 5,569,217 A * 10/1996 Luther A61M 25/0612
 604/198
 D401,334 S * 11/1998 Herman D24/133
 5,957,912 A 9/1999 Heitzmann
 6,027,461 A 2/2000 Walker et al.
 6,027,481 A 2/2000 Barrelle et al.
 6,206,870 B1 3/2001 Kanner
 6,245,029 B1 6/2001 Fujita et al.
 6,652,491 B1 11/2003 Walker et al.
 6,755,794 B2 6/2004 Soukup
 D601,247 S * 9/2009 Hardin D24/128
 D619,705 S * 7/2010 Foy D24/128
 D625,015 S * 10/2010 Hansen D24/186
 7,931,591 B2 4/2011 McCarthy et al.
 7,931,594 B2 4/2011 Hirsh
 D638,935 S * 5/2011 Gilmore, III D24/133
 8,251,958 B2 * 8/2012 Sullivan A61M 15/0028
 604/232
 D675,317 S * 1/2013 Baxter D24/130
 D685,467 S * 7/2013 Strong D24/130
 D702,835 S * 4/2014 Vinchon D24/130
 D751,705 S * 3/2016 Hitscherich, Jr. D24/130
 D757,258 S * 5/2016 Weißhaupt D24/127
 2005/0090801 A1 4/2005 Racz et al.
 2008/0183154 A1 7/2008 Racz et al.
 2009/0105638 A1 4/2009 Partlett
 2009/0112167 A1 4/2009 Haarala et al.
 2009/0187140 A1 7/2009 Racz

2009/0292259 A1 11/2009 Delano et al.
 2009/0292273 A1 11/2009 Racz et al.
 2014/0296828 A1 10/2014 Racz et al.

FOREIGN PATENT DOCUMENTS

EP 1033146 7/2002
 EP 2002858 12/2008
 JP 2827203 A 11/1998
 JP 2005512669 A 5/2005
 JP 2007222387 A 9/2007
 JP 2008518672 A 6/2008
 JP 2008246203 A 10/2008
 JP 2008307386 12/2008
 JP 2008307386 A 12/2008
 JP 2011504403 A 2/2011
 JP 5819537 10/2015
 WO 9518575 7/1995
 WO 9731677 9/1997
 WO 9952585 10/1999
 WO 03030985 4/2003
 WO 2004018015 3/2004
 WO 2006062636 6/2006
 WO 2006099306 9/2006
 WO 2010022370 2/2010
 WO 2013062504 A1 5/2013

OTHER PUBLICATIONS

Canadian Examination Search Report for copending application CA 2,853,756 dated Dec. 3, 2015.
 PCT International Preliminary Report on Patentability, PCT/US2011/001828 dated May 8, 2014.
 International Search Report for International Application No. PCT/US2011/001828, mailed May 29, 2012, 4 pages.
 International Written Opinion for International Application No. PCT/US2011/001828, dated May 24, 2012, 6 pages.

* cited by examiner

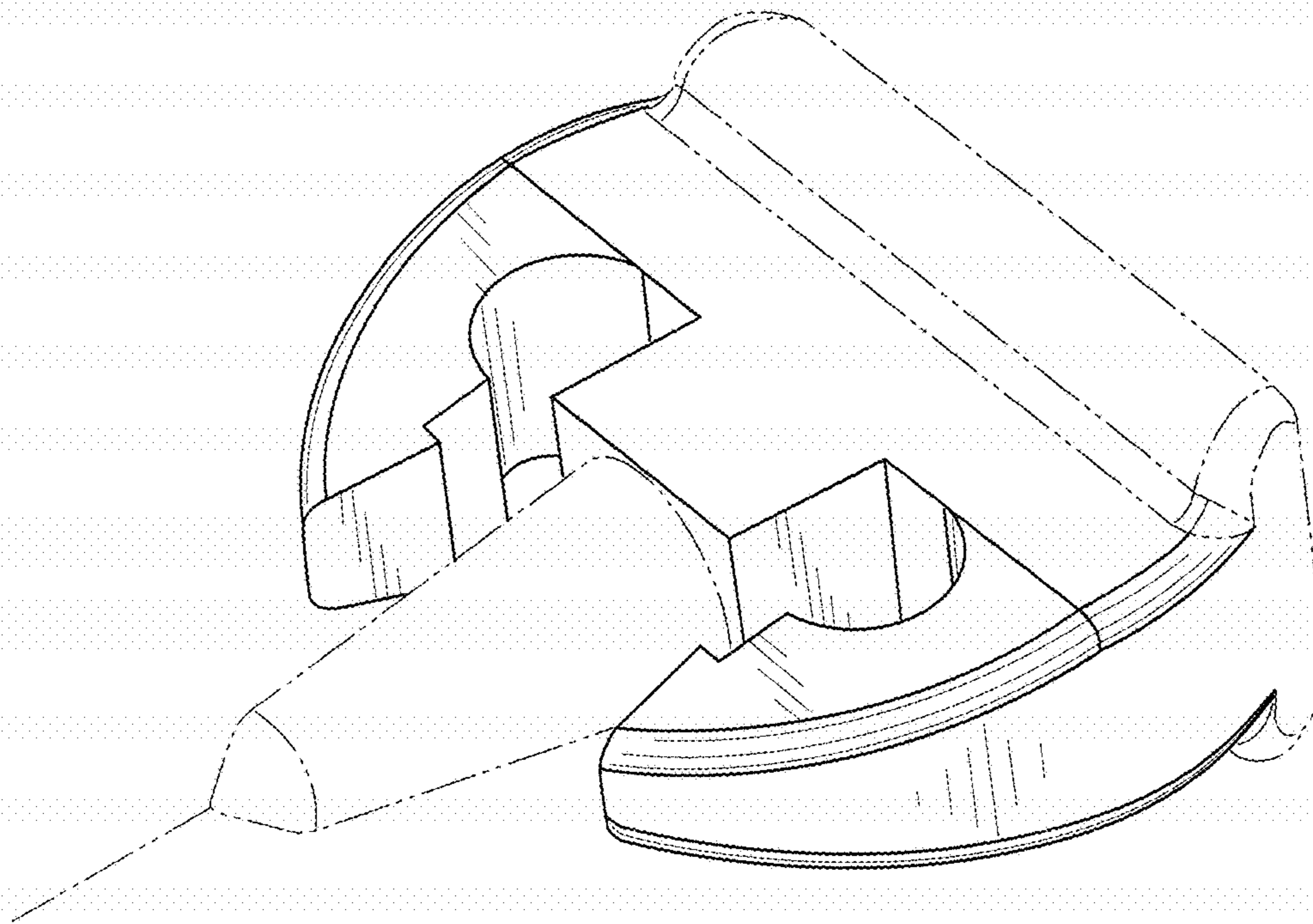


FIG. 1

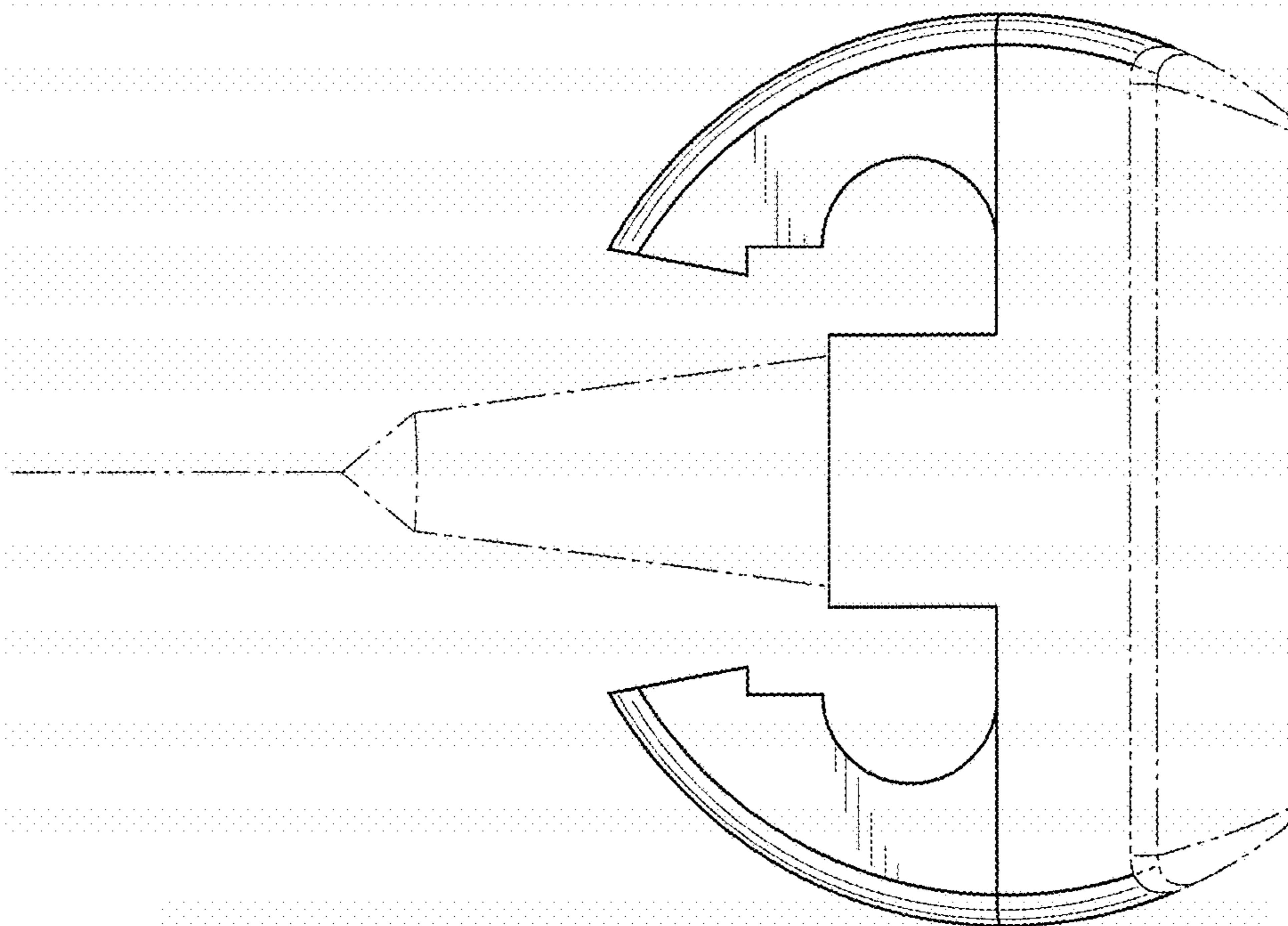


FIG. 2

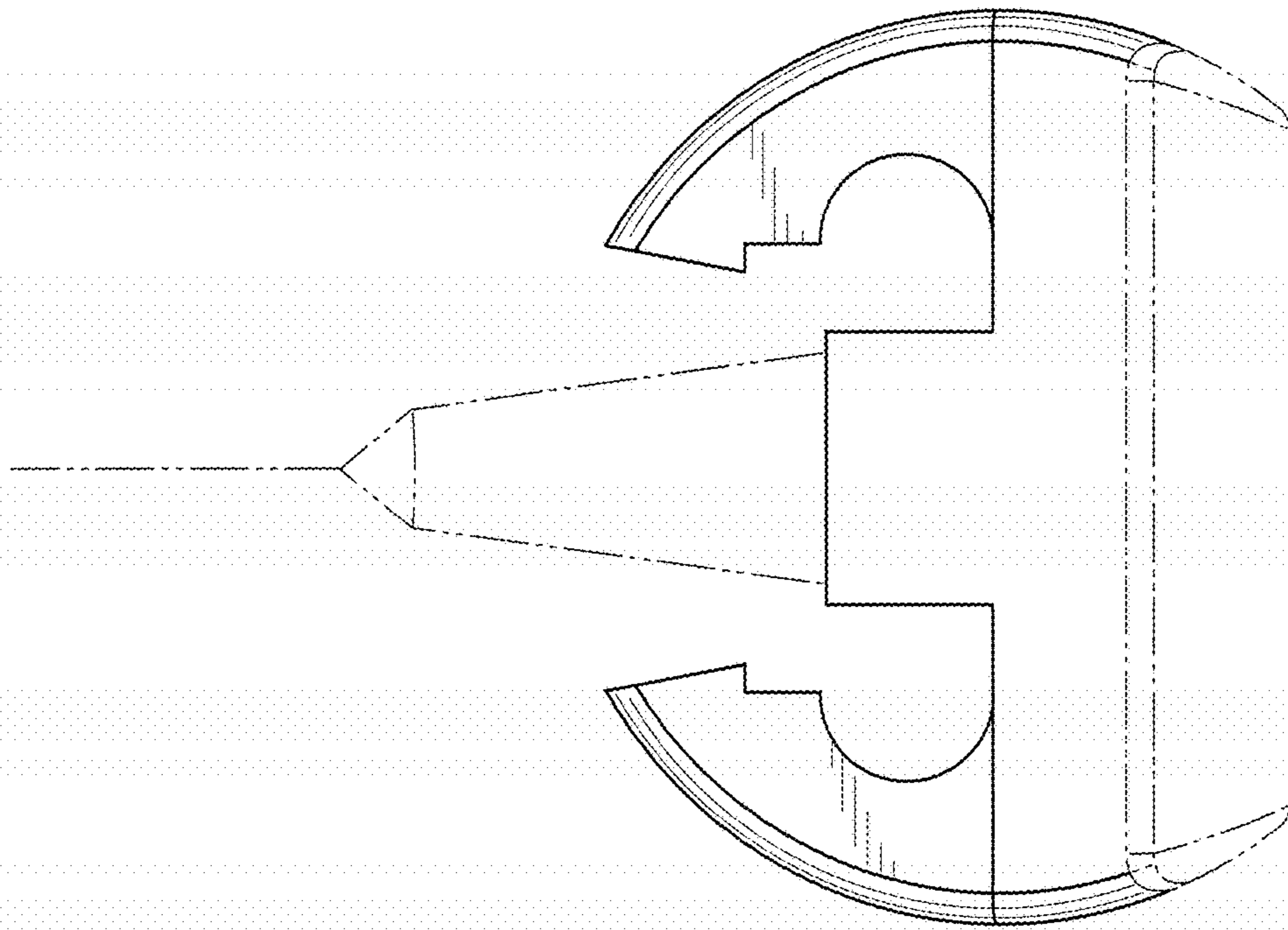


FIG. 3

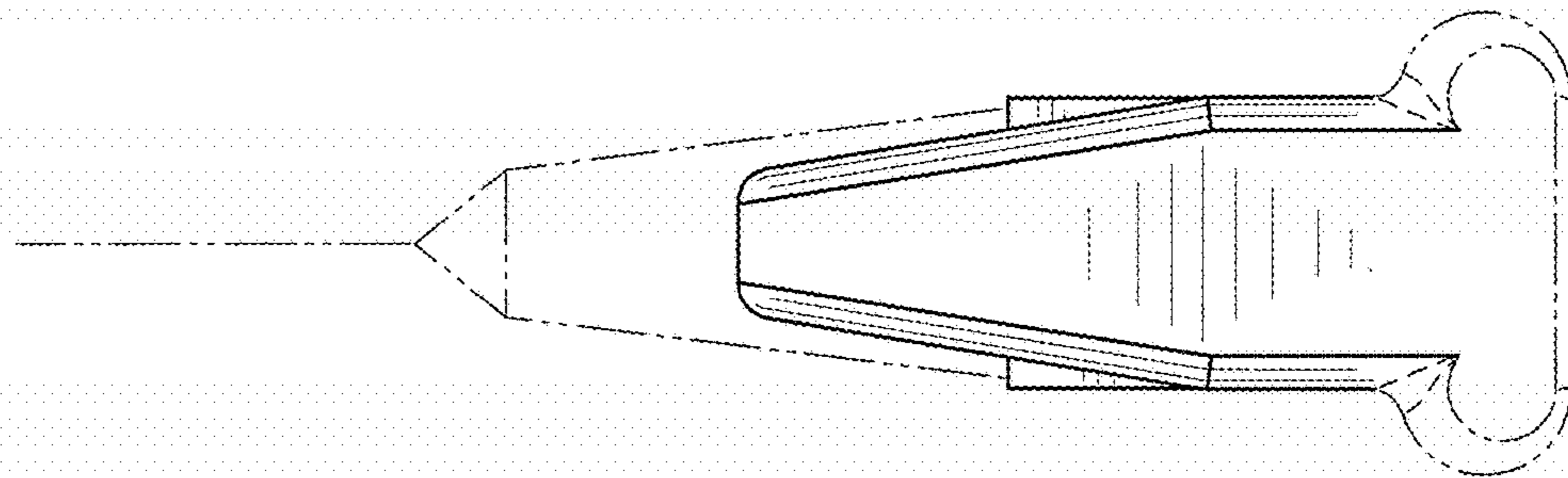


FIG. 4

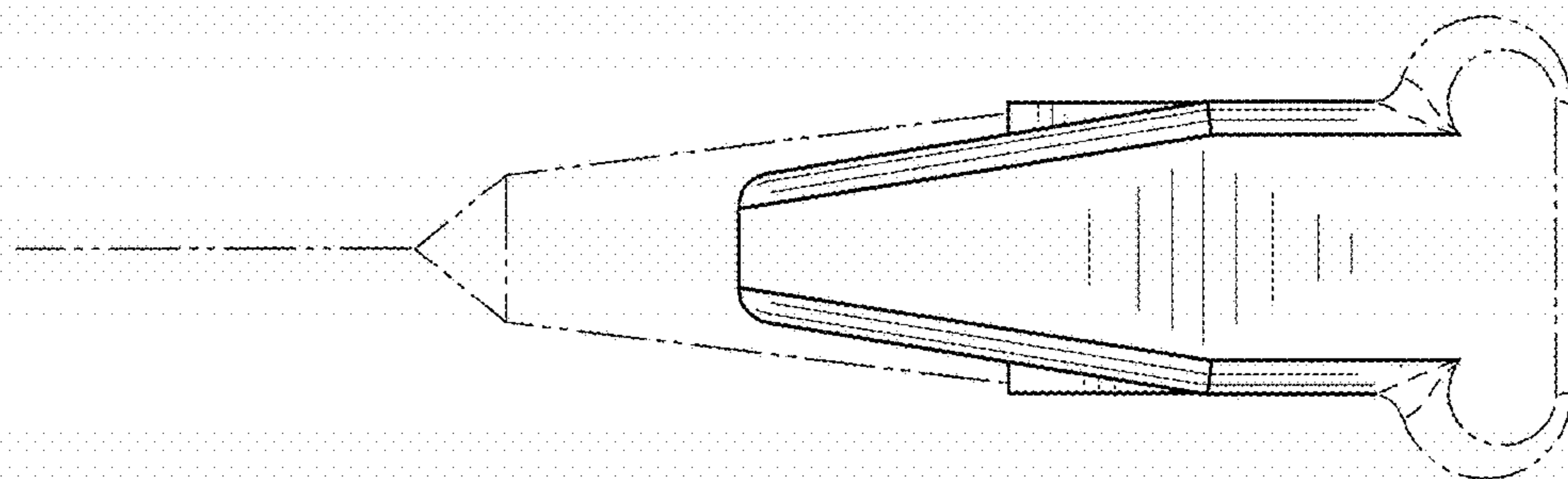


FIG. 5

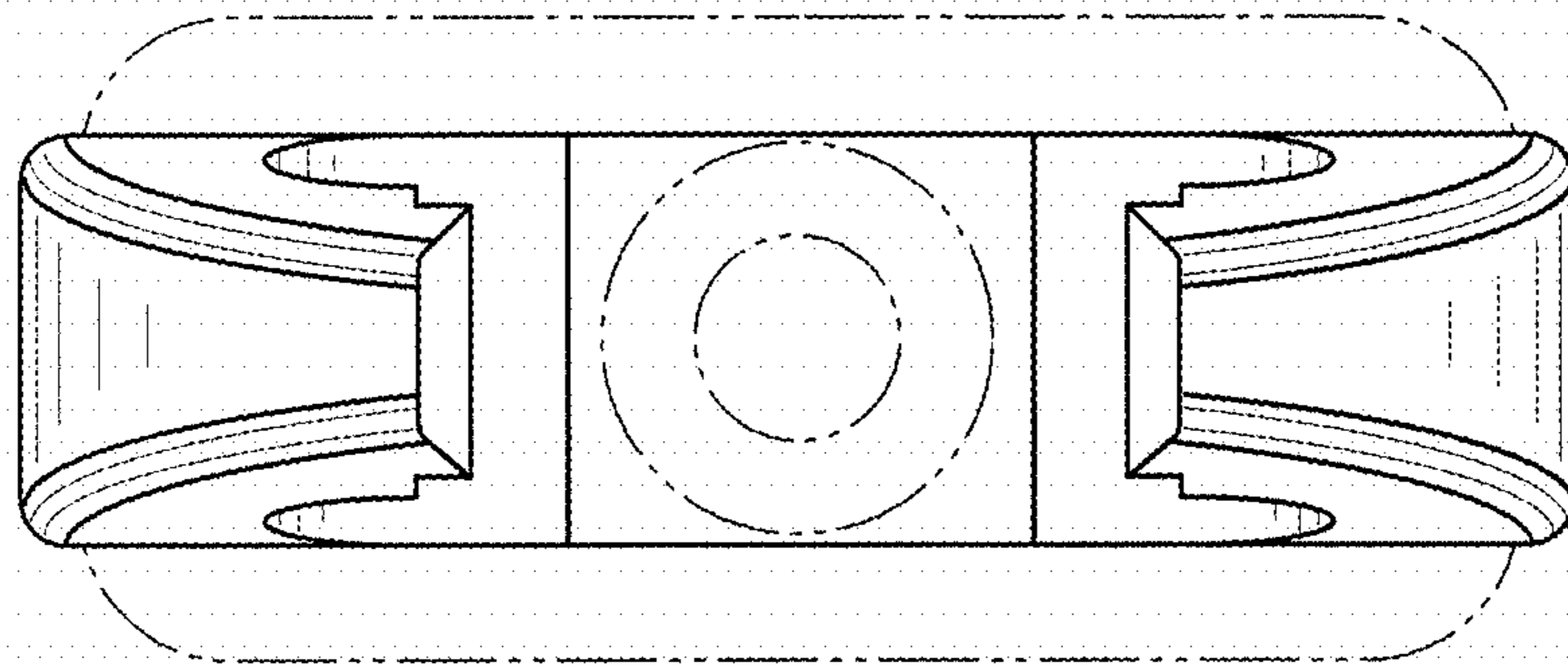


FIG. 6



FIG. 7