



US00D781415S

(12) **United States Design Patent**  
**Brannon et al.**

(10) **Patent No.:** **US D781,415 S**  
(45) **Date of Patent:** **\*\* Mar. 14, 2017**

- (54) **PORTAL**
- (71) Applicants: **James K Brannon**, Overland Park, KS  
(US); **Kristen Radcliff**, Longport, NJ  
(US)
- (72) Inventors: **James K Brannon**, Overland Park, KS  
(US); **Kristen Radcliff**, Longport, NJ  
(US)

7,785,294 B2 \* 8/2010 Hueil ..... A61B 17/3421  
604/167.06  
8,333,734 B2 \* 12/2012 Zohmann ..... A61B 17/3401  
604/164.01  
8,579,807 B2 \* 11/2013 Moreno, Jr. .... A61B 17/3462  
600/203  
8,603,011 B2 \* 12/2013 Landowski ..... A61M 25/09041  
600/585  
D724,201 S \* 3/2015 Homsy ..... D24/112  
D749,742 S \* 2/2016 Ishibashi ..... D24/186  
D751,195 S \* 3/2016 Lai ..... D24/133

(\*\*) Term: **14 Years**

\* cited by examiner

(21) Appl. No.: **29/518,893**

*Primary Examiner* — David Muller

(22) Filed: **Feb. 27, 2015**

(74) *Attorney, Agent, or Firm* — Intellectual Property  
Center, LLC; Arthur K. Shaffer

(51) **LOC (10) Cl.** ..... **24-02**

(52) **U.S. Cl.**  
USPC ..... **D24/112**

(57) **CLAIM**

The ornamental design for a portal, as shown and described.

(58) **Field of Classification Search**  
USPC ..... D24/127–131, 112–114, 133, 186;  
606/181, 185; 604/264, 523–528, 272,  
604/187, 158, 164.01–164.11, 181, 184,  
604/227; 600/101, 139, 143; 128/200.24,  
128/207.14, 207.15

**DESCRIPTION**

CPC ..... A61M 25/00; A61M 39/00; A61M 27/00;  
A61M 25/0043; A61M 25/0067; A61M  
25/0097; A61F 2/958  
See application file for complete search history.

FIG. 1 is a side perspective view of a portal in accordance with the present invention;  
FIG. 2 is a front elevation thereof;  
FIG. 3 is a right side elevation, the left side being a mirror image thereof;  
FIG. 4 is a rear elevation thereof;  
FIG. 5 is a bottom plan view thereof; and,  
FIG. 6 is a top plan view thereof.

The dashed lines immediately adjacent to the claimed areas in FIG. 2 represent the boundaries of the claimed design. The dashed lines in the figures illustrate the portions of the design that form no part of the claimed design. None of the broken lines form any part of the claimed design.

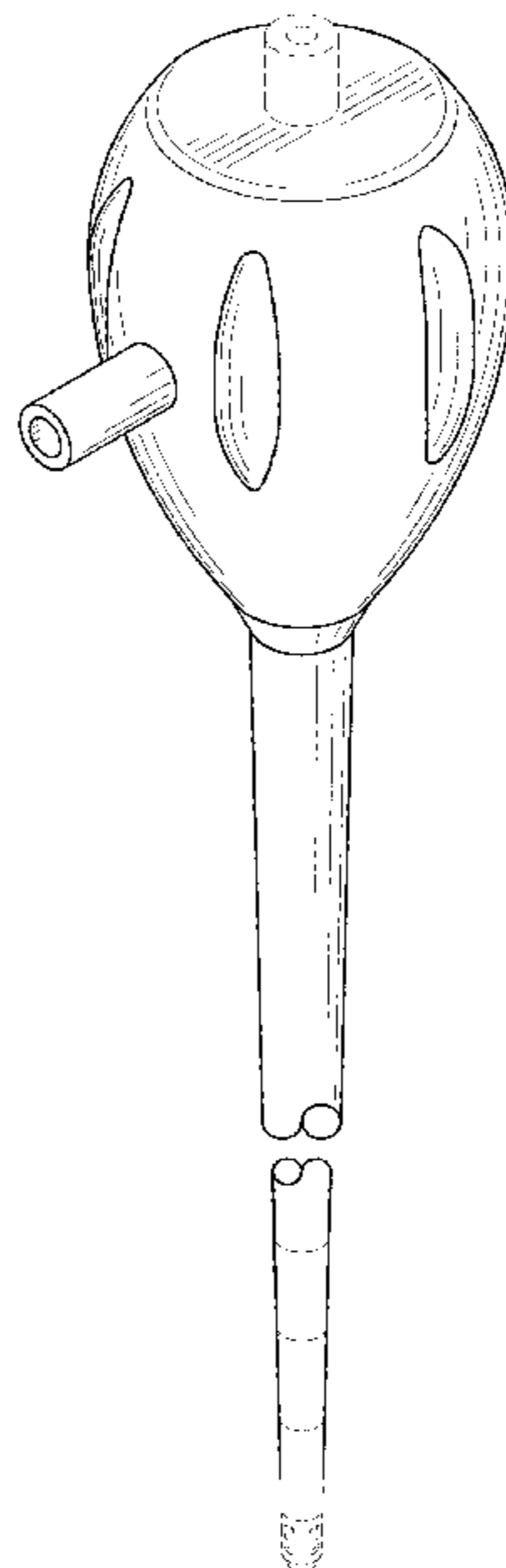
The portal is shown with a symbolic break in its length. The appearance of any portion of the article between the break lines forms no part of the claimed design.

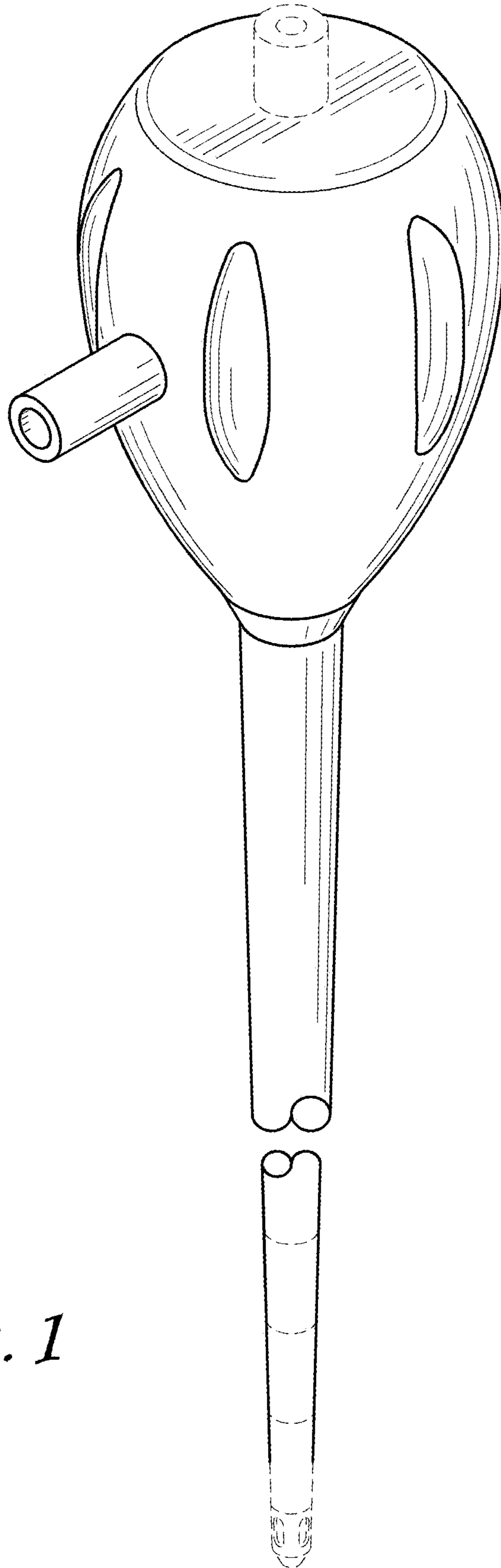
(56) **References Cited**

U.S. PATENT DOCUMENTS

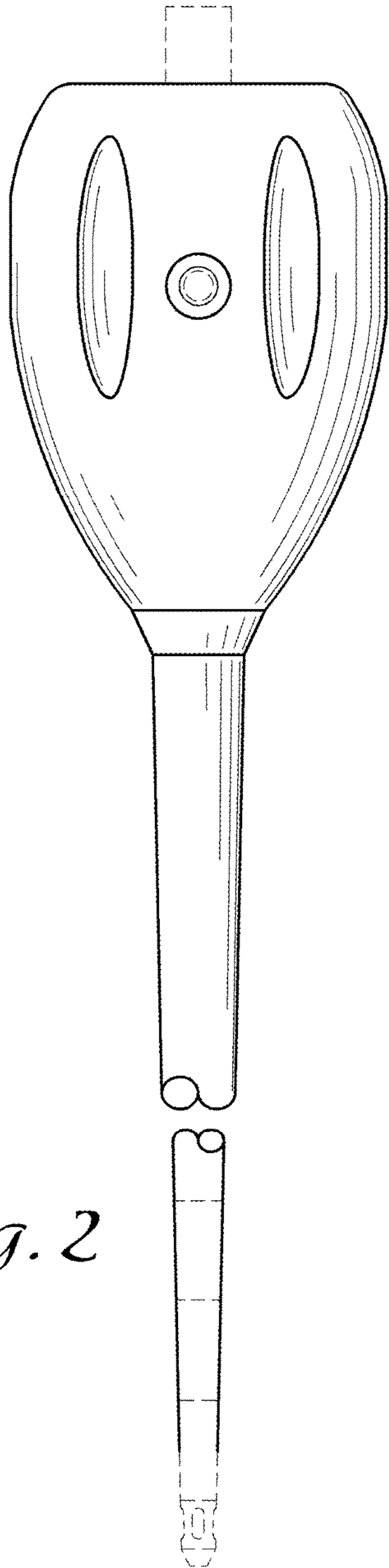
5,848,993 A \* 12/1998 Tanhehco ..... A61M 1/0011  
604/212  
D490,894 S \* 6/2004 Bogazzi ..... D24/133  
D490,895 S \* 6/2004 Bogazzi ..... D24/133  
D490,896 S \* 6/2004 Bogazzi ..... D24/133  
D497,668 S \* 10/2004 Bogazzi ..... D24/133  
7,329,233 B2 \* 2/2008 Gresham ..... A61B 17/3474  
604/164.01

**1 Claim, 3 Drawing Sheets**

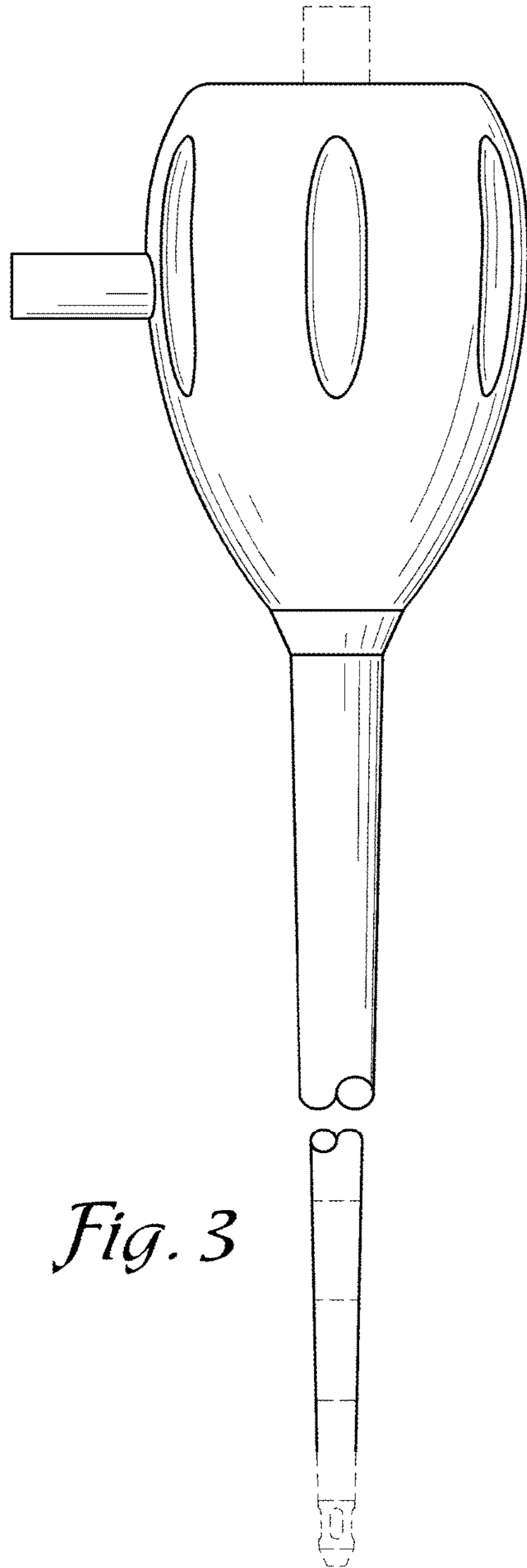




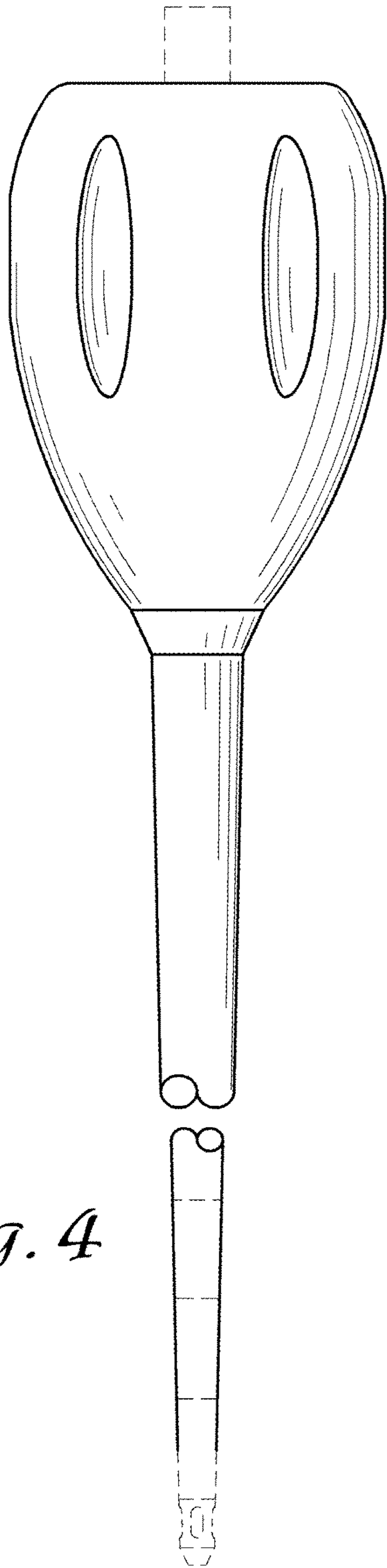
*Fig. 1*



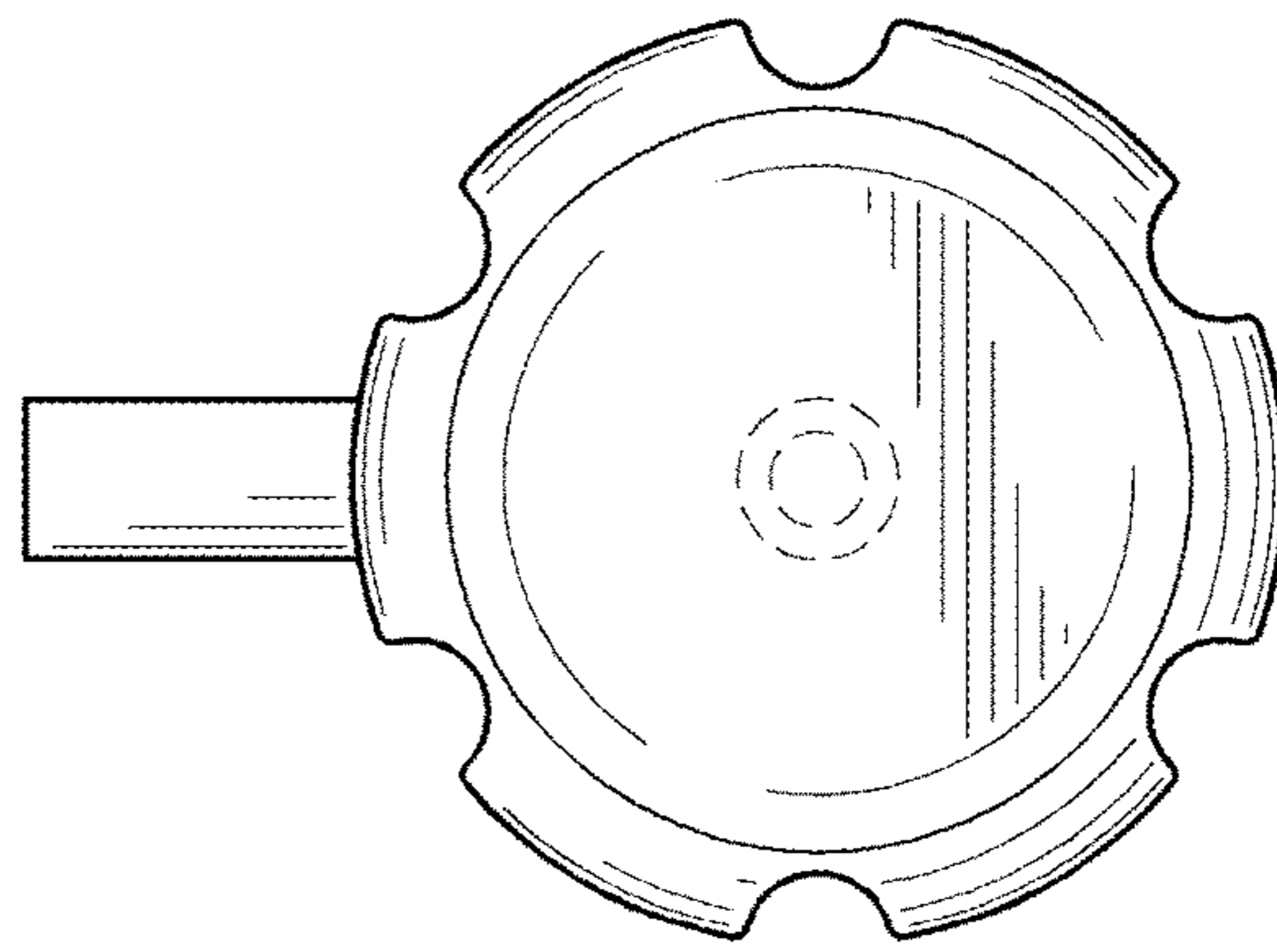
*Fig. 2*



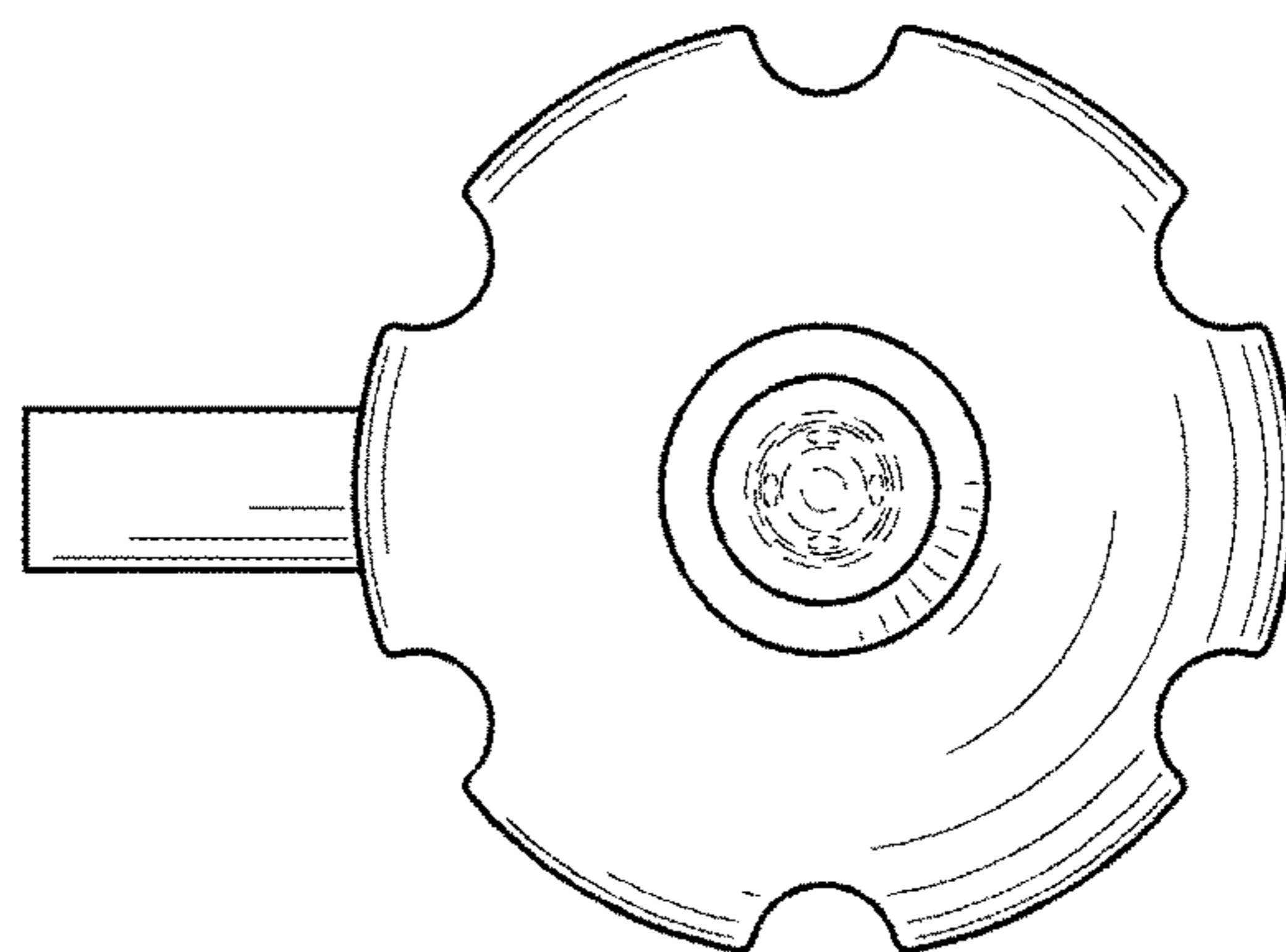
*Fig. 3*



*Fig. 4*



*Fig. 5*



*Fig. 6*