



US00D781412S

(12) **United States Design Patent**
Wieczorek et al.

(10) **Patent No.:** **US D781,412 S**
(45) **Date of Patent:** **** Mar. 14, 2017**

(54) **INHALER**
(71) Applicant: **CELON PHARMA S.A.**, Lomianki (PL)
(72) Inventors: **Maciej Wieczorek**, Lomianki (PL); **Andrzej Roszkowski**, Lomianki (PL)
(**) Term: **15 Years**
(21) Appl. No.: **35/500,490**
(22) Filed: **Sep. 16, 2015**
(80) **Hague Agreement Data**
Int. Filing Date: **Sep. 16, 2015**
Int. Reg. No.: **DM/088851**
Int. Reg. Date: **Sep. 16, 2015**
Int. Reg. Pub. Date: **Jan. 15, 2016**

(30) **Foreign Application Priority Data**

Apr. 9, 2015 (EM) 002678292-0001

(51) **LOC (10) Cl.** **24-00**
(52) **U.S. Cl.**
USPC **D24/110.5**
(58) **Field of Classification Search**
USPC D24/110.5, 110; D27/101; D9/687, 686;
128/203.15
CPC A61M 15/0065
See application file for complete search history.

(56) **References Cited**

U.S. PATENT DOCUMENTS

D391,369 S * 2/1998 Anderson D24/110
D417,731 S * 12/1999 Butler D24/110
D492,770 S * 7/2004 King D24/110
D494,673 S * 8/2004 King D24/110
D495,414 S * 8/2004 King D24/110
D498,840 S * 11/2004 King D24/110

D529,604 S * 10/2006 Young D24/110
D573,251 S * 7/2008 Pentafragas D24/110
D604,832 S * 11/2009 Smutney D24/110
D605,752 S * 12/2009 Polidoro D24/110
D629,506 S * 12/2010 Adamo D24/110.5
D629,887 S * 12/2010 Adamo D24/110.5
D629,889 S * 12/2010 Zuyderhoudt D24/110.5
D650,698 S * 12/2011 Lorenz D9/687
D654,805 S * 2/2012 Lua D9/686
D674,893 S * 1/2013 Kinsey D24/110
D681,803 S * 5/2013 Sheehy D24/110
D683,844 S * 6/2013 Andrade D24/110
D687,946 S * 8/2013 Brewer D24/110
D687,947 S * 8/2013 Brewer D24/110
D693,458 S * 11/2013 Wright D24/110
D709,178 S * 7/2014 Tanaka D24/110
D709,179 S * 7/2014 Inoue D24/110
D710,002 S * 7/2014 Valentine D24/110
D711,528 S * 8/2014 Grunstad D24/110
8,800,554 B2 * 8/2014 Gordon A61M 15/0065
128/203.15
D716,936 S * 11/2014 Jensen D24/110
D717,425 S * 11/2014 Von Schuckmann D24/110
D728,852 S * 5/2015 Hearn D27/101
D731,050 S * 6/2015 Meyer A61M 16/208
D24/110.5

(Continued)

Primary Examiner — Rhea Shields

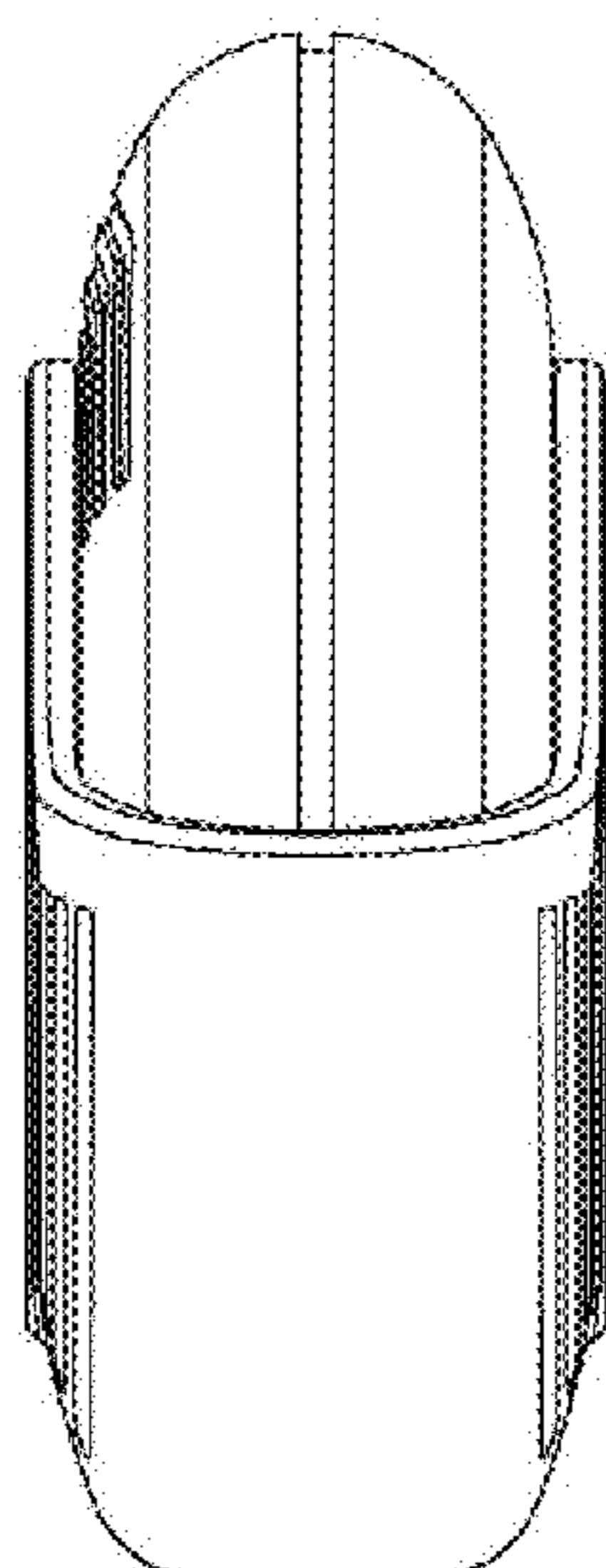
(57) **CLAIM**

The ornamental design for an inhaler, as shown and described.

DESCRIPTION

- 1. Inhaler
- 1.1 : Left
- 1.2 : Front
- 1.3 : Perspective
- 1.4 : Perspective
- 1.5 : Back
- 1.6 : Right
- 1.7 : Perspective

1 Claim, 7 Drawing Sheets



(56)

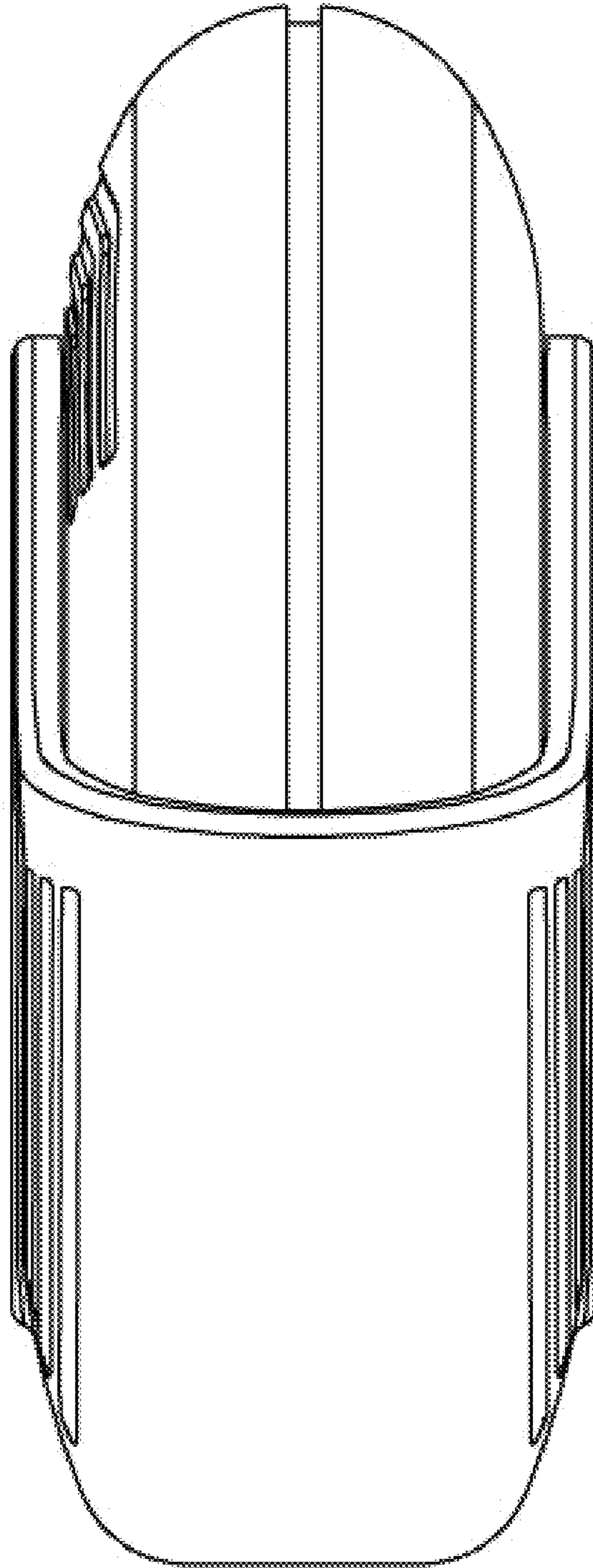
References Cited

U.S. PATENT DOCUMENTS

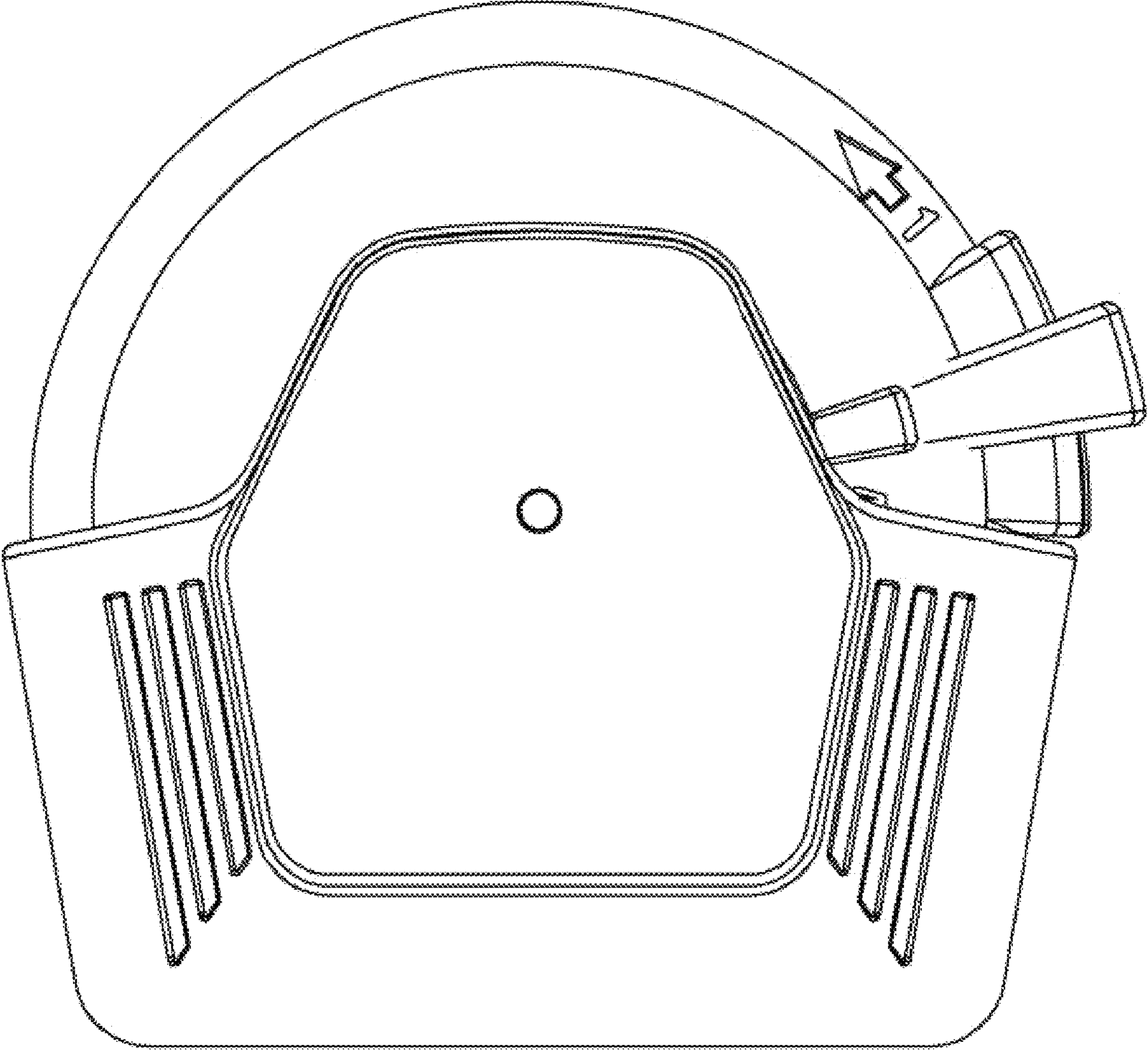
D733,287 S * 6/2015 Bilgic D24/110
D742,503 S * 11/2015 Mullinger D24/110
D744,636 S * 12/2015 Sanders D24/110.5
D745,660 S * 12/2015 Gruntad D24/110
D755,950 S * 5/2016 Meliniotis D24/110
D757,242 S * 5/2016 Maksym D24/110
D765,831 S * 9/2016 Li D24/110
D769,438 S * 10/2016 Crosby D24/110

* cited by examiner

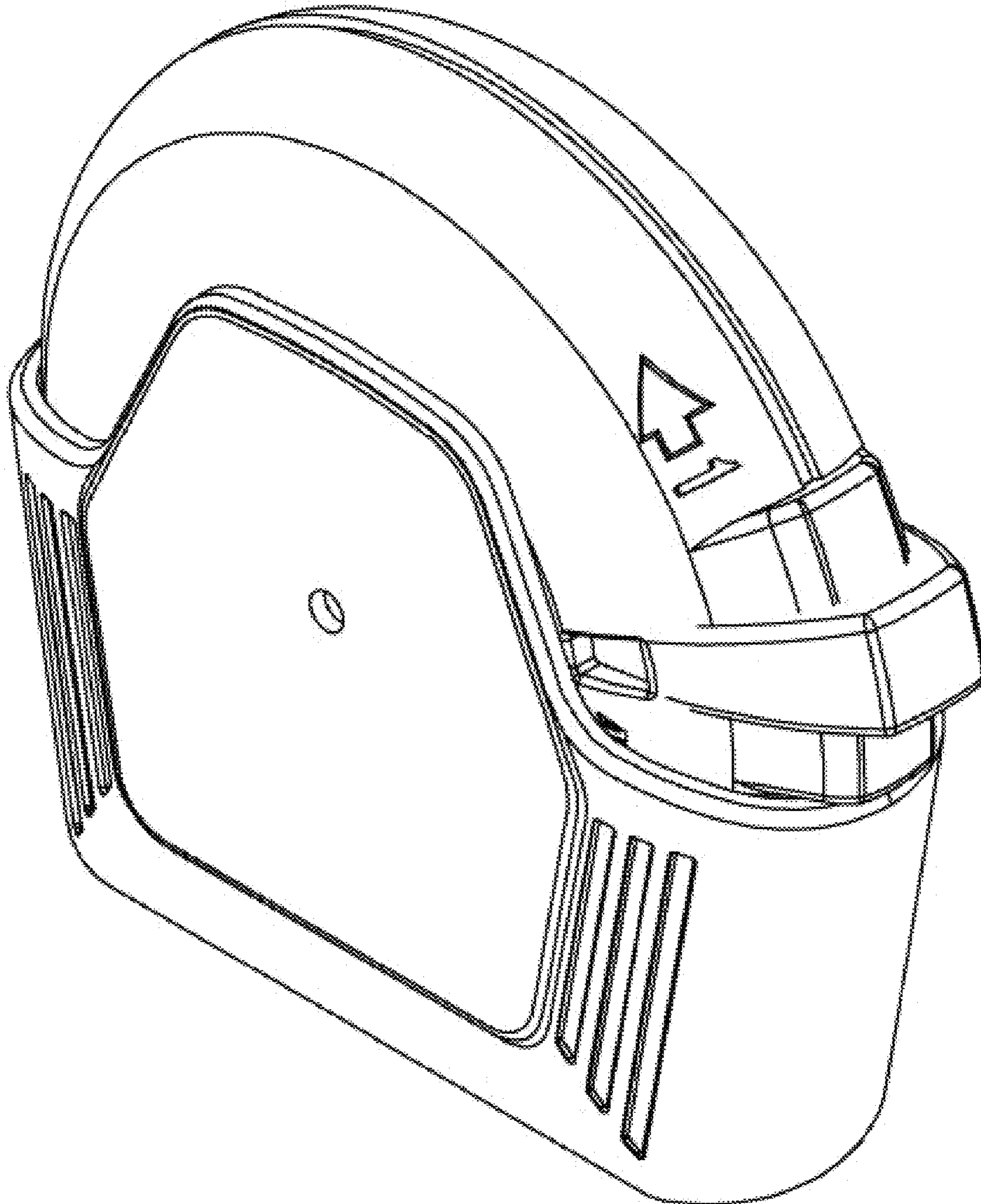
1.1



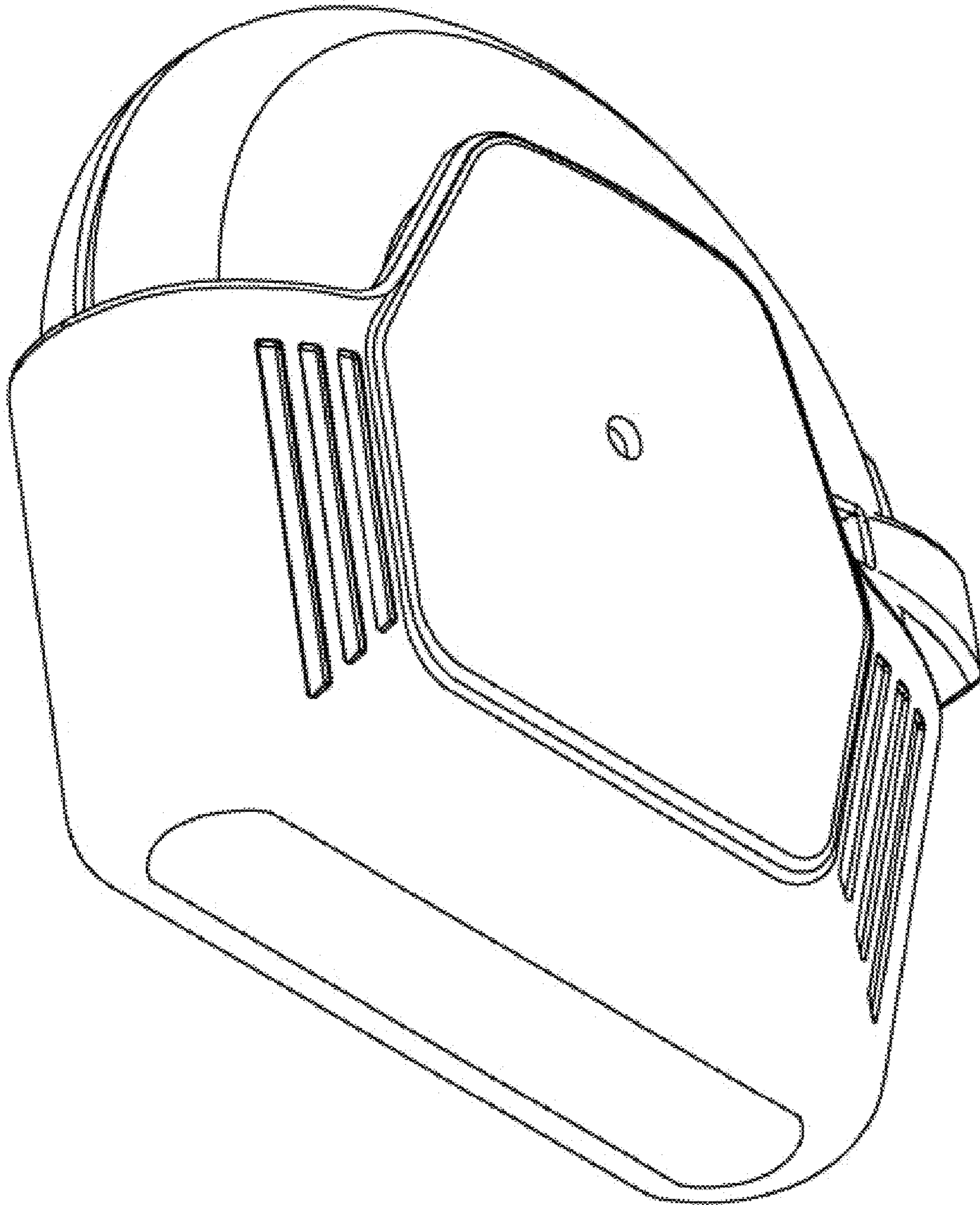
1.2



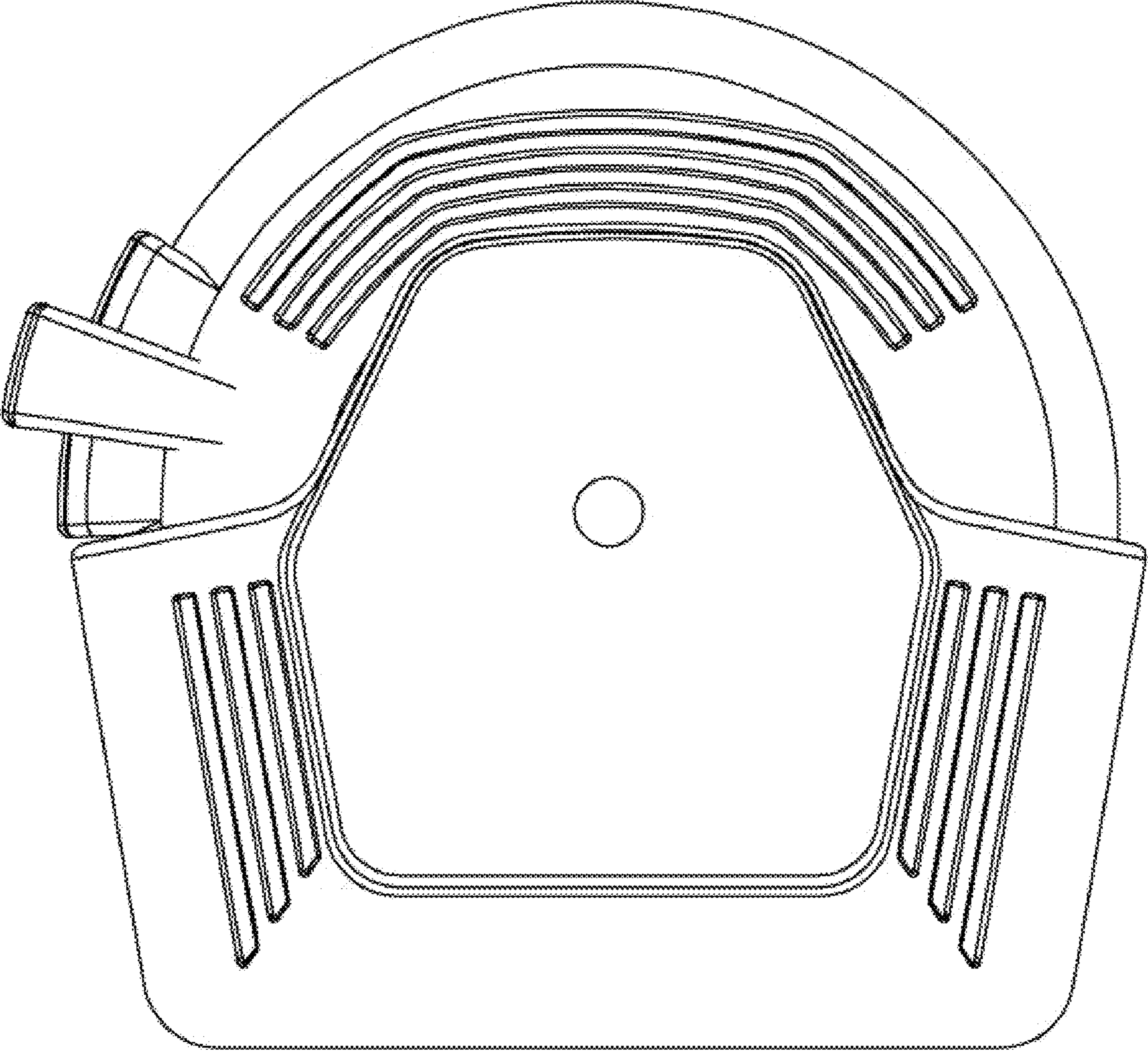
1.3



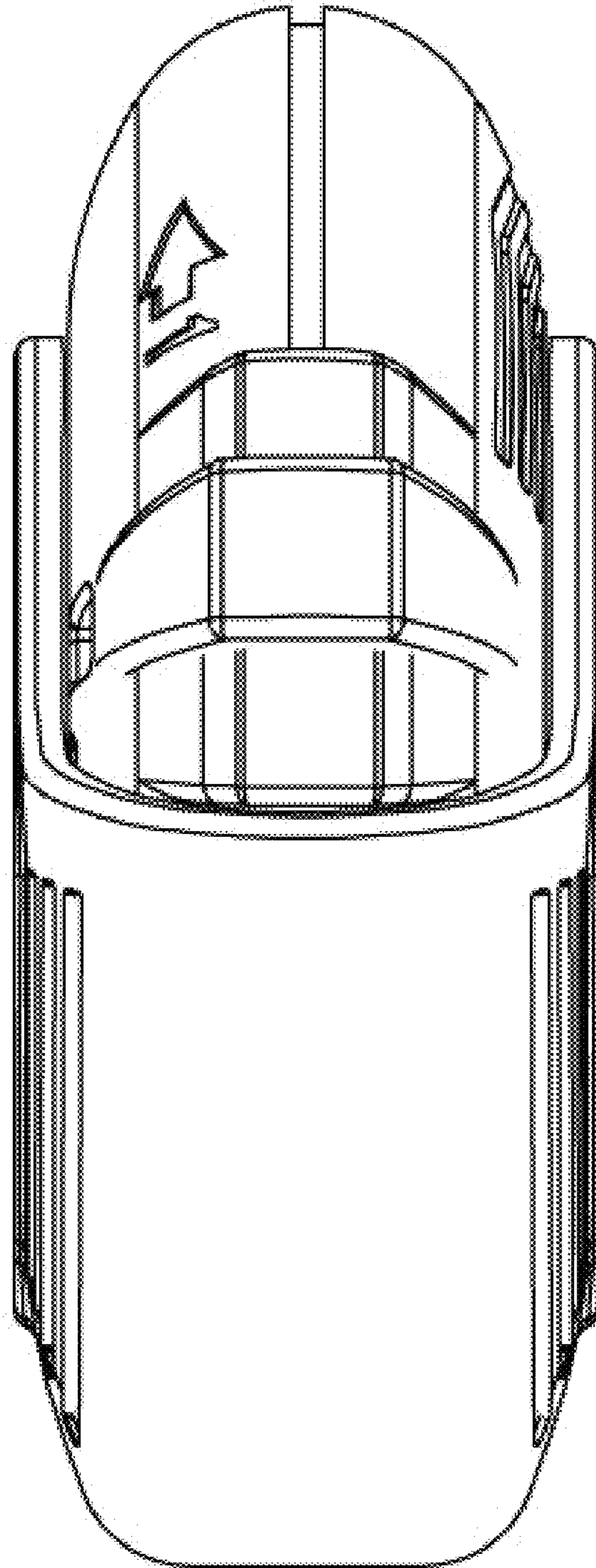
1.4



1.5



1.6



1.7

