



US00D781411S

(12) **United States Design Patent** (10) **Patent No.:** **US D781,411 S**  
**Polaniec et al.** (45) **Date of Patent:** **\*\* Mar. 14, 2017**

(54) **DIALYSIS MACHINE**

(56) **References Cited**

(71) Applicant: **B. BRAUN AVITUM AG**, Melsungen (DE)

U.S. PATENT DOCUMENTS

(72) Inventors: **James Paul Polaniec**, Avon, OH (US);  
**Enrico Corazzari**, Modena (IT)

|               |         |                 |                      |
|---------------|---------|-----------------|----------------------|
| D234,878 S *  | 4/1975  | Sikes .....     | D24/169              |
| 4,585,436 A * | 4/1986  | Davis .....     | A61M 1/28<br>604/29  |
| D395,085 S *  | 6/1998  | Kenley .....    | D24/169              |
| 5,788,099 A * | 8/1998  | Treu .....      | A61L 2/04<br>141/329 |
| D446,861 S *  | 8/2001  | Meziere .....   | D24/169              |
| D540,948 S *  | 4/2007  | Meziere .....   | D24/108              |
| D544,103 S *  | 6/2007  | Meziere .....   | D24/216              |
| D579,553 S *  | 10/2008 | Crnkovich ..... | D24/111              |
| D611,137 S *  | 3/2010  | Olsson .....    | D24/107              |
| D619,241 S *  | 7/2010  | Olsson .....    | D24/107              |
| D627,470 S *  | 11/2010 | Hickey .....    | D24/169              |
| D672,471 S *  | 12/2012 | Franco .....    | D24/232              |

(73) Assignee: **B. BRAUN AVITUM AG**, Melsungen (DE)

(\*\*) Term: **15 Years**

(21) Appl. No.: **35/500,136**

(22) Filed: **Aug. 18, 2015**

(80) **Hague Agreement Data**

Int. Filing Date: **Aug. 18, 2015**

Int. Reg. No.: **DM/087416**

Int. Reg. Date: **Aug. 18, 2015**

Int. Reg. Pub. Date: **Sep. 18, 2015**

(30) **Foreign Application Priority Data**

Mar. 17, 2015 (EM) ..... 002656694

(51) **LOC (10) Cl.** ..... **24-01**

(52) **U.S. Cl.**

USPC ..... **D24/107**; D24/169

(58) **Field of Classification Search**

USPC ..... D24/107, 169, 183-187, 216-234;  
D34/19; 210/96.1, 232, 321.65, 321.71,  
210/645-646; 600/475-476; 604/4.01,  
604/29, 34, 66, 83

CPC ..... A61M 1/14; A61M 1/28; A61M 1/167;  
A61M 1/1658; A61M 1/1666; A61M  
1/1696; F17D 3/00; G06F 3/0412

See application file for complete search history.

(Continued)

*Primary Examiner* — Darlington Ly

(74) *Attorney, Agent, or Firm* — RatnerPrestia

(57) **CLAIM**

The ornamental design for a dialysis machine, as shown and described.

**DESCRIPTION**

The patent or application file contains at least one drawing executed in color. Copies of this patent or patent application publication with color drawing(s) will be provided by the Office upon request and payment of the necessary fee.

FIG. 1.1 is a front perspective view of a dialysis machine showing our new design;

FIG. 1.2 is a top plan view thereof;

FIG. 1.3 is a left-side elevation view thereof;

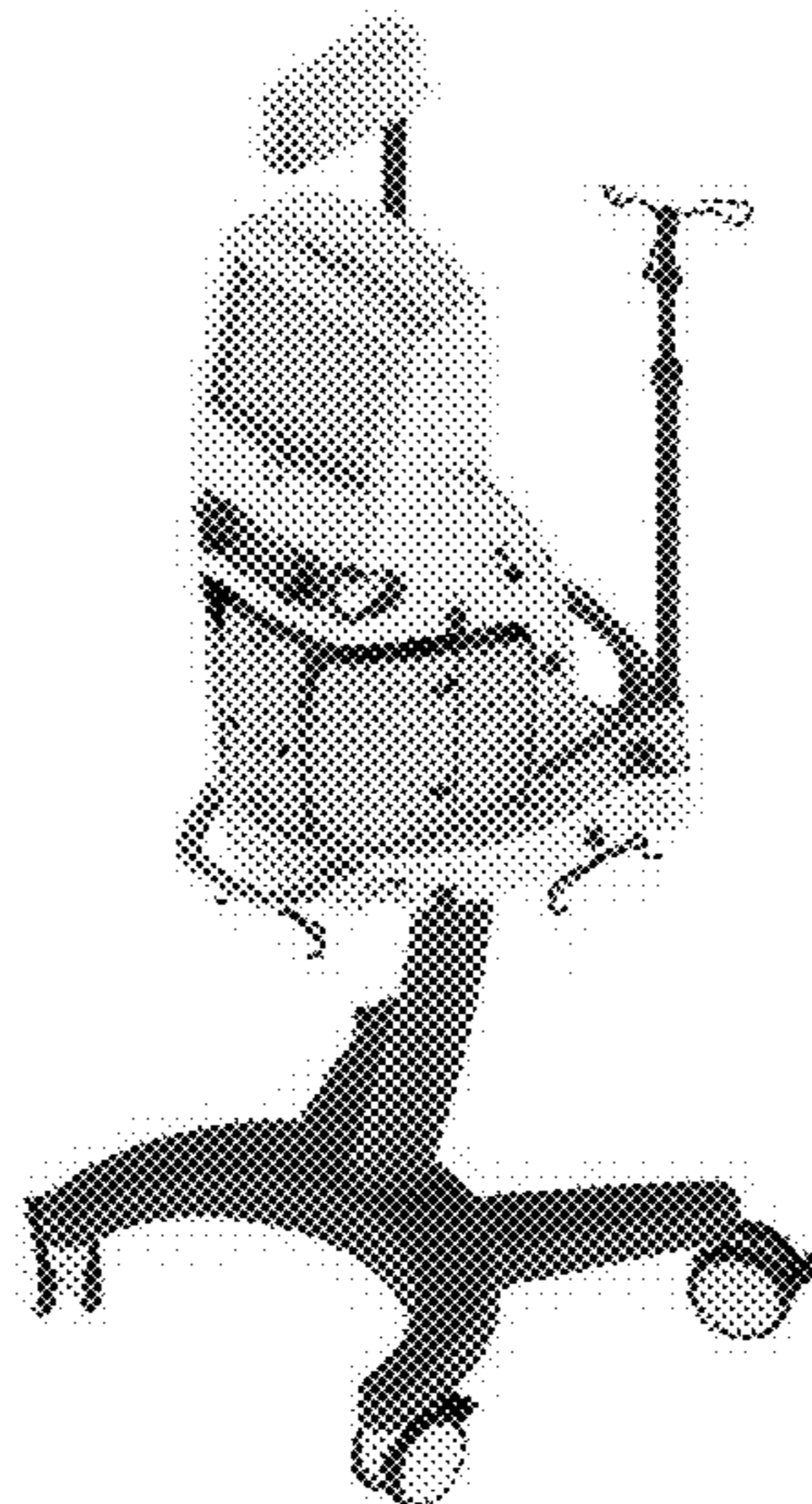
FIG. 1.4 is a front elevation view thereof;

FIG. 1.5 is a right-side elevation view thereof; and

FIG. 1.6 is a rear elevation view thereof.

The broken line showing of the dialysis machine is for the purpose of illustrating portions of the dialysis machine and forms no part of the claimed design.

**1 Claim, 6 Drawing Sheets**  
**(6 of 6 Drawing Sheet(s) Filed in Color)**



(56)

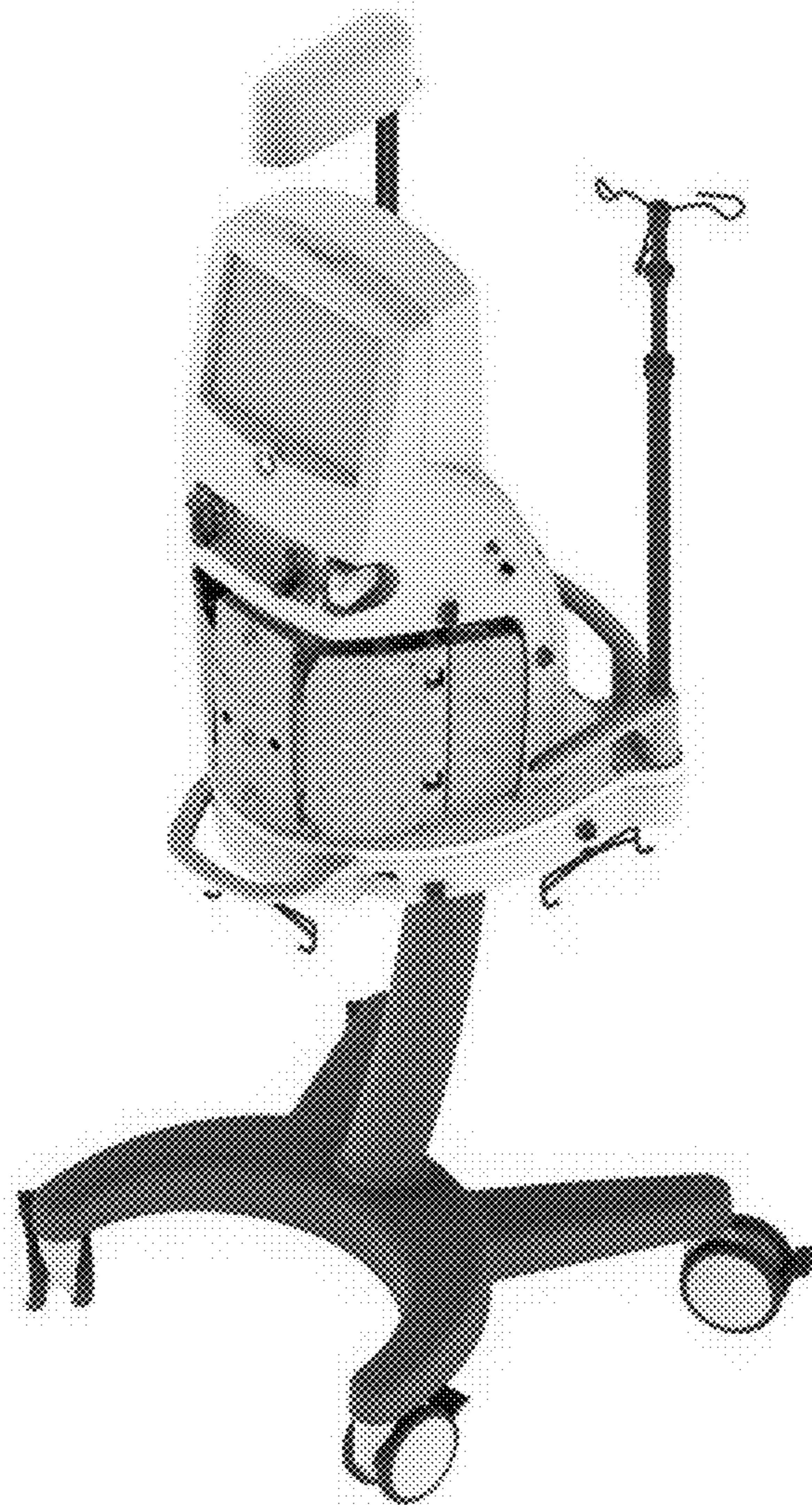
**References Cited**

U.S. PATENT DOCUMENTS

|              |      |        |          |       |              |         |
|--------------|------|--------|----------|-------|--------------|---------|
| 8,540,875    | B2 * | 9/2013 | Levin    | ..... | A61M 1/1658  | 210/109 |
| D724,740     | S *  | 3/2015 | Collins  | ..... | D24/169      |         |
| 2010/0224547 | A1 * | 9/2010 | Fujii    | ..... | F04B 43/1253 | 210/236 |
| 2011/0017665 | A1 * | 1/2011 | Updyke   | ..... | A61M 1/1696  | 210/638 |
| 2011/0120946 | A1 * | 5/2011 | Levin    | ..... | A61M 1/1658  | 210/637 |
| 2011/0220562 | A1 * | 9/2011 | Beiriger | ..... | A61M 1/1696  | 210/120 |
| 2014/0138291 | A1 * | 5/2014 | Voelz    | ..... | F17D 3/00    | 210/85  |
| 2016/0077644 | A1 * | 3/2016 | Ritter   | ..... | A61M 1/14    | 210/85  |

\* cited by examiner

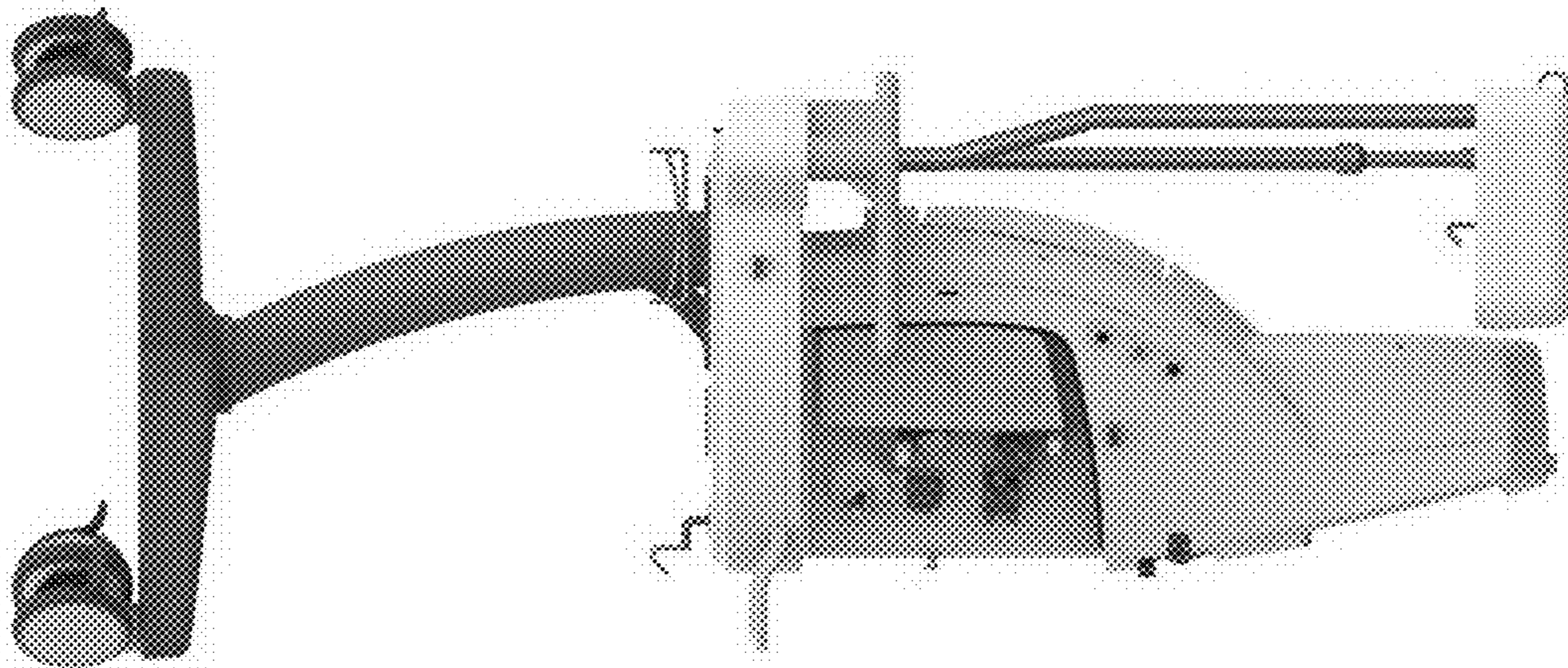
1.1



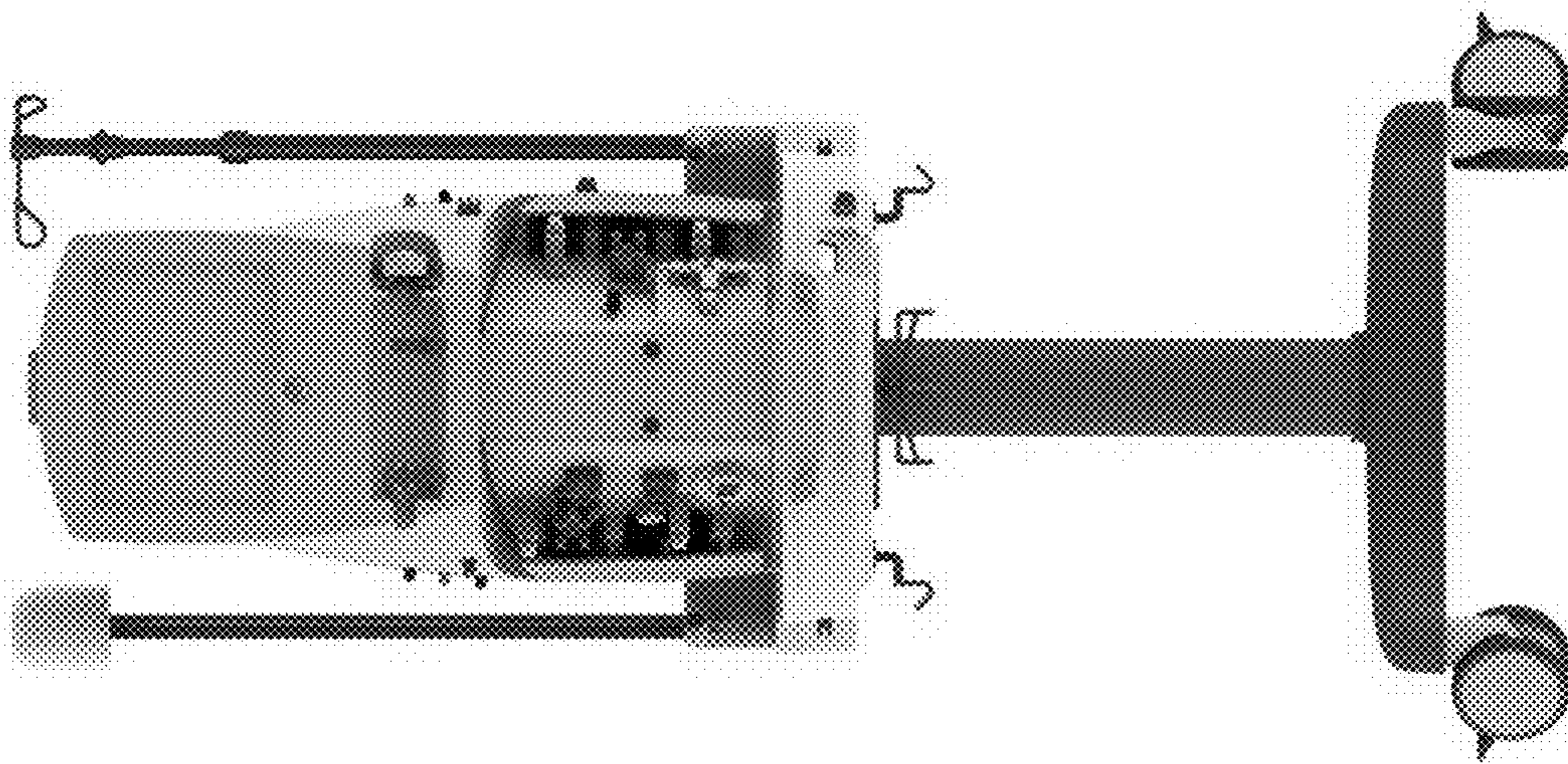
1.2



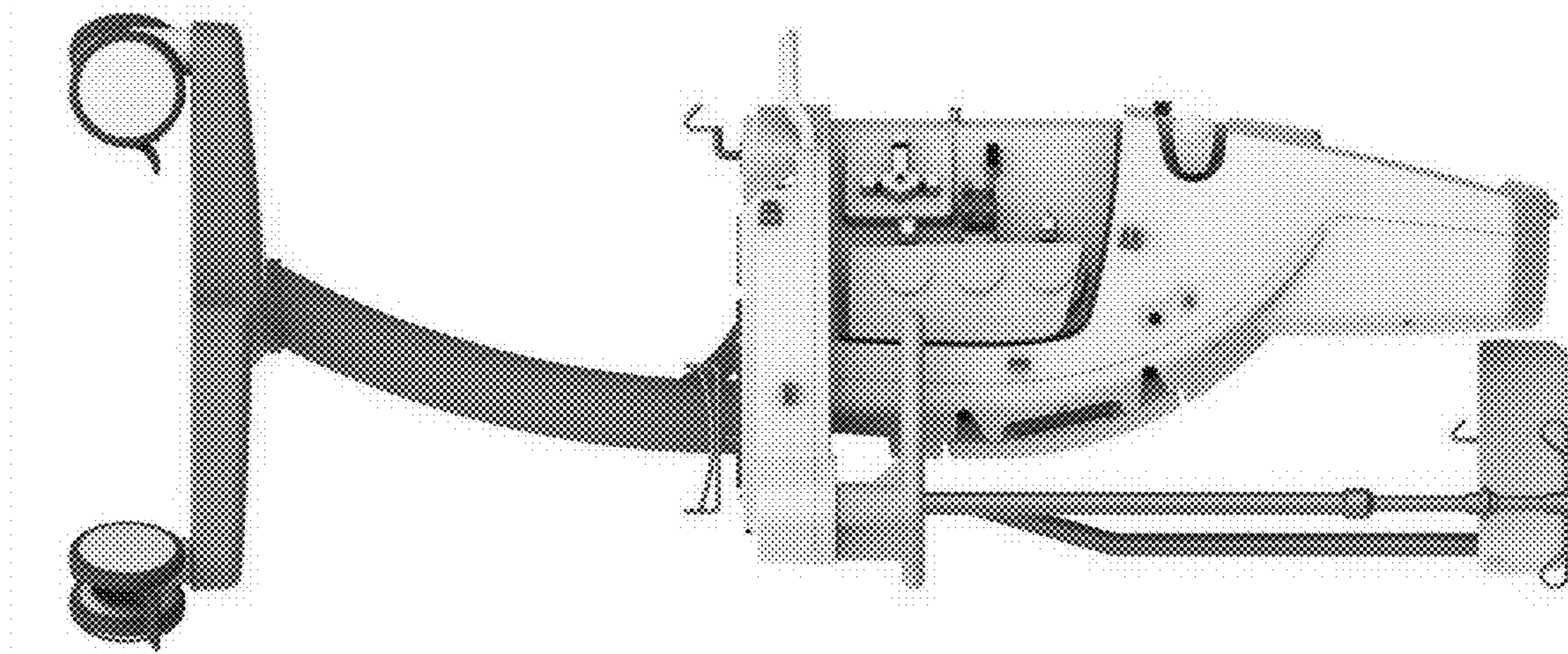
1.3



1.4



1.5



1.6

