

US00D781407S

(12) **United States Design Patent**
Gajewski

(10) **Patent No.:** **US D781,407 S**

(45) **Date of Patent:** **** *Mar. 14, 2017**

(54) **CEILING FAN WITH LIGHT FIXTURE**

D346,439 S 4/1994 Liu
D346,858 S 5/1994 Lee
D352,997 S 11/1994 DiPasquale
D355,027 S 1/1995 Young
5,440,459 A 8/1995 Chan

(Continued)

(71) Applicant: **Minka Lighting, Inc.**, Corona, CA
(US)

(72) Inventor: **Mark Gajewski**, Avila Beach, CA (US)

(73) Assignee: **Minka Lighting, Inc.**, Corona, CA
(US)

(*) Notice: This patent is subject to a terminal disclaimer.

(**) Term: **15 Years**

(21) Appl. No.: **29/565,812**

(22) Filed: **May 24, 2016**

Related U.S. Application Data

(63) Continuation of application No. 29/503,770, filed on Sep. 29, 2014, now Pat. No. Des. 758,560.

(51) **LOC (10) Cl.** **23-04**

(52) **U.S. Cl.**
USPC **D23/385**

(58) **Field of Classification Search**
USPC D23/370-385, 411-414, 59;
392/360-364; 416/5, 170 R, 93 R, 210 R,
416/223 R, 207
CPC F04D 29/34; F04D 29/38; F04D 25/088
See application file for complete search history.

(56) **References Cited**

U.S. PATENT DOCUMENTS

4,592,702 A 6/1986 Bodge
D297,360 S 8/1988 Cheslock
D304,229 S 10/1989 Rezek
D314,618 S 2/1991 Yen
D315,599 S 3/1991 Freeman
D345,790 S 4/1994 Caldwell
D346,438 S 4/1994 Caldwell

OTHER PUBLICATIONS

Minka Aire Geo-Gem Ceiling Fan Model F735-LN. hansenwholesale.com (online) 9 pgs. Uploaded Jan. 2014 [retrieved on Jan. 28, 2015]. Retrieved from Internet: <<http://www.hansenwholesale.com/ceilingfans/minkaaire/model.asp?ProdNo=MF-F735-LN>>.

Primary Examiner — Sandra Snapp

(74) *Attorney, Agent, or Firm* — Baker & McKenzie LLP

(57) **CLAIM**

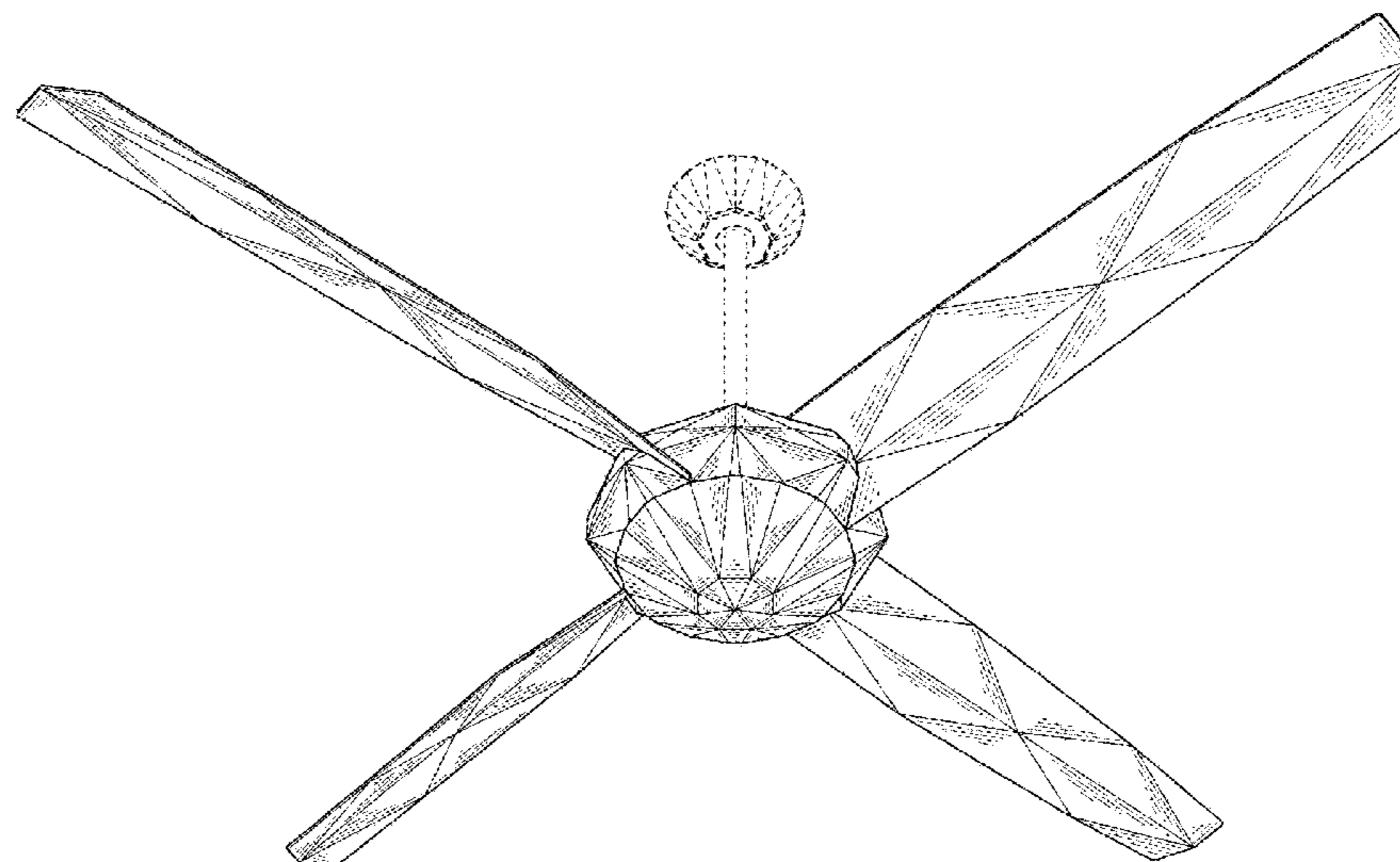
The ornamental design for a ceiling fan with light fixture, as shown and described.

DESCRIPTION

FIG. 1 is a perspective view of a ceiling fan with light fixture in accordance with my design;
FIG. 2 is a top plan view of the ceiling fan with light fixture in accordance with my design;
FIG. 3 is a bottom plan view of the ceiling fan with light fixture in accordance with my design;
FIG. 4 is a side elevation view of the ceiling fan with light fixture in accordance with my design, the opposite side being identical thereto; and,
FIG. 5 is a front elevation view of the ceiling fan with light fixture in accordance with my design, the rear view being identical thereto.

The broken line disclosure of elements is understood to represent portions of the article in which the design is embodied and are environmental, but form no part of the claimed design. The ceiling fan mount has been removed in FIG. 2 for ease of illustration.

1 Claim, 4 Drawing Sheets



(56)

References Cited

U.S. PATENT DOCUMENTS

D376,008 S	11/1996	Chan	D489,124 S	4/2004	Young	
D377,975 S	2/1997	Young	D492,022 S	6/2004	Young	
D379,073 S	5/1997	Yuan	D494,267 S	8/2004	Burns	
D387,149 S	12/1997	Tsuji	D499,983 S	12/2004	Haggar	
D394,103 S	5/1998	Lee	D508,126 S	8/2005	Curtin	
D408,073 S	4/1999	Tai	D511,710 S	11/2005	Bobovnikov	
D408,074 S	4/1999	Tai	D512,138 S	11/2005	Clymer	
D408,516 S	4/1999	Tai	D514,692 S	2/2006	Gajewski	
D408,518 S	4/1999	Liu	D519,199 S	4/2006	Gajewski	
D409,297 S	5/1999	Tai	D519,625 S	4/2006	Young	
D417,270 S	11/1999	Thomas	D522,645 S	6/2006	Ertze	
D428,984 S	8/2000	Lee	D535,907 S	1/2007	Sevdermish	
D430,280 S	8/2000	Huang	D551,753 S	9/2007	Ertze	
D433,114 S	10/2000	Liu	D576,265 S	9/2008	Bucher et al.	
D434,491 S	11/2000	Nourse	D590,489 S	4/2009	Bucher et al.	
D448,840 S	10/2001	Gajewski	D596,733 S	7/2009	Kihara	
D453,217 S	1/2002	Young	D596,734 S	7/2009	Kihara	
D453,563 S	2/2002	Bogazzi	D599,461 S	9/2009	Ertze	
6,394,756 B1	5/2002	Bucher	D643,768 S	8/2011	Botha	
D465,297 S	11/2002	Thomas	D750,217 S *	2/2016	Gajewski	D23/411
D466,206 S	11/2002	Gajewski	D750,218 S *	2/2016	Gajewski	D23/411
D475,801 S	6/2003	Stewart	D758,562 S *	6/2016	Gajewski	D23/411
D476,728 S	7/2003	Gajewski	D759,228 S *	6/2016	Gajewski	D23/411
D477,068 S	7/2003	Hsieh	2008/0069698 A1	3/2008	Laisathit	
			2012/0219440 A1	8/2012	Seccareccia	
			2013/0038255 A1	2/2013	Trainque	

* cited by examiner

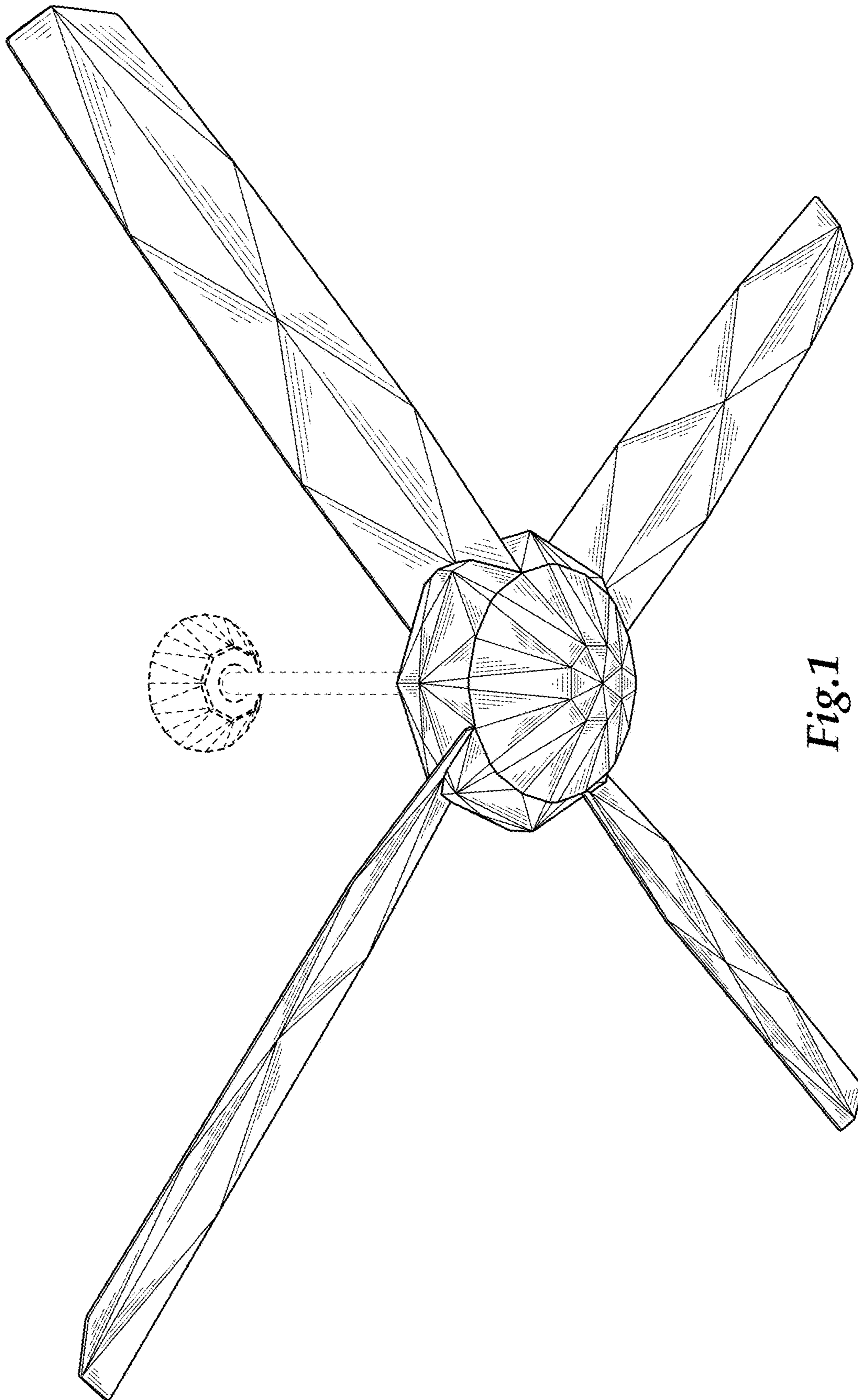


Fig. 1

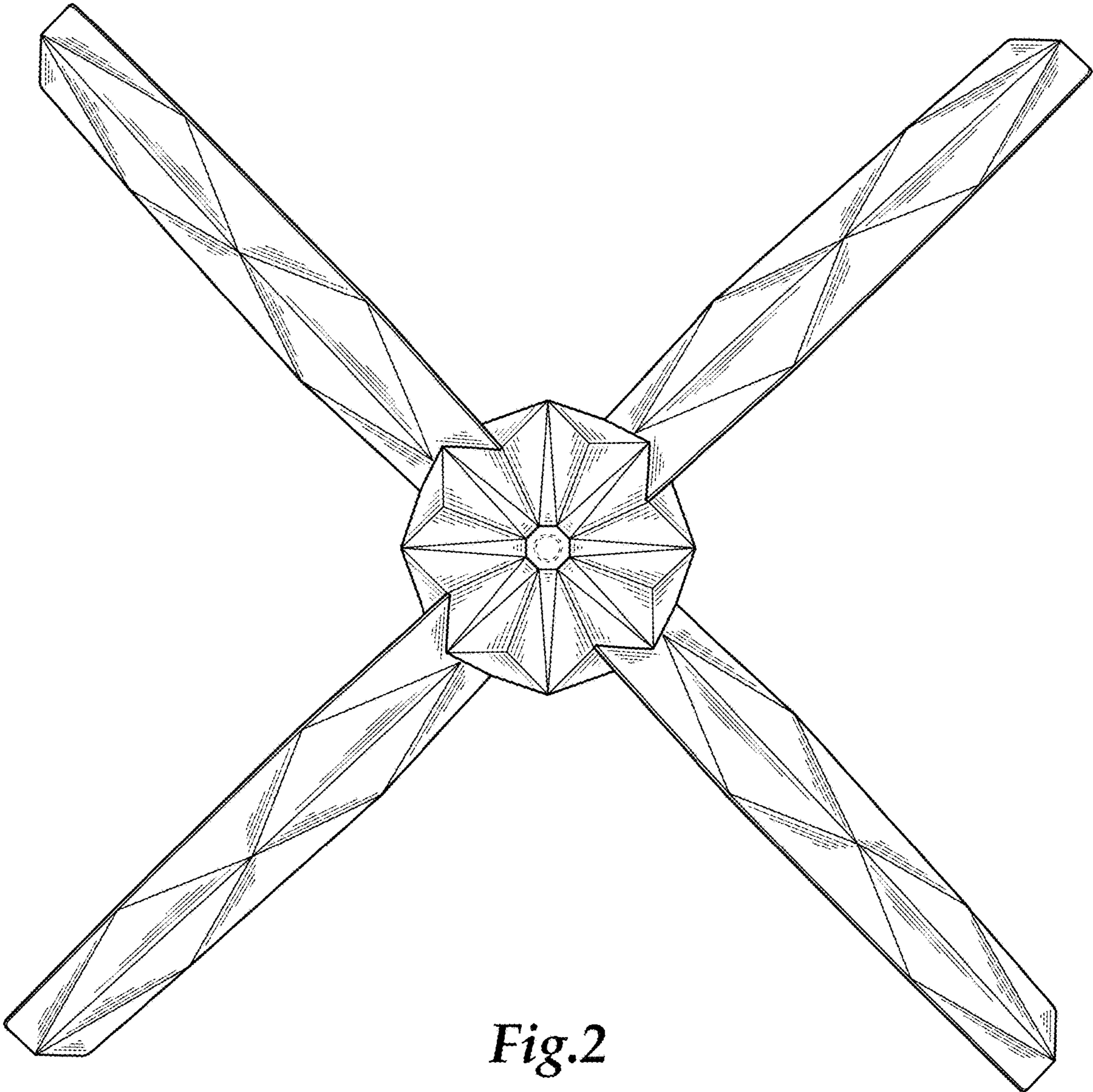


Fig. 2

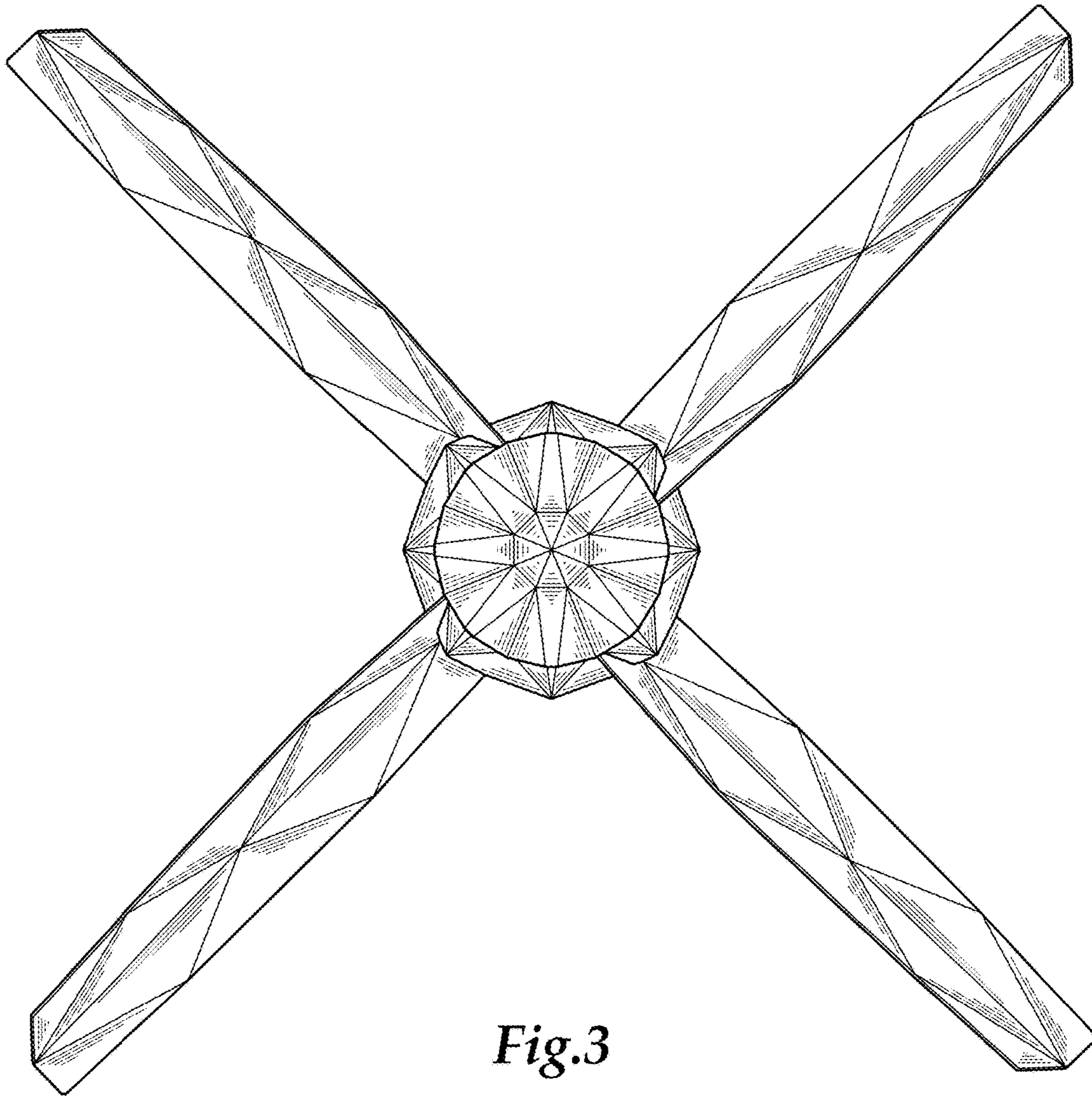


Fig.3

