



US00D781404S

(12) **United States Design Patent**  
**Galloway**

(10) **Patent No.:** **US D781,404 S**  
(45) **Date of Patent:** **\*\* Mar. 14, 2017**

(54) **SANITARY TOILET SEAT COVER**

6,038,708 A \* 3/2000 Schreck ..... A47K 13/10  
4/244.1

(71) Applicant: **Stephanie Galloway**, Jacksonville, FL  
(US)

D463,975 S 10/2002 Sipinen  
7,377,395 B1 5/2008 Mak

(72) Inventor: **Stephanie Galloway**, Jacksonville, FL  
(US)

8,549,676 B1 10/2013 Mandel  
D708,723 S \* 7/2014 Risgallah ..... D23/311

2004/0154949 A1 8/2004 Lenhard et al.  
2008/0256694 A1 10/2008 Wilbarger  
2013/0206640 A1 8/2013 Mann, Jr.

(\*\*) Term: **15 Years**

\* cited by examiner

(21) Appl. No.: **29/560,602**

*Primary Examiner* — Robert Delehanty

(22) Filed: **Apr. 8, 2016**

(57) **CLAIM**

(51) **LOC (10) Cl.** ..... **23-02**

The ornamental design for a sanitary toilet seat cover, as shown and described.

(52) **U.S. Cl.**

**DESCRIPTION**

USPC ..... **D23/311**

(58) **Field of Classification Search**

USPC ..... D23/311, 303, 309  
CPC ..... A47K 13/00; A47K 13/14; A47K 13/16;  
A47K 13/18

See application file for complete search history.

FIG. 1 is a front view of a sanitary toilet seat cover showing my new design, a rear view being identical;  
FIG. 2 is a left side view of the sanitary toilet seat cover, a right side view being identical;  
FIG. 3 is a top view of the sanitary toilet seat cover, a bottom view being identical;  
FIG. 4 is a top front side perspective view of the sanitary toilet seat cover; and,  
FIG. 5 is a bottom front side perspective view of the sanitary toilet seat cover in use.

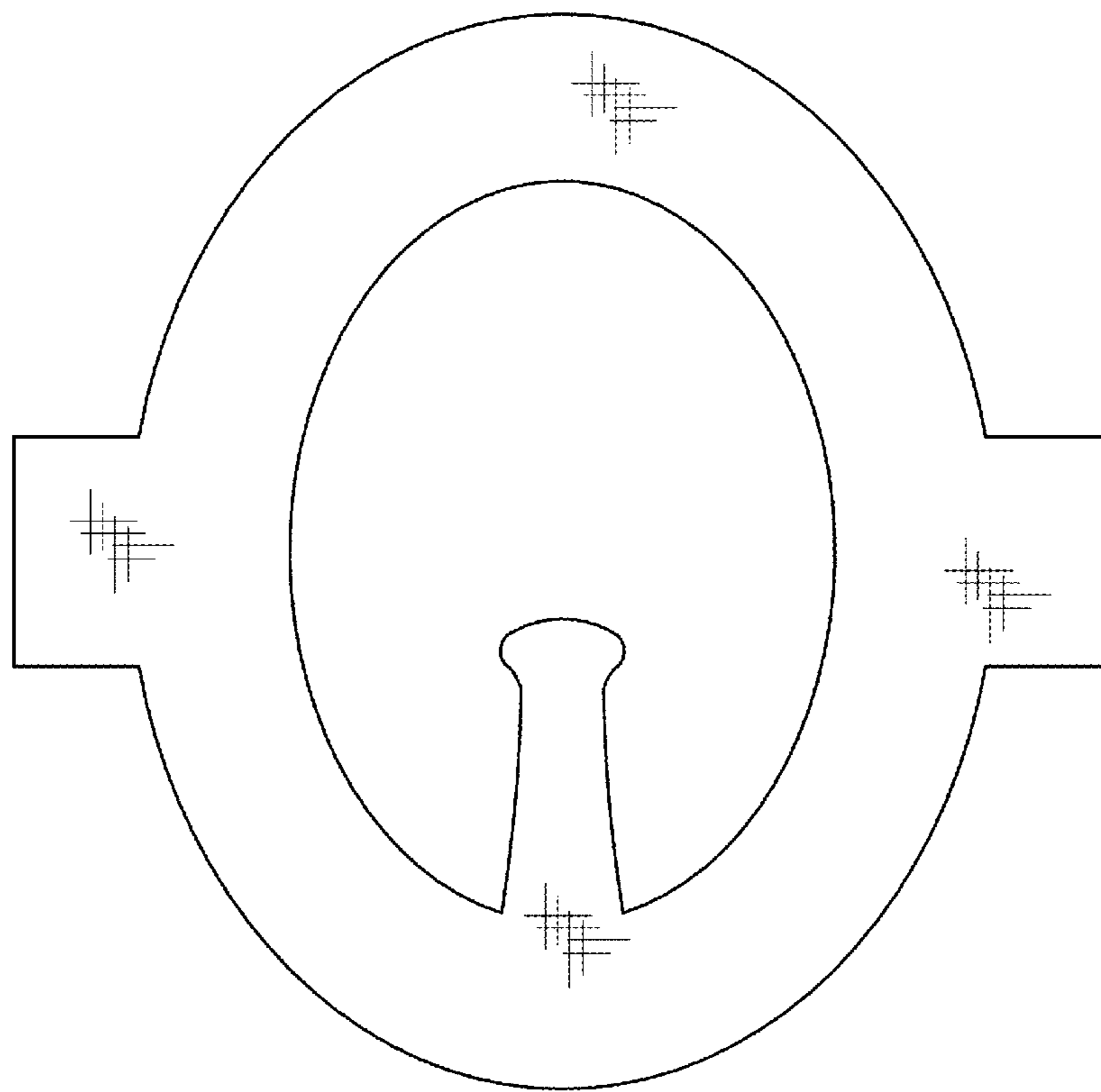
The broken lines are for illustrative purposes only and form no part of the claimed design.

(56) **References Cited**

**U.S. PATENT DOCUMENTS**

1,223,208 A \* 4/1917 Sharp ..... A47K 13/16  
4/245.3  
1,776,333 A \* 9/1930 Oates ..... A47K 13/16  
4/244.2  
1,924,513 A 8/1933 Rea et al.

**1 Claim, 4 Drawing Sheets**



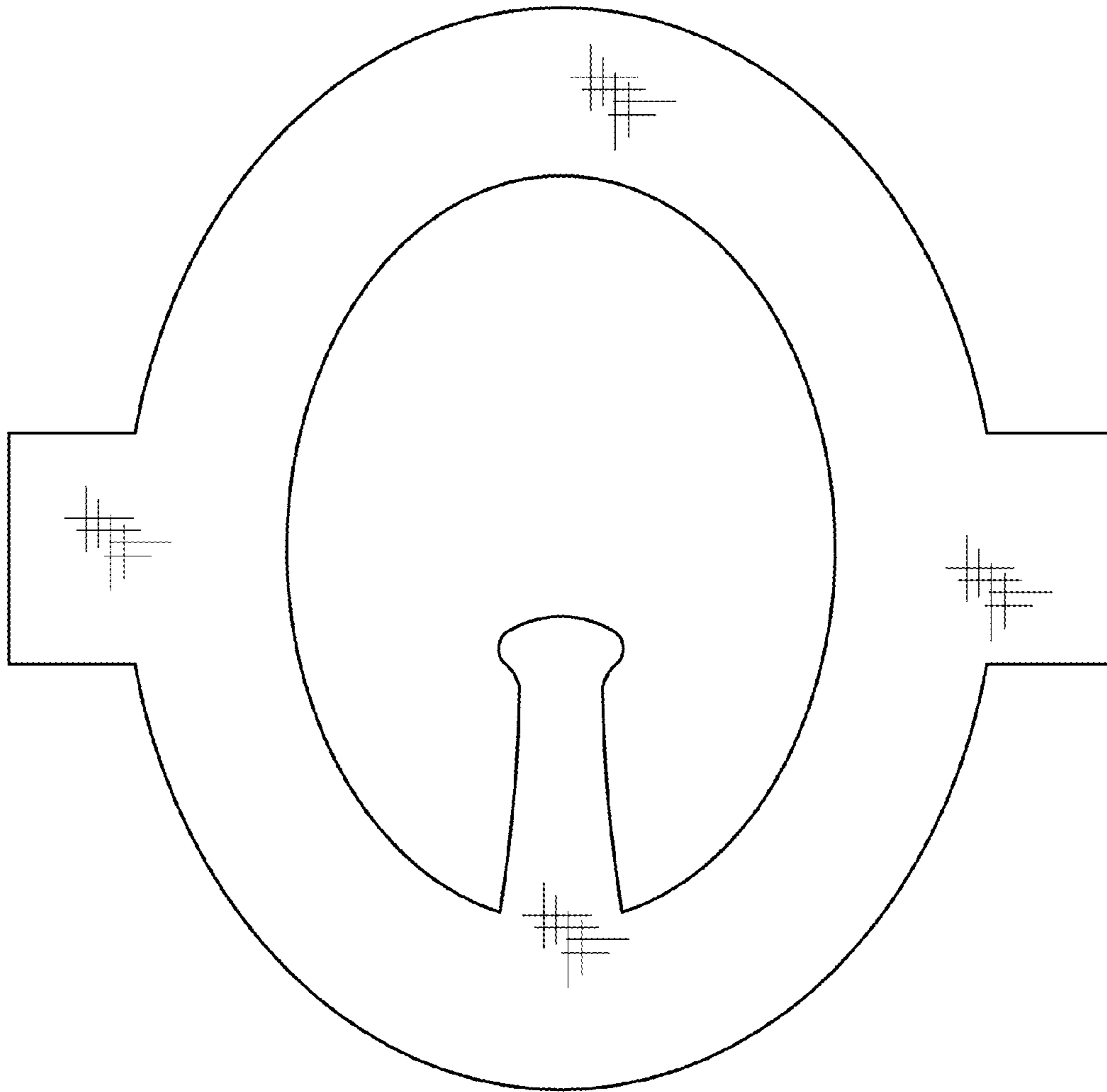


FIG. 1



FIG. 2

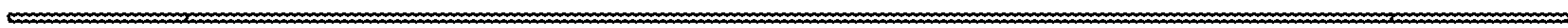


FIG. 3

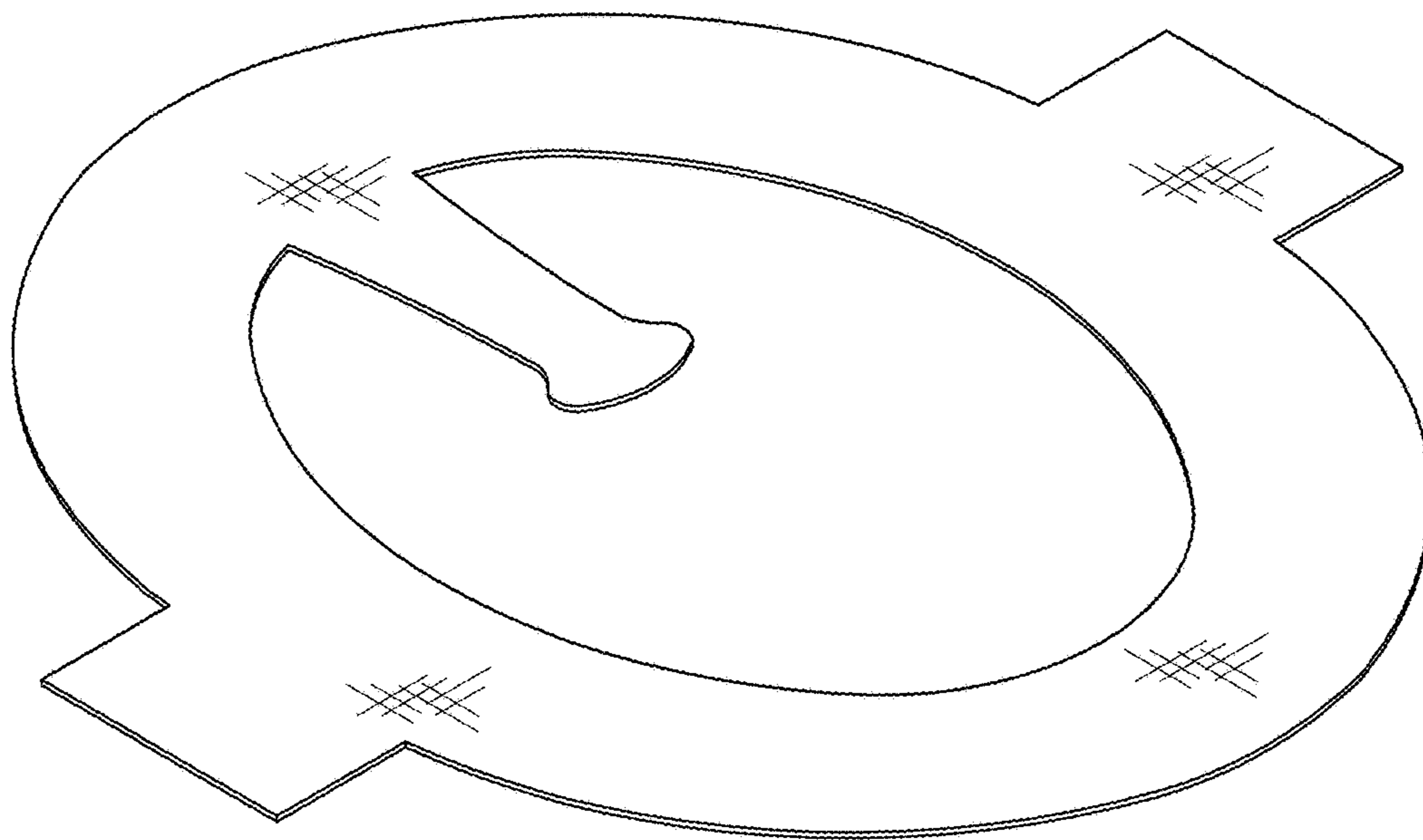


FIG. 4

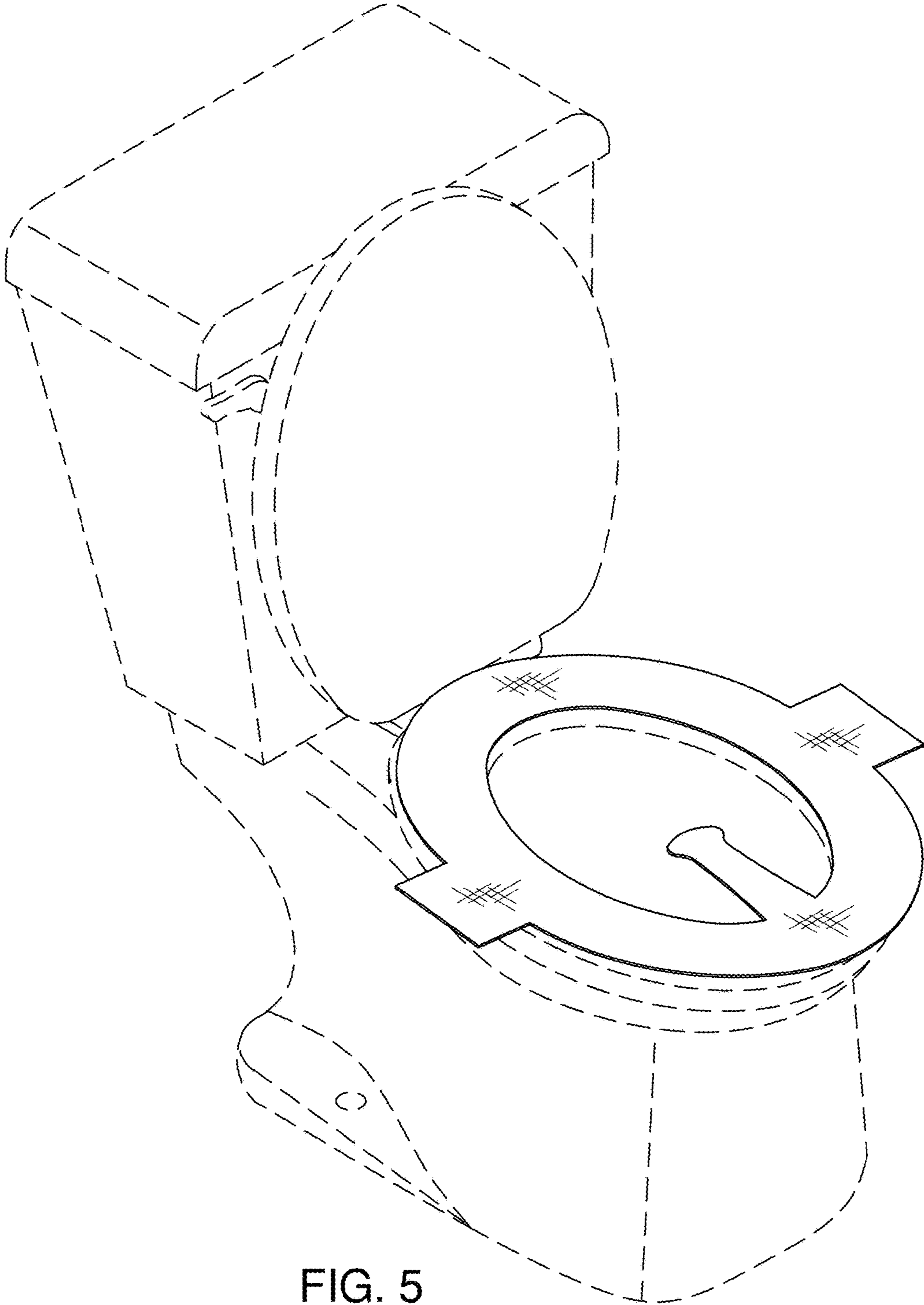


FIG. 5