



US00D781402S

(12) **United States Design Patent**  
**Yan**

(10) **Patent No.:** **US D781,402 S**

(45) **Date of Patent:** **\*\* Mar. 14, 2017**

(54) **DRAINPIPE STRUCTURE**

(71) Applicant: **Jin-Jung Yan**, Taichung (TW)

(72) Inventor: **Jin-Jung Yan**, Taichung (TW)

(\*\*) Term: **15 Years**

(21) Appl. No.: **29/530,002**

(22) Filed: **Jun. 11, 2015**

(51) **LOC (10) Cl.** ..... **23-01**

(52) **U.S. Cl.**  
USPC ..... **D23/266**

(58) **Field of Classification Search**  
USPC ..... D23/259, 261–262, 266, 268–269;  
D8/382, 387; D24/129  
CPC ..... F16L 37/252; F16L 41/007; E03D 11/16;  
E03C 1/26; E03C 1/28; E03C 1/262  
See application file for complete search history.

(56) **References Cited**

**U.S. PATENT DOCUMENTS**

D34,101 S	*	2/1901	Griffiths	.....	D23/262
D273,413 S	*	4/1984	McMurray	.....	4/252.4
D402,013 S	*	12/1998	Saffrey	.....	D23/263
D421,102 S	*	2/2000	Barnett	.....	D23/261
D441,848 S	*	5/2001	Huang	.....	D23/261
D552,719 S	*	10/2007	Petner	.....	D23/261
D602,575 S	*	10/2009	Breda	.....	D23/261
D645,945 S	*	9/2011	Lee	.....	D23/266

D657,848 S	*	4/2012	Howson	.....	D23/261
D717,405 S	*	11/2014	Coronado	.....	D23/259
D748,760 S	*	2/2016	Lohmann	.....	D23/259
D749,705 S	*	2/2016	Krombein	.....	D23/259
2010/0123307 A1	*	5/2010	Coronado	.....	E03D 11/16 285/56

\* cited by examiner

*Primary Examiner* — Eric Goodman  
*Assistant Examiner* — Amy Wierenga  
(74) *Attorney, Agent, or Firm* — Guice Patents PLLC

(57) **CLAIM**

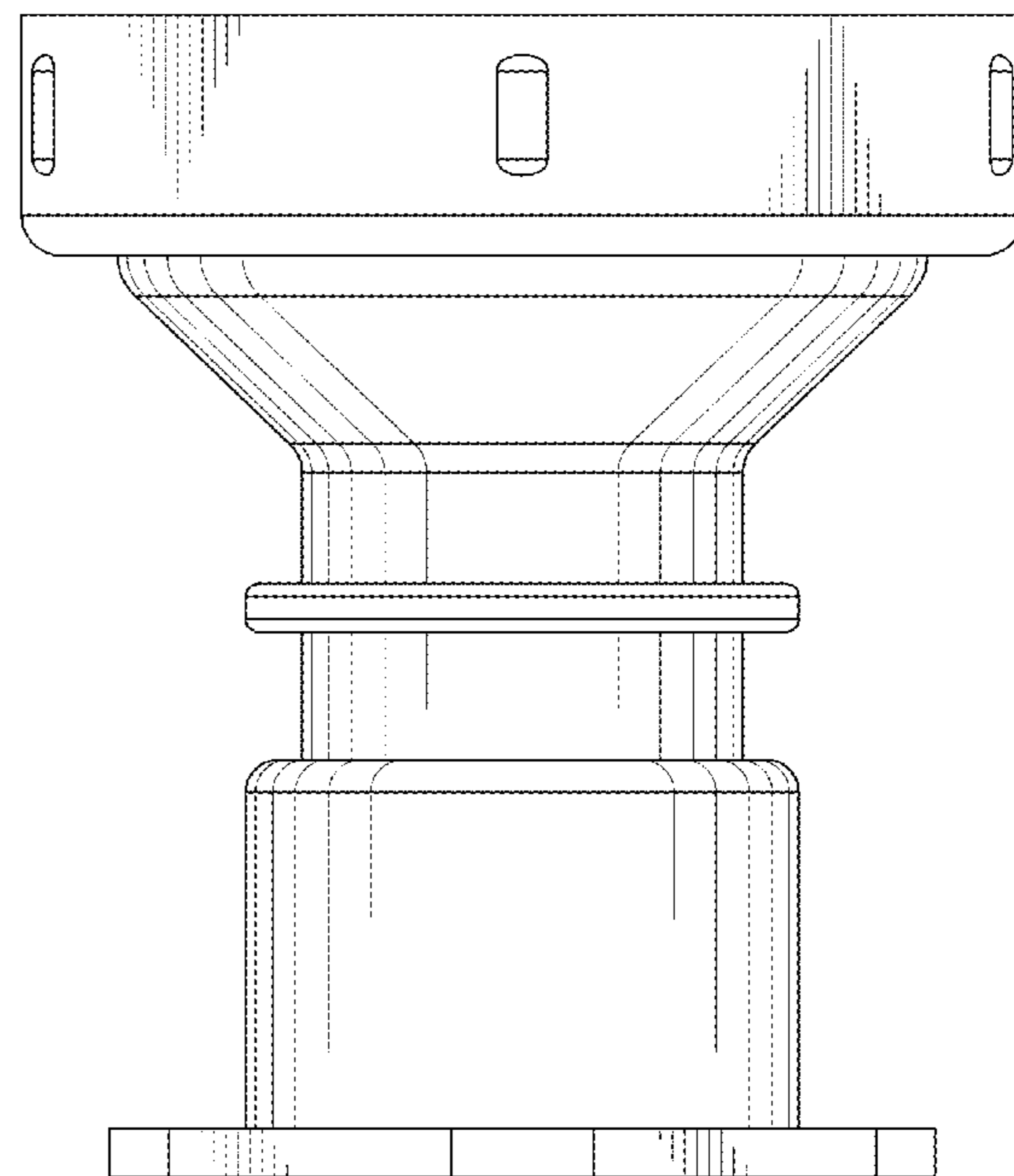
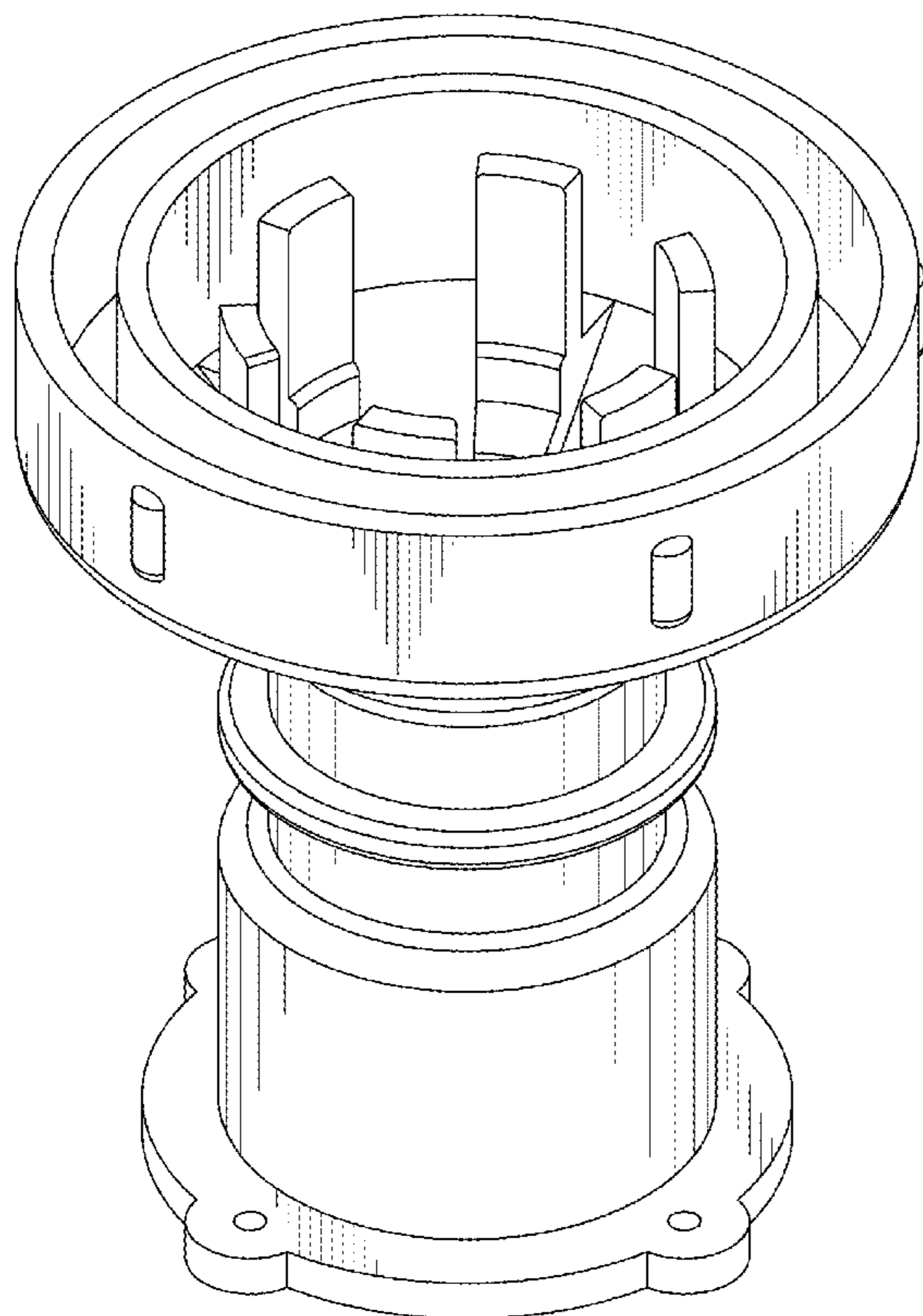
The ornamental design for a drainpipe structure, as shown and described.

**DESCRIPTION**

FIG. 1 is a perspective view of a drainpipe structure showing my new design;  
FIG. 2 is a front elevational view thereof;  
FIG. 3 is a rear elevational view thereof;  
FIG. 4 is a left side view thereof;  
FIG. 5 is a right side view thereof;  
FIG. 6 is a top plan view thereof;  
FIG. 7 is a bottom plan view thereof; and,  
FIG. 8 is a cross-sectional view taken from lines 8-8 in FIG. 6.

The ornamental design which is claimed is shown in solid lines in the drawings. The drainpipe structure comprises a base and a stem and they together form a trophy shape for the said design.

**1 Claim, 8 Drawing Sheets**



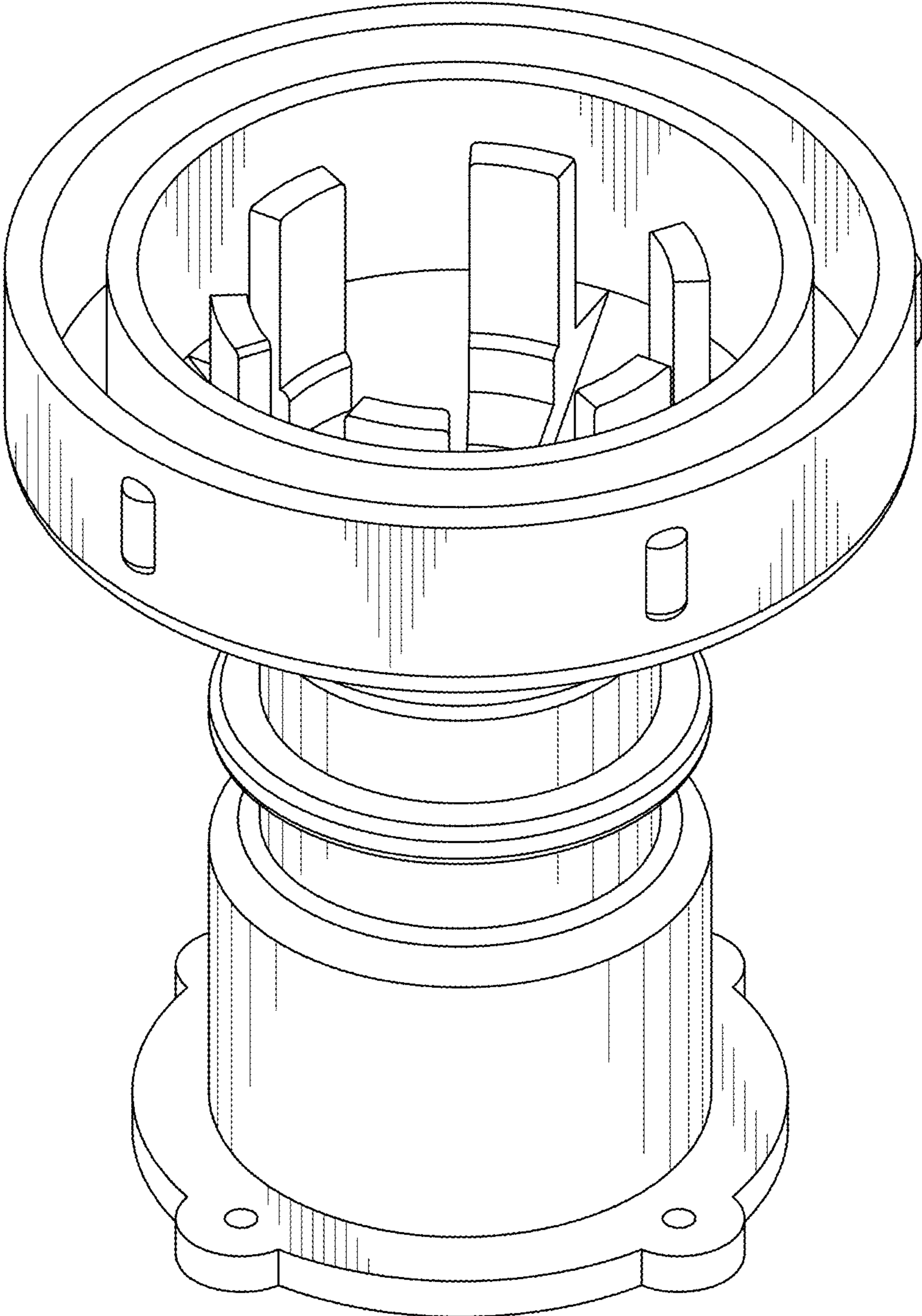


FIG.1

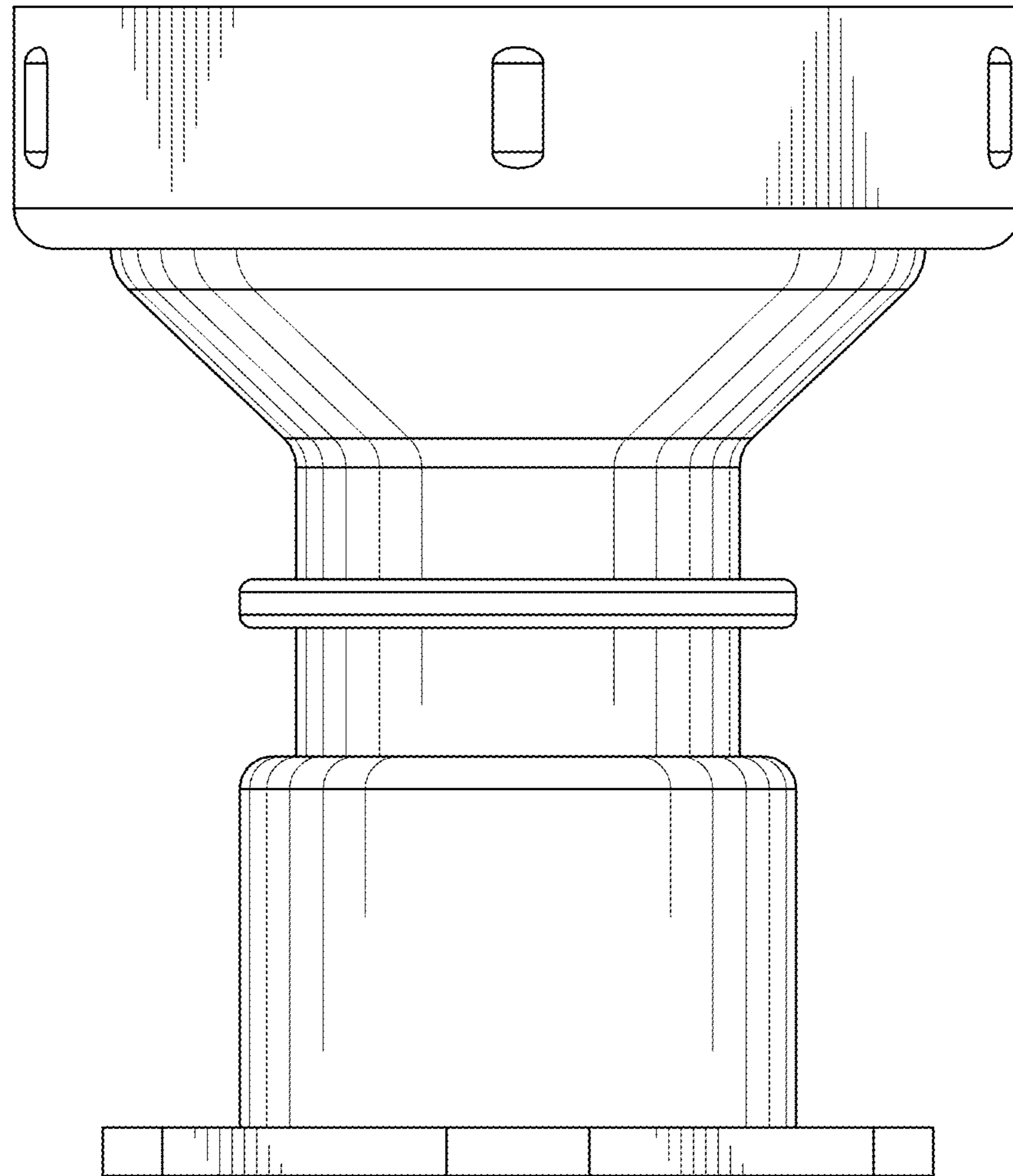


FIG.2

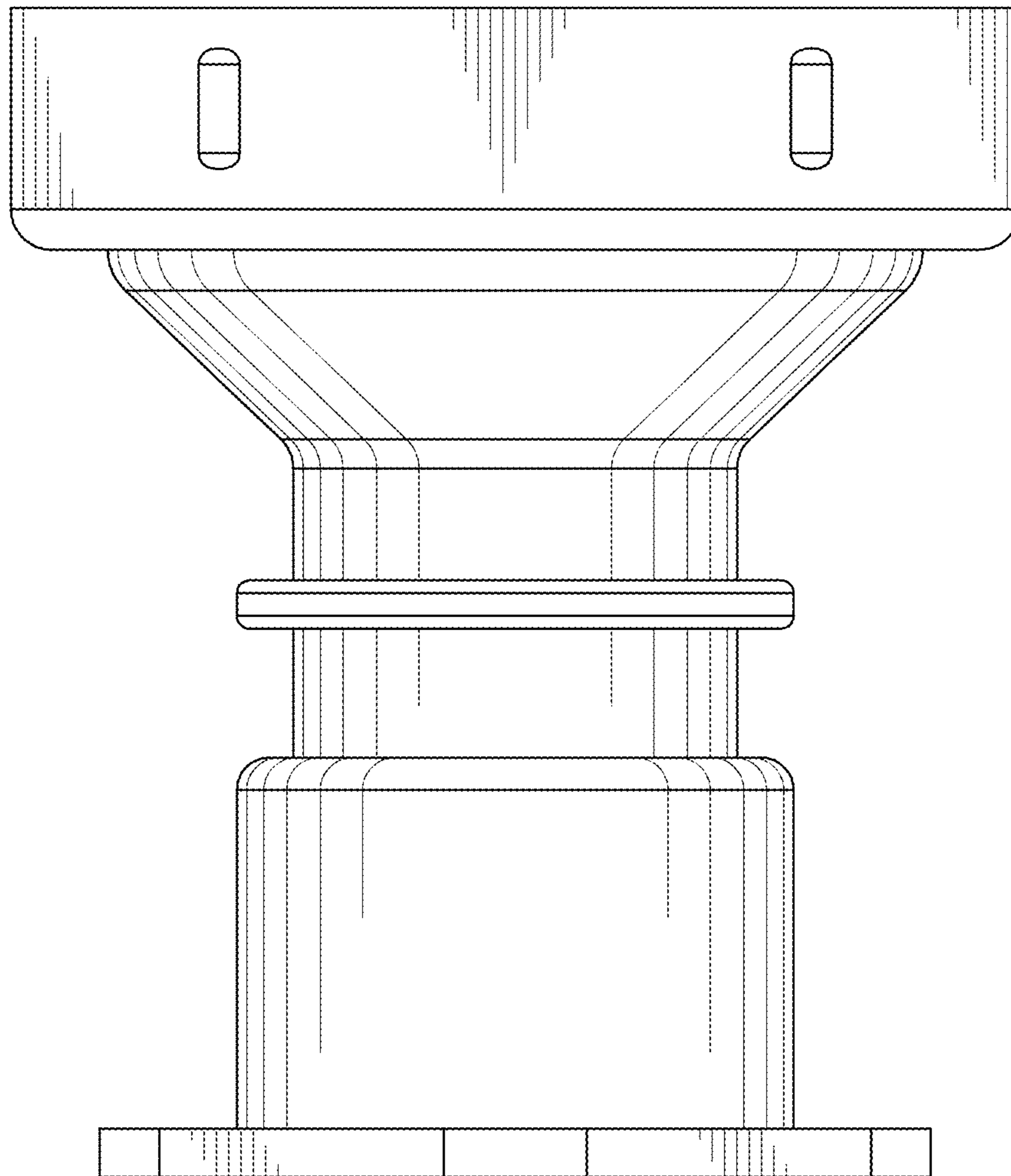


FIG.3

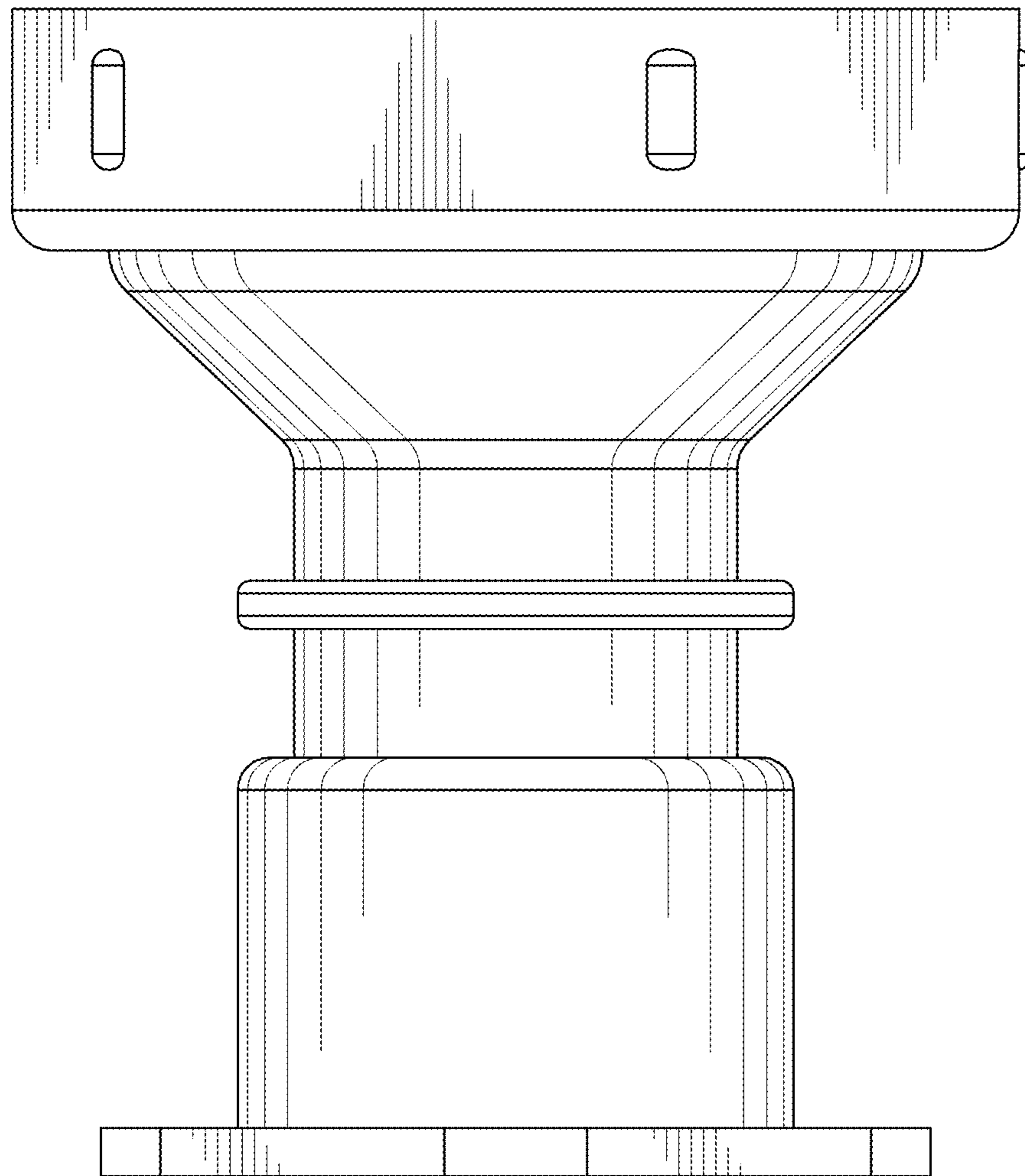


FIG.4

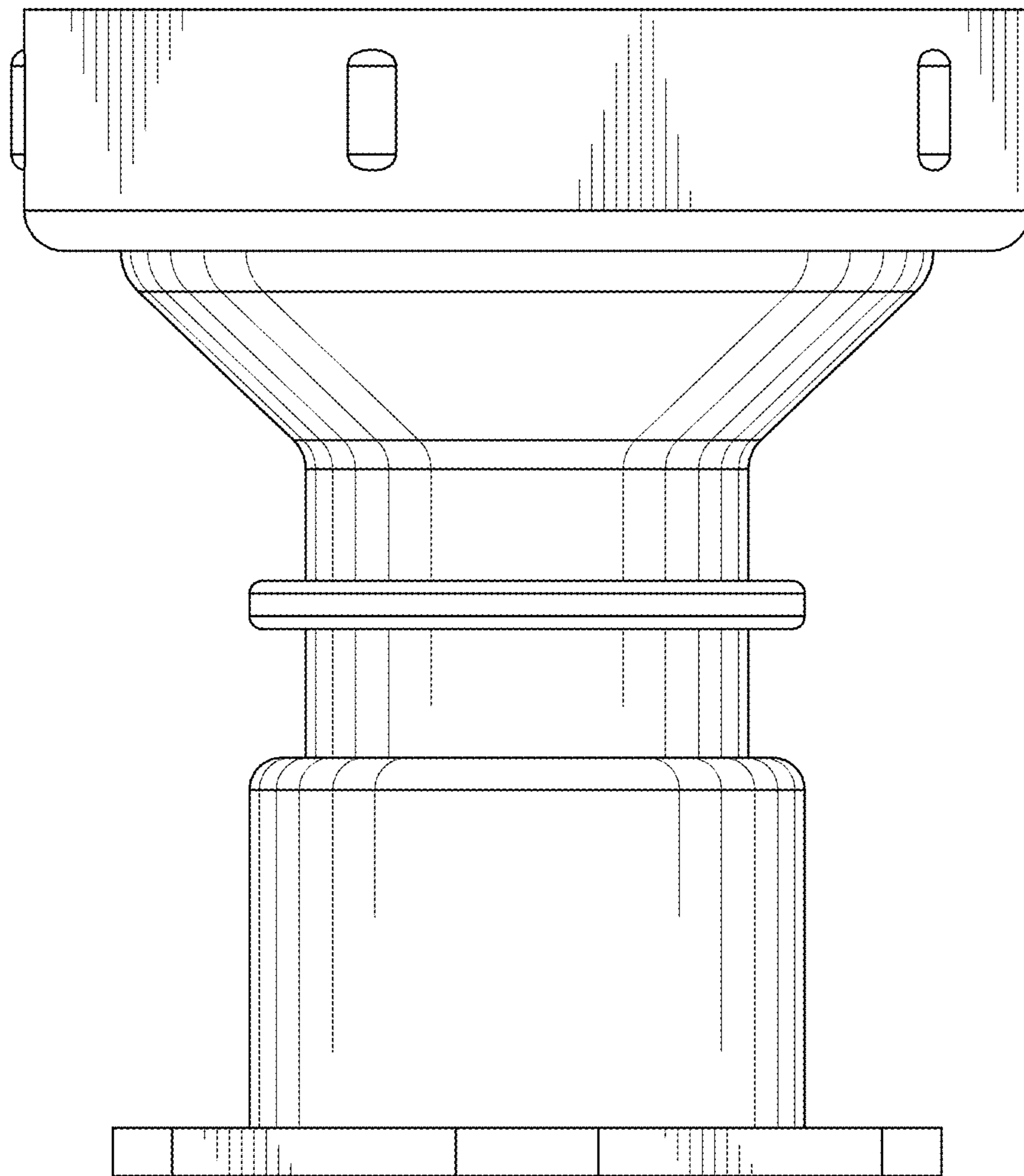


FIG. 5

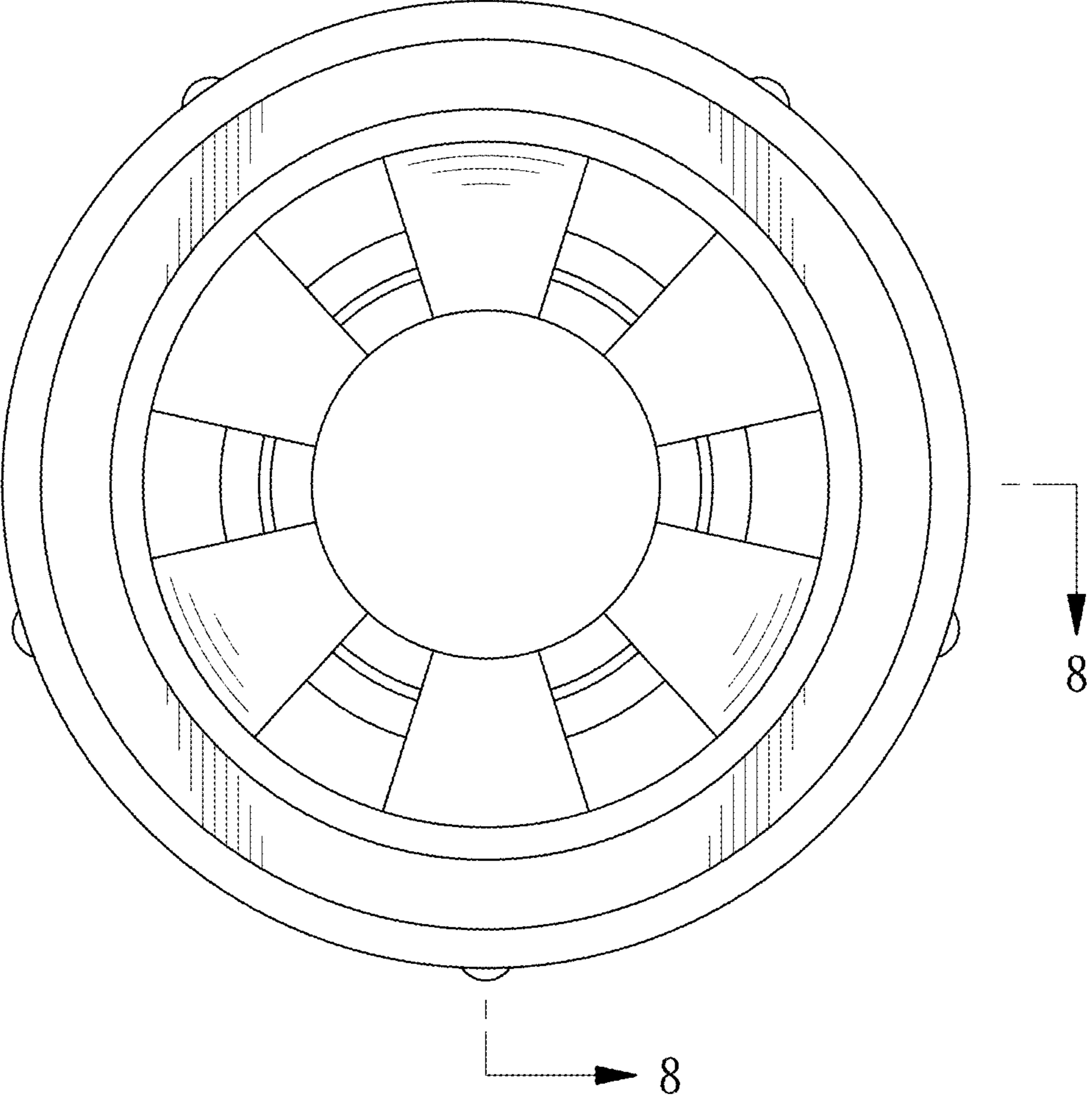


FIG.6

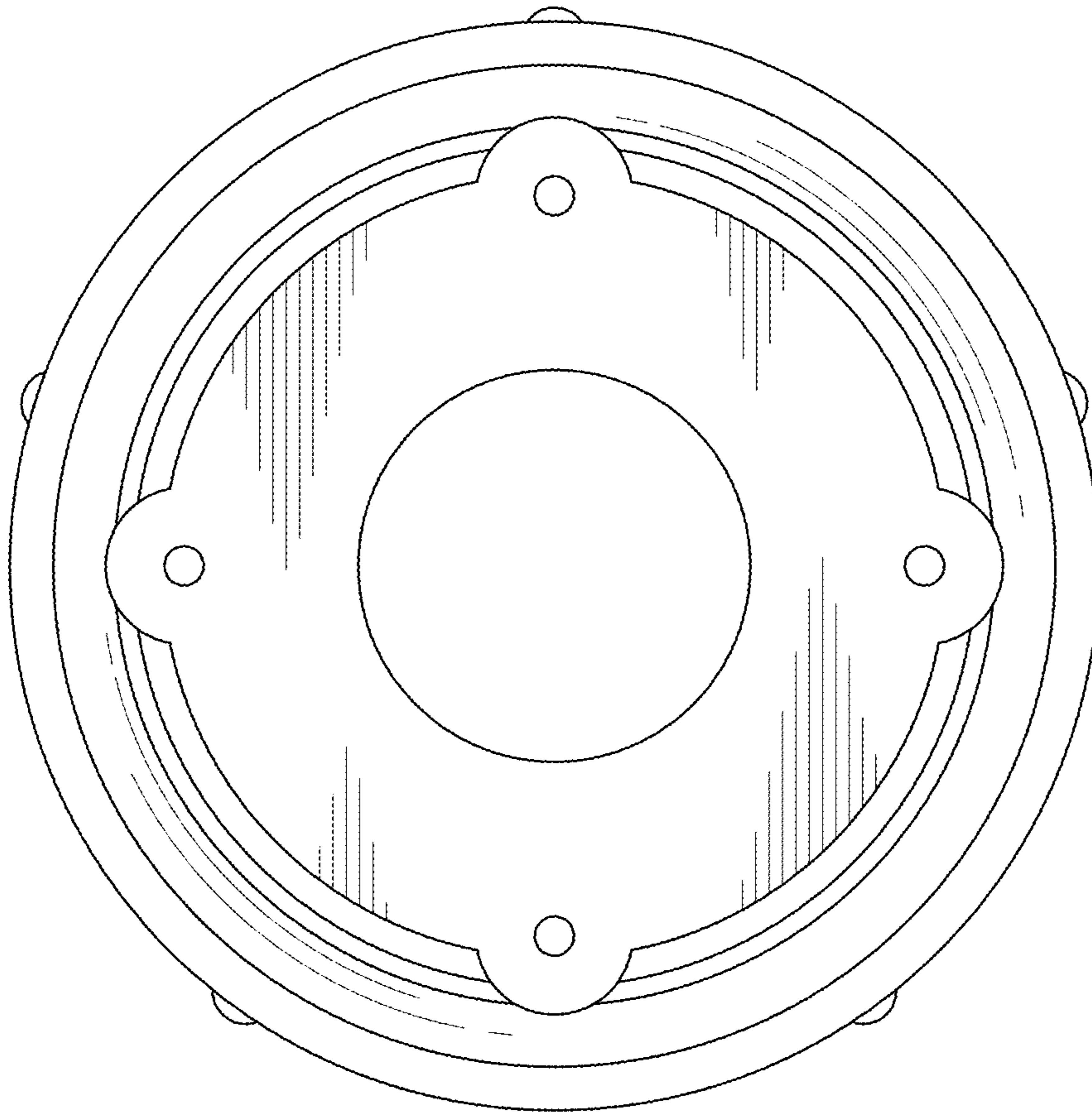


FIG.7



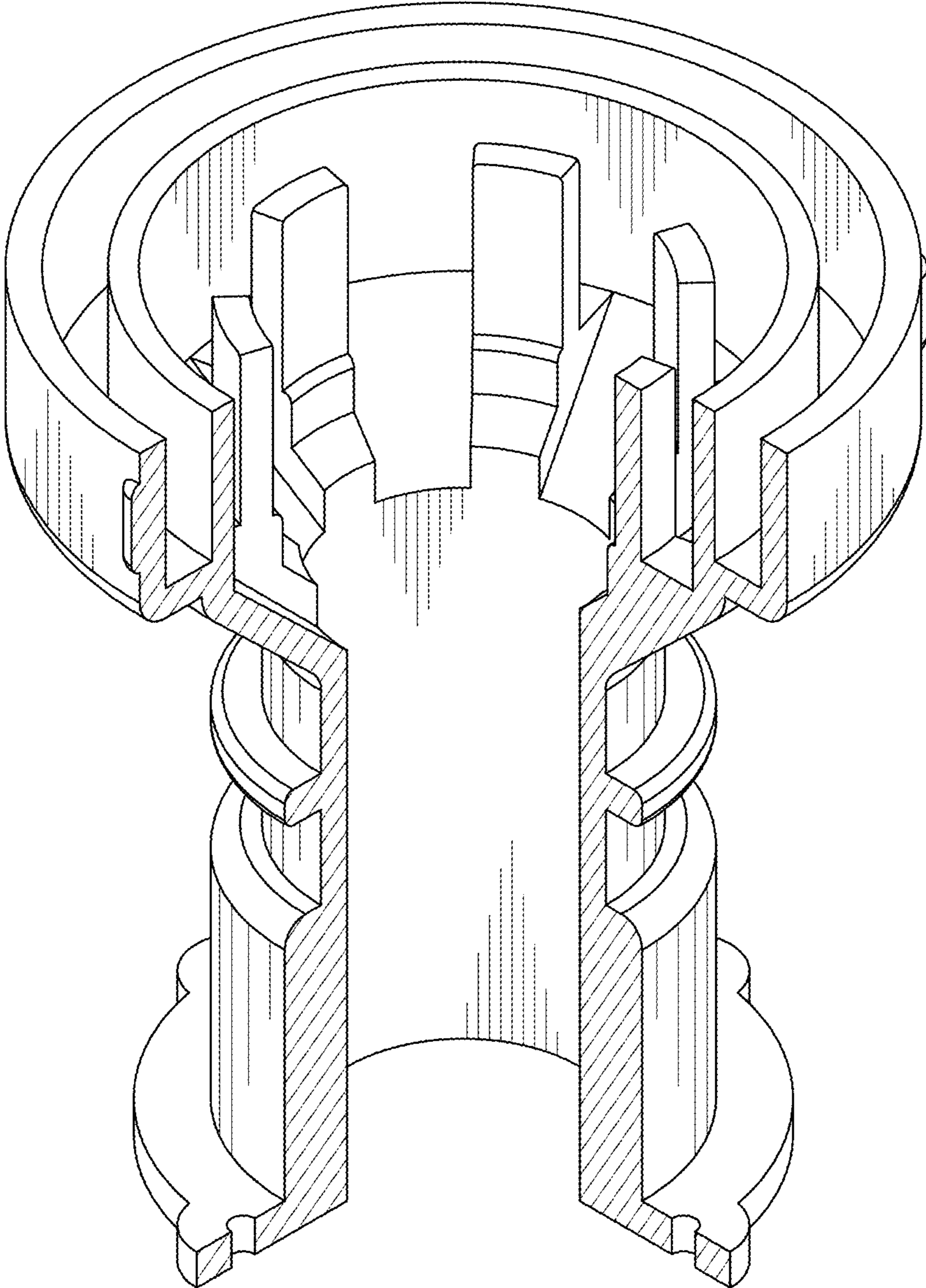


FIG.8