



US00D781401S

(12) **United States Design Patent**
Yan

(10) **Patent No.:** **US D781,401 S**

(45) **Date of Patent:** **** Mar. 14, 2017**

(54) **ROOF DRAIN**

(71) Applicant: **Jin-Jung Yan**, Taichung (TW)

(72) Inventor: **Jin-Jung Yan**, Taichung (TW)

(**) Term: **15 Years**

(21) Appl. No.: **29/530,001**

(22) Filed: **Jun. 11, 2015**

(51) **LOC (10) Cl.** **23-01**

(52) **U.S. Cl.**
USPC **D23/261**

(58) **Field of Classification Search**
USPC D23/259, 261, 266, 268-269
CPC F16L 23/00; F16L 27/00; E04D 13/076;
E04D 13/0409; E03F 5/0404; E04B
1/7076
See application file for complete search history.

D578,619 S * 10/2008 Rattenbury D23/261
D606,174 S * 12/2009 Martin D23/261
D612,914 S * 3/2010 Morad D23/261
D702,327 S * 4/2014 Dannrup D23/261
8,834,714 B2 * 9/2014 Chien E03F 1/00
210/163
2011/0030284 A1 * 2/2011 May E04D 13/0409
52/12
2016/0230393 A1 * 8/2016 Huber E04D 13/0409

* cited by examiner

Primary Examiner — Eric Goodman

Assistant Examiner — Amy Wierenga

(74) *Attorney, Agent, or Firm* — Guice Patents PLLC

(57) **CLAIM**

The ornamental design for a roof drain, as shown and described.

(56) **References Cited**

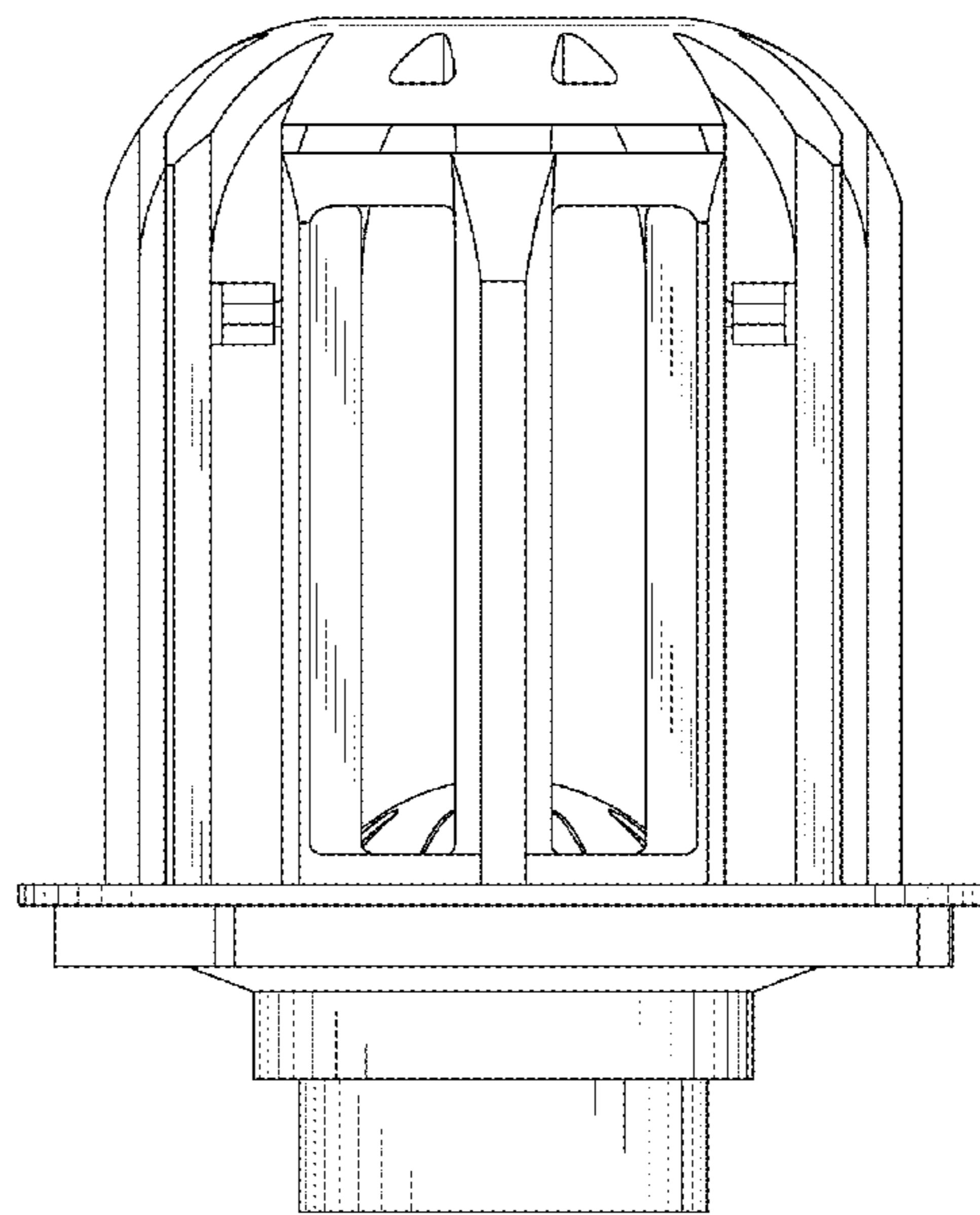
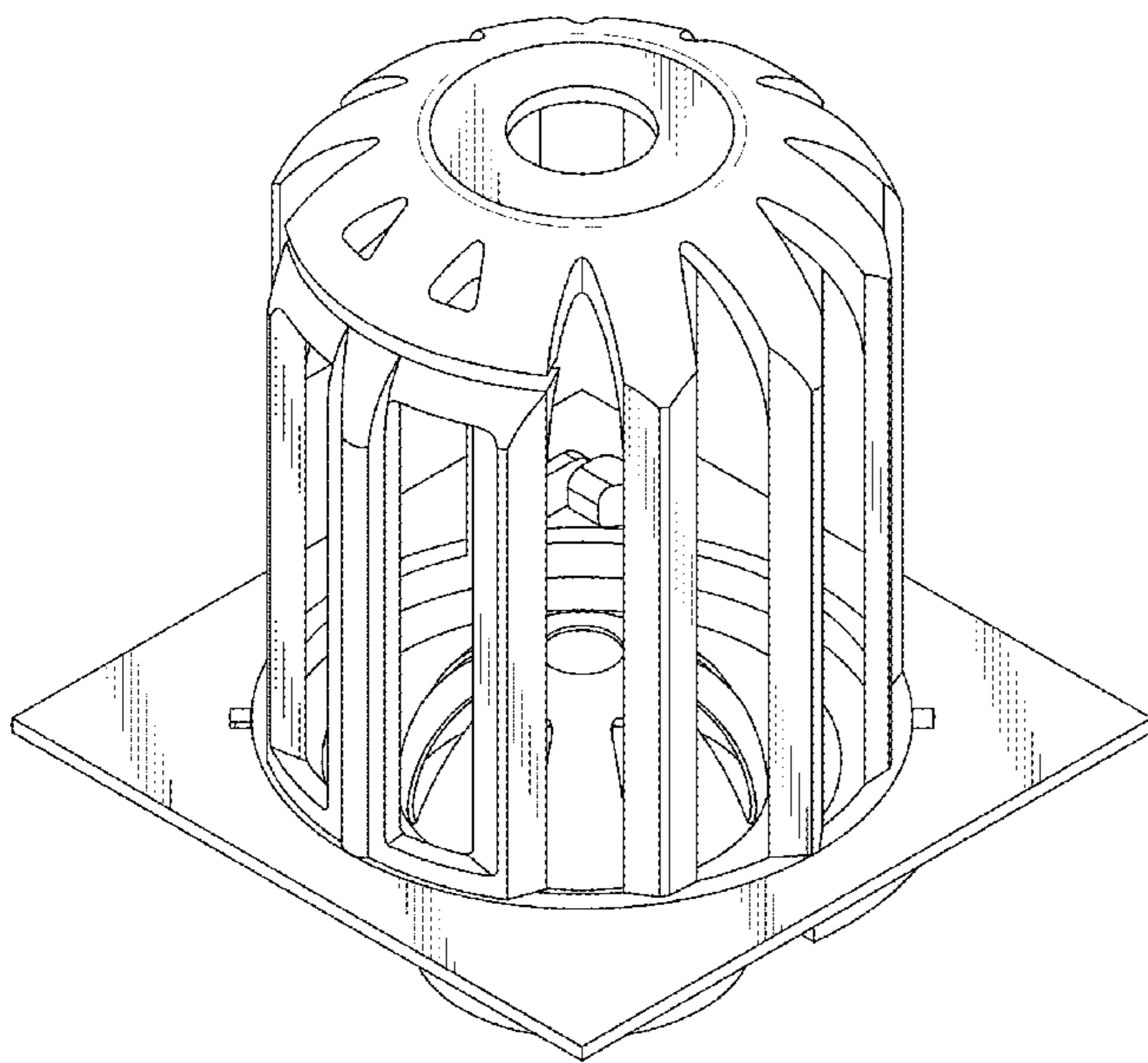
U.S. PATENT DOCUMENTS

1,791,512 A * 2/1931 Schurman E04D 13/0409
210/163
2,377,373 A * 6/1945 Robertson E04D 13/04
210/463
2,837,212 A * 6/1958 Schmid E04D 13/0409
210/165
3,357,561 A * 12/1967 Schmid E04D 13/0409
210/137
D460,810 S * 7/2002 Sommerhein D23/261
6,416,674 B1 * 7/2002 Singleton E03F 5/105
210/163
D576,257 S * 9/2008 Rattenbury D23/260

DESCRIPTION

FIG. 1 is a perspective view of a roof drain showing my new design;
FIG. 2 is a front elevational view thereof;
FIG. 3 is a rear elevational view thereof;
FIG. 4 is a left side view thereof;
FIG. 5 is a right side view thereof;
FIG. 6 is a top plan view thereof; and
FIG. 7 is a bottom plan view thereof; and,
FIG. 8 is a perspective view showing a roof drain from another position.

1 Claim, 8 Drawing Sheets



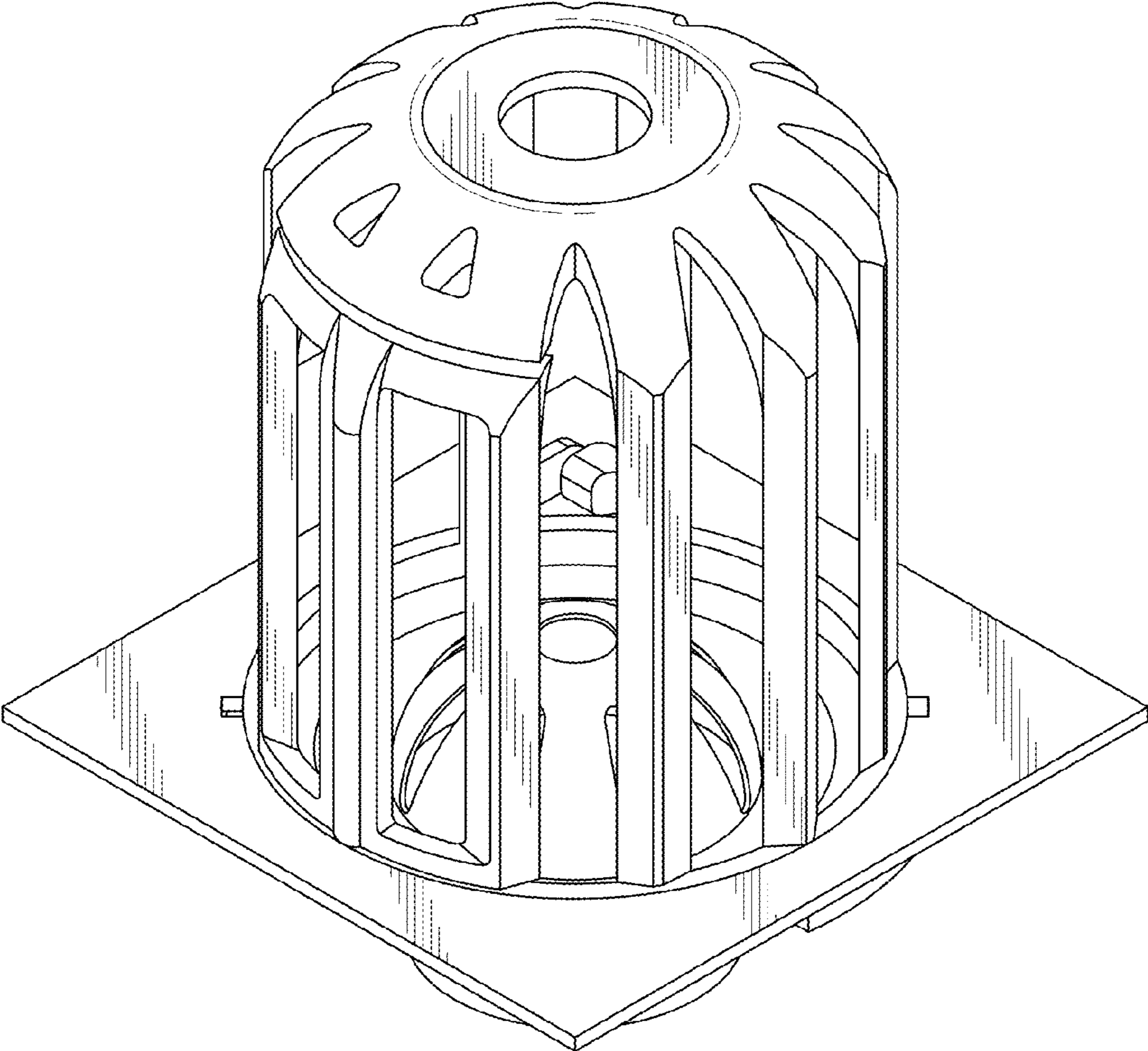


FIG.1

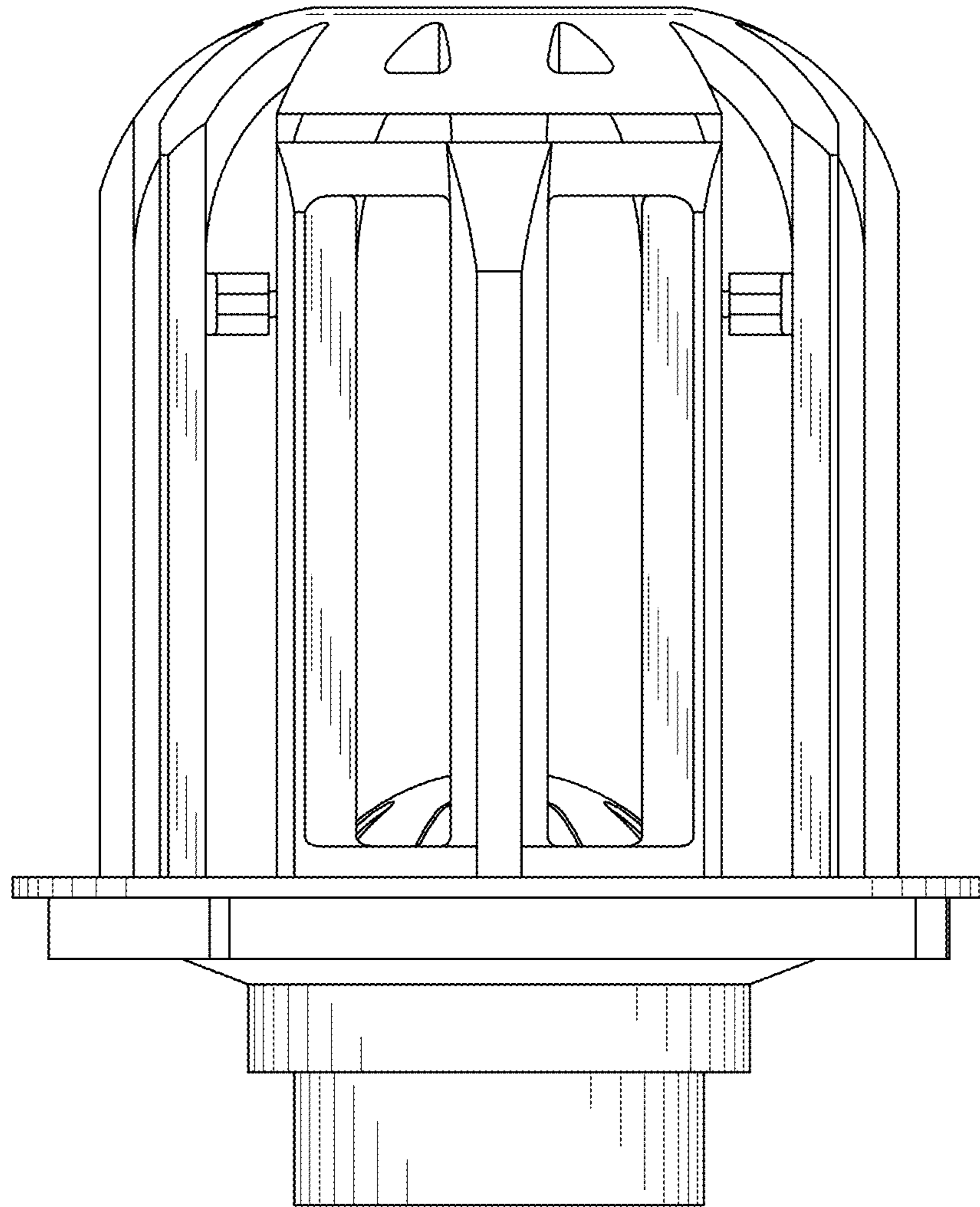


FIG.2

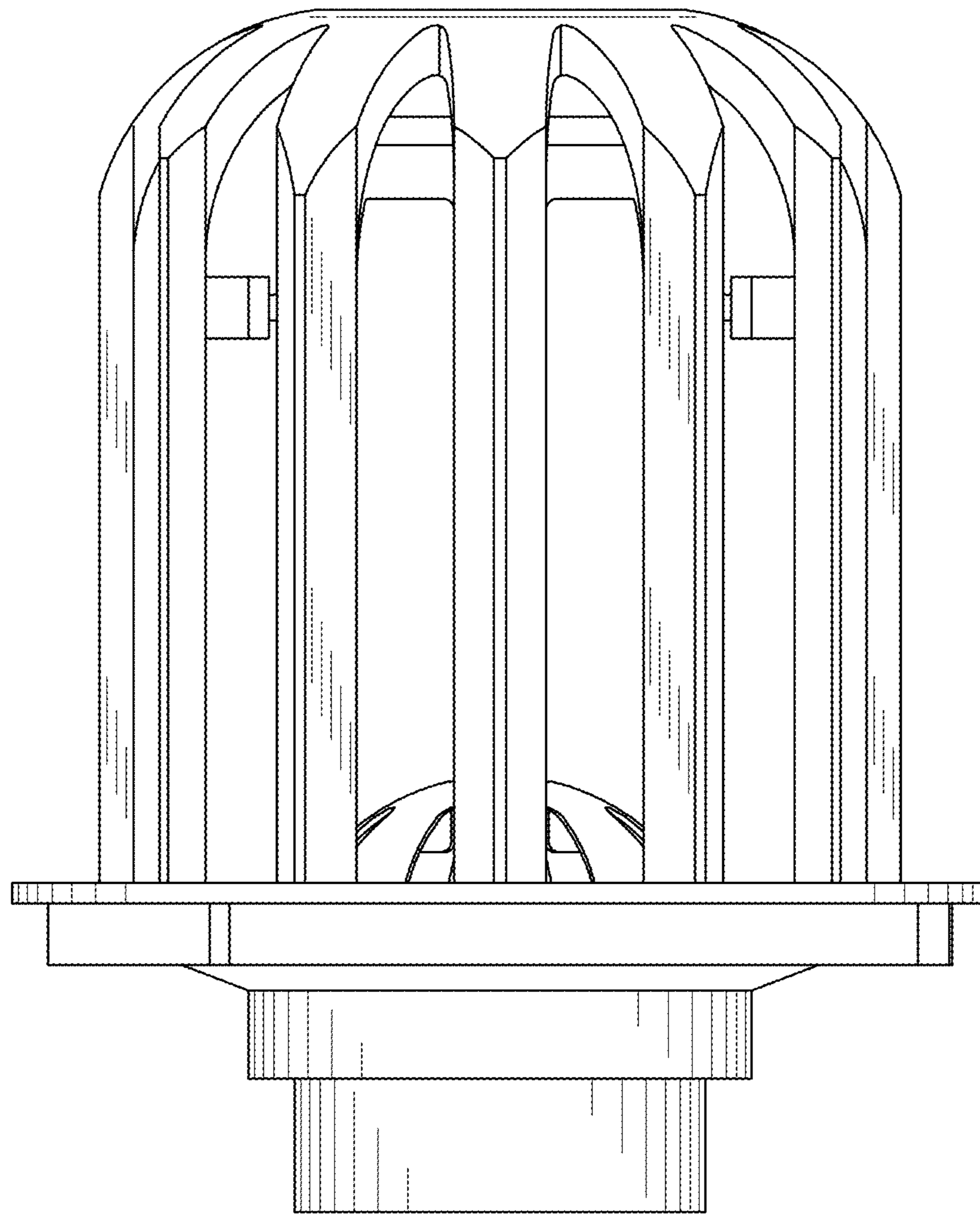


FIG.3

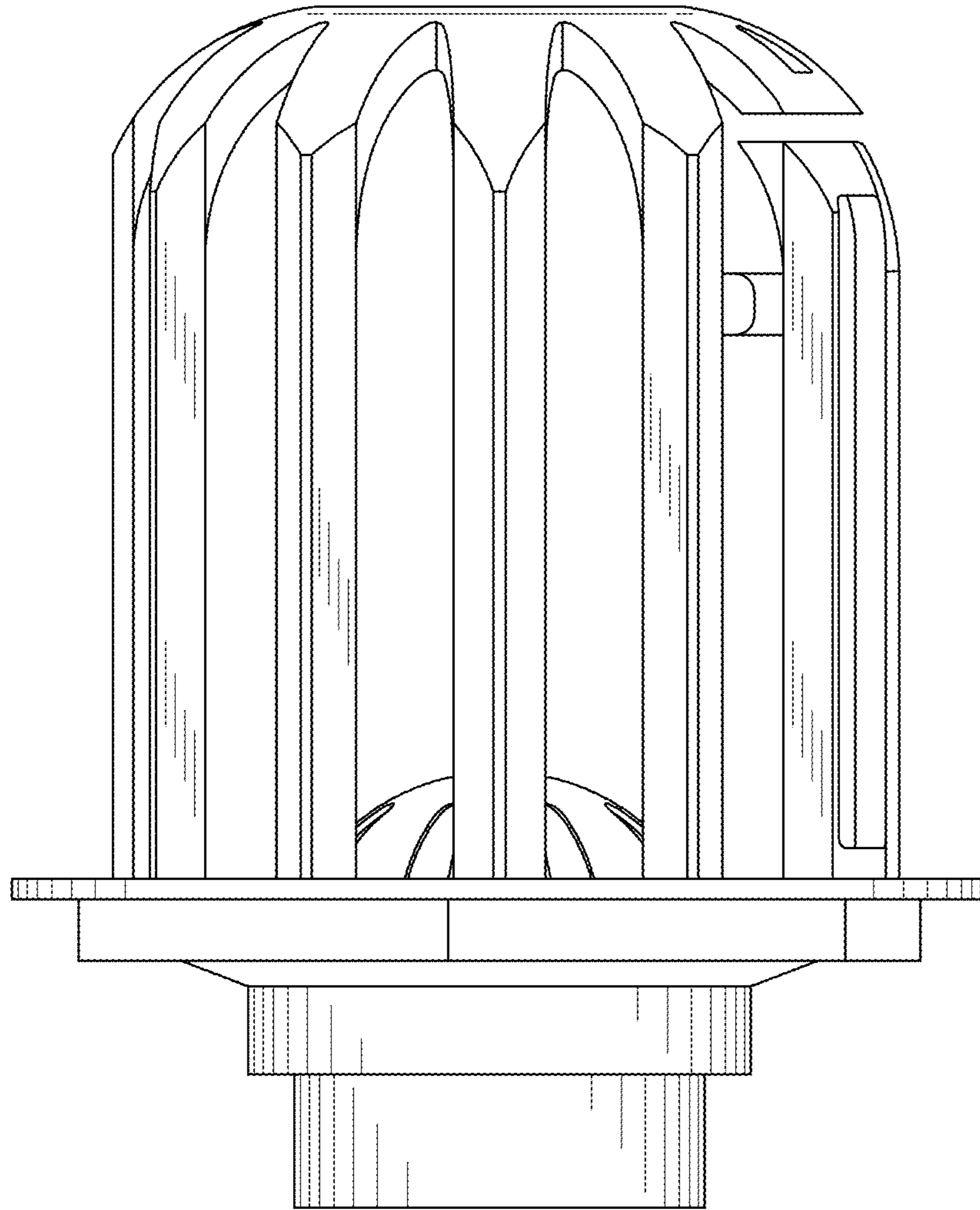


FIG.4

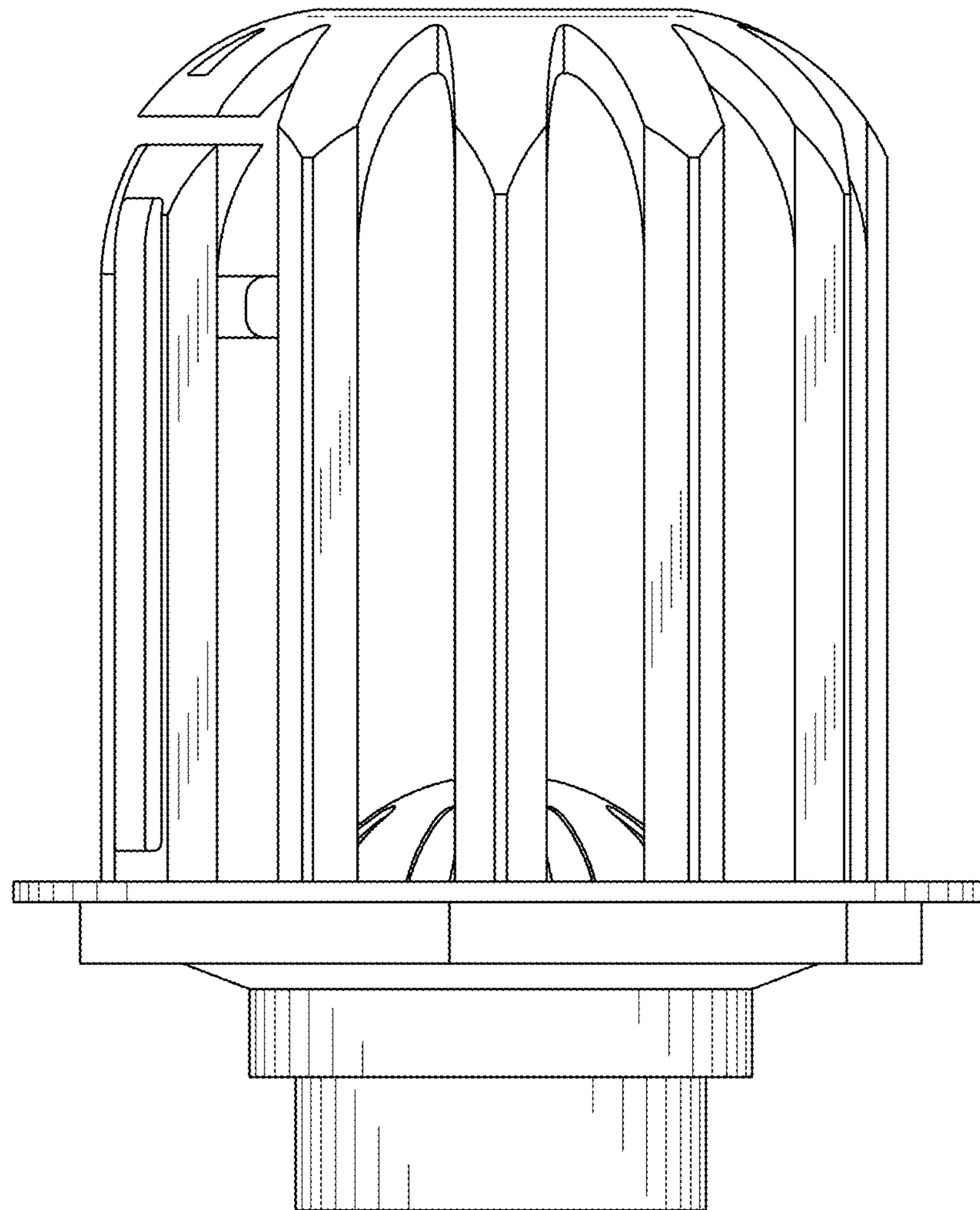


FIG.5

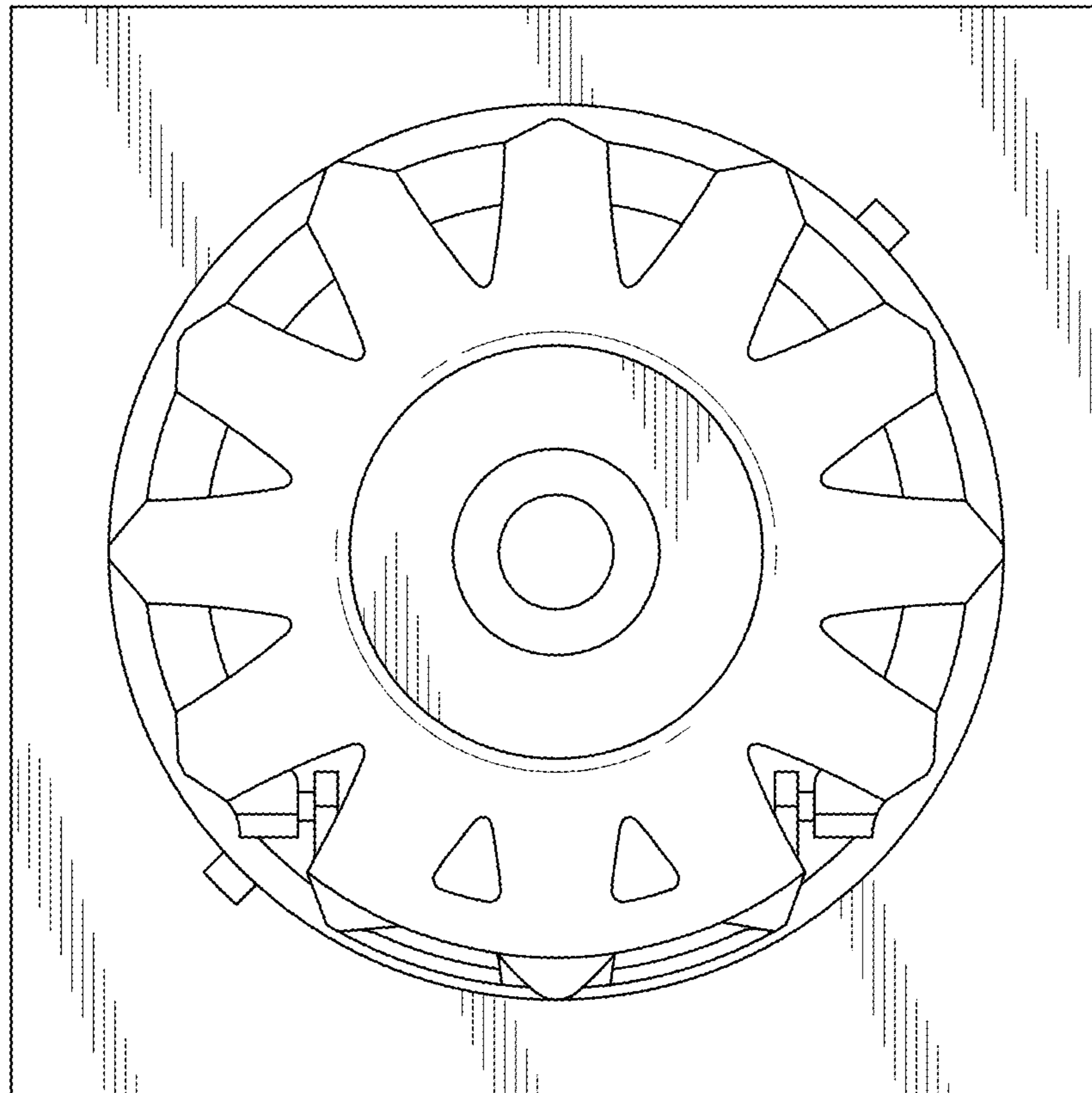


FIG.6

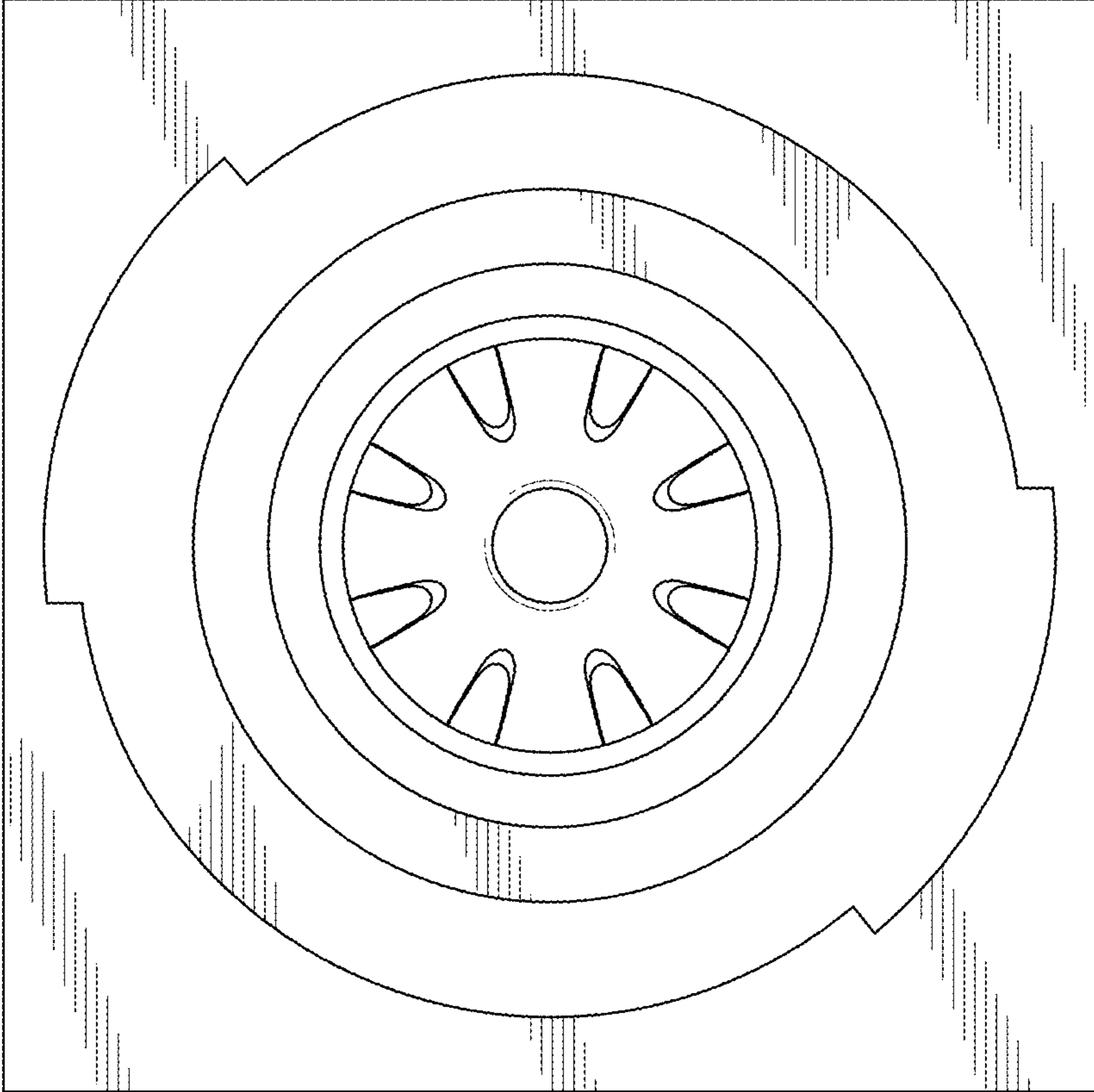


FIG.7

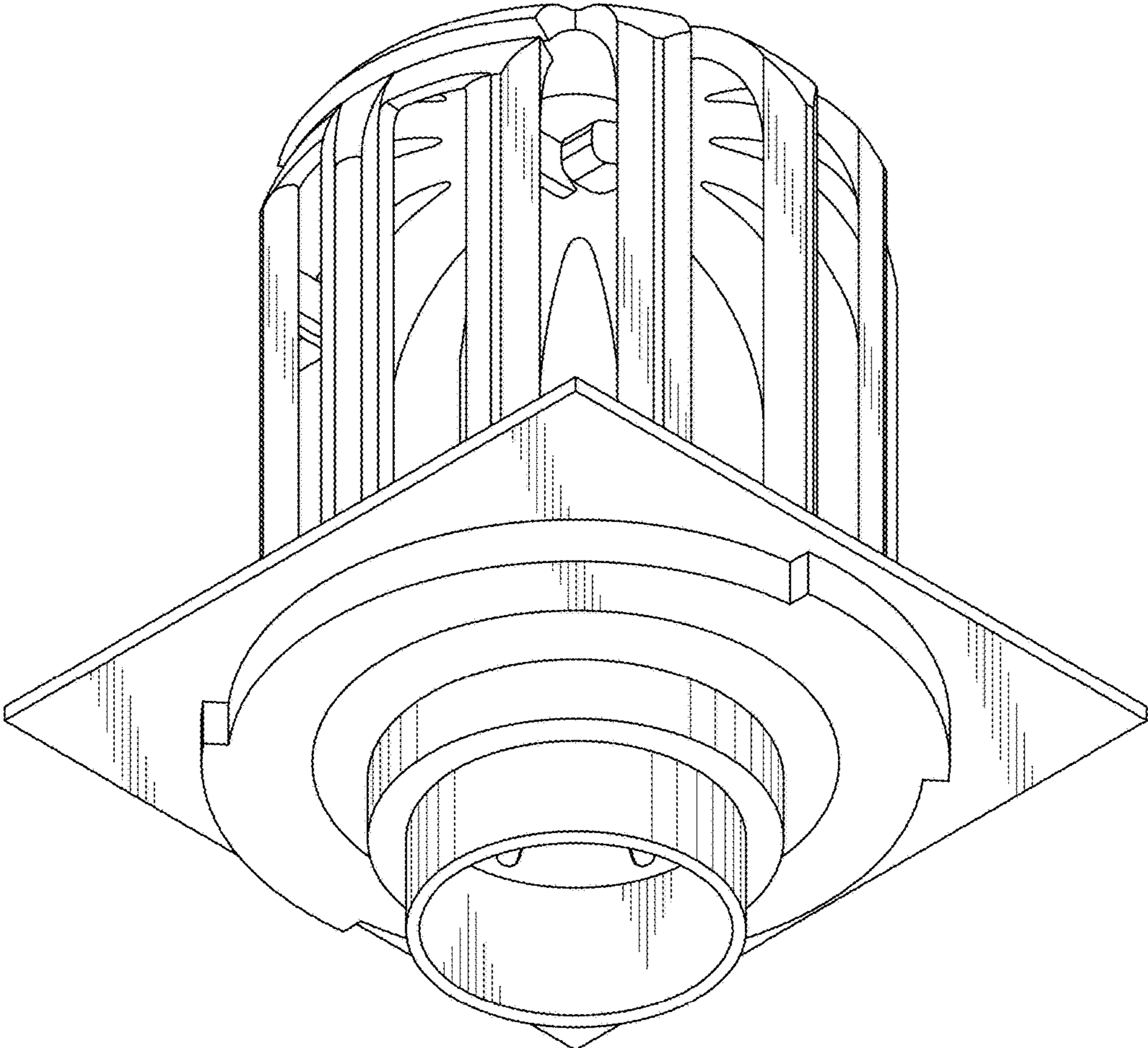


FIG.8