



US00D781400S

(12) **United States Design Patent** (10) **Patent No.:** **US D781,400 S**
Montoya et al. (45) **Date of Patent:** **** Mar. 14, 2017**

(54) **DRAIN PLUG** 3,944,104 A * 3/1976 Watson B65D 51/1688
215/307

(71) Applicants: **Steven J. Montoya**, Lake Arrowhead, CA (US); **Valorie L. Montoya**, Lake Arrowhead, CA (US) 4,964,438 A 10/1990 Welty
D326,408 S * 5/1992 Smith D8/499
6,345,684 B1 2/2002 Leight
6,732,385 B1 5/2004 Henderson et al.
D492,581 S * 7/2004 Fahy D8/378
D528,192 S * 9/2006 Nicholson D23/260
D553,717 S * 10/2007 Nicholson D23/260
D568,450 S * 5/2008 King, Jr. D23/261
D568,551 S * 5/2008 Singer D30/158
7,490,629 B2 2/2009 Williams et al.
D591,405 S * 4/2009 Pogrebinsky D23/260
D617,427 S * 6/2010 McNamara D23/261
D627,039 S * 11/2010 Yu D23/260
D652,782 S * 1/2012 Sato D12/400
D672,213 S * 12/2012 Abrams D7/675
8,413,689 B1 4/2013 Taylor
D708,945 S * 7/2014 Jetmar D9/439

(72) Inventors: **Steven J. Montoya**, Lake Arrowhead, CA (US); **Valorie L. Montoya**, Lake Arrowhead, CA (US)

(**) Term: **15 Years**

(21) Appl. No.: **29/534,893**

(22) Filed: **Jul. 31, 2015**

(51) **LOC (10) Cl.** **23-01**

(52) **U.S. Cl.**
USPC **D23/260**

(58) **Field of Classification Search**
USPC D23/259–262, 266, 268; D9/439, 441;
D6/550, 580; D8/300, 305, 307, 321;
4/287, 295
CPC E03C 1/23; E03C 1/26; E03C 1/2302
See application file for complete search history.

(Continued)

Primary Examiner — Eric Goodman
Assistant Examiner — Amy Wierenga
(74) *Attorney, Agent, or Firm* — Loza & Loza, LLP;
David S. Sarisky

(57) **CLAIM**

The ornamental design for a drain plug, as shown and described.

(56) **References Cited**

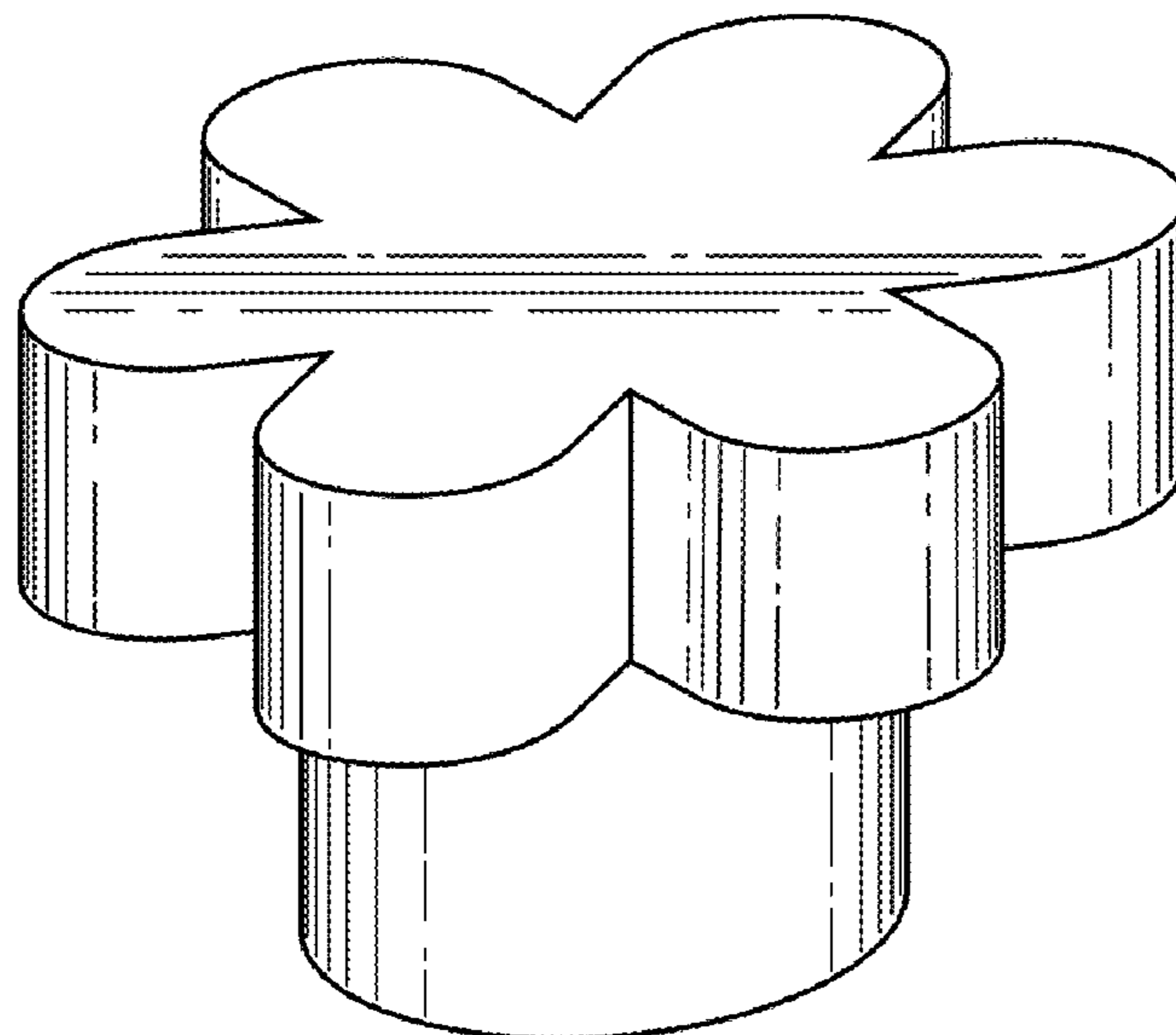
U.S. PATENT DOCUMENTS

408,321 A	8/1889	Powell	
673,762 A	5/1901	Crabb	
1,384,038 A	7/1921	Becker	
1,659,839 A	2/1928	Smith	
2,329,242 A	9/1943	Best	
2,460,768 A	2/1949	Riley	
D204,743 S *	5/1966	Rhoades	D8/305
3,342,323 A	9/1967	Cherne	
3,358,869 A	12/1967	Palmer et al.	
3,390,406 A	7/1968	Strout et al.	
3,490,083 A	1/1970	Firth	
3,574,312 A	4/1971	Miller	

DESCRIPTION

FIG. 1 is a top perspective view of a drain plug.
FIG. 2 is a bottom perspective view of a drain plug.
FIG. 3 is a top plan view of a drain plug.
FIG. 4 is a bottom plan view of a drain plug.
FIG. 5 is a side view of a drain plug.
FIG. 6 is a side view of a drain plug.
FIG. 7 is a side view of a drain plug; and,
FIG. 8 is a side view of a drain plug.

1 Claim, 4 Drawing Sheets



(56)

References Cited

U.S. PATENT DOCUMENTS

D734,108 S *	7/2015	Madden	D7/675
2003/0075205 A1	4/2003	Roberson		
2008/0011375 A1	1/2008	Sobjaki		
2011/0180542 A1	7/2011	Drollinger et al.		
2012/0192980 A1	8/2012	Williams		

* cited by examiner

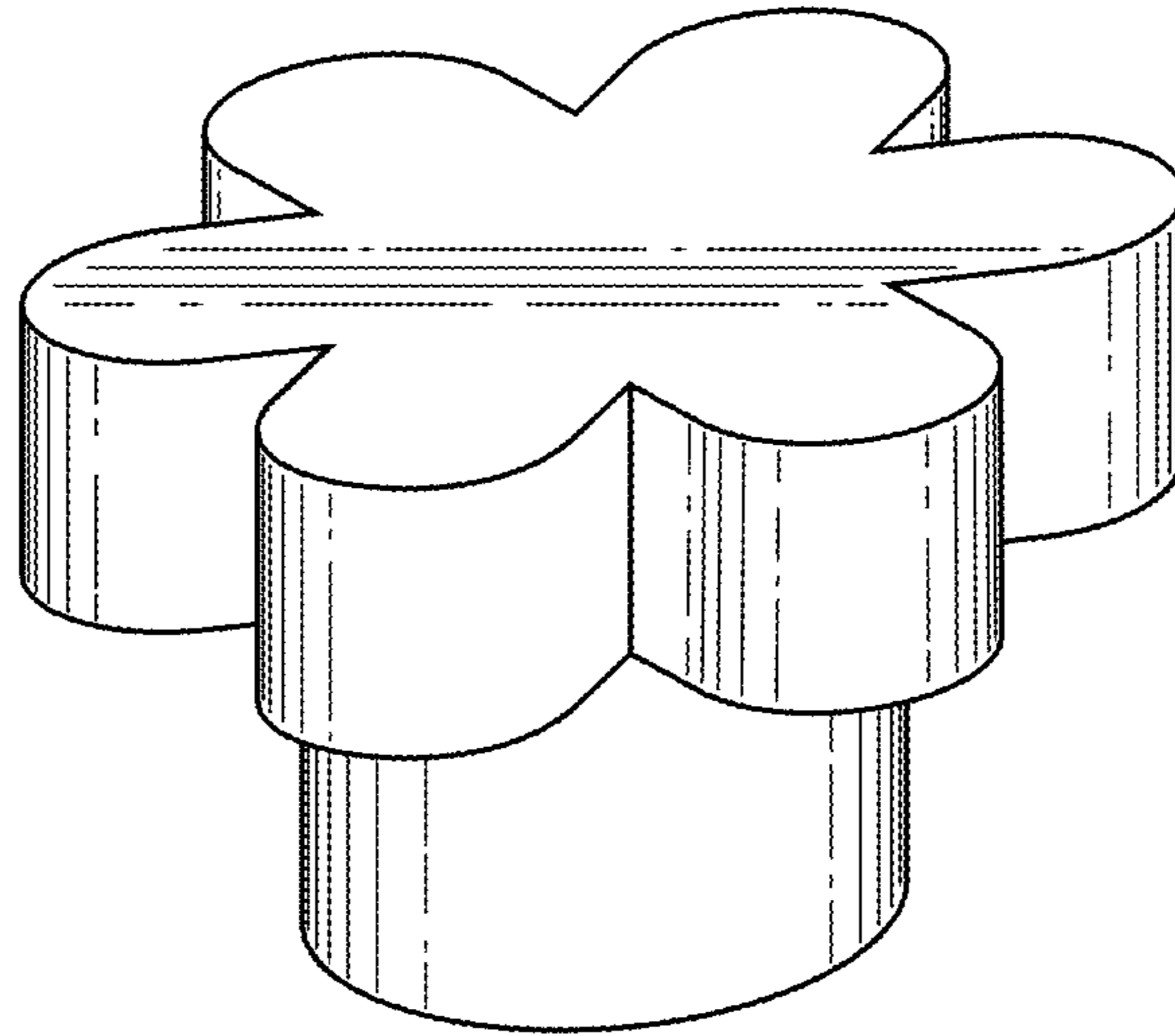


FIG. 1

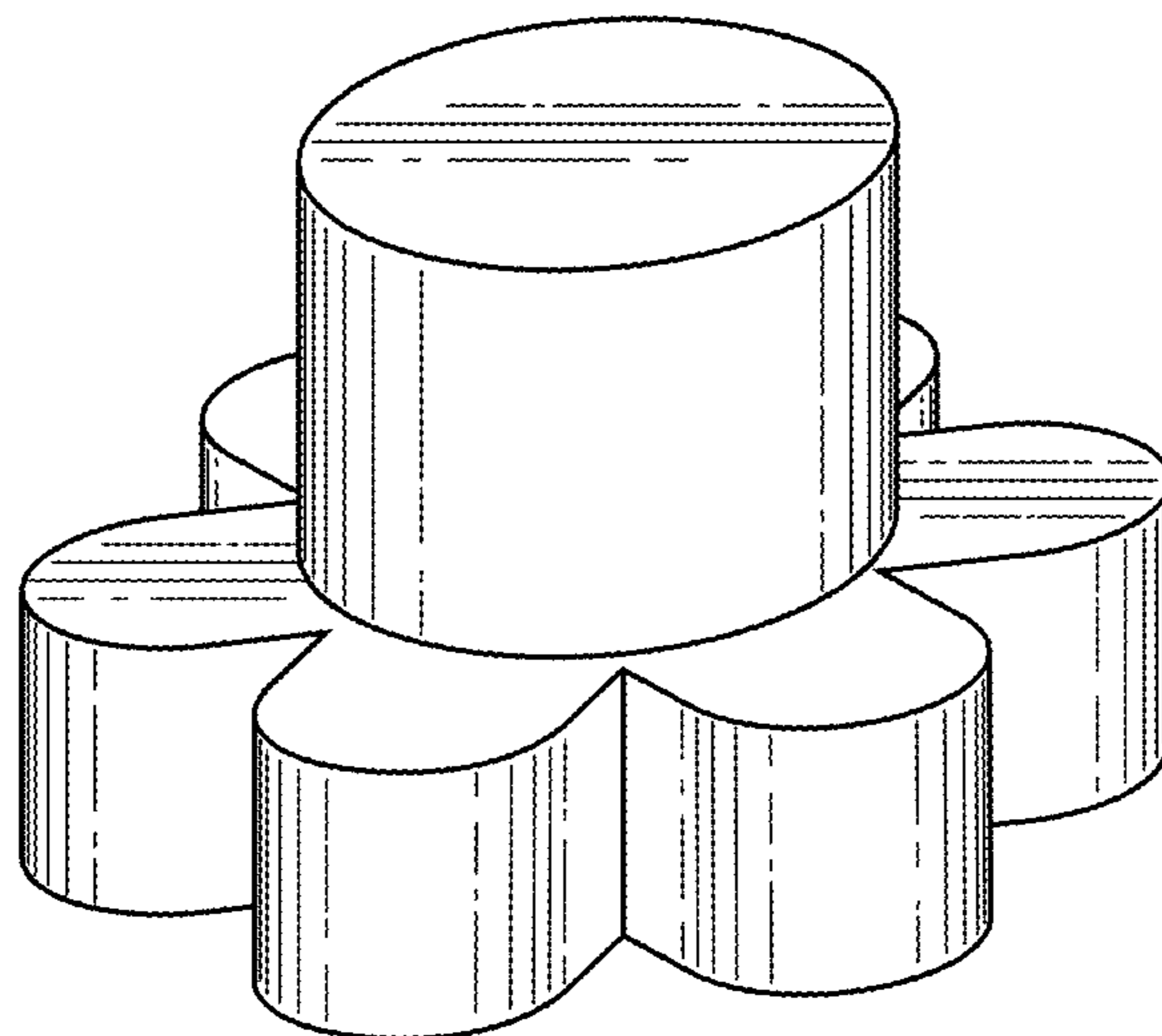


FIG. 2

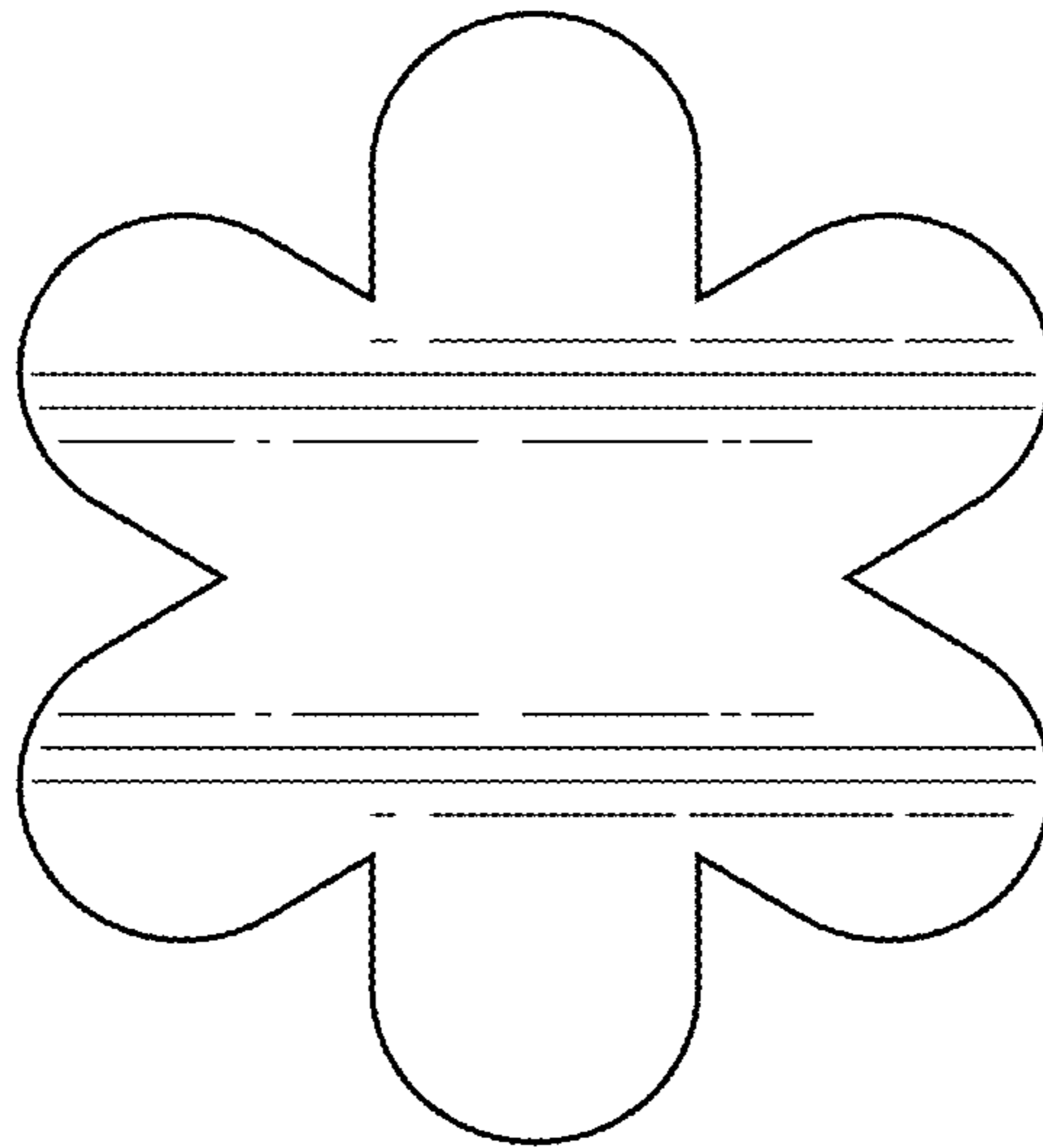


FIG. 3

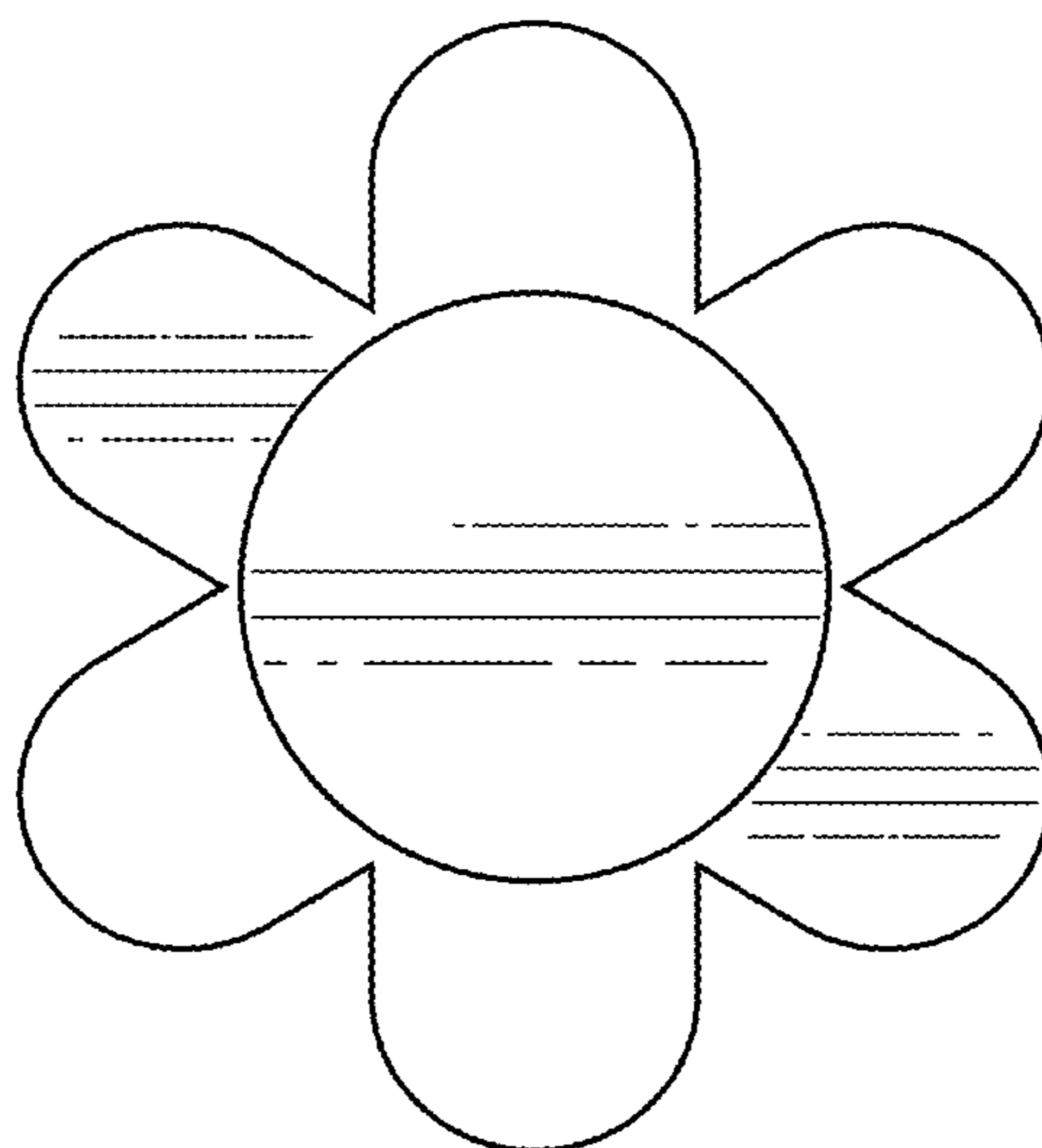


FIG. 4

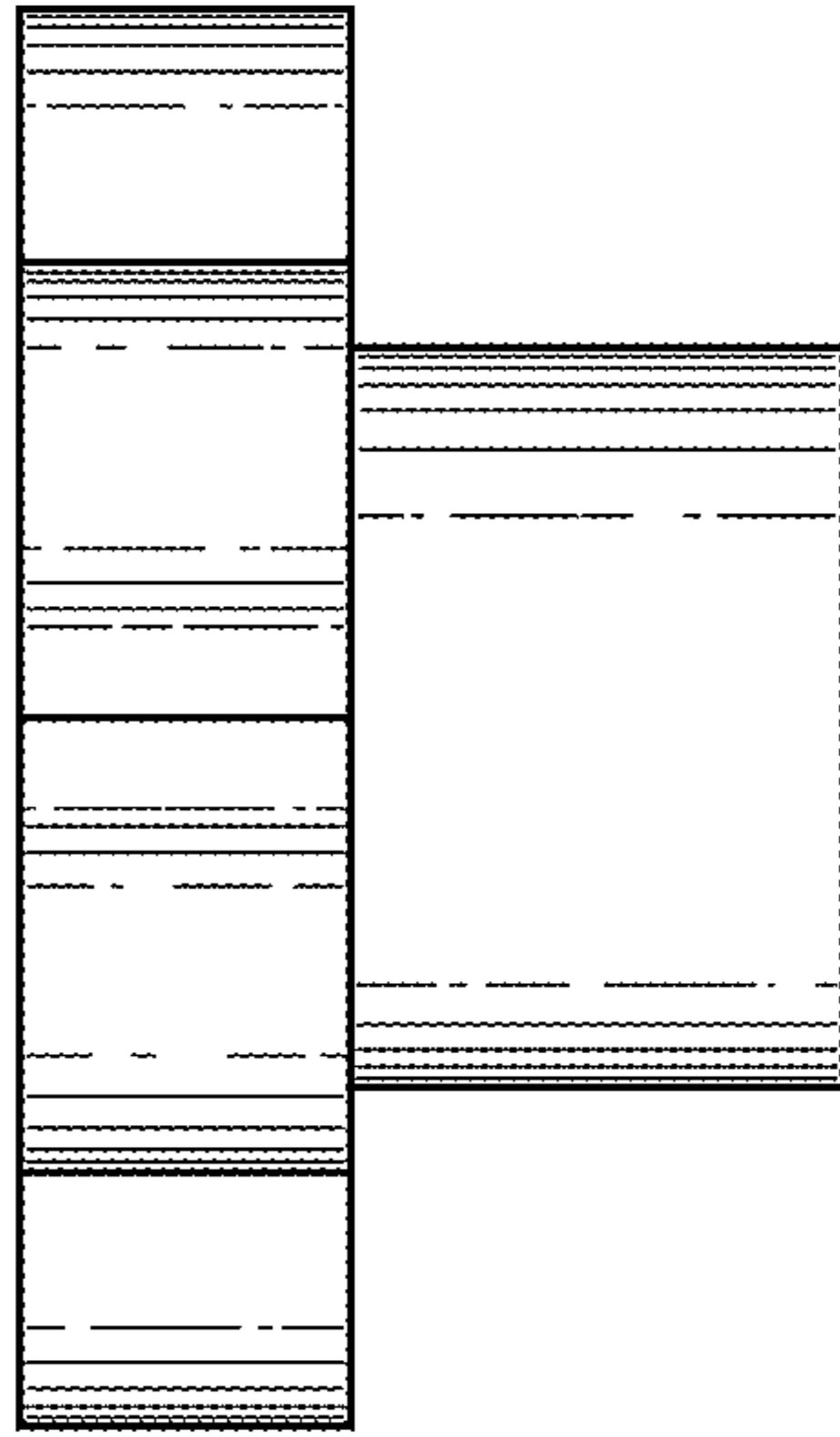


FIG. 5

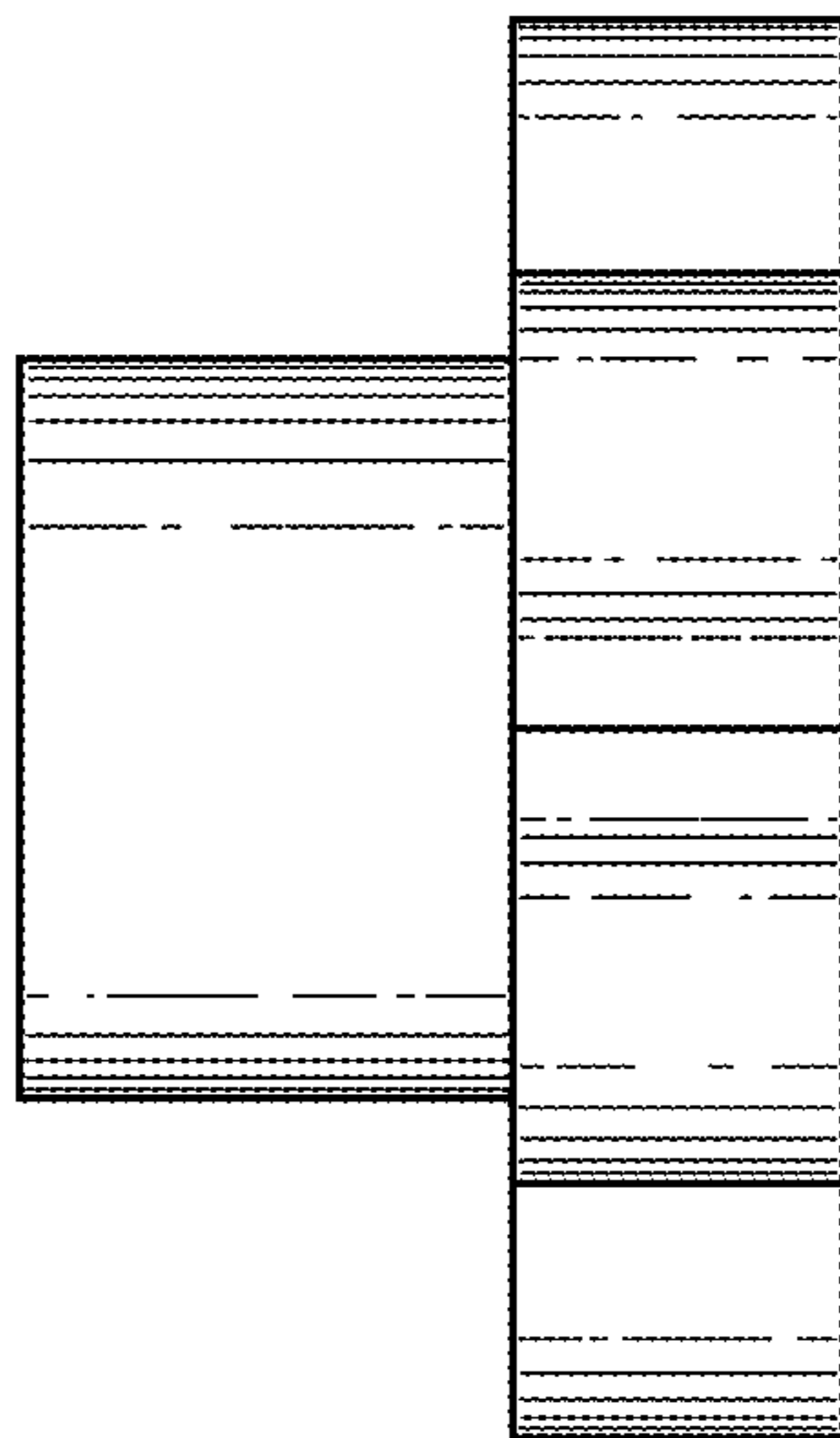


FIG. 6

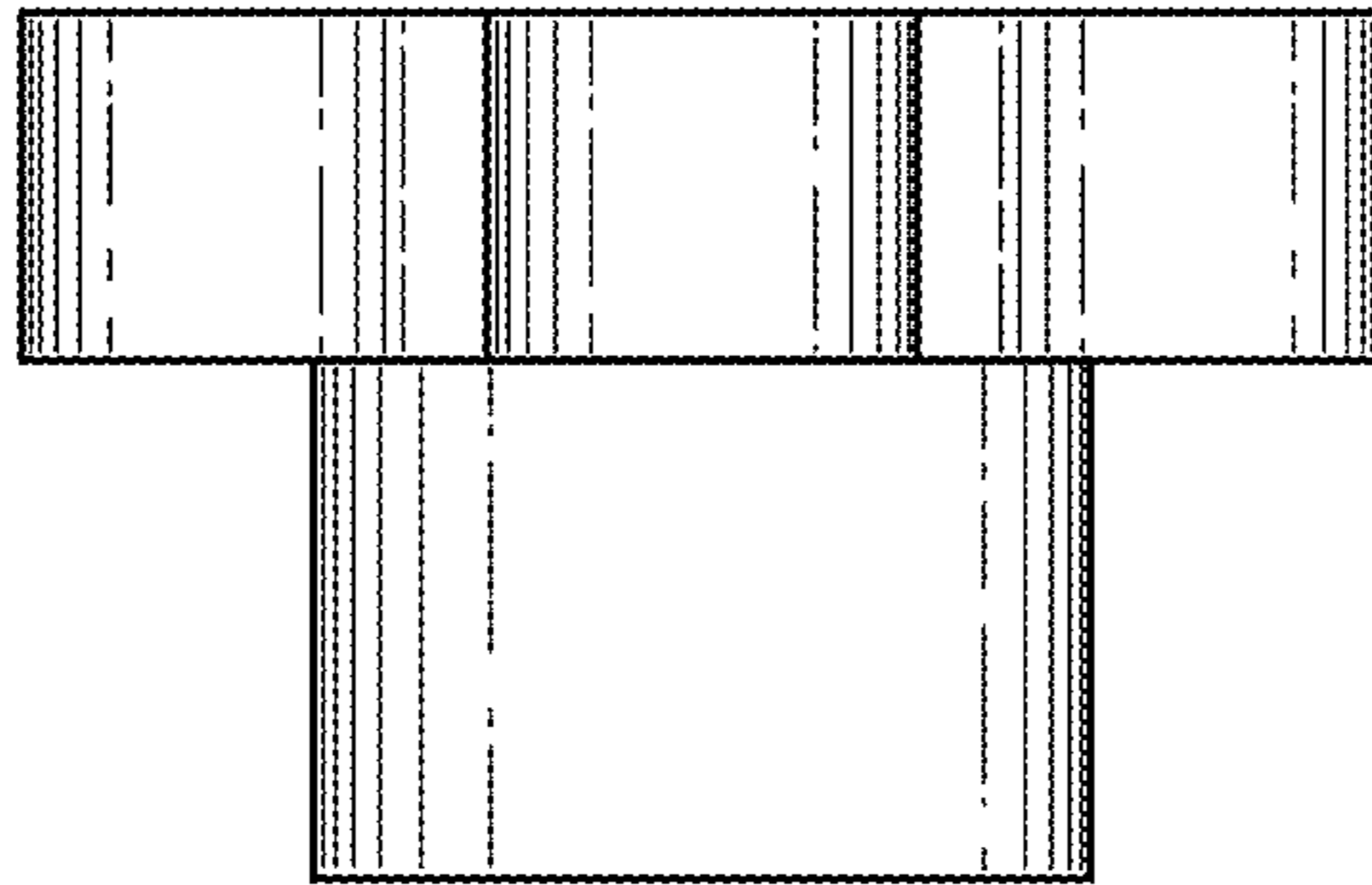


FIG. 7

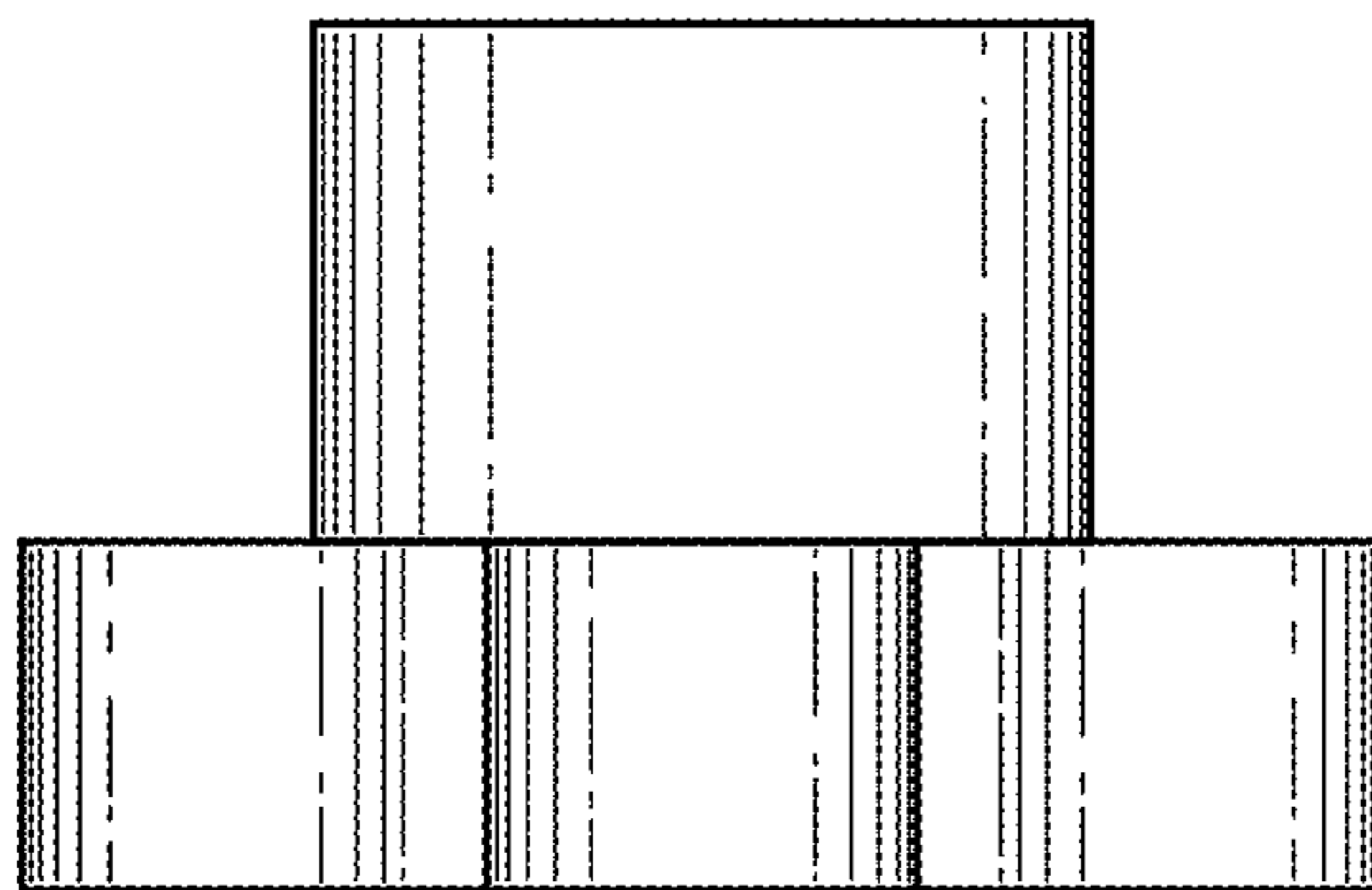


FIG. 8