



US00D781399S

(12) **United States Design Patent**
Koiwa

(10) **Patent No.:** **US D781,399 S**

(45) **Date of Patent:** **** Mar. 14, 2017**

(54) **SPRINKLER HEAD BODY**
(71) Applicant: **Senju Sprinkler Co., Ltd.**, Tokyo (JP)
(72) Inventor: **Yasuaki Koiwa**, Tokyo (JP)
(73) Assignee: **SENJU SPRINKLER CO., LTD.**,
Tokyo (JP)

5,642,907 A * 7/1997 Dole F16L 17/04
239/593
D388,502 S * 12/1997 Kah, III D23/214
D551,320 S * 9/2007 Franson D23/214
D556,859 S * 12/2007 Franson D23/214
7,712,543 B2 * 5/2010 Golinveaux A62C 35/62
169/17

(Continued)

(**) Term: **15 Years**

(21) Appl. No.: **29/547,695**

(22) Filed: **Dec. 7, 2015**

(30) **Foreign Application Priority Data**

Oct. 8, 2015 (JP) 2015-022138

(51) **LOC (10) Cl.** **23-01**

(52) **U.S. Cl.**
USPC **D23/214**

(58) **Field of Classification Search**
USPC D23/214; 169/37
CPC A62C 31/02; A62C 35/60; A62C 35/68;
B05B 1/265; B05B 1/267
See application file for complete search history.

(56) **References Cited**

U.S. PATENT DOCUMENTS

D55,170 S * 5/1920 Hamilton D23/214
4,109,727 A * 8/1978 Job A62C 37/12
169/41
4,117,887 A * 10/1978 Anderson A62C 37/10
169/37
D259,438 S * 6/1981 Meyer D23/214
D348,719 S * 7/1994 Dolan D23/214
5,458,201 A * 10/1995 Brim A62C 13/76
169/26
5,609,211 A * 3/1997 Meyer A62C 37/08
169/16

FOREIGN PATENT DOCUMENTS

CN 303102691 S 2/2015
JP 1420519 S 8/2011
JP 1486473 S 11/2013

Primary Examiner — Robin V Webster

Assistant Examiner — Rachel Voorhies

(74) *Attorney, Agent, or Firm* — Cermak Nakajima &
McGowan LLP; Tomoko Nakajima

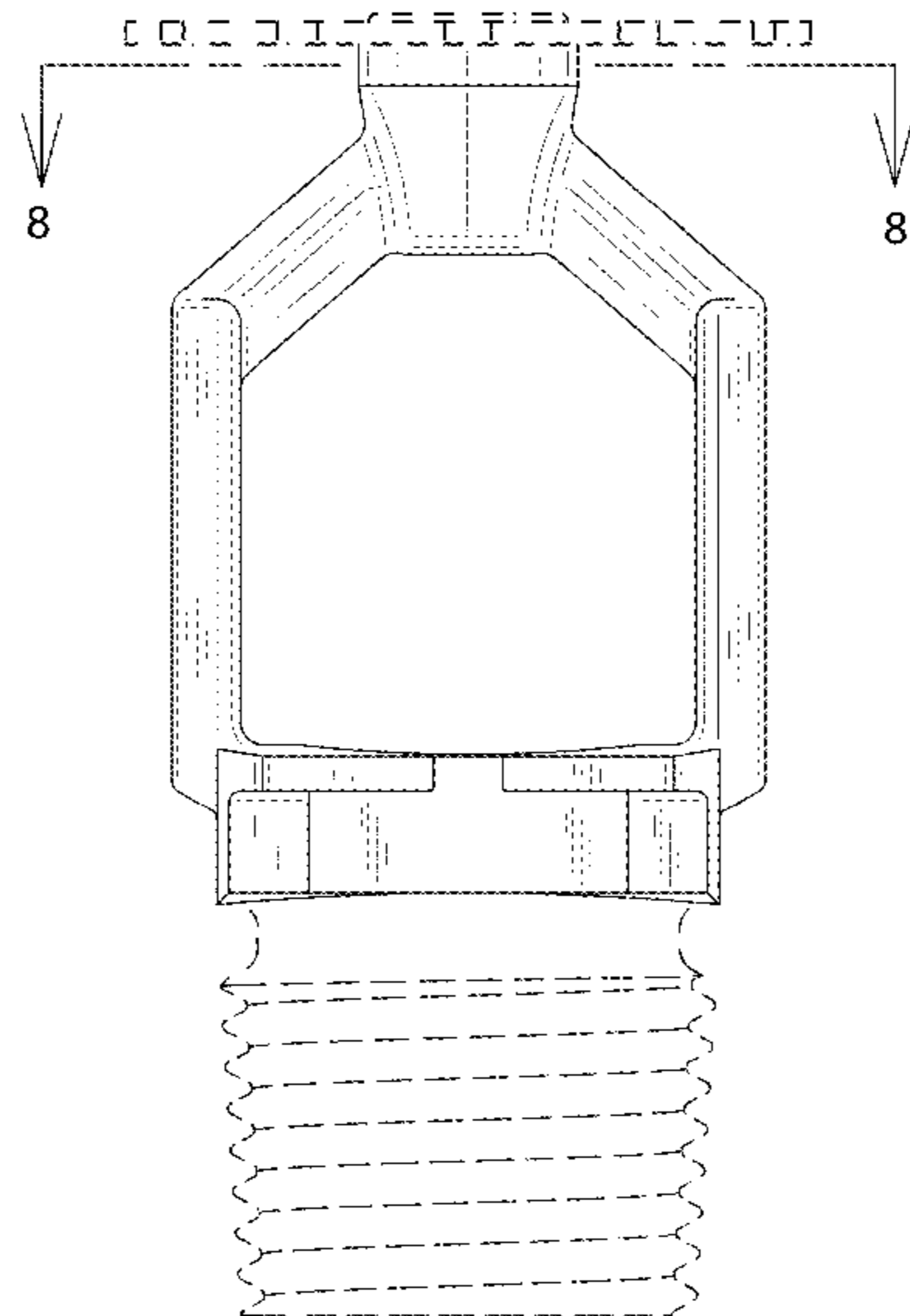
(57) **CLAIM**

The ornamental design for a sprinkler head body, as shown and described.

DESCRIPTION

FIG. 1 is a front elevational view of a sprinkler head body showing my new design;
FIG. 2 is a rear elevational view thereof;
FIG. 3 is a right side elevational view thereof;
FIG. 4 is a left side elevational view thereof;
FIG. 5 is a top plan view thereof;
FIG. 6 is a bottom plan view thereof; and
FIG. 7 is a perspective view thereof.
FIG. 8 is a cross-sectional view taken along the line 8-8 shown in FIG. 1; and,
FIG. 9 is a cross-sectional view taken along the line 9-9 shown in FIG. 5.
The broken lines in the drawings illustrate portions of the sprinkler head body which form no part of the claimed design.

1 Claim, 9 Drawing Sheets



US D781,399 S

Page 2

(56)

References Cited

U.S. PATENT DOCUMENTS

D667,079 S * 9/2012 Polan D23/214
D748,224 S * 1/2016 Holmes D23/214
2003/0000712 A1* 1/2003 Franson A62C 35/62
169/17
2003/0222155 A1* 12/2003 Neil A62C 31/005
239/208
2004/0134670 A1* 7/2004 Orr A62C 31/02
169/37
2005/0067171 A1* 3/2005 Green A62C 31/02
169/16
2005/0178564 A1* 8/2005 Orr A62C 37/14
169/37
2005/0236166 A1* 10/2005 Bentzien B05B 15/065
169/37
2006/0219819 A1* 10/2006 Franson A62C 37/08
239/502
2008/0011491 A1* 1/2008 Thau A62C 31/02
169/37

2008/0202773 A1* 8/2008 Pigeon A62C 37/14
169/38
2009/0078432 A1* 3/2009 Tow A62C 37/14
169/37
2010/0132962 A1* 6/2010 Silva, Jr. A62C 37/12
169/37
2013/0043328 A1* 2/2013 Williams A62C 37/08
239/288
2013/0320108 A1* 12/2013 Sesser B05B 1/16
239/74
2015/0034341 A1* 2/2015 Pigeon A62C 3/002
169/54
2015/0246253 A1* 9/2015 Miller B05B 1/267
169/37
2015/0367156 A1* 12/2015 Kadoche A62C 35/68
169/16
2016/0008642 A1* 1/2016 Kadoche A62C 35/62
169/17
2016/0121149 A1* 5/2016 Pena A62C 35/68
169/16

* cited by examiner

Fig. 1

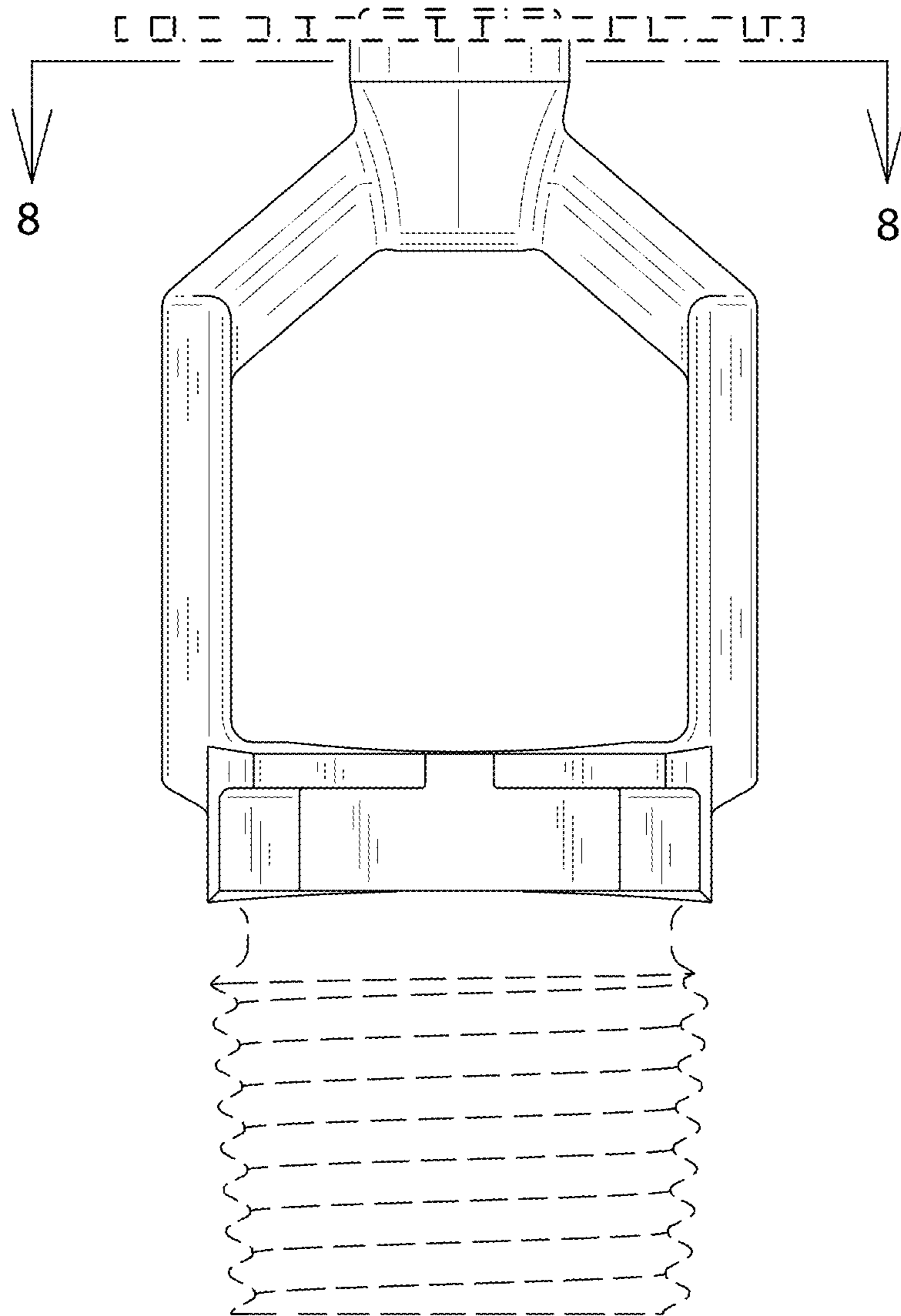


Fig. 2

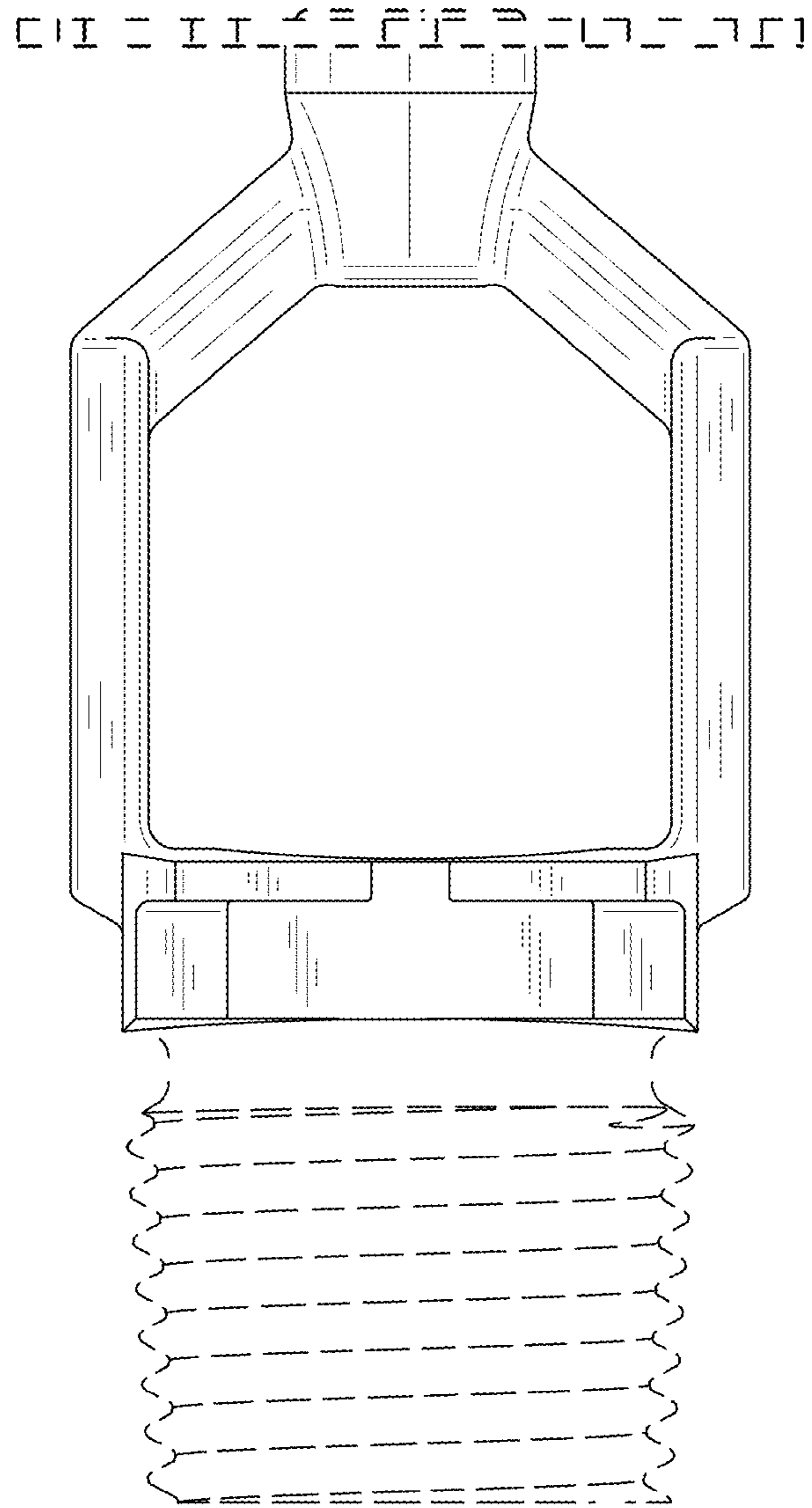


Fig. 3

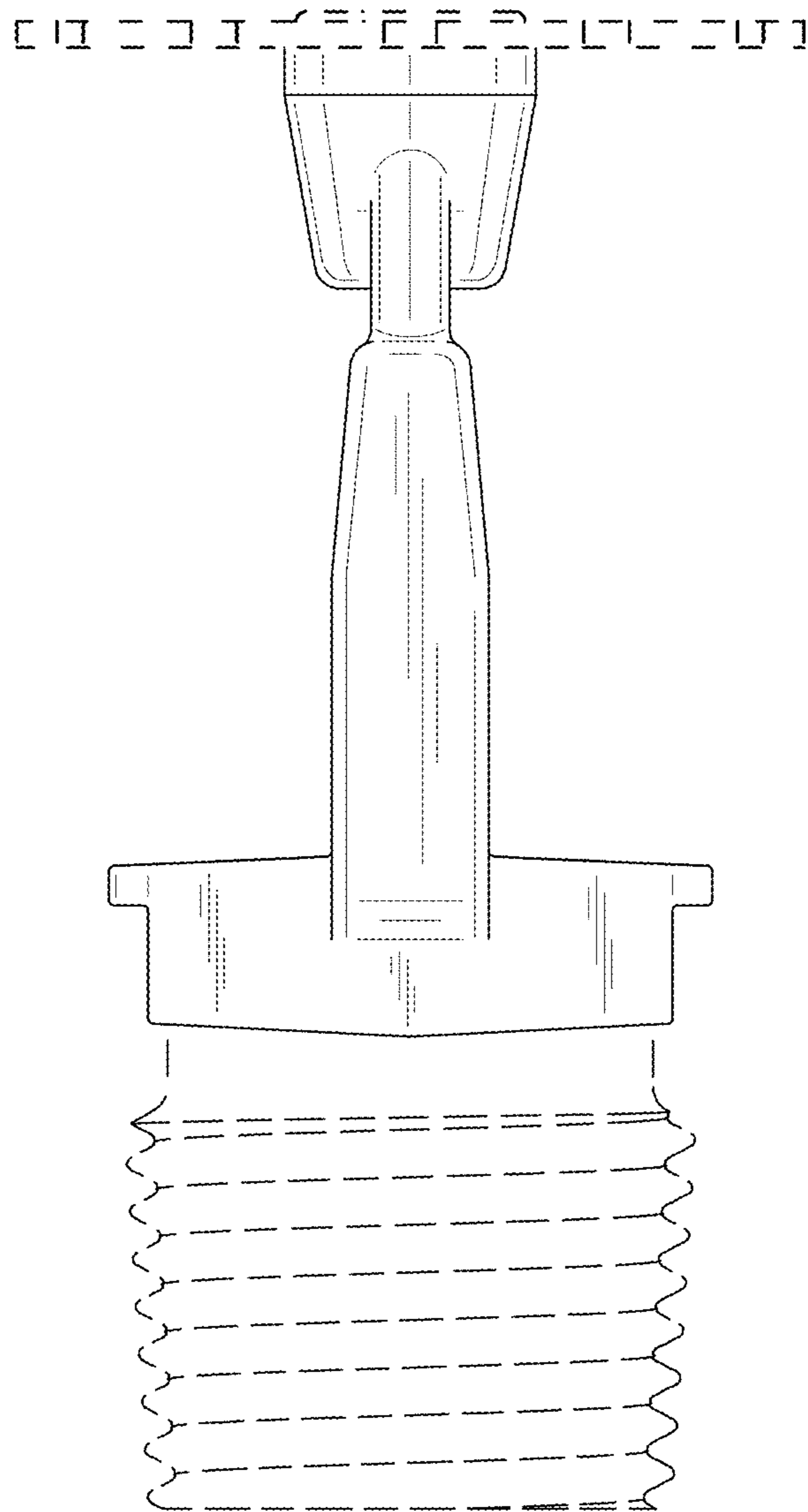


Fig. 4

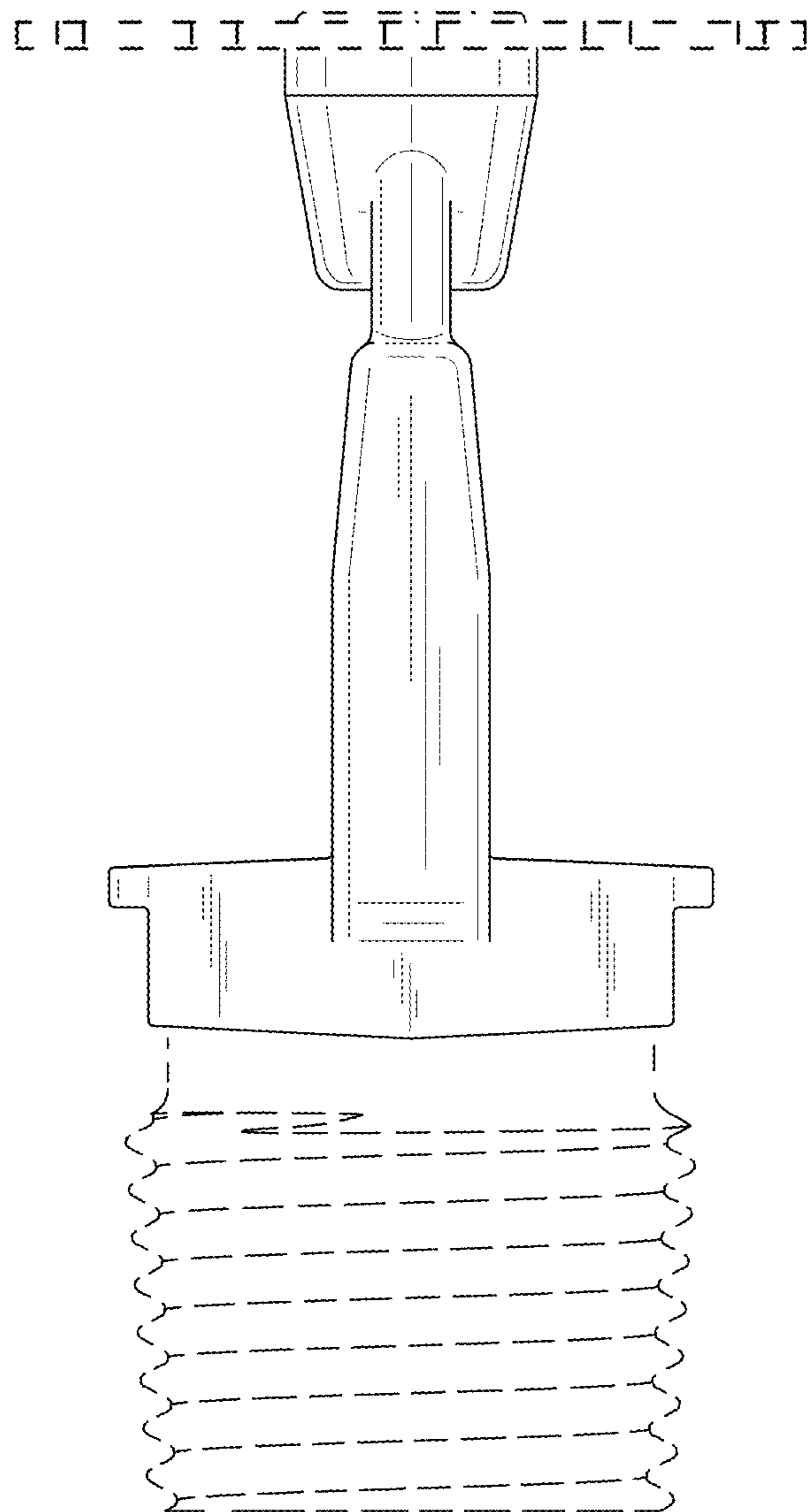


Fig. 5

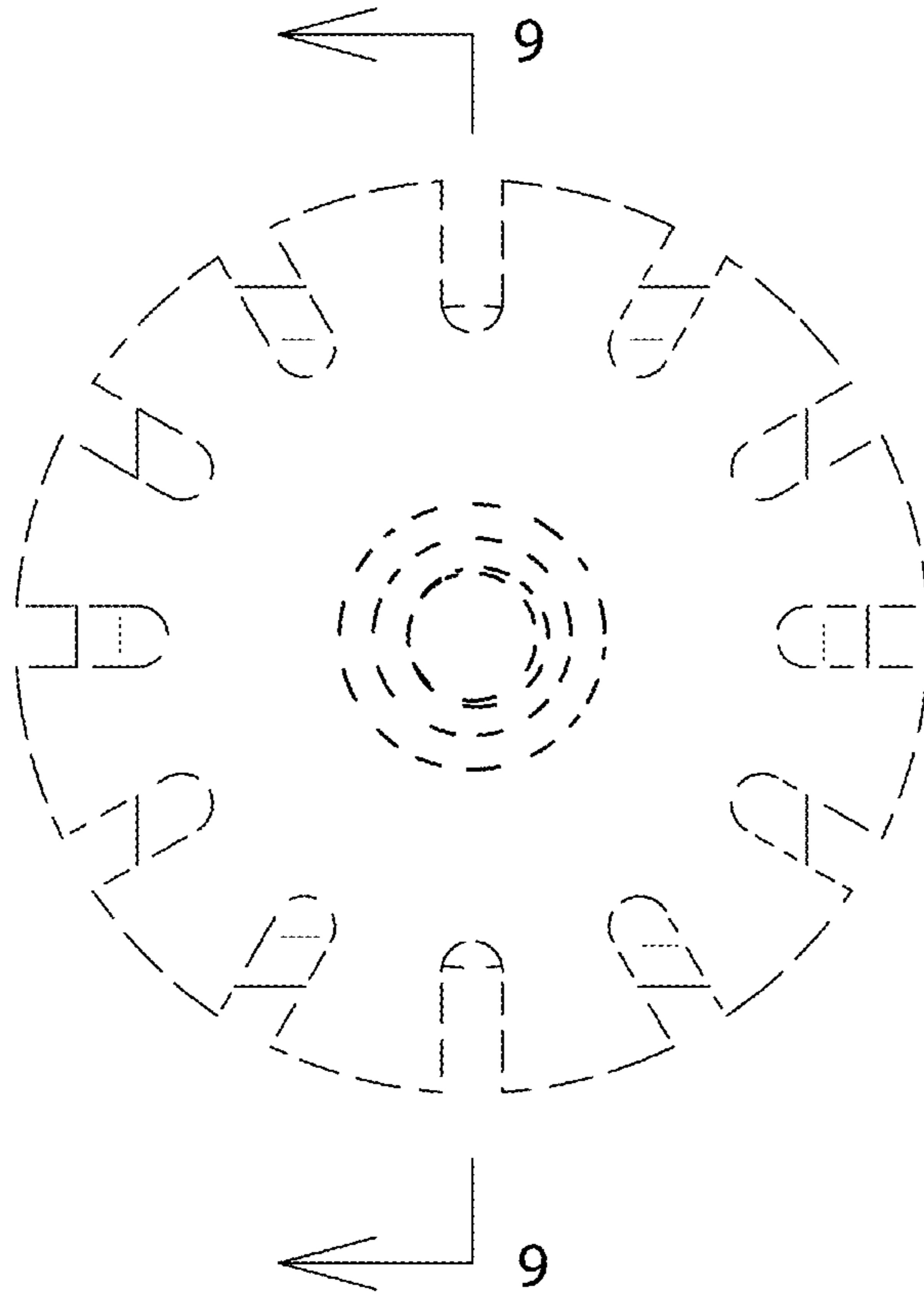


Fig. 6

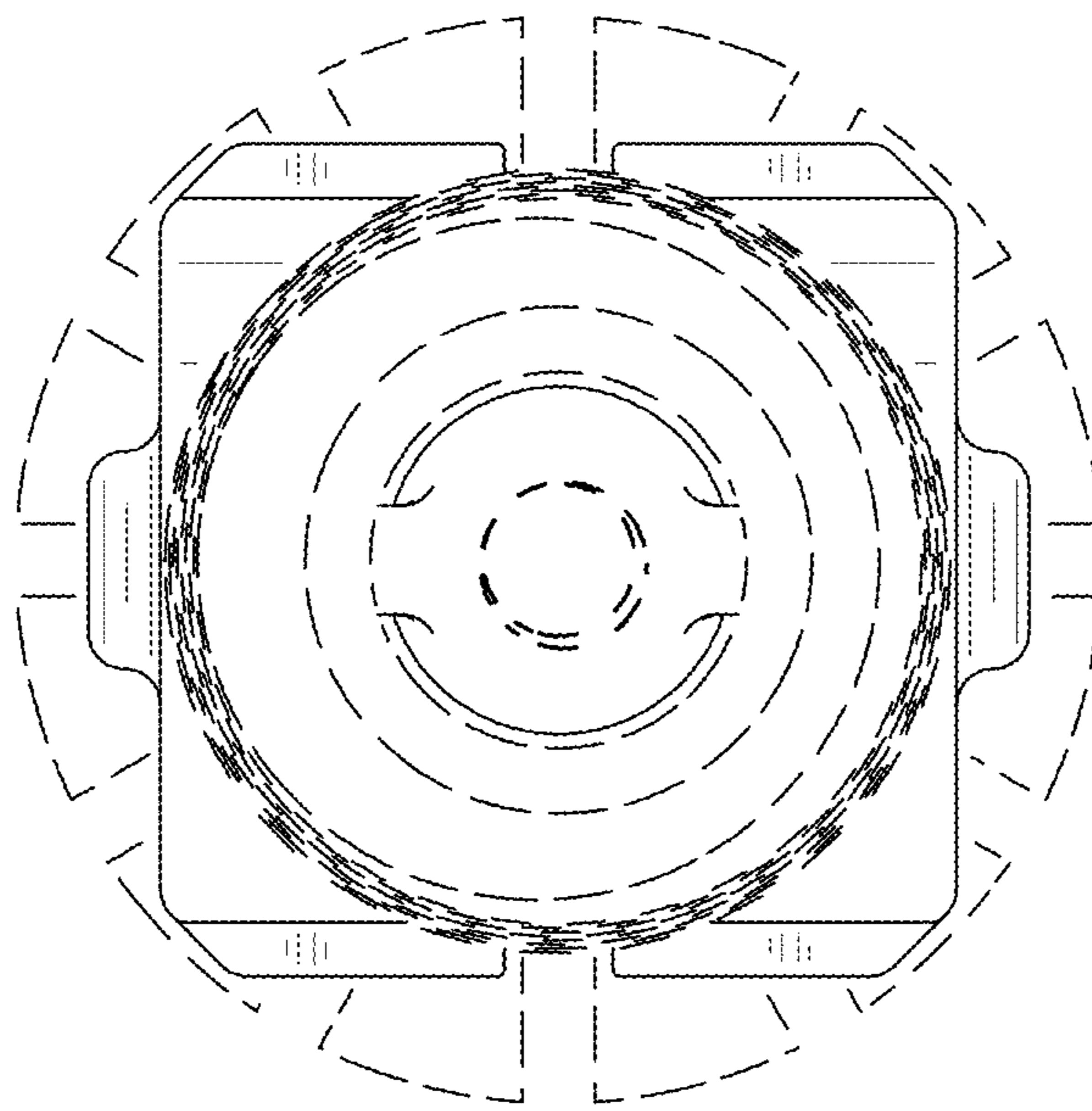


Fig. 7

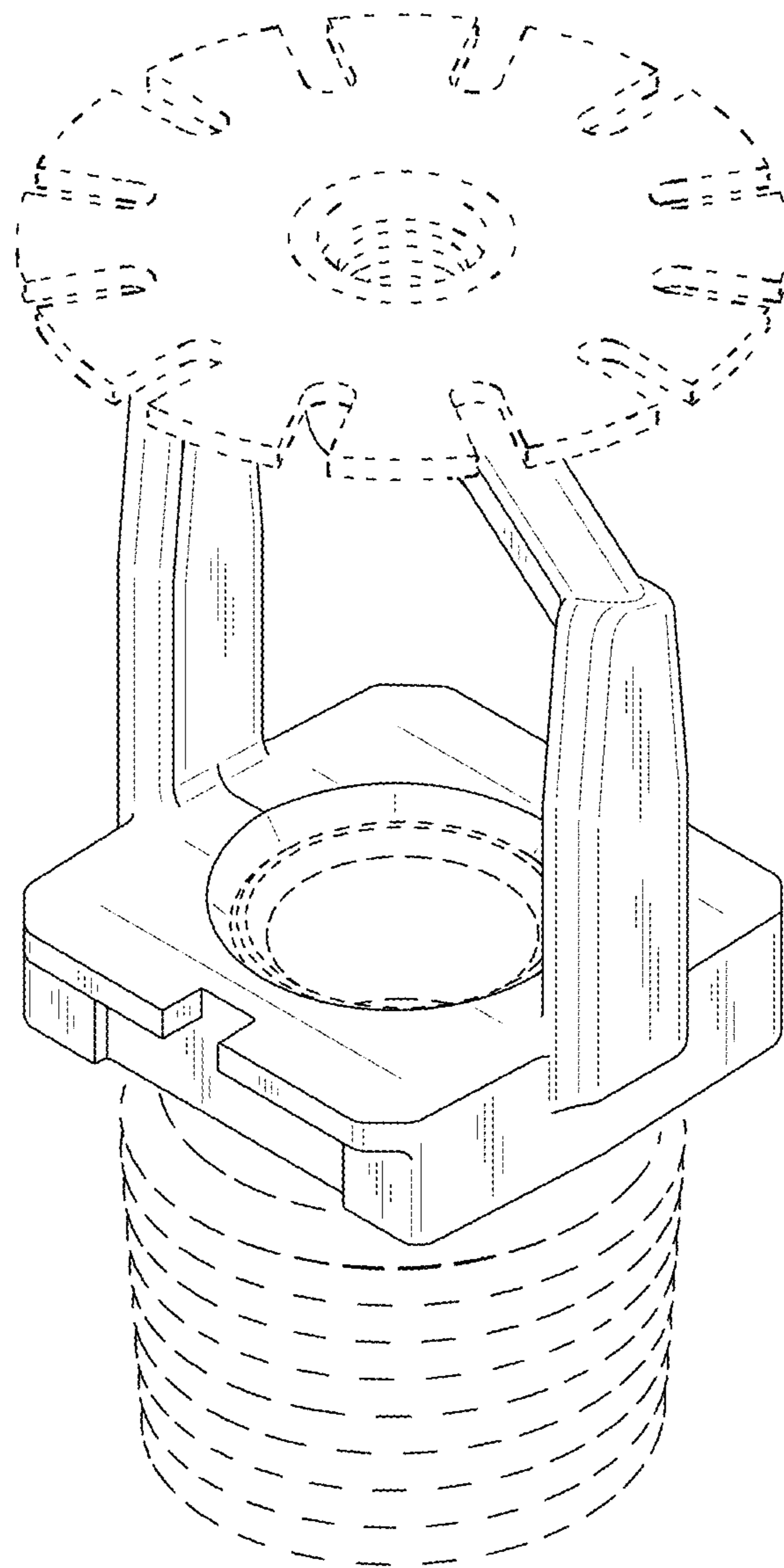


Fig. 8

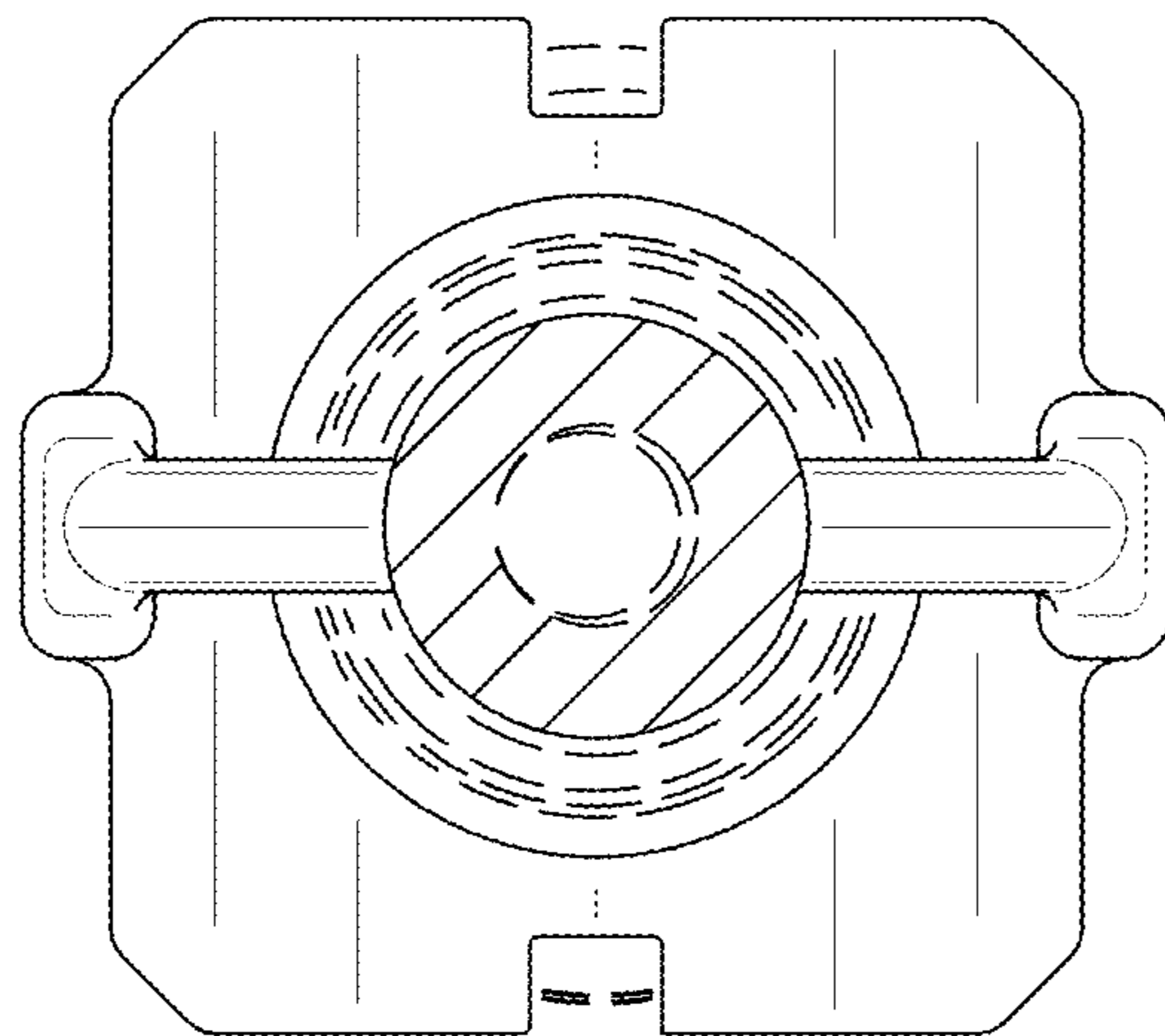


Fig. 9

