



US00D781397S

(12) **United States Design Patent**
Hill

(10) **Patent No.:** **US D781,397 S**

(45) **Date of Patent:** **** Mar. 14, 2017**

(54) **HANGER FOR A TOILET BOWL TABLET**

(71) Applicant: **Vicky Hill**, Antioch, IL (US)

(72) Inventor: **Vicky Hill**, Antioch, IL (US)

(**) Term: **15 Years**

(21) Appl. No.: **29/542,558**

(22) Filed: **Oct. 15, 2015**

(51) **LOC (10) Cl.** **23-01**

(52) **U.S. Cl.**
USPC **D23/208**

(58) **Field of Classification Search**
USPC D23/207, 208; 4/231, 232, 223, 225.1,
4/227.1

CPC E03D 9/02; E03D 9/032
See application file for complete search history.

(56) **References Cited**

U.S. PATENT DOCUMENTS

- 1,731,431 A * 10/1929 Meyer E03D 9/032
4/222.1
- 3,668,717 A 6/1972 Curran
- 3,947,901 A 4/1976 Willert
- 4,254,513 A * 3/1981 Cretin E03D 9/032
4/231
- D307,934 S * 5/1990 Verebelyi D23/208
- D481,099 S * 10/2003 Legeay D23/208
- 6,651,260 B1 * 11/2003 Dodson E03D 1/012
4/227.1
- D523,923 S * 6/2006 Nguyen D23/208
- D548,305 S * 8/2007 King D23/208

- D568,960 S * 5/2008 Cheung D23/208
- D607,967 S * 1/2010 Enever D23/208
- D662,174 S * 6/2012 Reijnders D23/208
- 8,266,728 B2 * 9/2012 Bulala E03D 9/007
4/227.1
- D679,778 S * 4/2013 Gerhards D23/208
- 8,615,820 B2 12/2013 Arora et al.
- D732,639 S * 6/2015 Wen D23/208

* cited by examiner

Primary Examiner — Robin V Webster

(74) *Attorney, Agent, or Firm* — Stevenson IP, LLC

(57) **CLAIM**

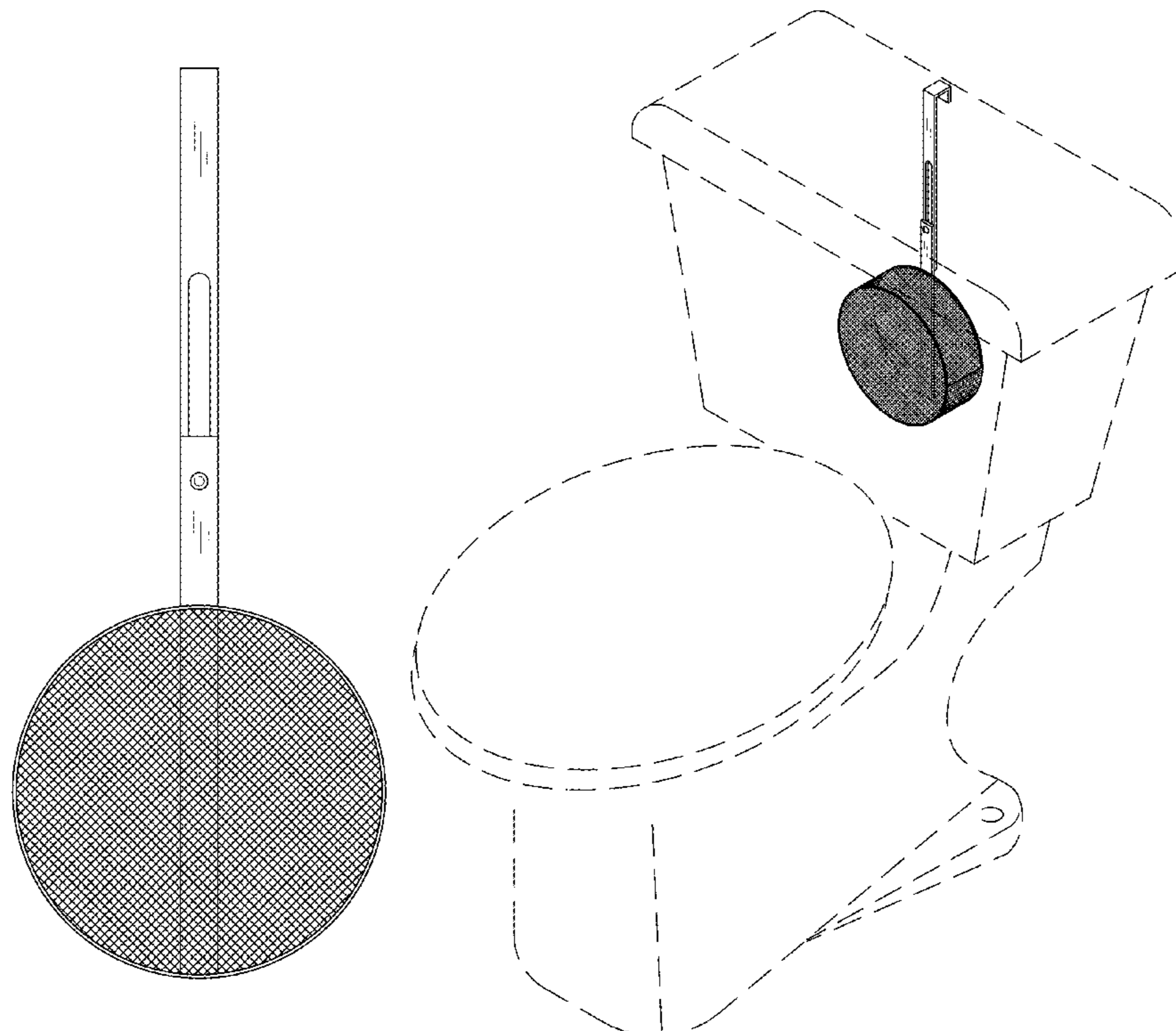
The ornamental design for a hanger for a toilet bowl tablet, as shown and described.

DESCRIPTION

FIG. 1 is a front elevation view of a hanger for a toilet bowl tablet showing my new design;
 FIG. 2 is a rear elevation view thereof;
 FIG. 3 is a left side elevation view thereof;
 FIG. 4 is a right side elevation view thereof;
 FIG. 5 is a top plan view thereof;
 FIG. 6 is a bottom plan view thereof;
 FIG. 7 is an in-use isometric view thereof; and,
 FIG. 8 is a cross-sectional view taken along line 8-8 of FIG. 4.

The broken lines in FIG. 7 of the drawings depict environmental subject matter only and form no part of the claimed design.

1 Claim, 6 Drawing Sheets



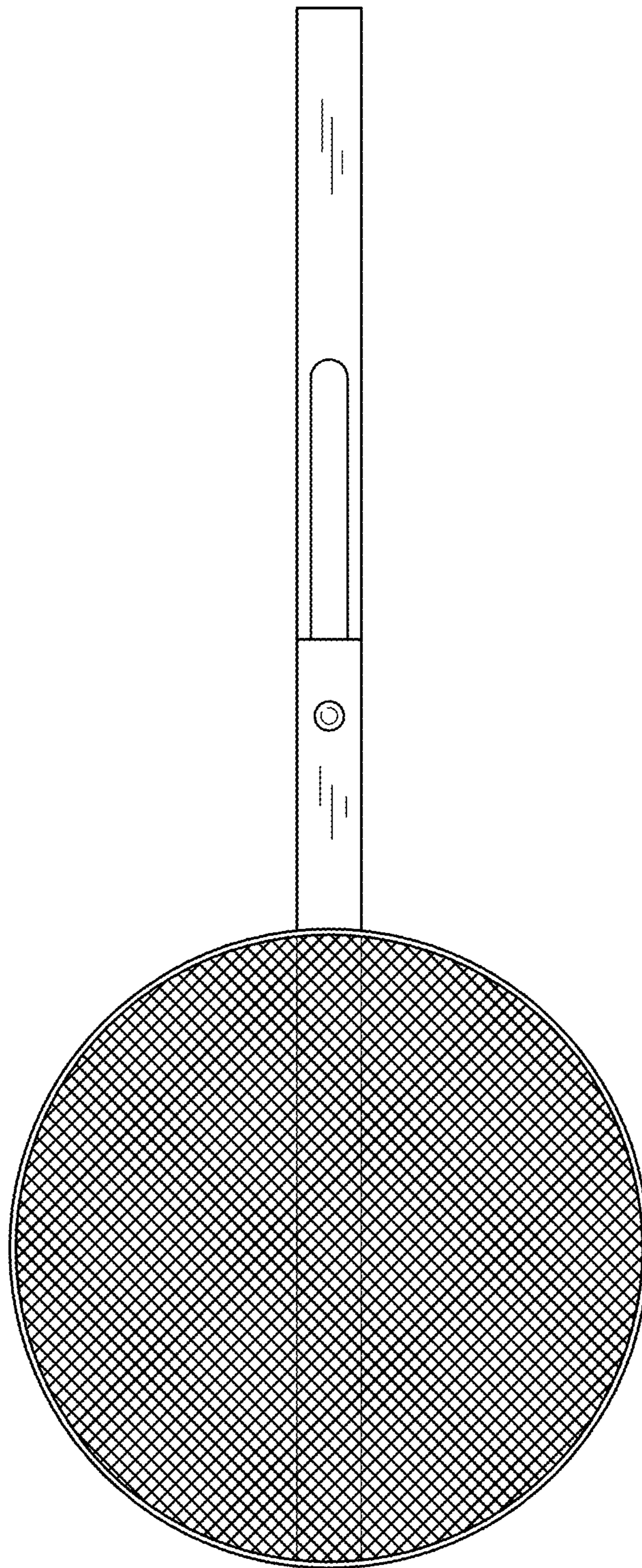


FIG. 1

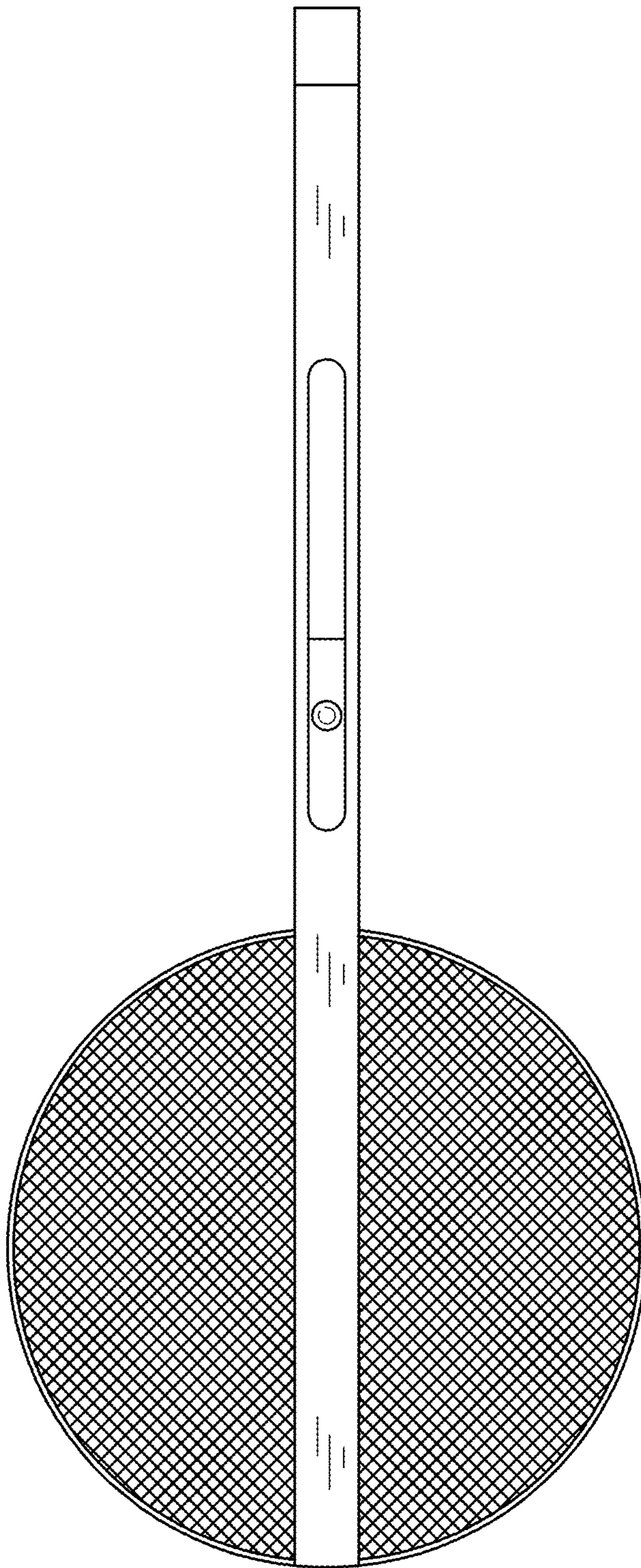


FIG. 2

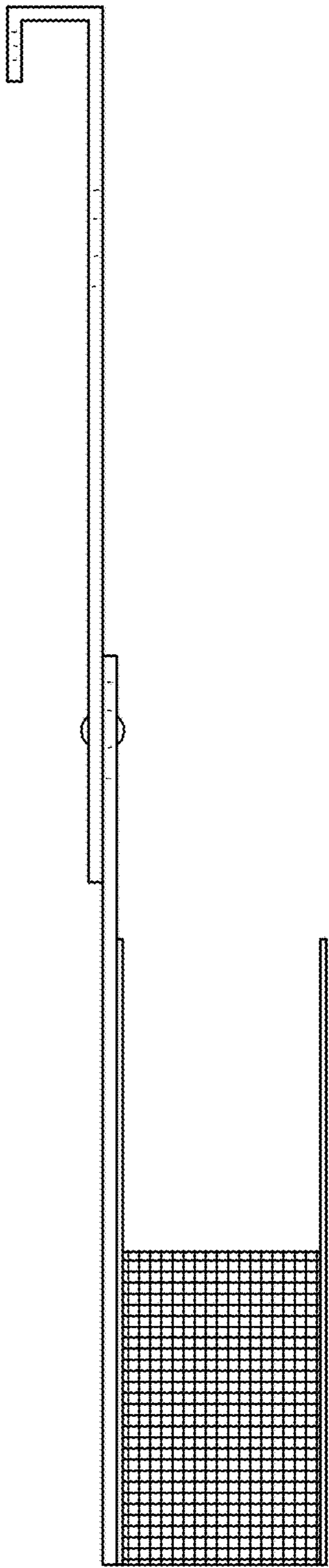


FIG. 3

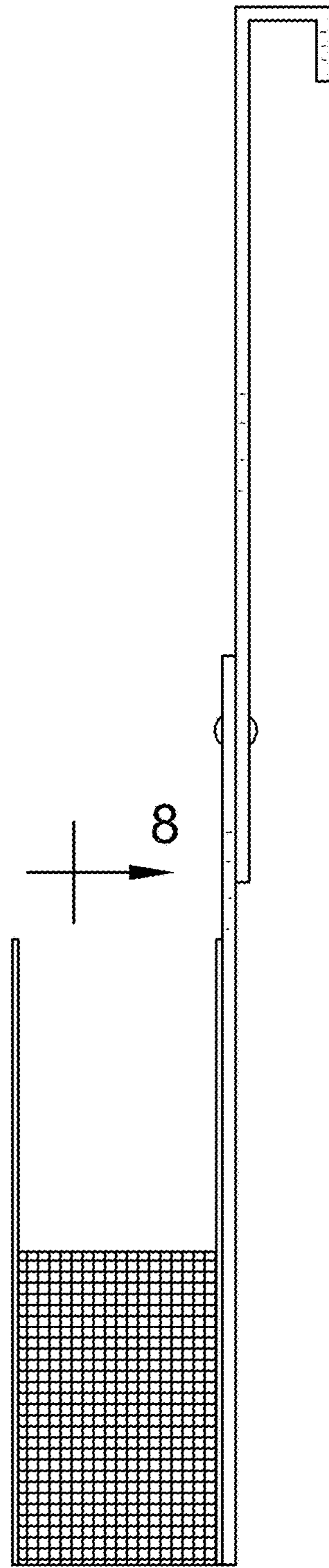
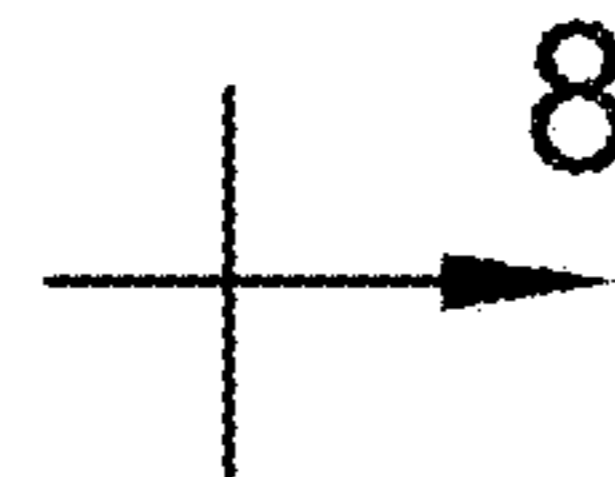


FIG. 4



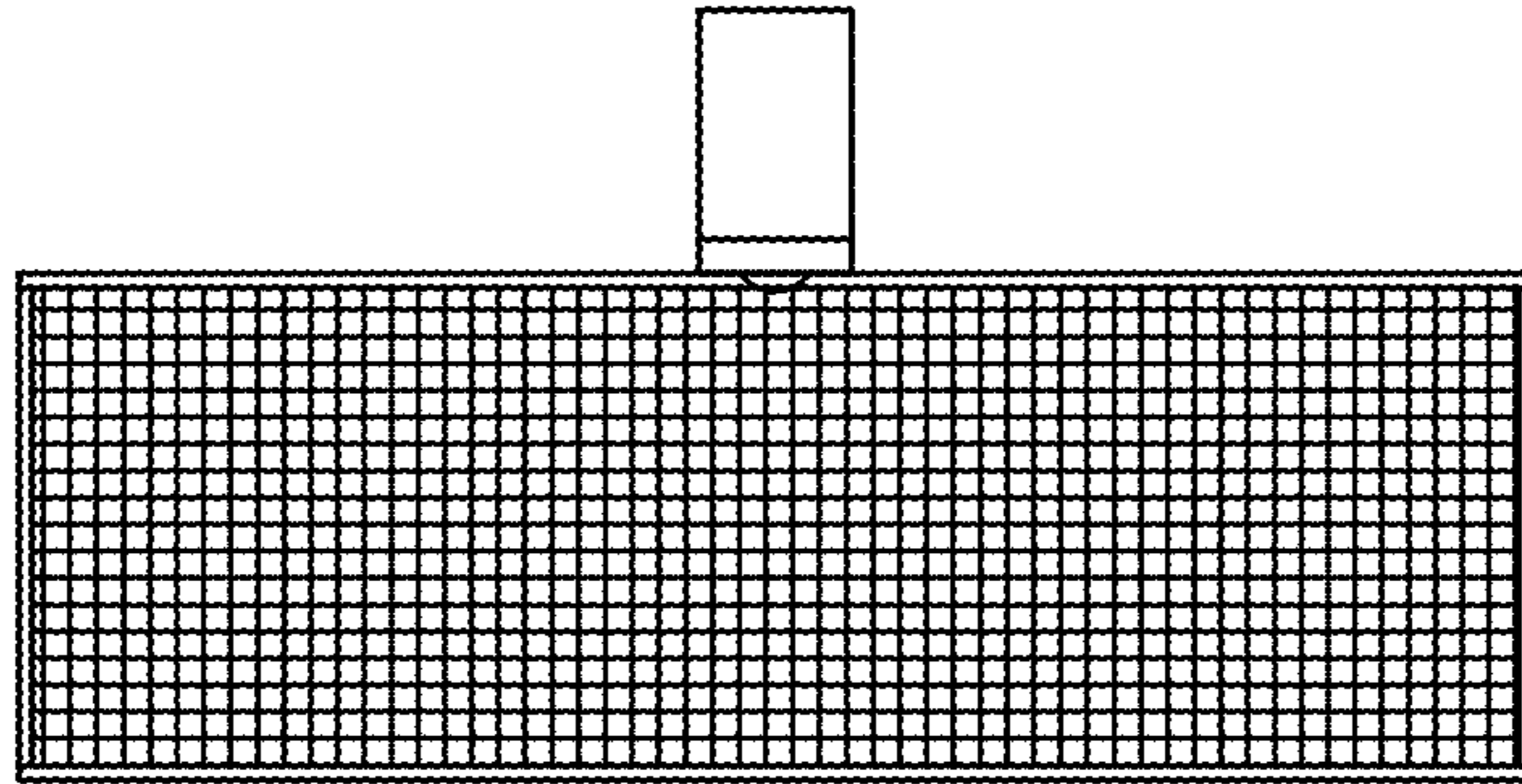


FIG. 5

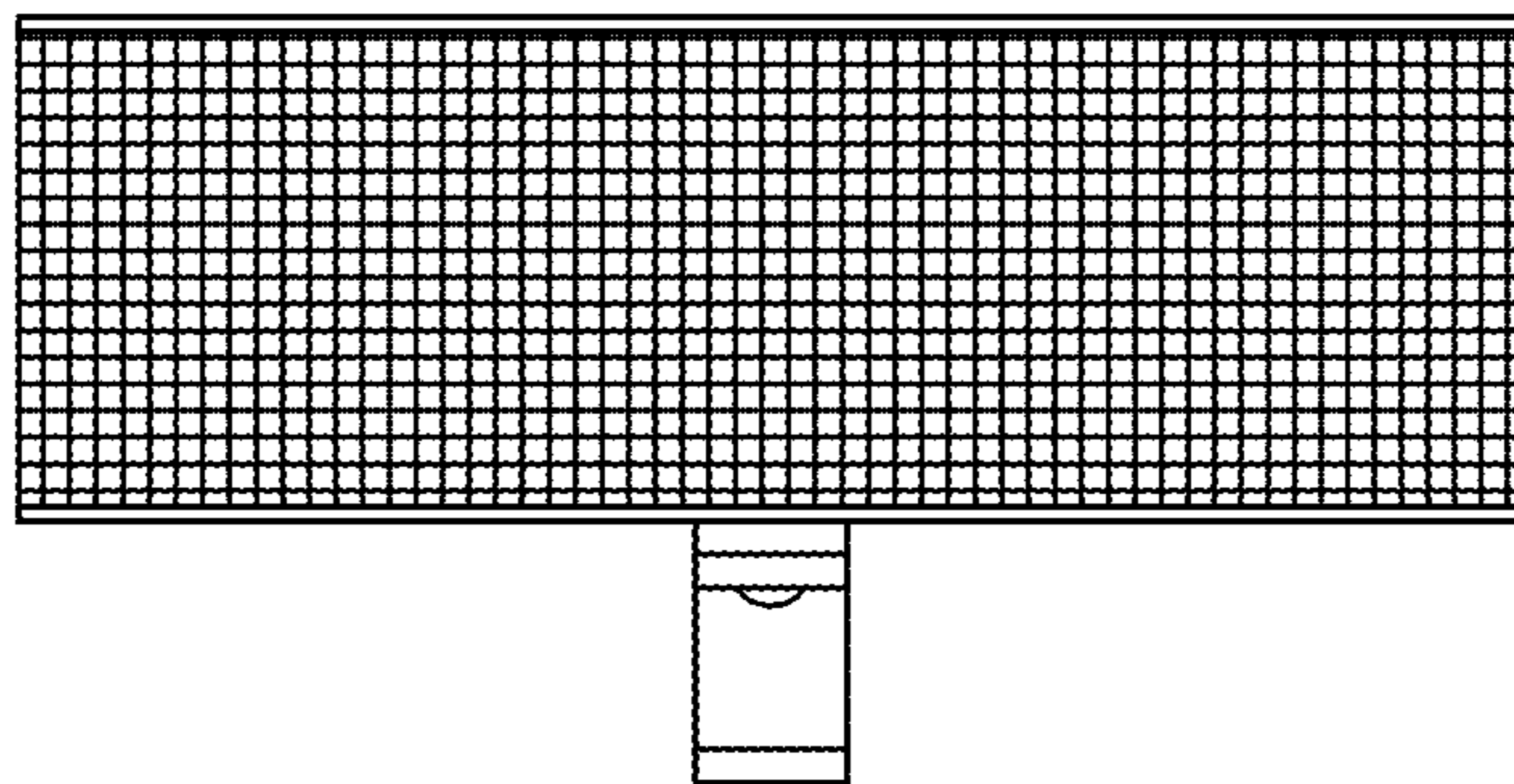


FIG. 6

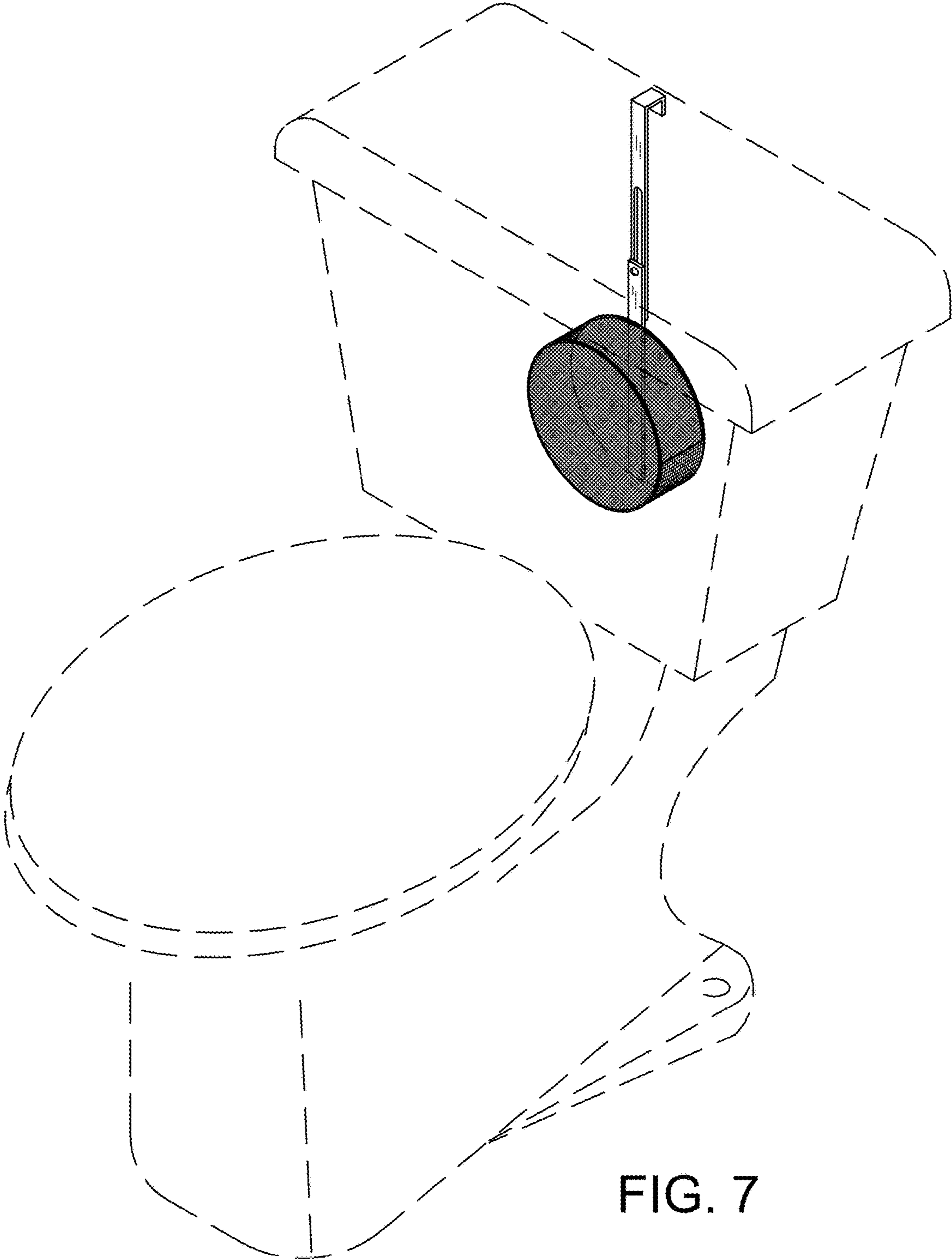


FIG. 7

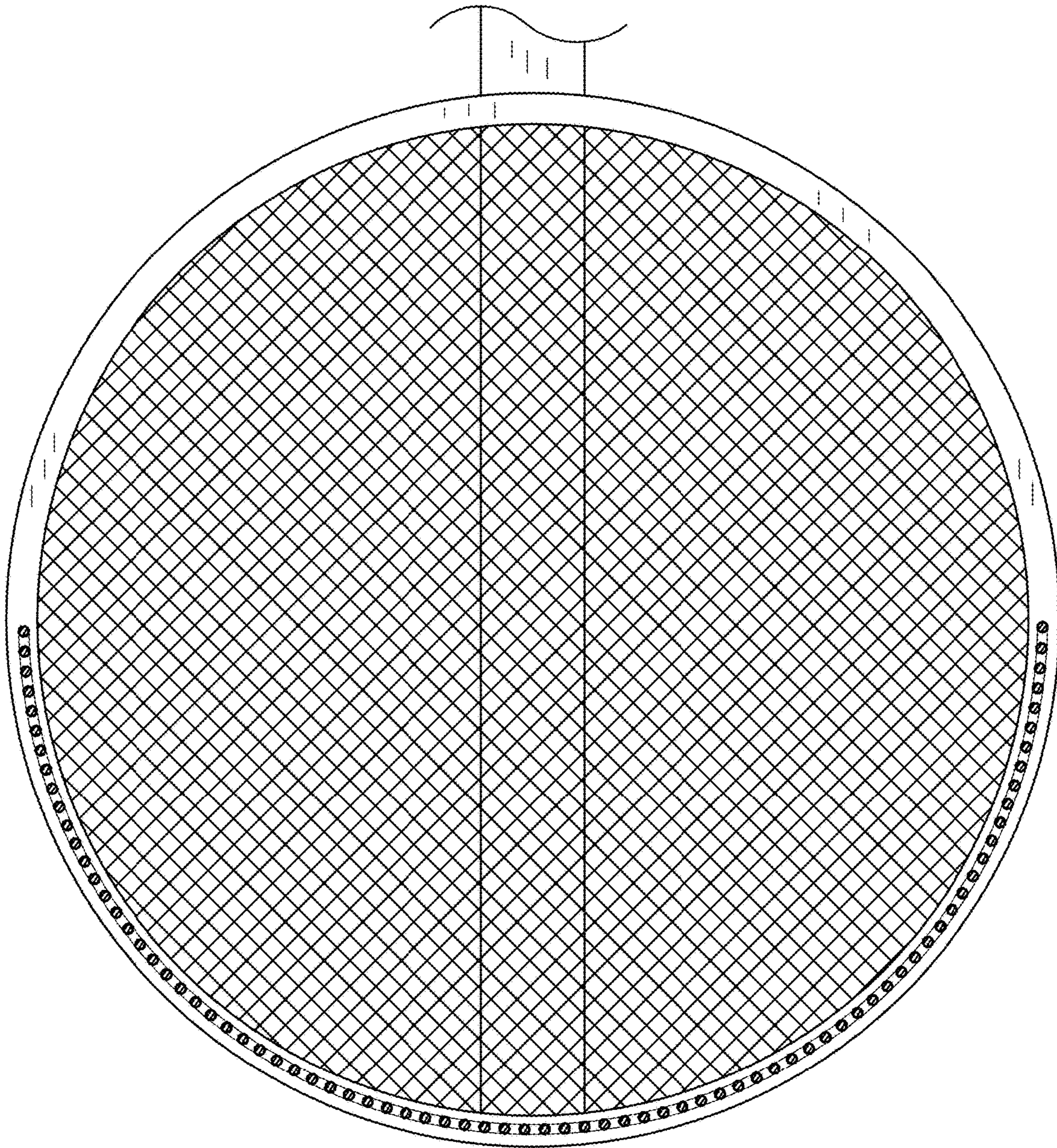


FIG. 8