



US00D781396S

(12) **United States Design Patent**
Nago et al.

(10) **Patent No.:** **US D781,396 S**
(45) **Date of Patent:** **** Mar. 14, 2017**

(54) **FISHING REEL PORTION**

FOREIGN PATENT DOCUMENTS

(71) Applicant: **Shimano Inc.**, Sakai, Osaka (JP)

JP 1476580 S 8/2013

(72) Inventors: **Akira Nago**, Osaka (JP); **Masakazu Iwabuchi**, Osaka (JP)

* cited by examiner

(73) Assignee: **Shimano Inc.**, Osaka (JP)

Primary Examiner — Catheri Oliver-Garcia

(**) Term: **15 Years**

(74) *Attorney, Agent, or Firm* — Global IP Counselors

(21) Appl. No.: **29/555,436**

(22) Filed: **Feb. 22, 2016**

(57) **CLAIM**

The ornamental design for fishing reel portion, as shown and described.

(30) **Foreign Application Priority Data**

DESCRIPTION

Nov. 17, 2015 (JP) 2015-025719

(51) **LOC (10) Cl.** **22-05**

(52) **U.S. Cl.**
USPC **D22/140**

(58) **Field of Classification Search**
USPC D22/137-141; 206/315.11; 242/118.3,
242/118.4, 118.7, 234-240, 303, 311,
242/317-323, 313

CPC A01K 89/00; A01K 89/01; A01K 89/016;
A01K 89/033; A01K 91/02; A01K 99/00
See application file for complete search history.

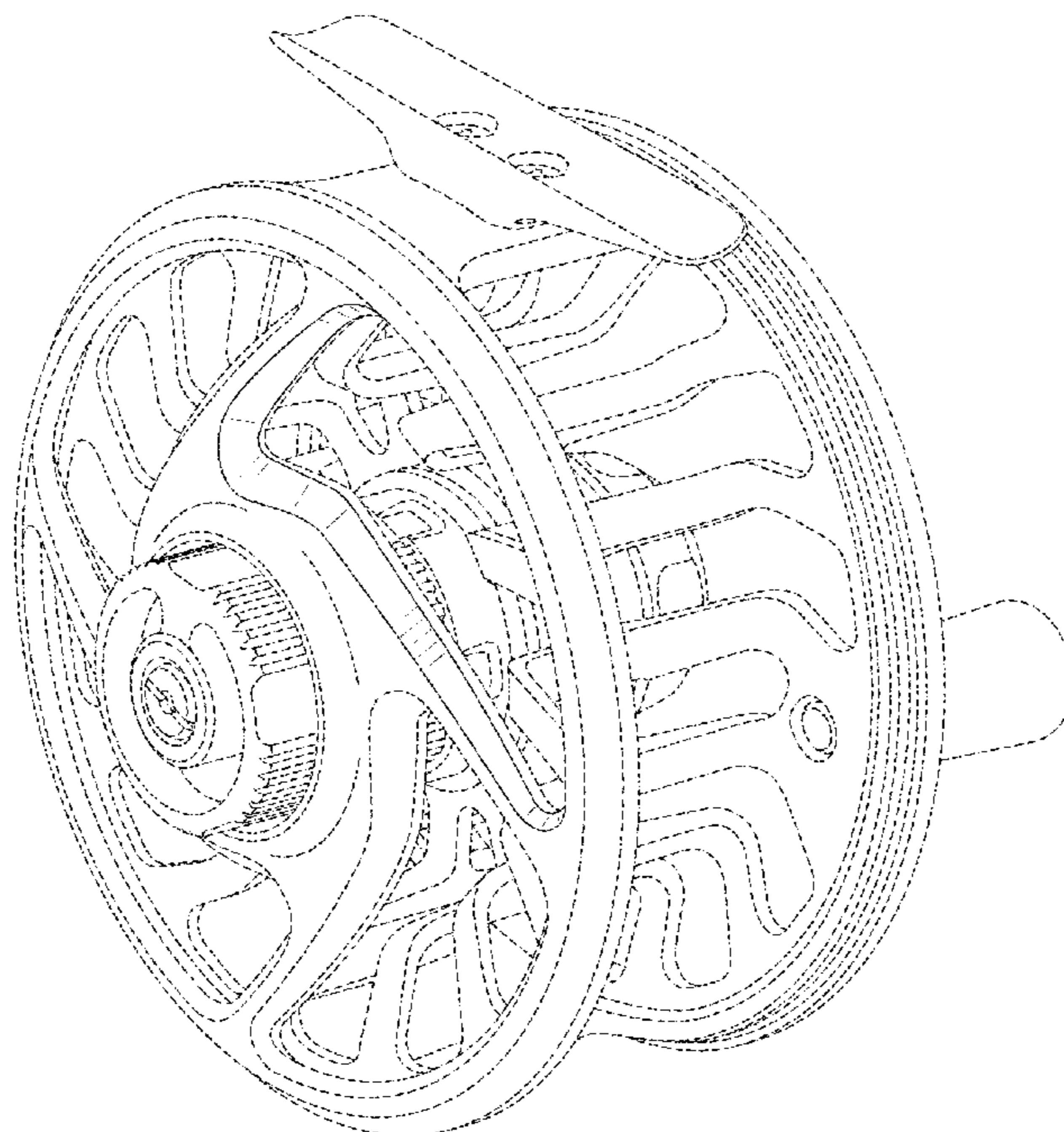
FIG. 1 is a perspective view of a fishing reel portion in accordance with our new design;
FIG. 2 is a first side elevational view of the fishing reel portion illustrated in FIG. 1;
FIG. 3 is a second side (opposite the first side) elevational view of the fishing reel portion illustrated in FIG. 1;
FIG. 4 is a top plan view of the fishing reel portion illustrated in FIG. 1;
FIG. 5 is a bottom plan view of the fishing reel portion illustrated in FIG. 1;
FIG. 6 is a first end elevational view of the fishing reel portion illustrated in FIG. 1; and,
FIG. 7 is a second end elevational view of the fishing reel portion illustrated in FIG. 1.
In the drawings, the broken line illustration of the environmental structure (the remaining structure of the fishing reel) in the drawings is not part of the claimed design. The broken line portion of the fishing reel spool does not form part of the claimed design.

(56) **References Cited**

U.S. PATENT DOCUMENTS

D515,656 S * 2/2006 Lepage D22/140
D558,299 S * 12/2007 Lepage D22/140
D581,008 S * 11/2008 Danielsson D22/140
D638,092 S * 5/2011 Heller D22/140
D676,523 S 2/2013 Halseth et al.
D712,006 S * 8/2014 Koelewyn D22/140

1 Claim, 5 Drawing Sheets



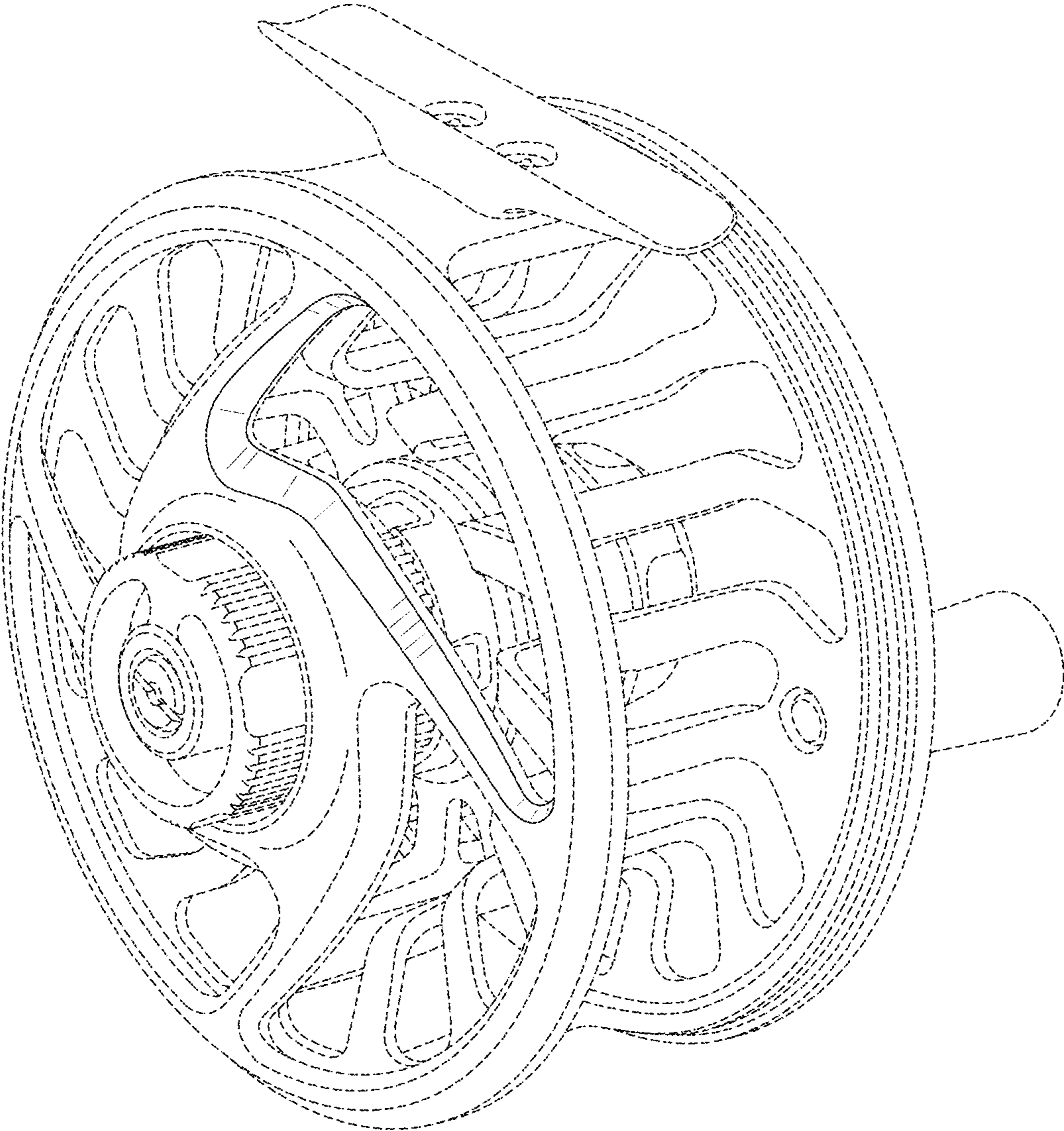


FIG. 1

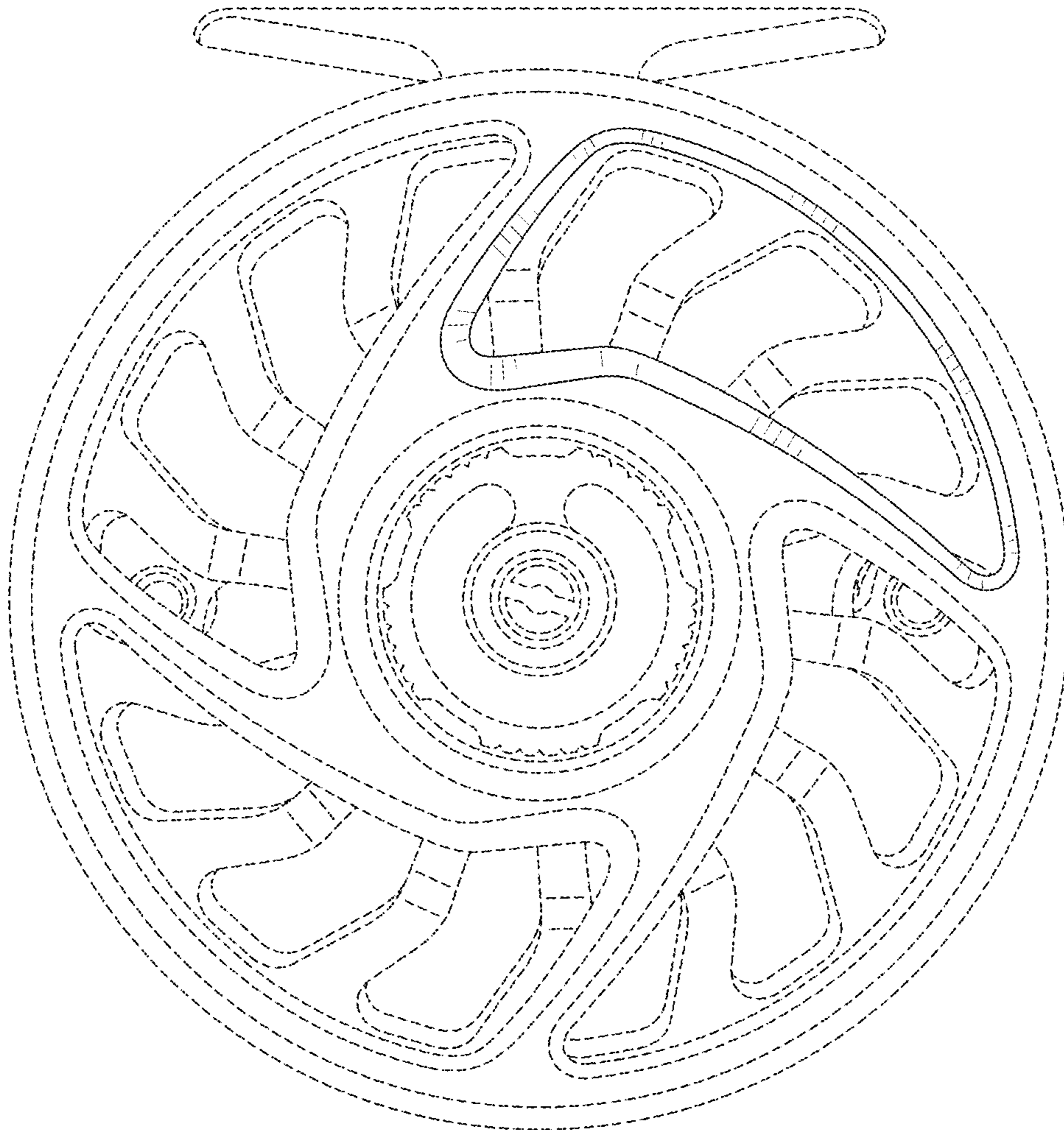


FIG. 2

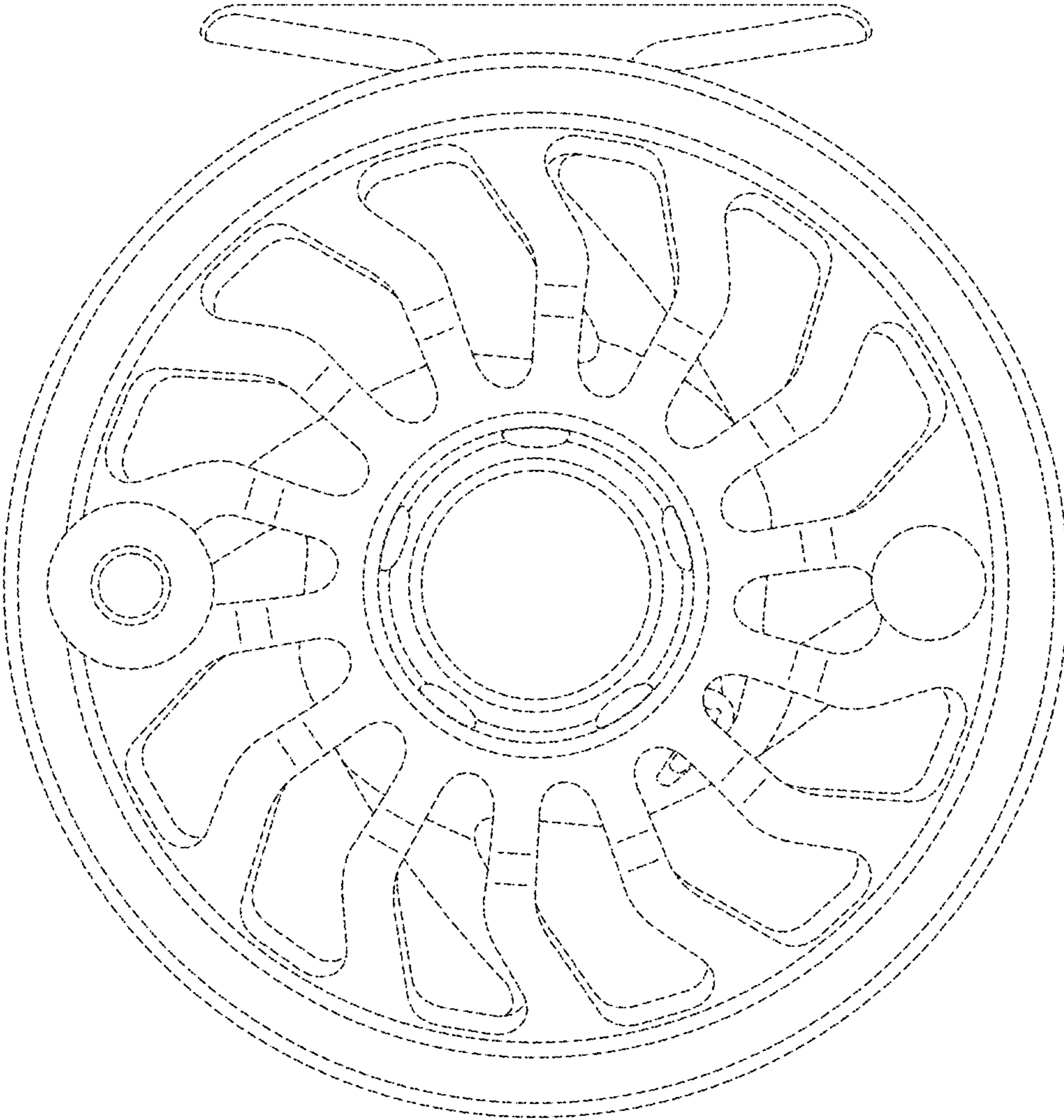


FIG. 3

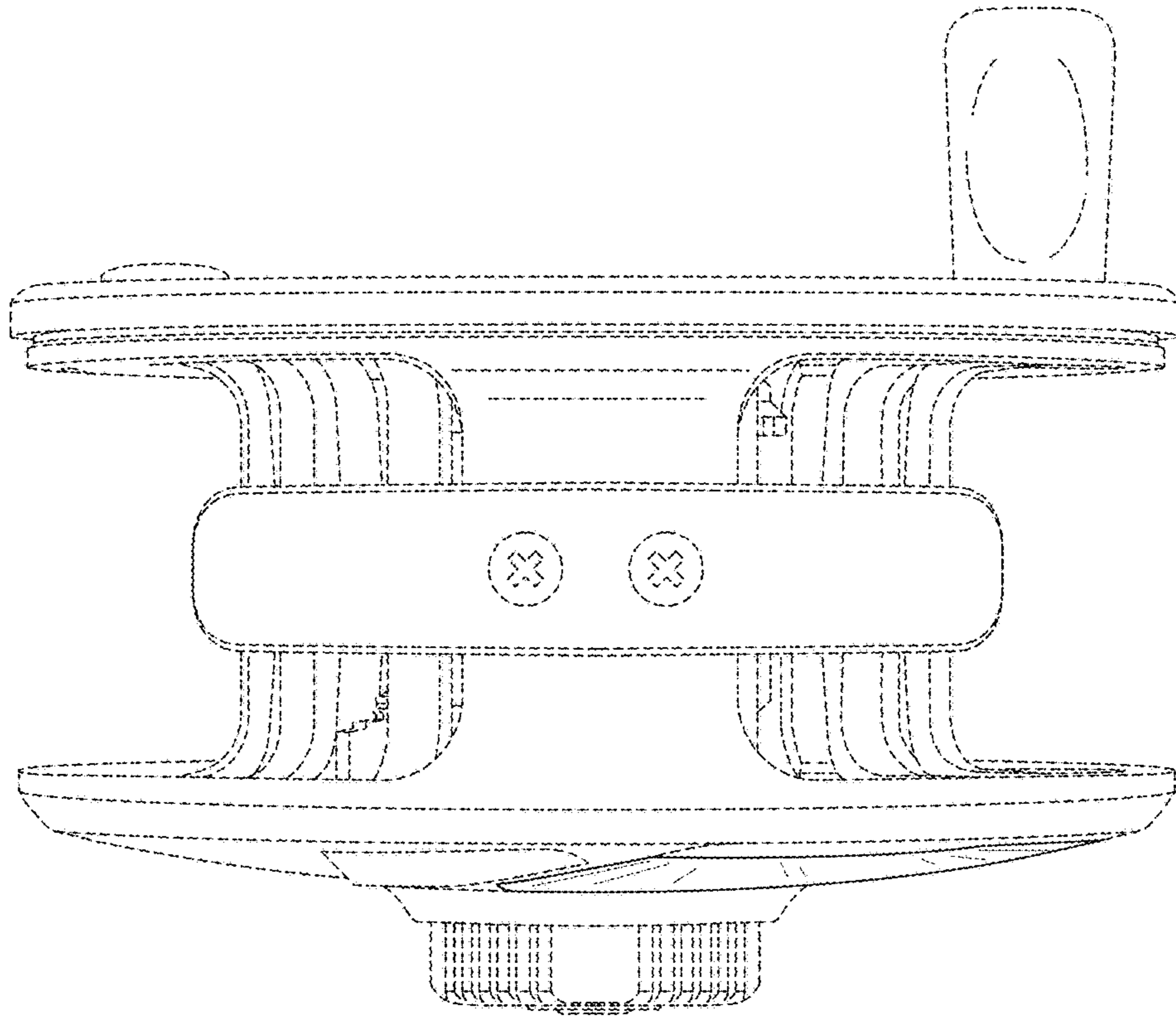


FIG. 4

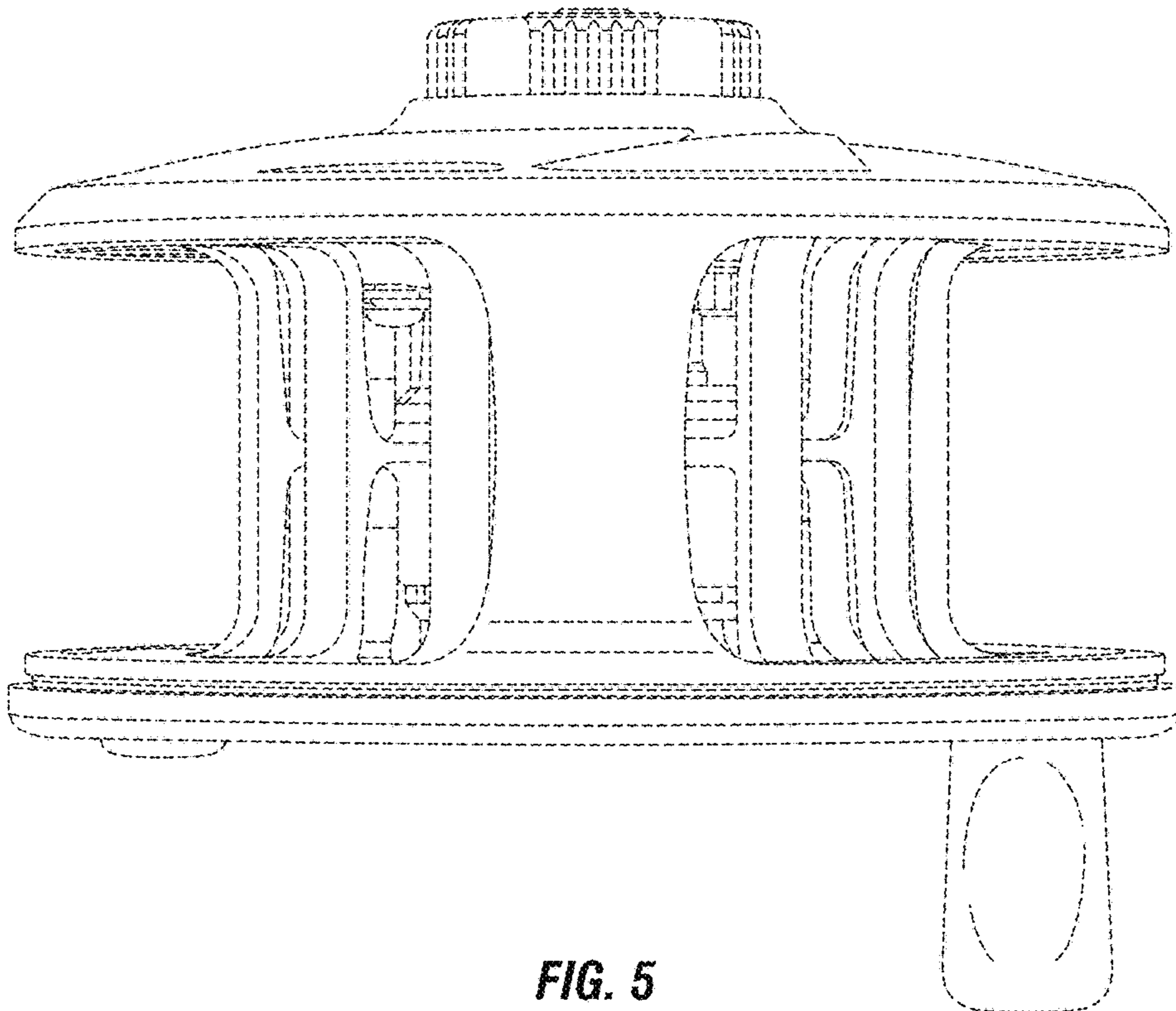


FIG. 5

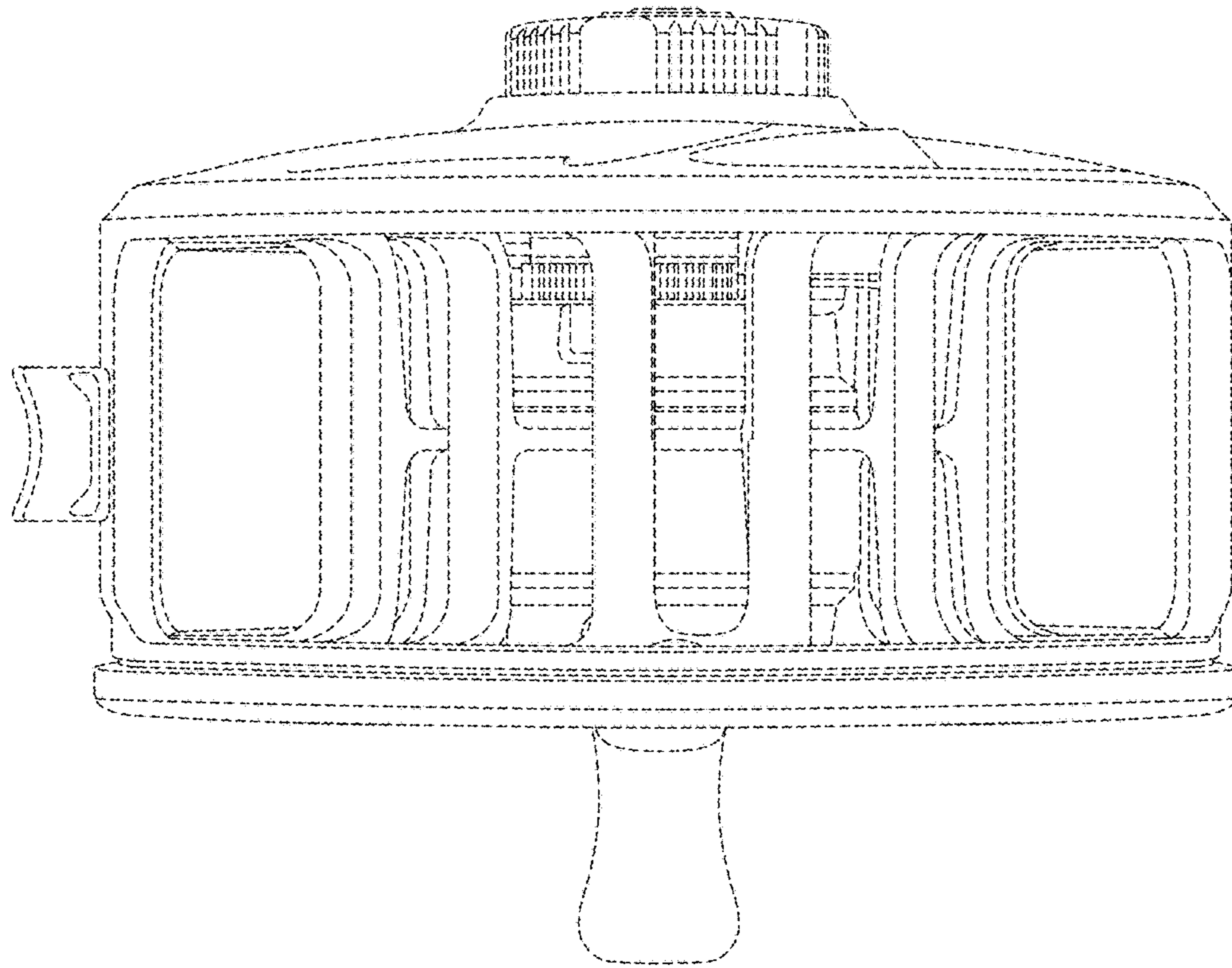


FIG. 7

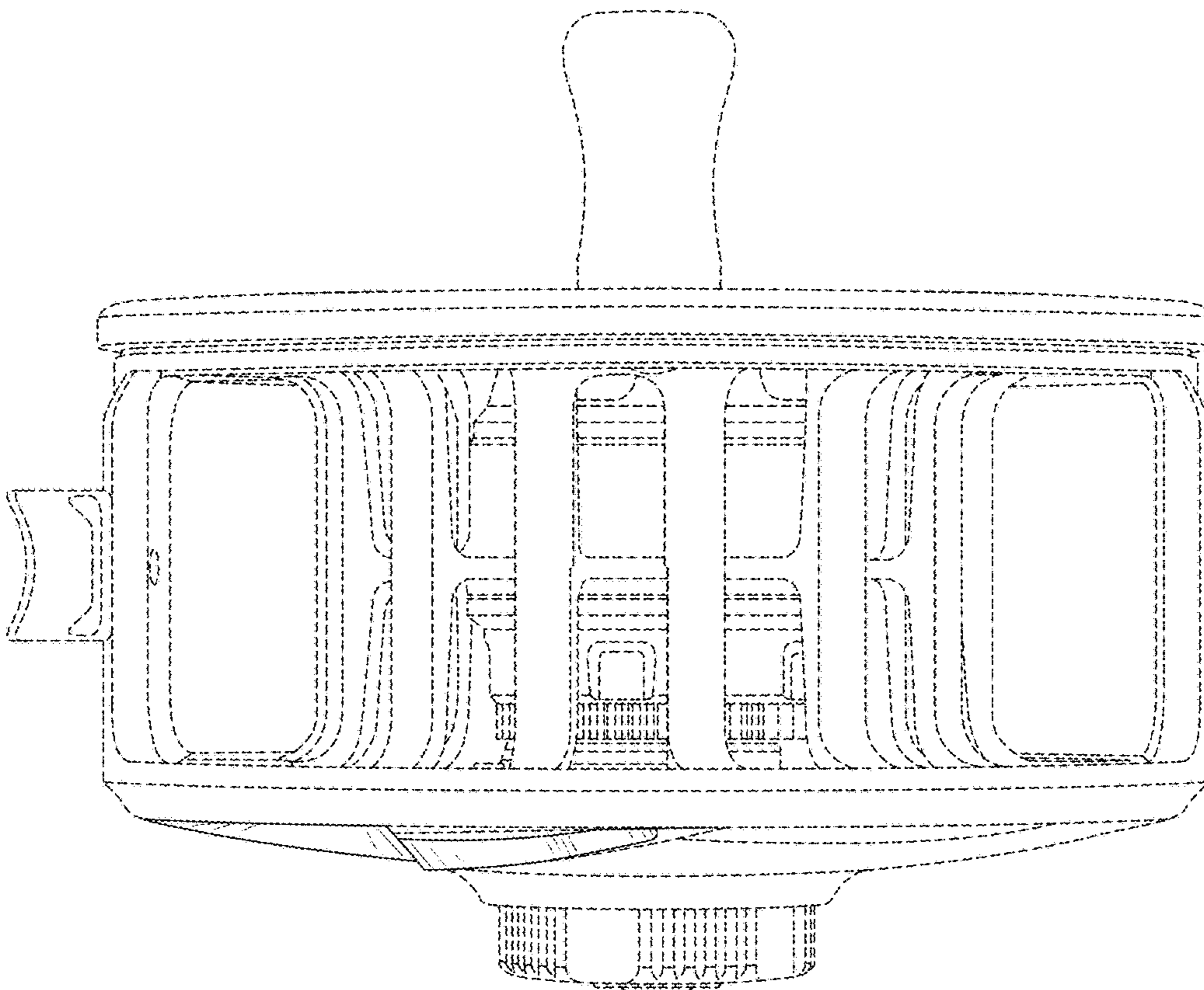


FIG. 6