



US00D781395S

(12) **United States Design Patent**
Nago et al.

(10) **Patent No.:** **US D781,395 S**
(45) **Date of Patent:** **** Mar. 14, 2017**

(54) **FISHING REEL**

D638,092 S * 5/2011 Heller D22/140
D676,523 S 2/2013 Halseth et al.
D712,006 S * 8/2014 Koelewyn D22/140

(71) Applicant: **Shimano Inc.**, Sakai, Osaka (JP)

(72) Inventors: **Akira Nago**, Osaka (JP); **Masakazu Iwabuchi**, Osaka (JP)

(73) Assignee: **Shimano Inc.**, Osaka (JP)

(**) Term: **15 Years**

(21) Appl. No.: **29/555,434**

(22) Filed: **Feb. 22, 2016**

(30) **Foreign Application Priority Data**

Nov. 17, 2015 (JP) 2015-025718

(51) **LOC (10) Cl.** **22-05**

(52) **U.S. Cl.**
USPC **D22/140**

(58) **Field of Classification Search**
USPC D22/137-141; 206/315.11; 242/118.3,
242/118.4, 118.7, 234-240, 303, 311,
242/317-323, 313

CPC A01K 89/00; A01K 89/01; A01K 89/016;
A01K 89/033; A01K 99/00

See application file for complete search history.

(56) **References Cited**

U.S. PATENT DOCUMENTS

D515,656 S * 2/2006 Lepage D22/140
D558,299 S * 12/2007 Lepage D22/140
D581,008 S * 11/2008 Danielsson D22/140

FOREIGN PATENT DOCUMENTS

JP 1476580 S 8/2013

* cited by examiner

Primary Examiner — Catheri Oliver-Garcia

(74) *Attorney, Agent, or Firm* — Global IP Counselors

(57) **CLAIM**

The ornamental design for fishing reel, as shown and described.

DESCRIPTION

FIG. 1 is a first perspective view of a fishing reel in accordance with my our design;

FIG. 2 is a second perspective view of the fishing reel illustrated in FIG. 1;

FIG. 3 is a first side elevational view of the fishing reel illustrated in FIG. 1;

FIG. 4 is a second side elevational view of the fishing reel illustrated in FIG. 1;

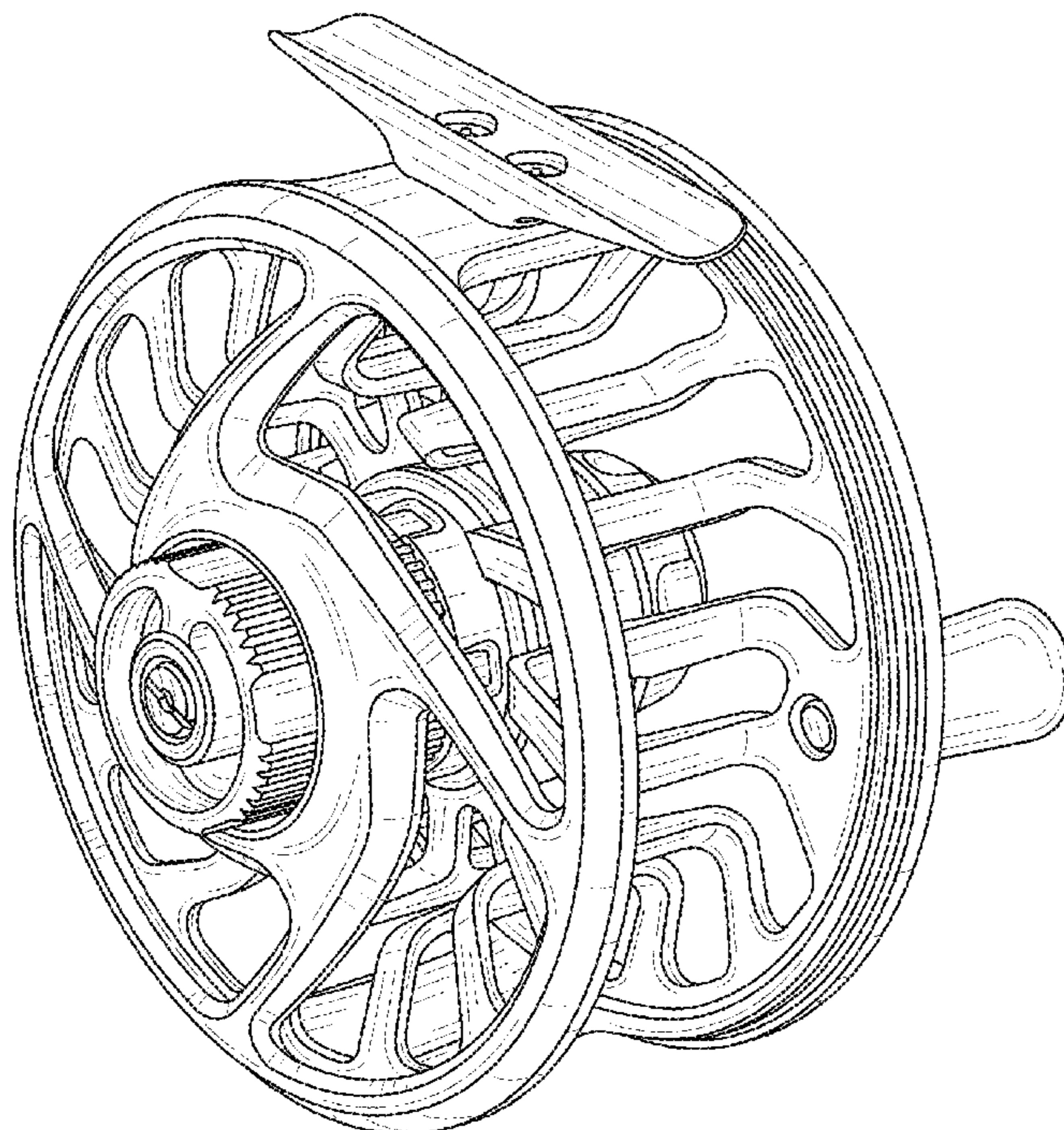
FIG. 5 is a top plan view of the fishing reel illustrated in FIG. 1;

FIG. 6 is a bottom plan view of the fishing reel illustrated in FIG. 1;

FIG. 7 is a first end elevational view of the fishing reel illustrated in FIG. 1; and,

FIG. 8 is a second end elevational view of the fishing reel illustrated in FIG. 1.

1 Claim, 6 Drawing Sheets



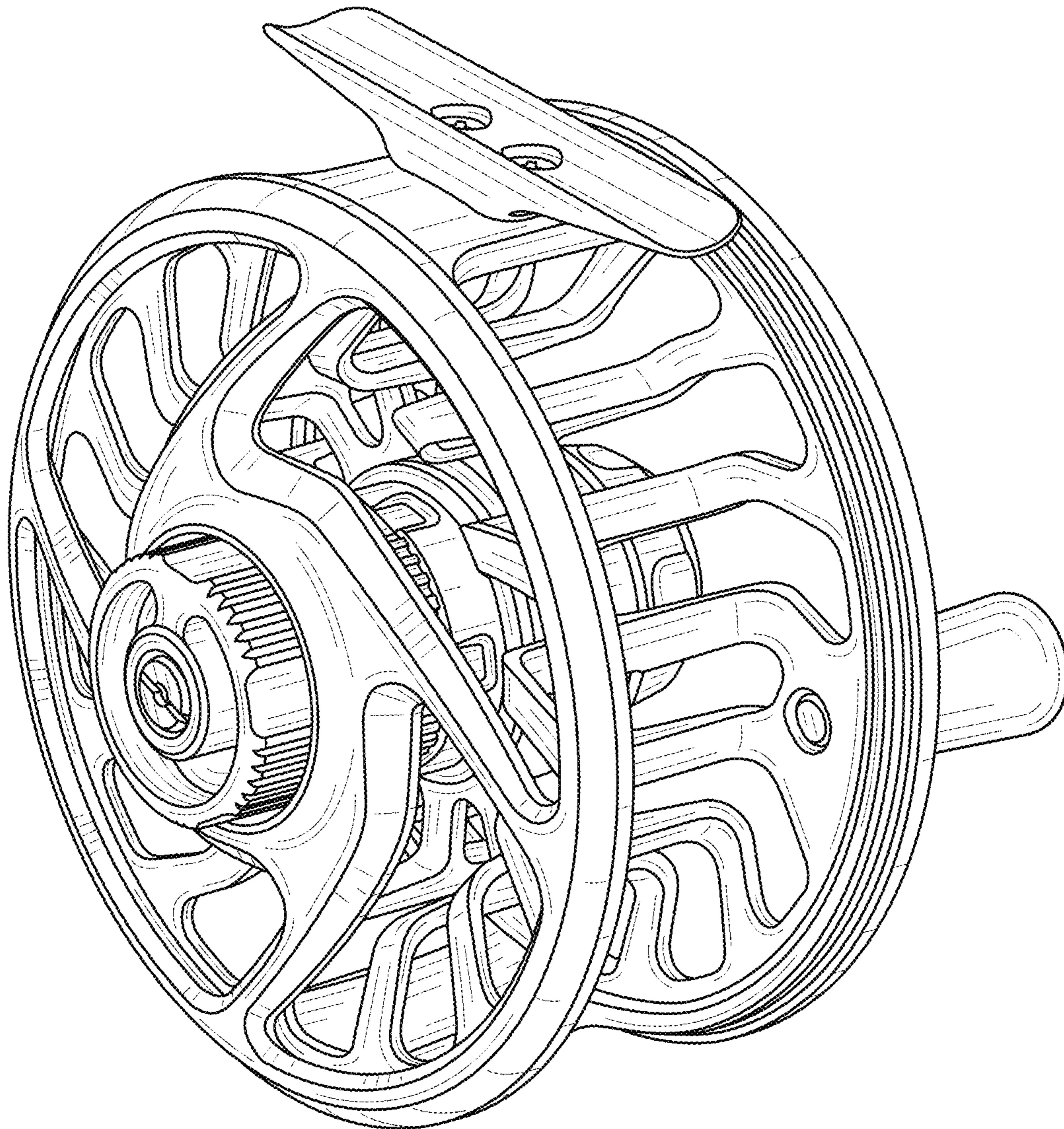


FIG. 1

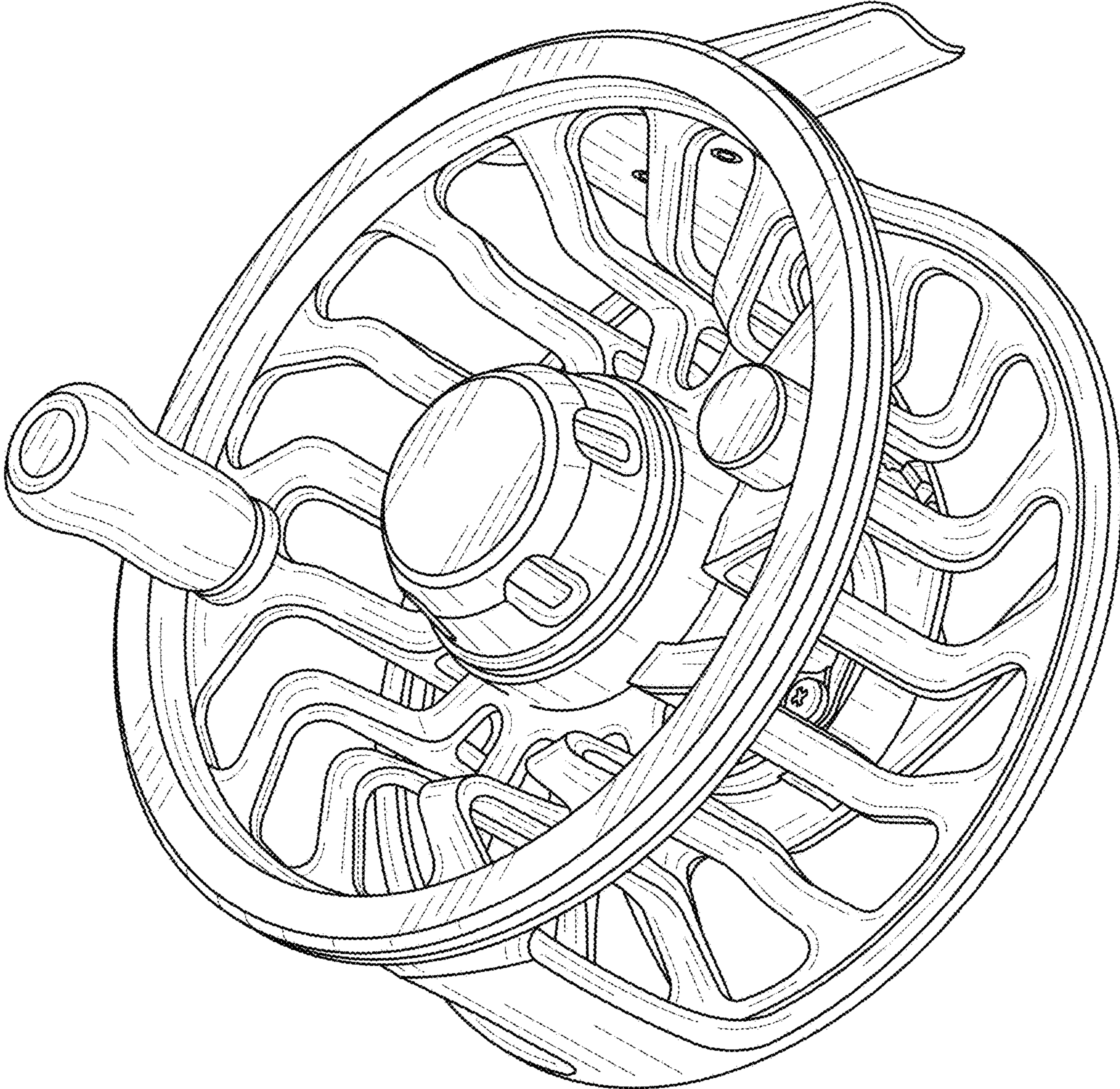


FIG. 2

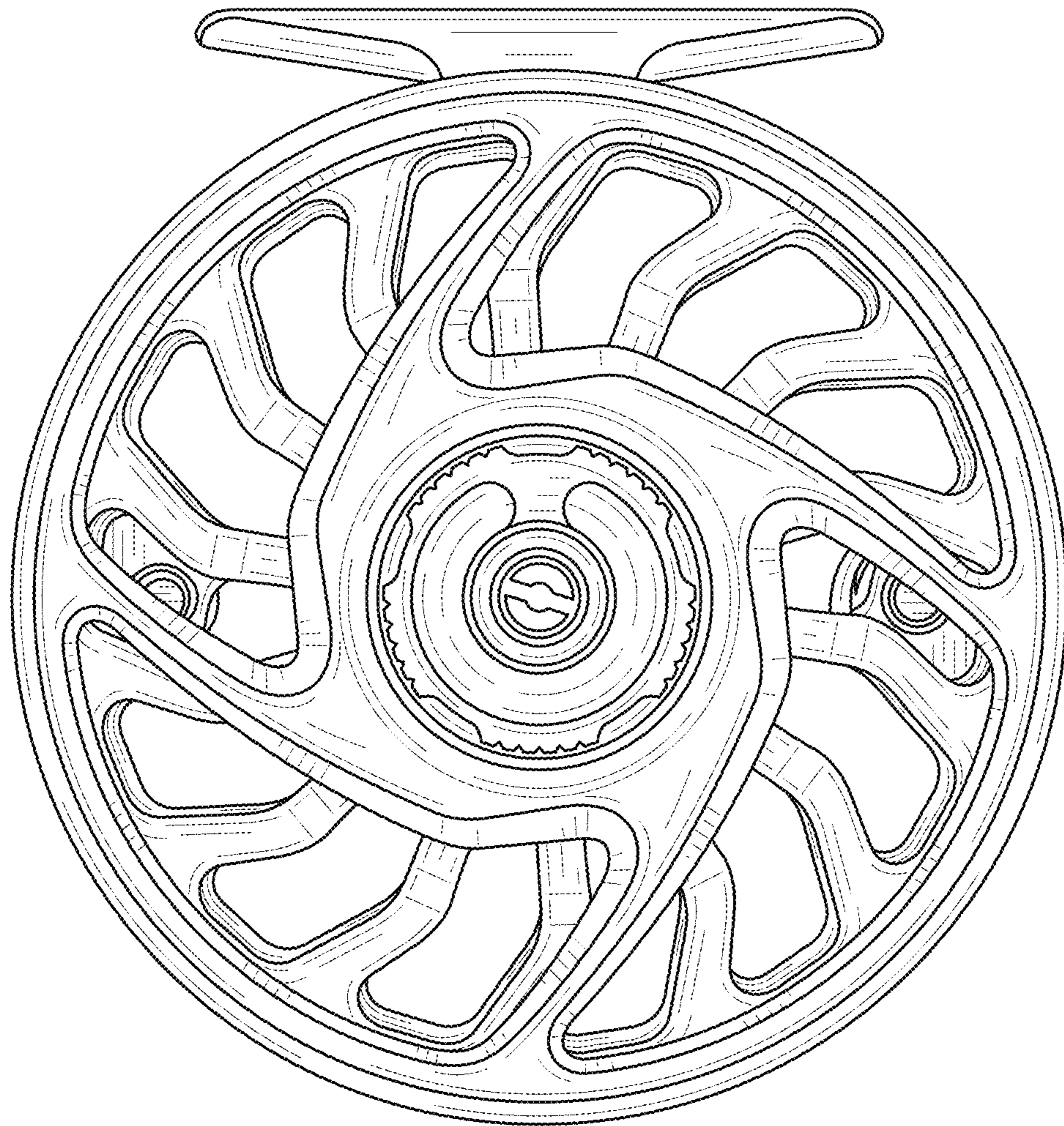


FIG. 3

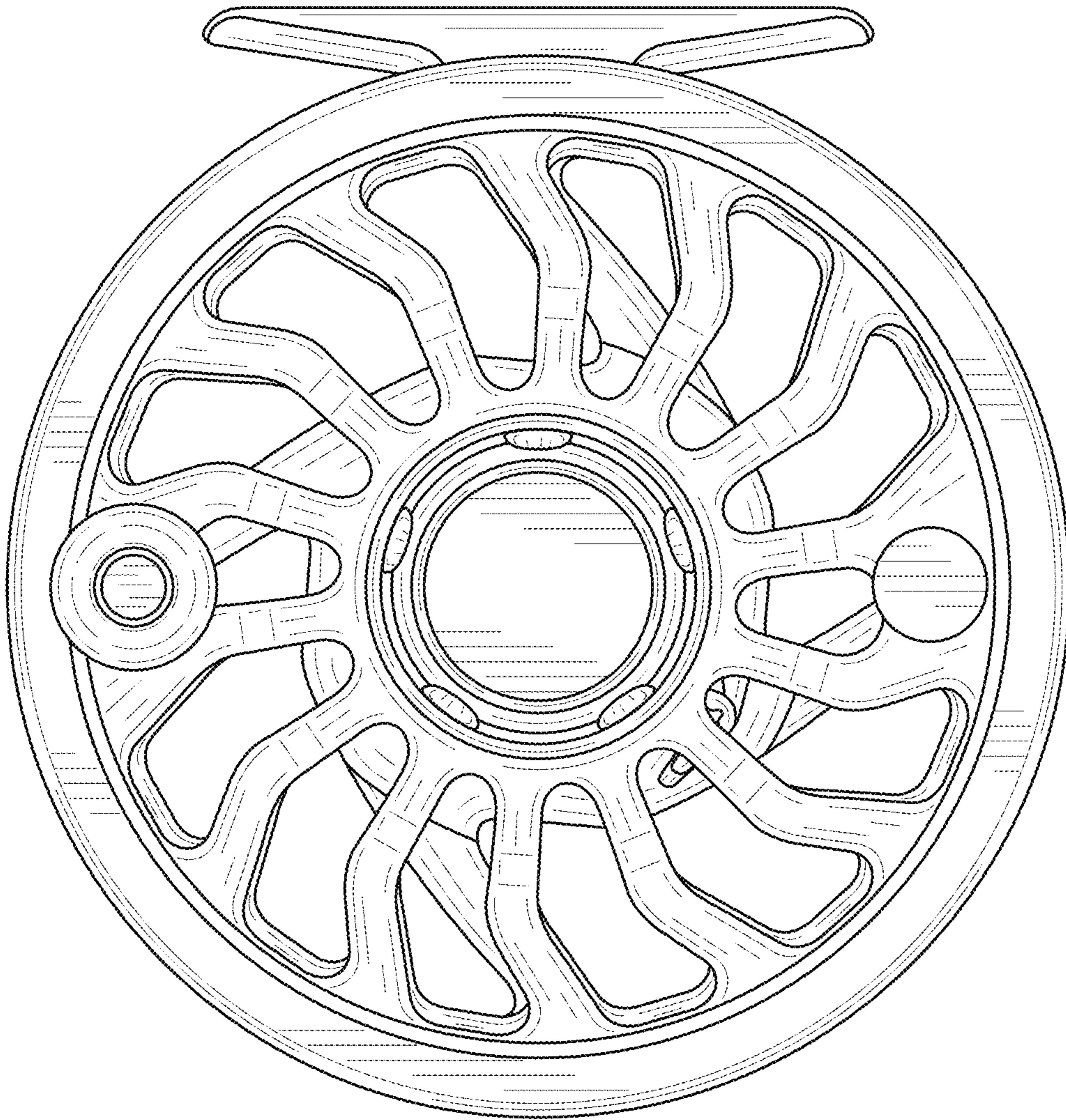


FIG. 4

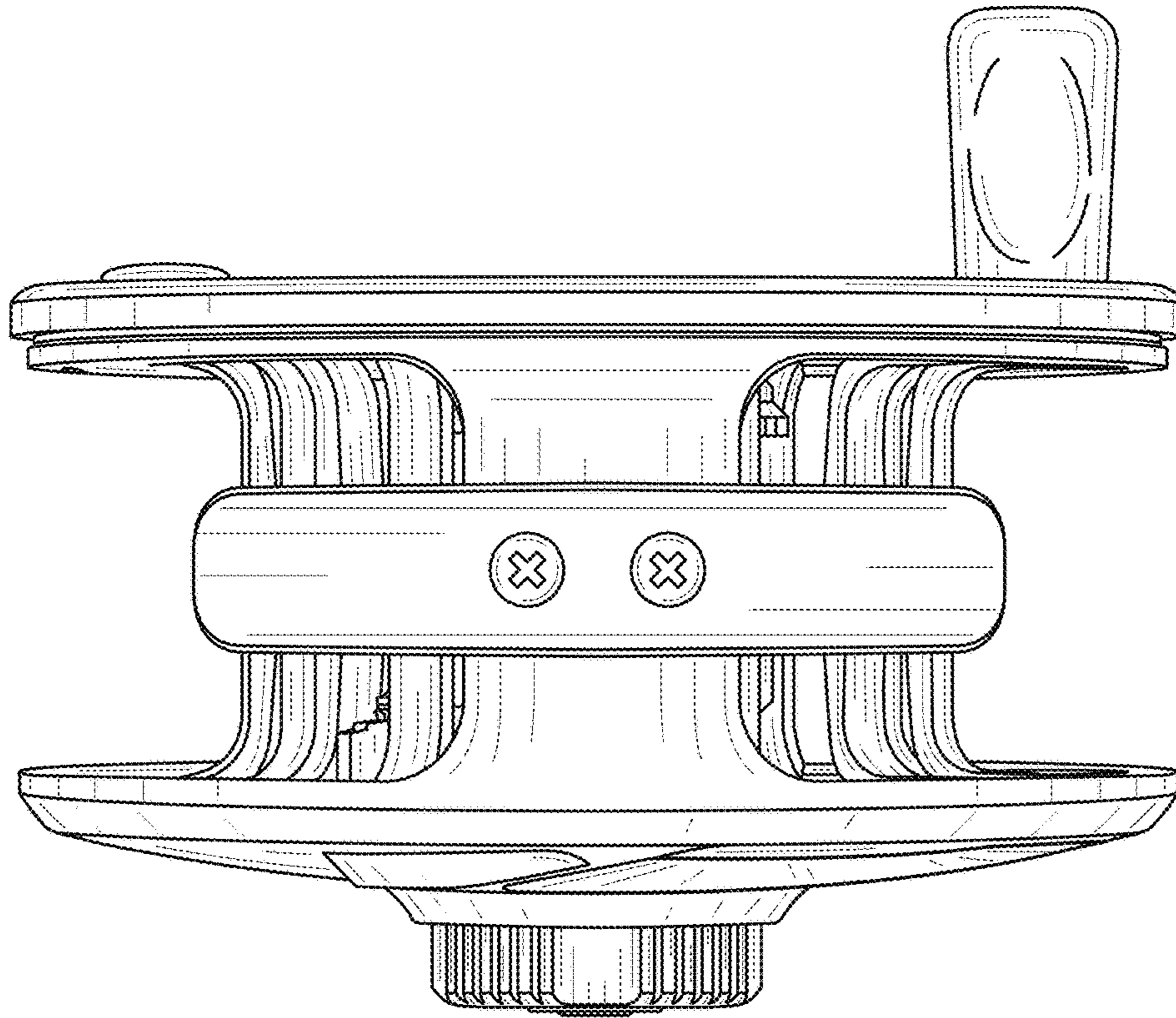


FIG. 5

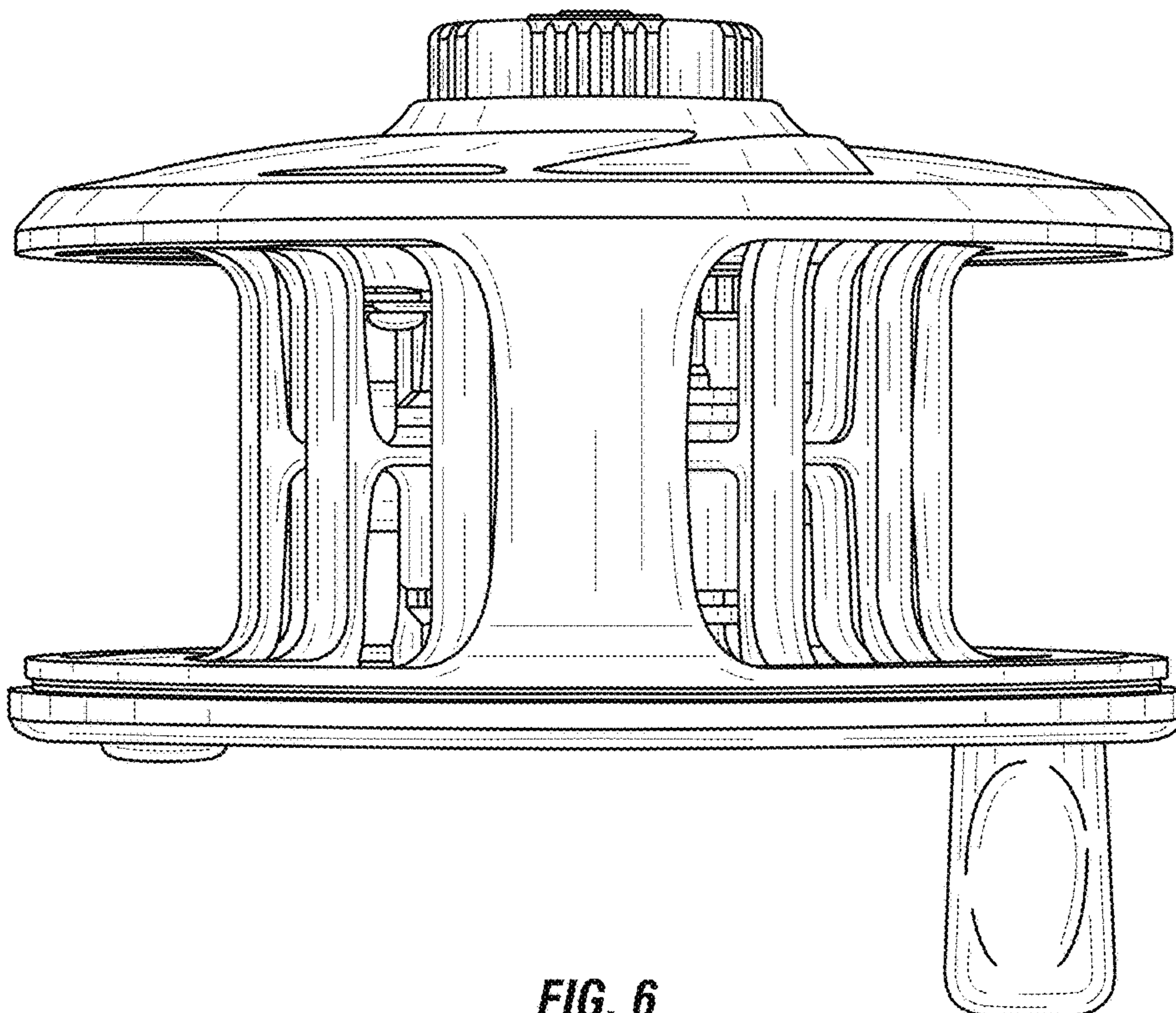


FIG. 6

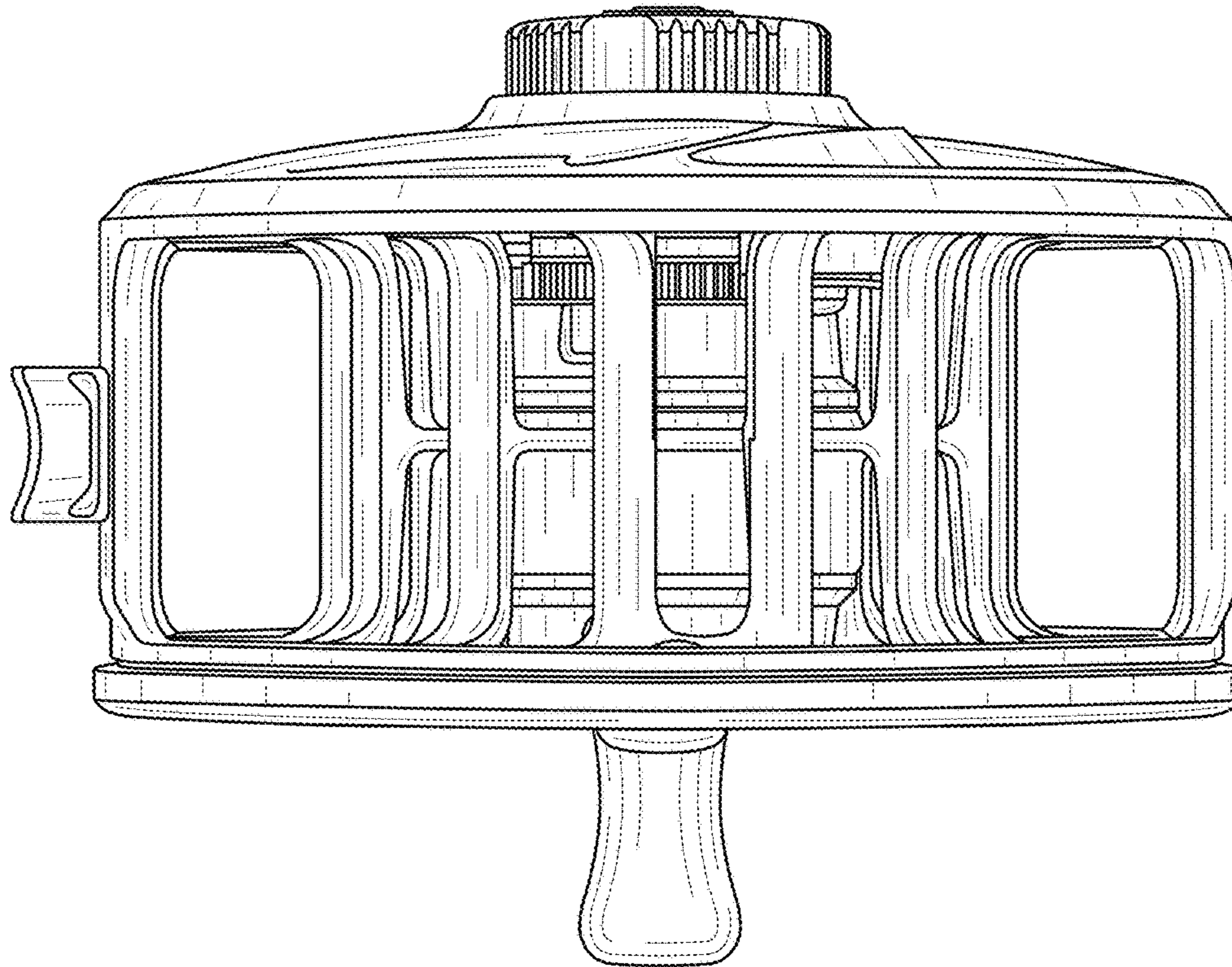


FIG. 8

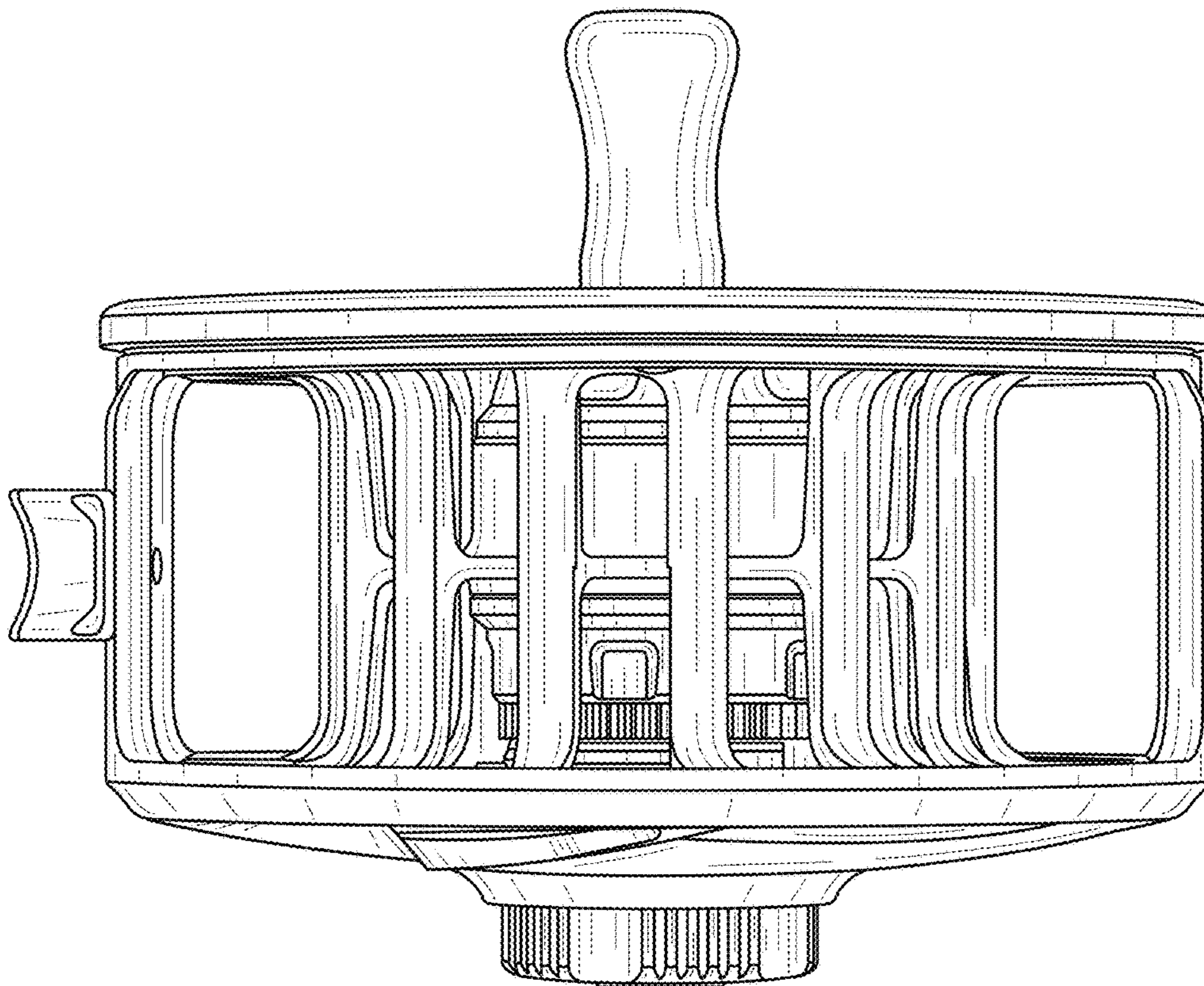


FIG. 7