



US00D781394S

(12) **United States Design Patent** (10) **Patent No.:** **US D781,394 S**  
**Bowers** (45) **Date of Patent:** **\*\* Mar. 14, 2017**

(54) **AMMUNITION CARTRIDGE FOR A FIREARM**

6,532,876 B1 3/2003 Ramirez et al.  
7,011,028 B1 3/2006 Emary  
7,086,336 B2 \* 8/2006 Smalley, Jr. .... F41A 21/12  
102/430

(71) Applicant: **William R. Bowers**, Dallas, GA (US)

7,311,046 B2 12/2007 Riess et al.

(72) Inventor: **William R. Bowers**, Dallas, GA (US)

7,380,502 B2 6/2008 Emary

7,458,322 B2 12/2008 Reynolds et al.

(\*\*) Term: **14 Years**

7,607,394 B2 10/2009 Cesaroni

D646,179 S \* 10/2011 Jansen ..... D22/116

(Continued)

(21) Appl. No.: **29/516,669**

**OTHER PUBLICATIONS**

(22) Filed: **Feb. 4, 2015**

<http://www.perfectunion.com/vb/thompson-center/95428-22-tcm.html>[May 24, 2016 6:22:42 AM].\*

(51) **LOC (10) Cl.** ..... **22-03**

(Continued)

(52) **U.S. Cl.**

USPC ..... **D22/116**

(58) **Field of Classification Search**

USPC ..... D22/115-116

CPC .... F42B 30/02; F42B 5/02; F42B 5/26; F42B

12/34; F42B 8/04; F42B 10/22; F42B

8/14; F41A 9/83; F41A 9/82; F41A 9/01;

F41A 9/09; F41A 9/86

See application file for complete search history.

*Primary Examiner* — Michael A Pratt

(74) *Attorney, Agent, or Firm* — Law Office of Arthur M. Antonelli, PLLC

(57) **CLAIM**

The ornamental design for an ammunition cartridge for a firearm, as shown and described.

(56) **References Cited**

**DESCRIPTION**

**U.S. PATENT DOCUMENTS**

3,614,816 A	10/1971	Weyhmuller et al.	
4,041,868 A	8/1977	Rayle et al.	
4,352,225 A	10/1982	Schreiber	
4,675,958 A	6/1987	Rosebaum et al.	
4,682,545 A *	7/1987	Jett, Jr. ....	F42B 5/36 102/430
4,732,073 A *	3/1988	Semon .....	F42B 33/04 15/104.2
5,221,806 A	6/1993	Chaney et al.	
5,435,223 A *	7/1995	Blodgett .....	F42B 33/04 86/38
5,979,331 A	11/1999	Casull	
6,050,169 A	4/2000	Voros	
6,293,203 B1 *	9/2001	Alexander .....	F42B 5/025 102/430

FIG. 1 is a top, front, right side perspective view of an ammunition cartridge for a firearm in accordance with my new design;

FIG. 2 is top, rear, left side perspective view thereof;

FIG. 3 is a front view thereof;

FIG. 4 is a rear view thereof;

FIG. 5 is a left side view thereof;

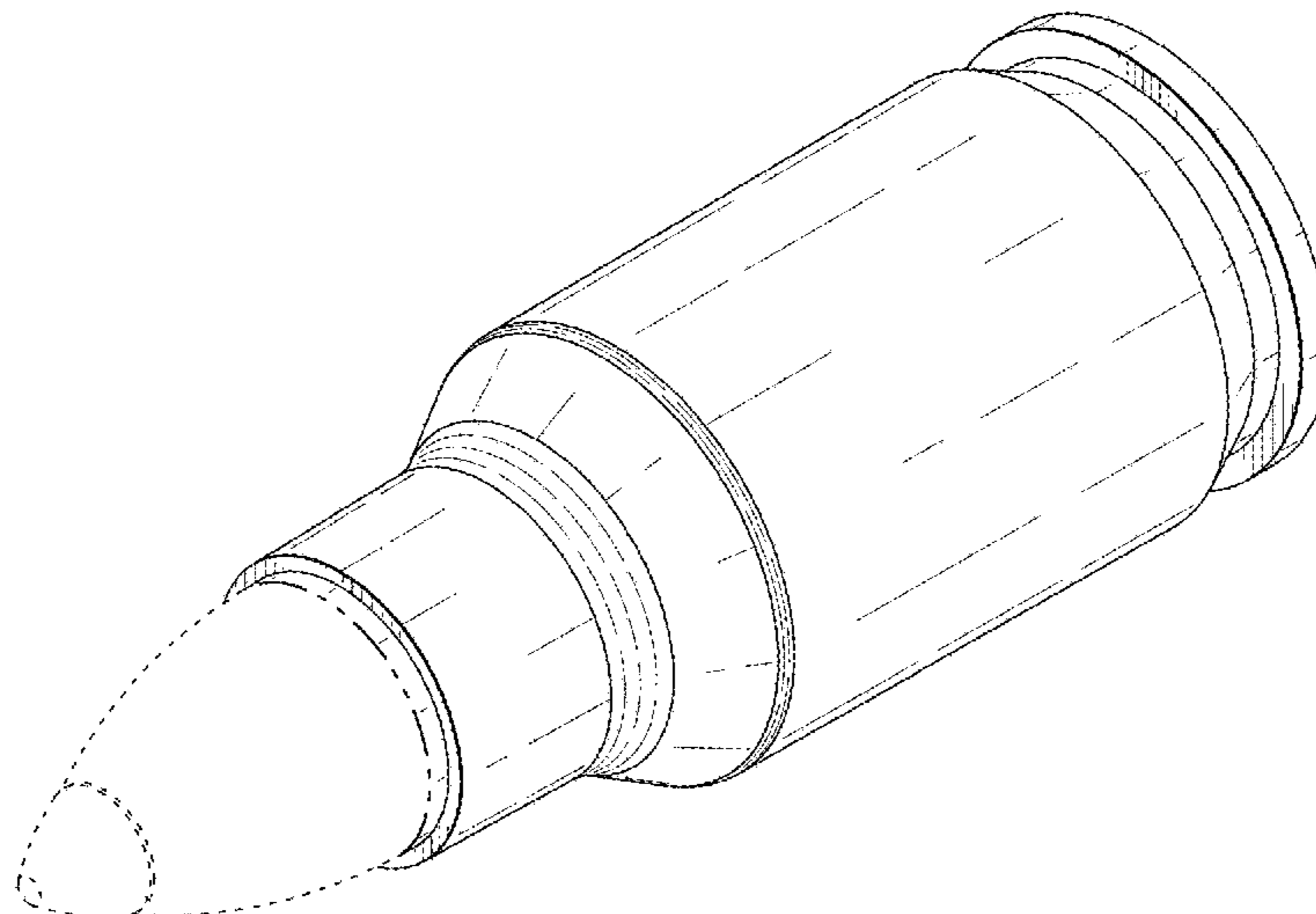
FIG. 6 is a right side view thereof;

FIG. 7 is a top view thereof; and,

FIG. 8 is a bottom view thereof.

All portions shown in broken lines are environmental and illustrative only and form no part of the claimed design.

**1 Claim, 4 Drawing Sheets**



(56)

References Cited

U.S. PATENT DOCUMENTS

D647,160 S \* 10/2011 Johansson ..... D22/115  
 8,176,850 B2 5/2012 Thompson et al.  
 D664,042 S \* 7/2012 Kurpis ..... D22/116  
 8,381,655 B2 2/2013 Swingley  
 8,413,587 B2 4/2013 Emary  
 8,443,729 B2 5/2013 Mittelstaedt  
 8,448,575 B2 5/2013 Goddard  
 D707,785 S \* 6/2014 Seecamp ..... D22/116  
 8,813,650 B2 8/2014 Maljkovic et al.  
 D753,259 S \* 4/2016 Masinelli ..... D22/116  
 D755,916 S \* 5/2016 O'Sullivan ..... D22/115  
 2006/0248773 A1 \* 11/2006 Kightlinger ..... F42B 5/025  
 42/77  
 2015/0330731 A1 \* 11/2015 Kolev ..... F41A 3/12  
 42/25

OTHER PUBLICATIONS

<http://www.perfectionunion.com/...attachments/thompson-center/24138d1370735274-22-tcm-22-tcm-shot-15-inch-mgm-barrel.jpg>[May 24, 2016 6:21:16 AM].\*

<http://www.iaaforum.org/forum3/viewtopic.php?f=8&t=11785>[May 24, 2016 6:30:39 AM].\*  
[http://forums.handloads.com/forum\\_J\)05ts.asp?TID=32097](http://forums.handloads.com/forum_J)05ts.asp?TID=32097) Jan. 2010.\*  
 "Introducing the 22 TCM 9R Cartridge and TCM Conversion for Glock Pistols," Armscor.com, 2015, pp. 2, [retrieved on Mar. 18, 2015] Retrieved from the Internet.  
 "Hornady 2015 Product Catalog," 2015, pp. 104, Homady PO Box 1848, Grand Island, NE 68802-1848.  
 "Nosier, Up Front, 2015 Catalog," 2015, pp. 115, Nosier 107 S.W. Columbia St. Bend, OR 97702.  
 "Clymer Precision Tools, Product Catalog," undated, pp. 36, Clymer Precision Tools 1605 West Hamlin Rd., Rochester Hills, MI 48309.  
 "Cartridge Comparison Guide," 2014, pp. 4, www.Cartridge Comparison Guide.com.  
 ANSI/SAAMI Z299.3-1993, pp. 2, Sporting Arms & Ammunition Manufacturer's Institute Inc. 11 Mile Hill Road, Newtown, CT 06470.  
 ANSI/SAAMI Z299.4-1992, pp. 1, Sporting Arms & Ammunition Manufacturer's Institute Inc. 11 Mile Hill Road, Newtown, CT 06470.

\* cited by examiner

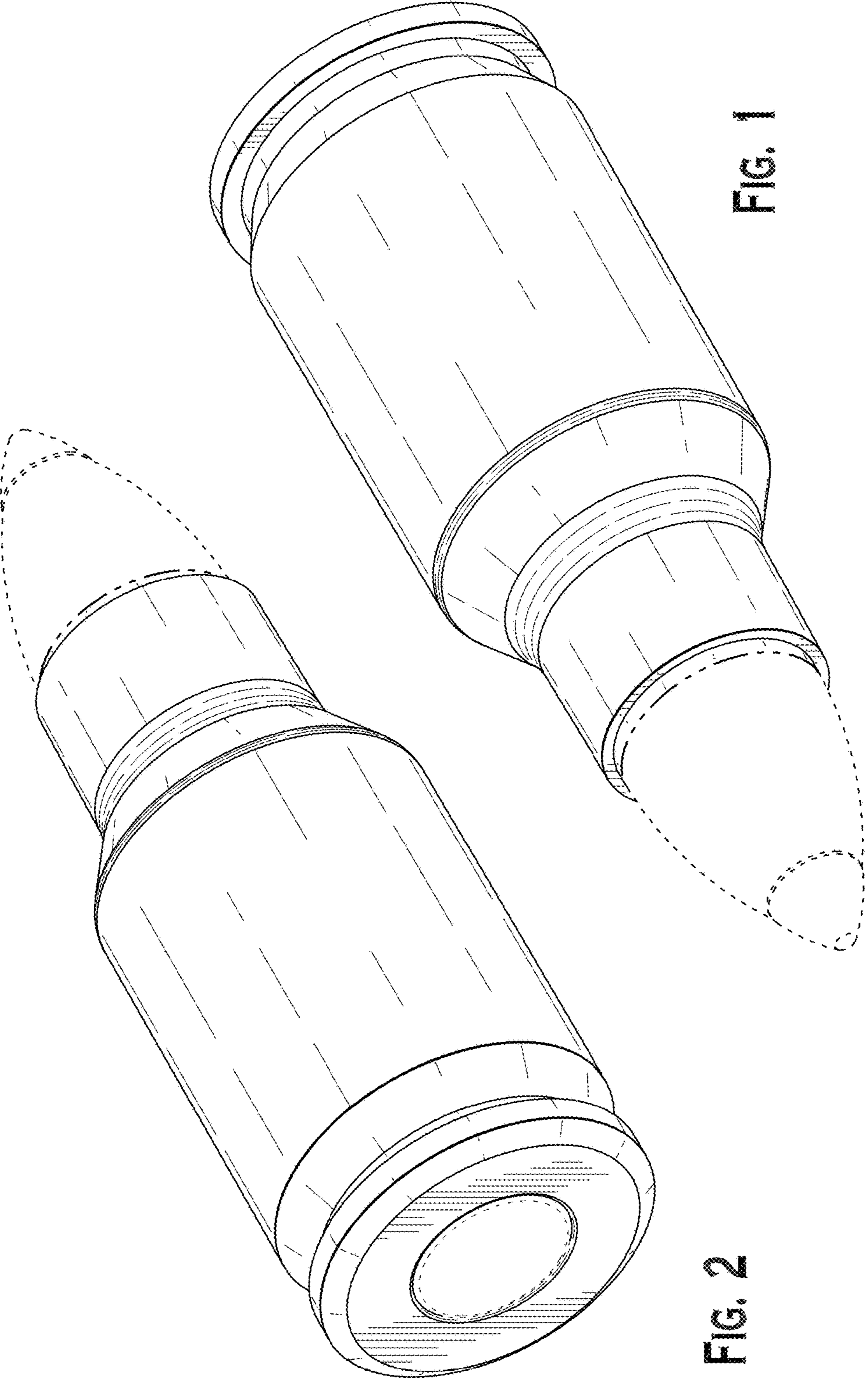


FIG. 1

FIG. 2

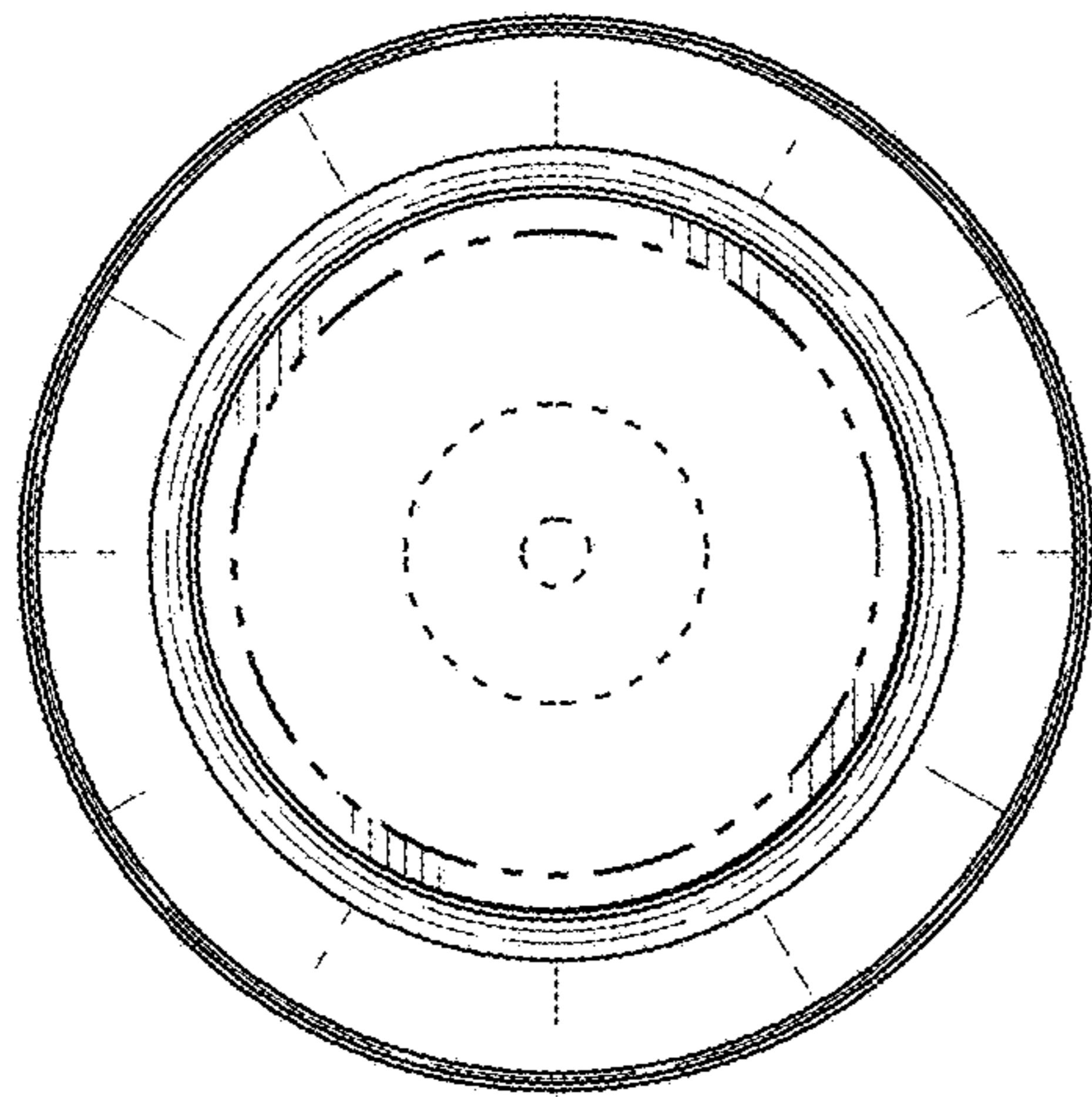


FIG. 3

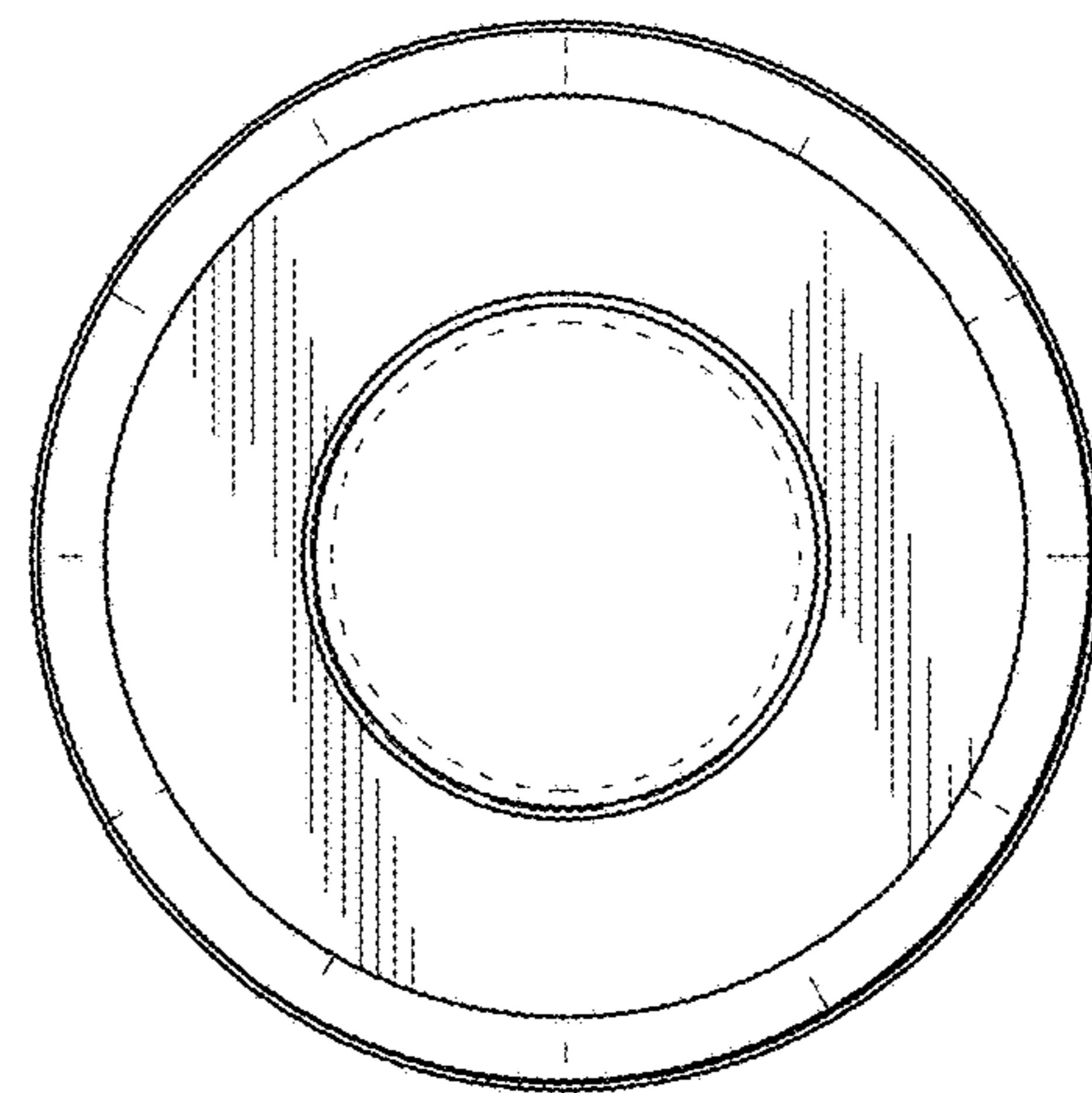


FIG. 4

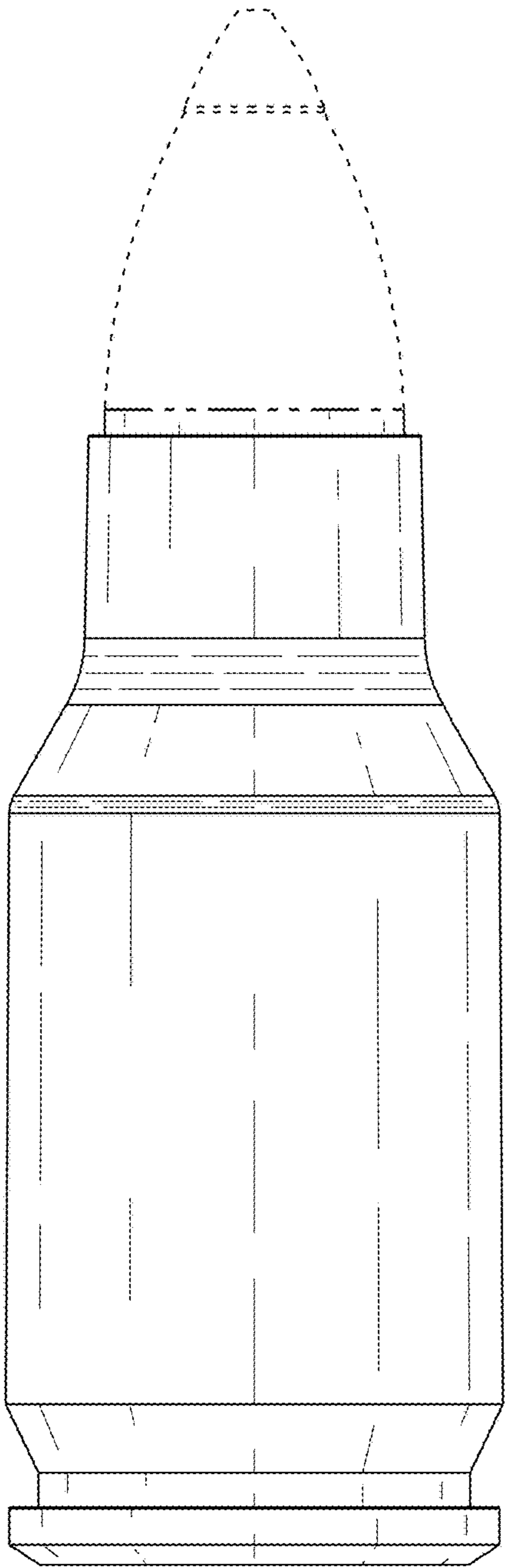


FIG. 5

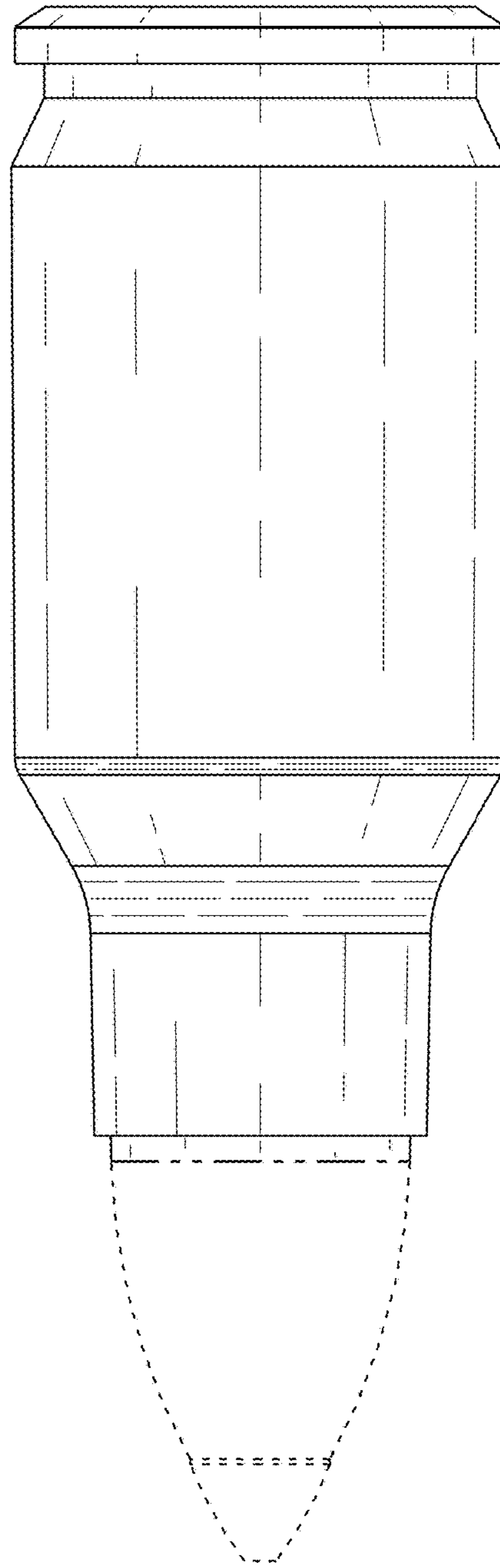


FIG. 6

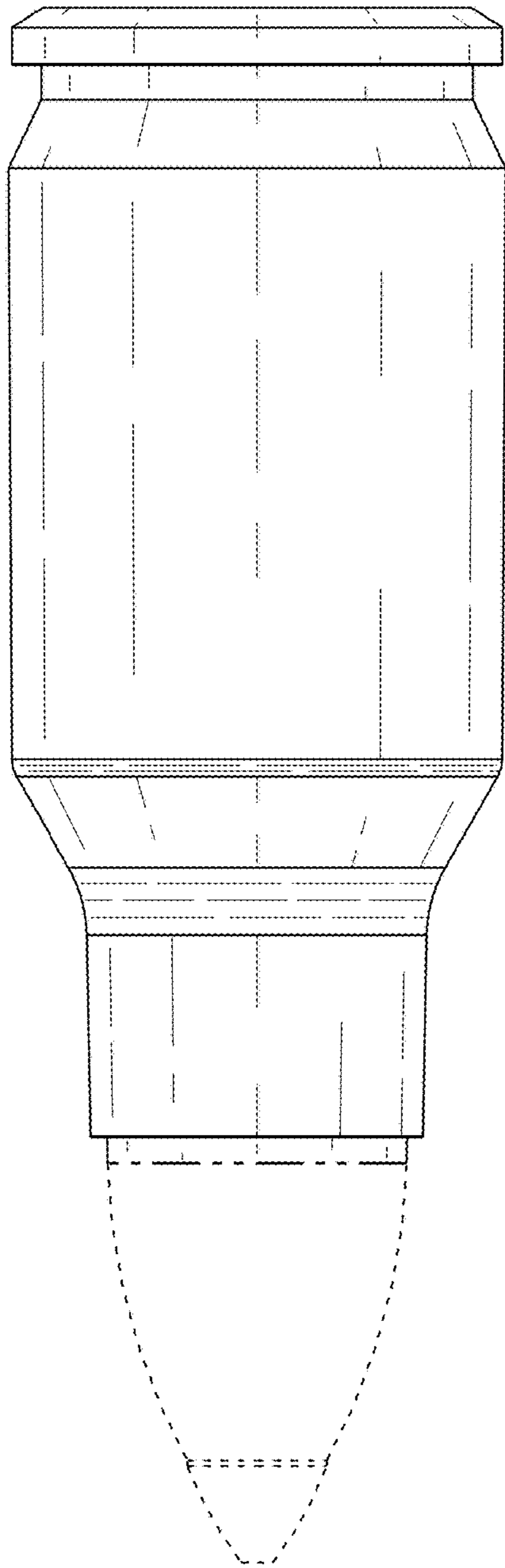


FIG. 7

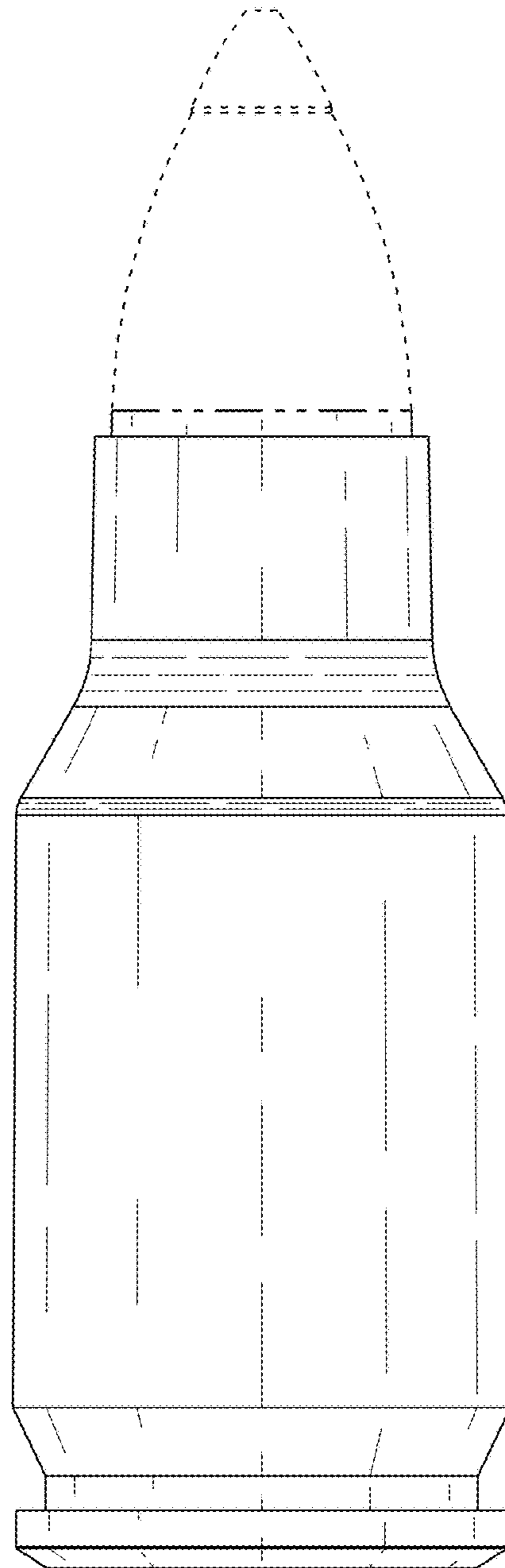


FIG. 8