



US00D781392S

(12) **United States Design Patent**
Zayatz et al.

(10) **Patent No.:** **US D781,392 S**
(45) **Date of Patent:** **** Mar. 14, 2017**

(54) **ADJUSTABLE BUTTSTOCK FOR A FIREARM**

(71) Applicant: **Magpul Industries Corporation**,
Louisville, CO (US)

(72) Inventors: **Richard A. Zayatz**, Longmont, CO
(US); **Yehezkel Eitan**, Johnstown, CO
(US); **Jonathan Canipe**, Erie, CO
(US); **Eric S. Nakayama**, Broomfield,
CO (US)

(73) Assignee: **Magpul Industries Corporation**,
Louisville, CO (US)

(**) Term: **15 Years**

(21) Appl. No.: **29/551,197**

(22) Filed: **Jan. 11, 2016**

(51) **LOC (10) Cl.** **22-01**

(52) **U.S. Cl.**
USPC **D22/108**

(58) **Field of Classification Search**
USPC D22/108, 103, 109, 100, 101, 104, 105,
D22/110; D21/401, 461, 567, 568,
(Continued)

(56) **References Cited**

U.S. PATENT DOCUMENTS

922,173 A 5/1909 Lovelace
1,032,628 A 7/1912 Sherman
(Continued)

OTHER PUBLICATIONS

UBR Collapsible Stock, Magpul, [online], [site visited Sep. 30,

2016]. <URL: <https://www.magpul.com/products/firearms-accessories/buttstocks/ubr-collapsible-stock>>.*

(Continued)

Primary Examiner — T. Chase Nelson

Assistant Examiner — Jonathan J Han

(74) *Attorney, Agent, or Firm* — Swanson & Bratschun,
L.L.C.

(57) **CLAIM**

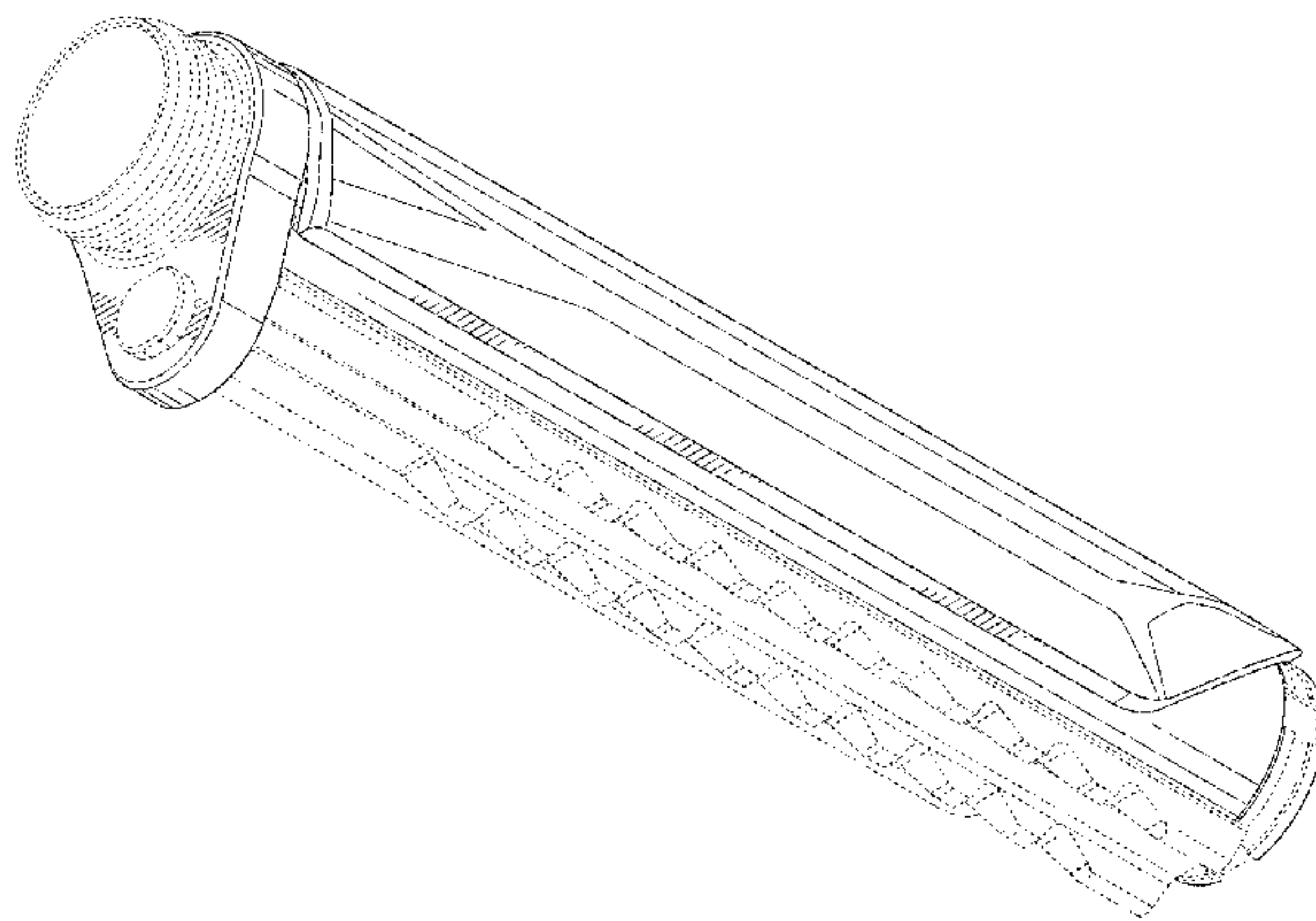
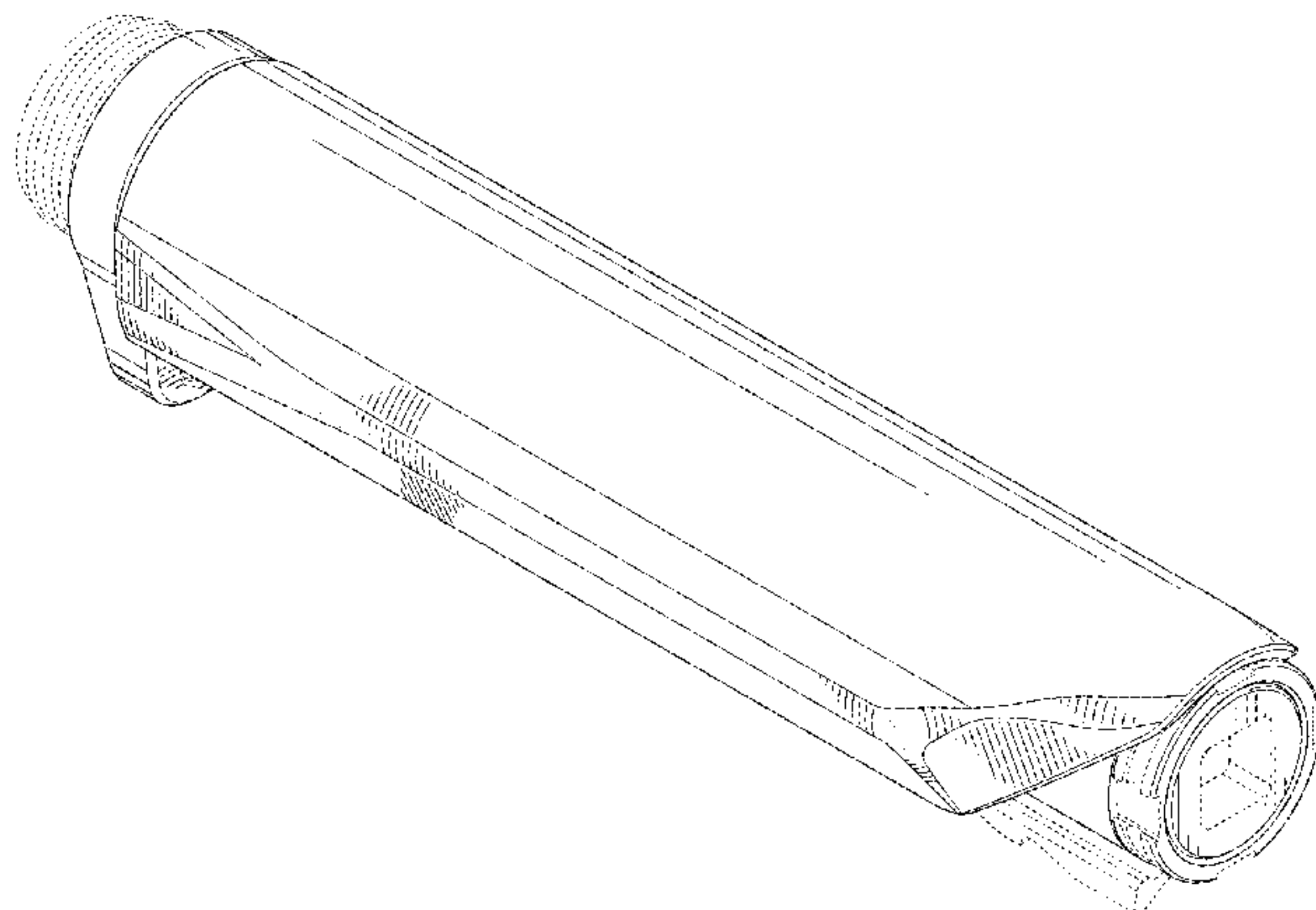
The ornamental design for an adjustable buttstock for a firearm, as shown and described.

DESCRIPTION

FIG. 1 is a left, rear, top perspective view of an adjustable buttstock for a firearm showing our new design; FIG. 2 is a left, front, bottom perspective view of the adjustable buttstock for a firearm of FIG. 1; FIG. 3 is a right side elevation view of the adjustable buttstock for a firearm of FIG. 1; FIG. 4 is a left side elevation view of the adjustable buttstock for a firearm of FIG. 1; FIG. 5 is a front elevation view of the adjustable buttstock for a firearm of FIG. 1; FIG. 6 is a rear elevation view of the adjustable buttstock for a firearm of FIG. 1; FIG. 7 is a top plan view of the adjustable buttstock for a firearm of FIG. 1; and, FIG. 8 is a bottom plan view of the adjustable buttstock for a firearm of FIG. 1.

The broken lines showing portions of the design in all figures are included for the purpose of illustrating environment and unclaimed features and form no part of the claimed design. In some instances the broken ones indicate a boundary line and the unshaded surfaces within the boundary line form no part of the claimed design.

1 Claim, 5 Drawing Sheets



(58) **Field of Classification Search**
 USPC ... D21/570-575; 124/16, 26, 27, 28, 29, 54,
 124/73-77; 222/78, 79; 42/54, 57, 58,
 42/71.01, 72, 73, 74, 75.03, 90; 446/23,
 446/182, 192, 401, 403, 405-407, 473,
 446/475
 CPC F41C 23/00; F41C 23/02; F41C 23/04;
 F41C 23/06; F41C 23/08; F41C 23/10;
 F41C 23/12; F41C 23/14; F41C 23/16;
 F41C 23/18; F41C 23/20; F41C 23/22
 See application file for complete search history.

(56) **References Cited**

U.S. PATENT DOCUMENTS

1,651,299 A 11/1927 Stansel
 3,348,328 A * 10/1967 Roy F41C 23/04
 42/73
 3,618,249 A 11/1971 Grandy
 3,710,496 A 1/1973 Packmayr
 D241,836 S 10/1976 Ruger
 4,120,108 A 10/1978 Vickers
 4,122,623 A 10/1978 Stice
 4,203,243 A 5/1980 Hickman
 4,383,384 A * 5/1983 Fox F41C 23/04
 42/72
 4,589,219 A 5/1986 Milliman
 4,663,877 A 5/1987 Bragg
 D297,855 S 9/1988 Ruger
 4,788,785 A 12/1988 White
 4,896,446 A 1/1990 Gregory
 5,031,348 A 7/1991 Carey
 5,075,995 A 12/1991 Kennel
 D324,557 S 3/1992 Livingston
 D382,037 S * 8/1997 Scott D22/100
 5,933,997 A 8/1999 Barrett
 6,543,172 B1 * 4/2003 Armstrong F41C 23/22
 42/71.01
 6,598,330 B2 7/2003 Garrett
 6,637,141 B1 10/2003 Weatherby
 D514,123 S 1/2006 Naruki
 D515,637 S * 2/2006 Hatcher D21/573
 D516,660 S 3/2006 Murello
 D516,807 S 3/2006 Richardson
 D517,637 S 3/2006 Murello
 D523,096 S * 6/2006 Pflaumer D21/573
 7,162,823 B2 1/2007 Schoppman
 D551,313 S 9/2007 Saur
 D589,578 S 3/2009 Choma
 D603,013 S 10/2009 Fitzpatrick
 D606,614 S 12/2009 Fitzpatrick
 D607,078 S * 12/2009 Chu D22/109
 7,647,719 B2 1/2010 Fitzpatrick
 D610,218 S * 2/2010 Barrett D22/103
 7,810,270 B2 10/2010 Fitzpatrick
 7,827,722 B1 11/2010 Davies
 D636,833 S 4/2011 Mayberry
 D636,834 S 4/2011 Mayberry
 D640,342 S 6/2011 Fitzpatrick
 7,984,580 B1 * 7/2011 Giauque F41C 23/06
 42/73
 D645,110 S * 9/2011 Cook D22/108
 D645,533 S 9/2011 Peterson
 D648,412 S * 11/2011 Cook D22/108
 D661,366 S 6/2012 Zusman
 D661,768 S 6/2012 Keng
 D665,042 S * 8/2012 Kellgren D22/103
 D667,072 S * 9/2012 Krieglleder D22/103
 8,296,984 B2 * 10/2012 Kincel F41A 3/84
 42/1.06
 D671,183 S * 11/2012 Lucansky D22/103
 8,381,427 B2 * 2/2013 Nill F41C 23/14
 42/71.01
 D680,611 S 4/2013 Emde
 8,429,844 B2 * 4/2013 Dextraze F41A 3/18
 42/73

D683,808 S 6/2013 Elkaim
 8,453,365 B1 * 6/2013 Ballard F41C 23/14
 42/71.01
 D695,377 S 12/2013 Mayberry
 8,656,622 B2 2/2014 Peterson
 8,656,623 B1 * 2/2014 Chvala F41C 23/04
 42/73
 D704,294 S 5/2014 Jarboe
 8,720,099 B1 5/2014 Sisk
 8,769,854 B1 * 7/2014 Battaglia F41A 3/66
 42/71.01
 D710,477 S * 8/2014 Kauranen D22/108
 D710,478 S * 8/2014 Kauranen D22/108
 D712,998 S * 9/2014 Gomez D22/108
 8,844,185 B2 * 9/2014 Jarboe F41C 23/04
 42/73
 D722,671 S * 2/2015 Mayberry D22/108
 8,955,245 B2 * 2/2015 Chvala F41C 23/14
 42/1.06
 D725,215 S * 3/2015 Eberle D22/108
 8,978,285 B1 * 3/2015 Burke F41C 23/14
 42/73
 9,015,980 B2 * 4/2015 Shull F41C 23/04
 42/72
 D736,340 S 8/2015 Mayberry
 9,228,795 B1 * 1/2016 Kielsmeier F41C 23/14
 9,285,184 B1 * 3/2016 Cianci F41C 23/20
 D755,329 S * 5/2016 Kielsmeier D22/108
 9,377,255 B2 * 6/2016 Karagias F41A 35/06
 2007/0130817 A1 6/2007 Ballard
 2008/0028662 A1 2/2008 Abraham
 2008/0052979 A1 3/2008 Lee
 2008/0168695 A1 7/2008 Nakayama
 2008/0236016 A1 10/2008 Fitzpatrick
 2008/0236017 A1 10/2008 Fitzpatrick
 2009/0241397 A1 10/2009 Fitzpatrick
 2010/0115817 A1 5/2010 Faifer
 2010/0162608 A1 * 7/2010 McCann F41C 23/16
 42/71.01
 2010/0205846 A1 8/2010 Fitzpatrick
 2010/0251590 A1 10/2010 Fitzpatrick
 2011/0107643 A1 * 5/2011 Fitzpatrick F41C 23/16
 42/72
 2011/0131857 A1 * 6/2011 Kuczynko F41A 3/84
 42/73
 2012/0137561 A1 * 6/2012 Ludlow F41C 23/04
 42/75.03
 2014/0075815 A1 3/2014 Jarboe
 2014/0196343 A1 * 7/2014 Wilson F41C 23/14
 42/71.01
 2015/0338187 A1 * 11/2015 Priddy F41C 23/22
 42/71.01
 2016/0187099 A1 * 6/2016 Cottle F41C 23/14
 42/73

OTHER PUBLICATIONS

Magpul MOE Fixed Stock Mil Spec AR-15—MAG480, AT3 Tac-
 tical, [online], [site visited Sep. 30, 2016]. <URL: <http://www.at3tactical.com/collections/fde-ar15-furniture-flat-dark-earth-ar-15-furniture-by-hogue-magpul-ergo-troy-and-more/products/mag480-magpul-magpul-moe-fixed-stk-milspec>>.*
 FAB Defense Tactical Side Folding Buttstock with Adjustable
 Cheek Rest AK-47 Stamped Receivers Synthetic Black,
 MidwayUSA, [online], [site visited Sep. 30, 2016]. <URL: <http://www.midwayusa.com/product/432379/fab-defense-tactical-side-folding-buttstock-with-adjustable-cheek-rest-ak-47-stamped-receivers-synthetic-black>>.*
 FAB Defense Recoil Reducing Collapsible Buttstock Assembly
 AK-47, AK-74 Polymer, MidwayUSA, [online], [site visited Sep.
 30, 2016]. <URL: <http://www.midwayusa.com/product/2704211913/fab-defense-recoil-reducing-collapsible-buttstock-assembly-ak-47-ak-74-polymer>>.*
 Archangel OPFOR Adjustable Stock AK-47 Polymer,
 MidwayUSA, [online], [site visited Sep. 30, 2016]. <URL: <http://www.midwayusa.com/product/3357223614/archangel-opfor-adjustable-stock-ak-47-polymer>>.*

(56)

References Cited

OTHER PUBLICATIONS

Ace Ltd (HMR) Hammer Stock, AR Replacement-Stock Options, Part 1, The Shooter's Log, by Robert Sadowski, published on Aug. 15, 2014 in Firearms, [online], [site visited Sep. 30, 2016]. <URL: <http://blog.cheaperthandirt.com/ar-replacement-stock-options-part/>>.*

ProMag Archangel AK-Series Adjustable Buttstock in Black, Centerfire Systems, [online], [site visited Sep. 30, 2016]. <URL: <http://www.centerfiresystems.com/STKAKA-PM-BL.aspx>>.*

GLR-16 AR15/M16 Buttstock, FAB Defense, [online], [site visited Sep. 30, 2016]. <URL: <http://www.fab-defense.com/en/category-butt-stocks/id-8/ar15-m16-butt-stock.html>>.*

Command_Arms_SRS_Product_Info_Online_2008 Command Arms Accessories Online Catalog (2008) SRS Product Information. Ergo Grip 2014 Ergo Grip (Oct. 21, 2014) Ergo F93 Pro Stock™ Website [Online] Available Website: <http://ergogrips.net/products/ergo-f93-pro-stock.html>; Last Update: Jun. 24, 2015; Accessed on: Jan. 18, 2016.

HK_PSG1A1_Product_Online_2008 Heckler & Koch Online Catalog (2008) PSG1A1 A1 Product Information.

Magpul_2007_PRS_FAL_Online_Catalog Magpul Online Catalog (2007) FAL Preproduction Product Information.

Magpul_2007_PRS_AR15M16_Online_Catalog Magpul Online Catalog (2007) PRS Ar15/M16 Product Information.

Magpul 2015 Buttstocks UBR Collapsible Stock Magpul Industries Corporation (Jan. 23, 2015) UBR® Collapsible Stock; Website [Online] Available Website: <https://www.magpul.com/search-results?PID=88&eComQuery=MAG330>

&ProductNumber=MAG330; Last Update: Feb. 26, 2015; Accessed on: Jan. 18, 2015.

Shockwave NE Plus Ultra Shockwave NE Plus Ultra (Sep. 4, 2014) Shockwave Introduces the Blade AR Pistol Stabilizer; Website [Online] Available Website: <http://shockwavetechnologies.com/site/?p=1724>; Last Update: May 28, 2015; Accessed on: Jan. 18, 2016.

Design U.S. Appl. No. 29/399,326, "ACS Rifle Stock" filed Aug. 12, 2011, by Fitzpatrick.

Design U.S. Appl. No. 29/551,199 "Adjustable Buttstock for a Firearm" filed Jan. 11, 2016.

* cited by examiner

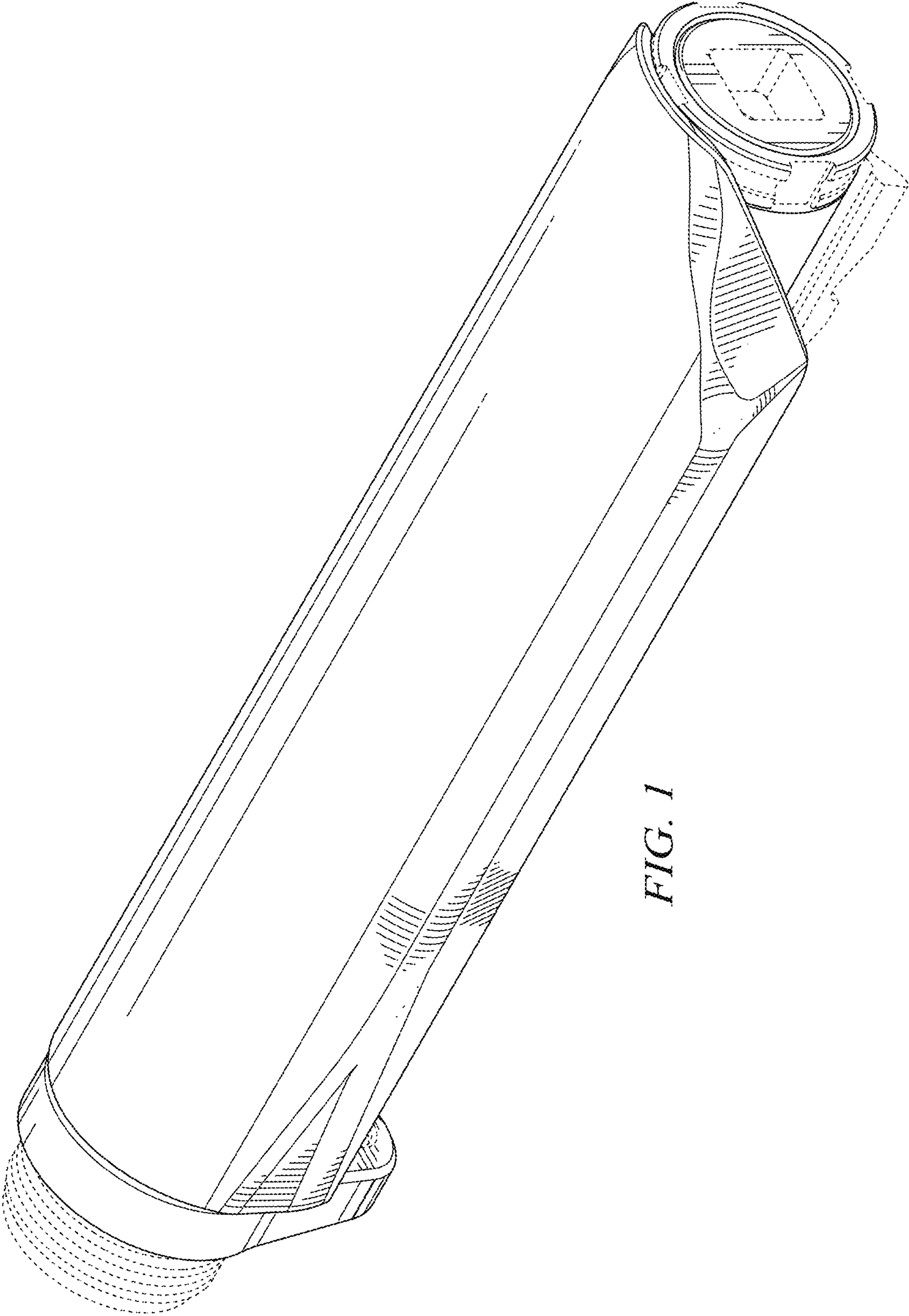


FIG. 1

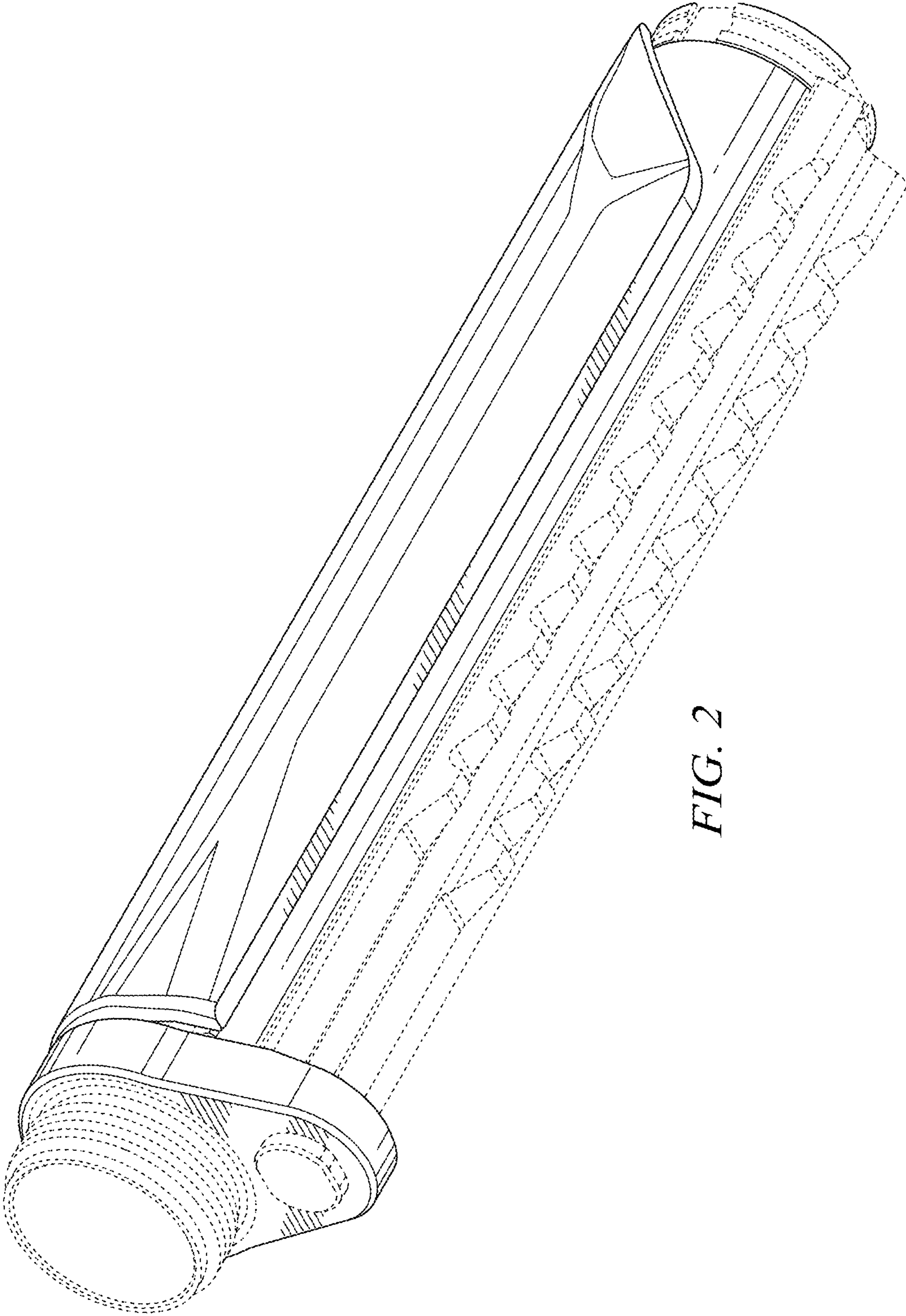


FIG. 2

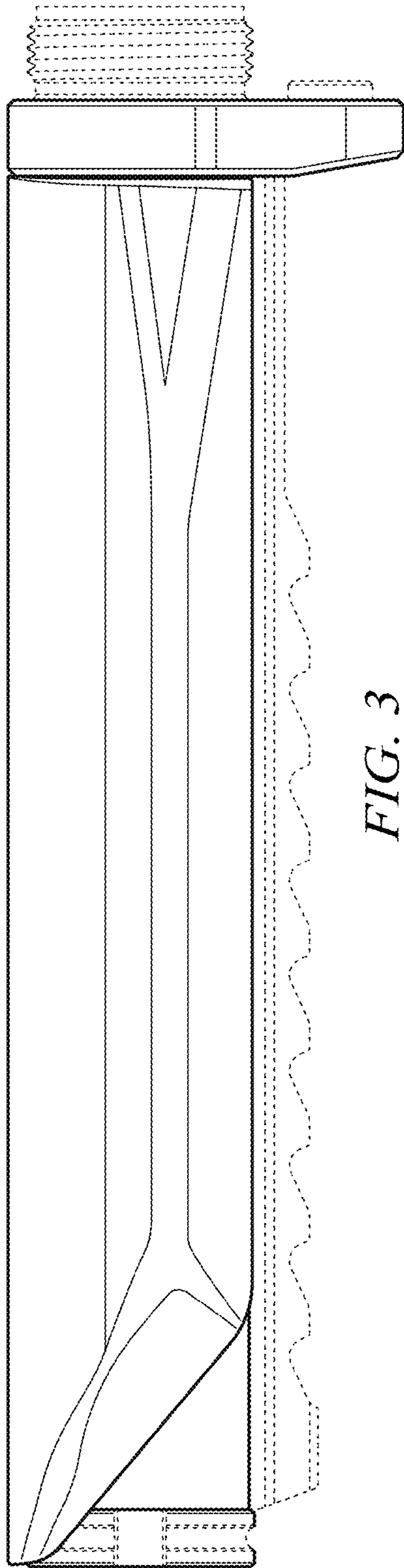


FIG. 3

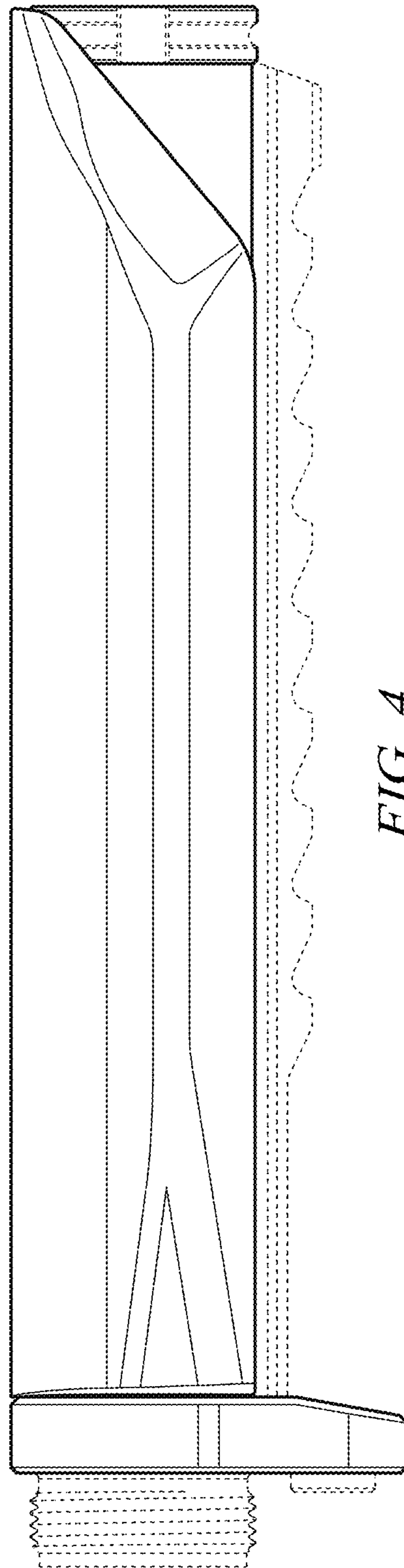


FIG. 4

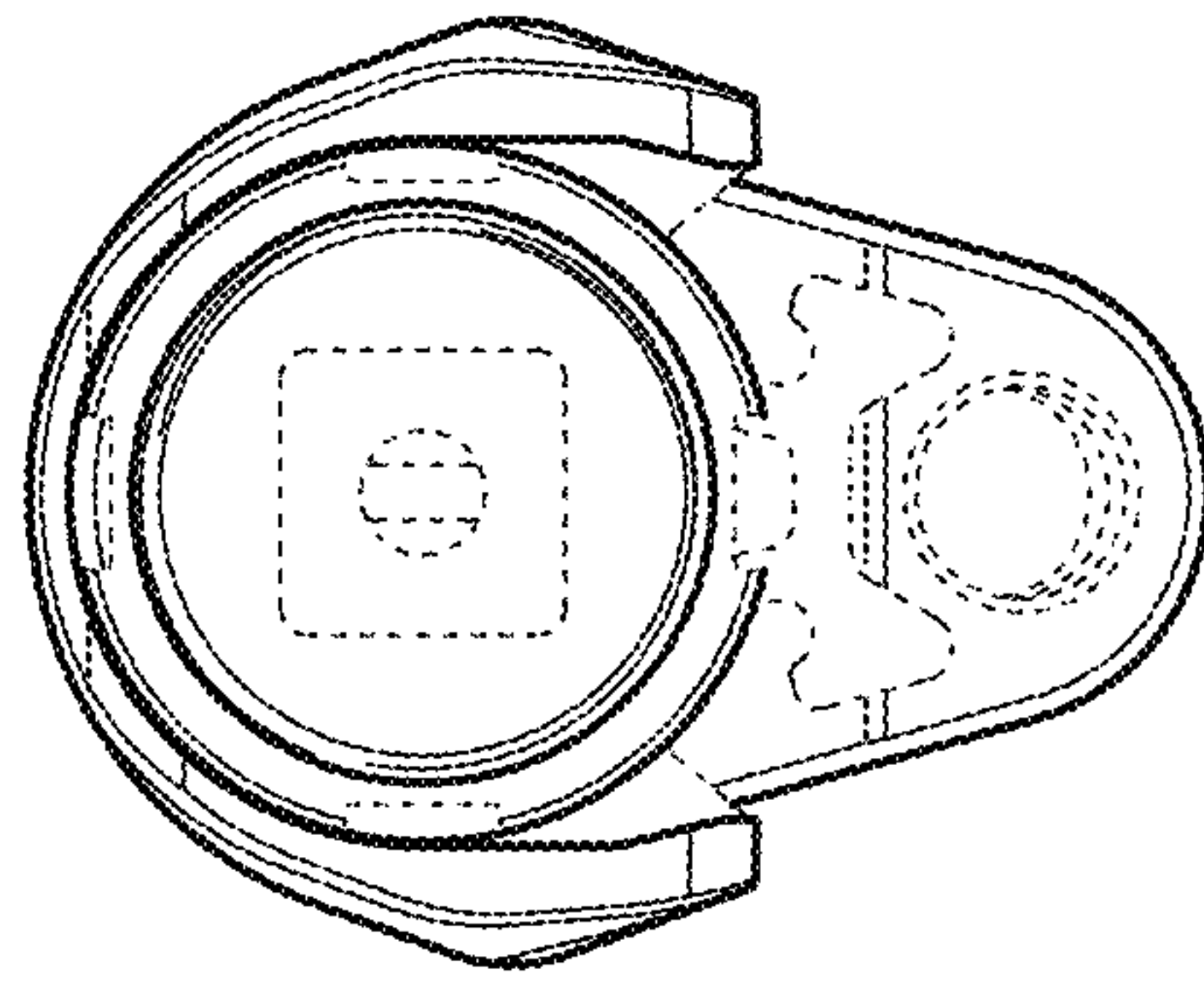


FIG. 6

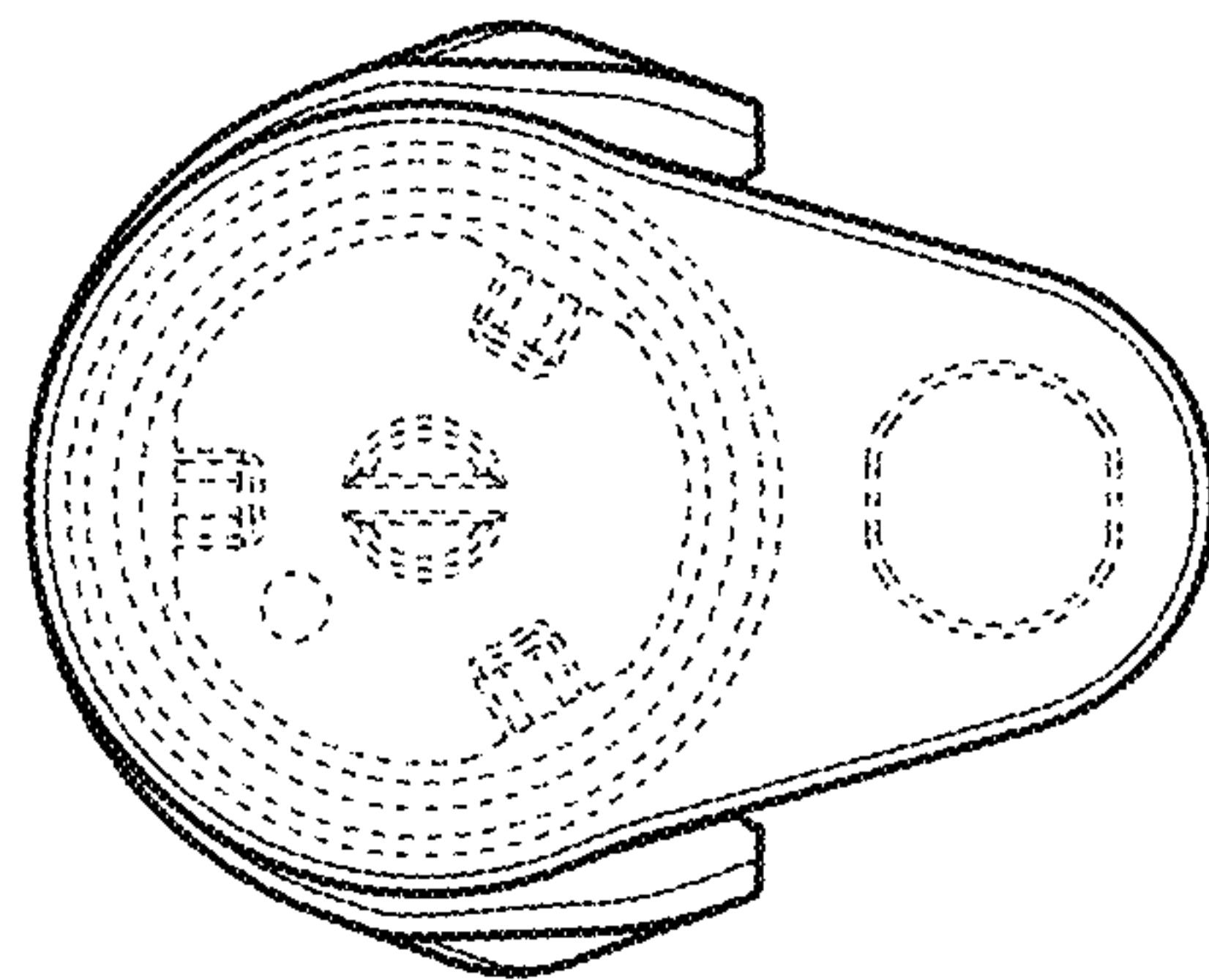


FIG. 5

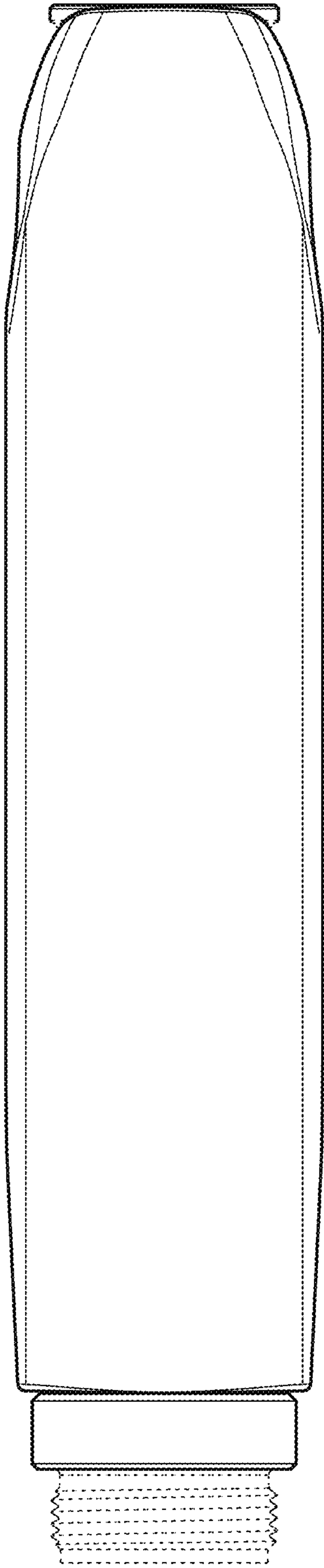


FIG. 7

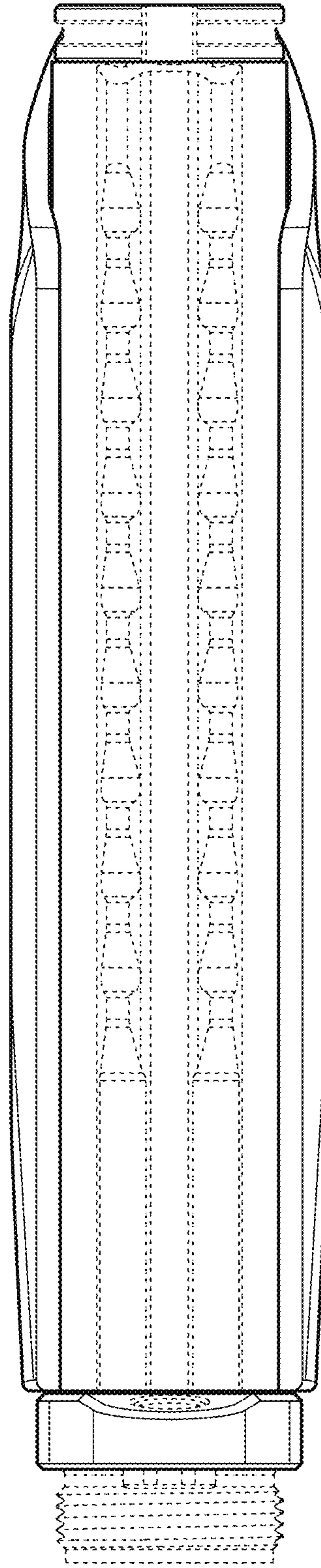


FIG. 8

UNITED STATES PATENT AND TRADEMARK OFFICE
CERTIFICATE OF CORRECTION

PATENT NO. : D781,392 S
APPLICATION NO. : 29/551197
DATED : March 14, 2017
INVENTOR(S) : Eitan et al.

Page 1 of 1

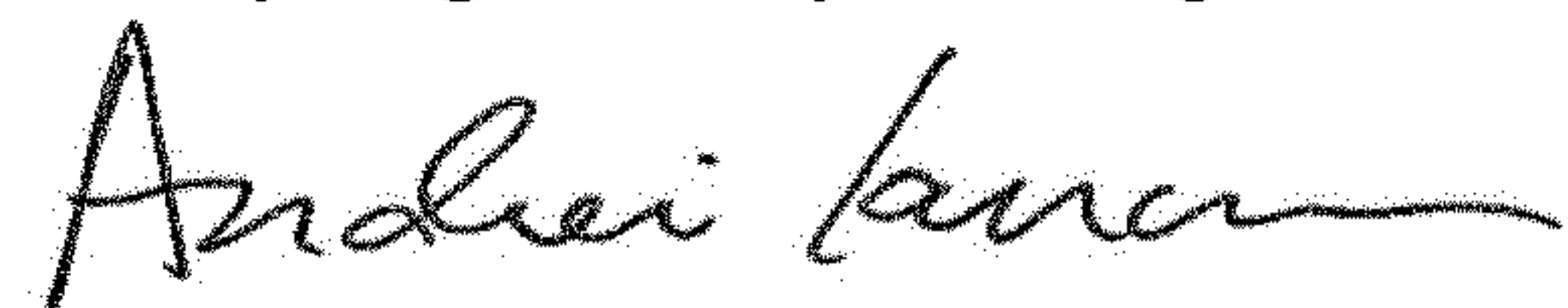
It is certified that error appears in the above-identified patent and that said Letters Patent is hereby corrected as shown below:

On the Title Page

The resulting inventive entity should be listed in the following order:

(72) Inventors: Yehezkel Eitan, Johnstown, CO
Timothy E. Roberts, Broomfield, CO
Michael T. Mayberry, Denver, CO
Richard Fitzpatrick, West Lake Hills, TX

Signed and Sealed this
Twenty-eighth Day of August, 2018



Andrei Iancu
Director of the United States Patent and Trademark Office