



US00D781390S

(12) **United States Design Patent**
Monahan

(10) **Patent No.:** **US D781,390 S**

(45) **Date of Patent:** **** Mar. 14, 2017**

(54) **FIREARM MAGAZINE CLIP**

D711,213 S * 8/2014 Schorn D8/373

(71) Applicant: **Thomas E. Monahan**, Tallahassee, FL
(US)

* cited by examiner

(72) Inventor: **Thomas E. Monahan**, Tallahassee, FL
(US)

Primary Examiner — Susan Bennett Hattan

Assistant Examiner — S. Bryan Reinholdt, Jr.

(74) *Attorney, Agent, or Firm* — Lucian C. Chen

(**) Term: **15 Years**

(21) Appl. No.: **29/533,253**

(22) Filed: **Jul. 15, 2015**

(51) **LOC (10) Cl.** **22-01**

(52) **U.S. Cl.**
USPC **D22/108**

(58) **Field of Classification Search**
USPC D8/354, 373, 380, 499; D22/108, 199;
248/200

CPC F16M 11/00
See application file for complete search history.

(56) **References Cited**

U.S. PATENT DOCUMENTS

D264,935 S * 6/1982 Ziaylek, Jr. D8/373

(57) **CLAIM**

The ornamental design for a firearm magazine clip, as shown and described.

DESCRIPTION

FIG. 1 is a left side perspective view of the clip from the front right side;

FIG. 2 is a front view thereof;

FIG. 3 is a rear view thereof;

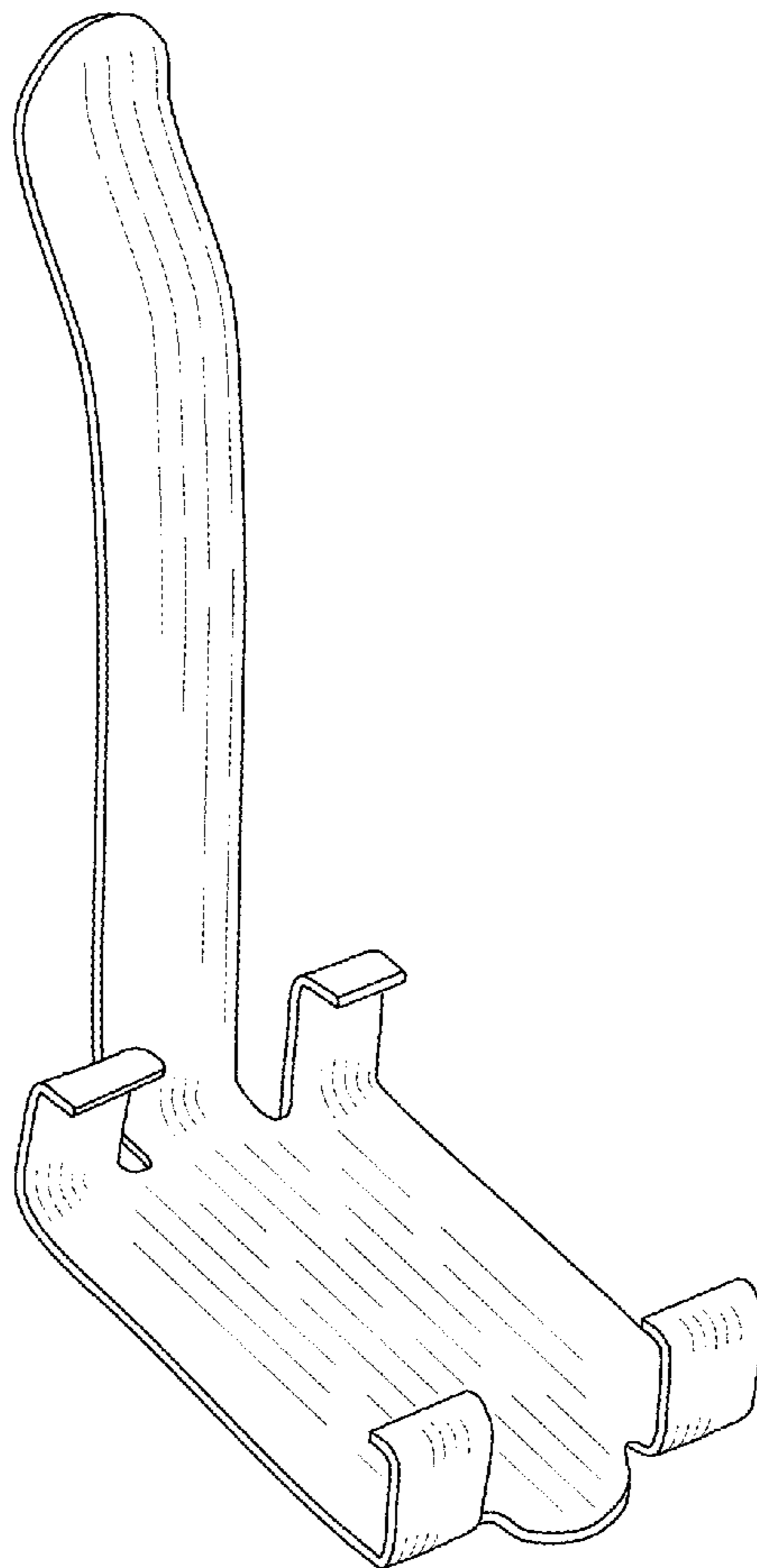
FIG. 4 is a right side view thereof;

FIG. 5 is a left side view thereof;

FIG. 6 is a top plan view thereof; and,

FIG. 7 is a bottom plan view thereof.

1 Claim, 7 Drawing Sheets



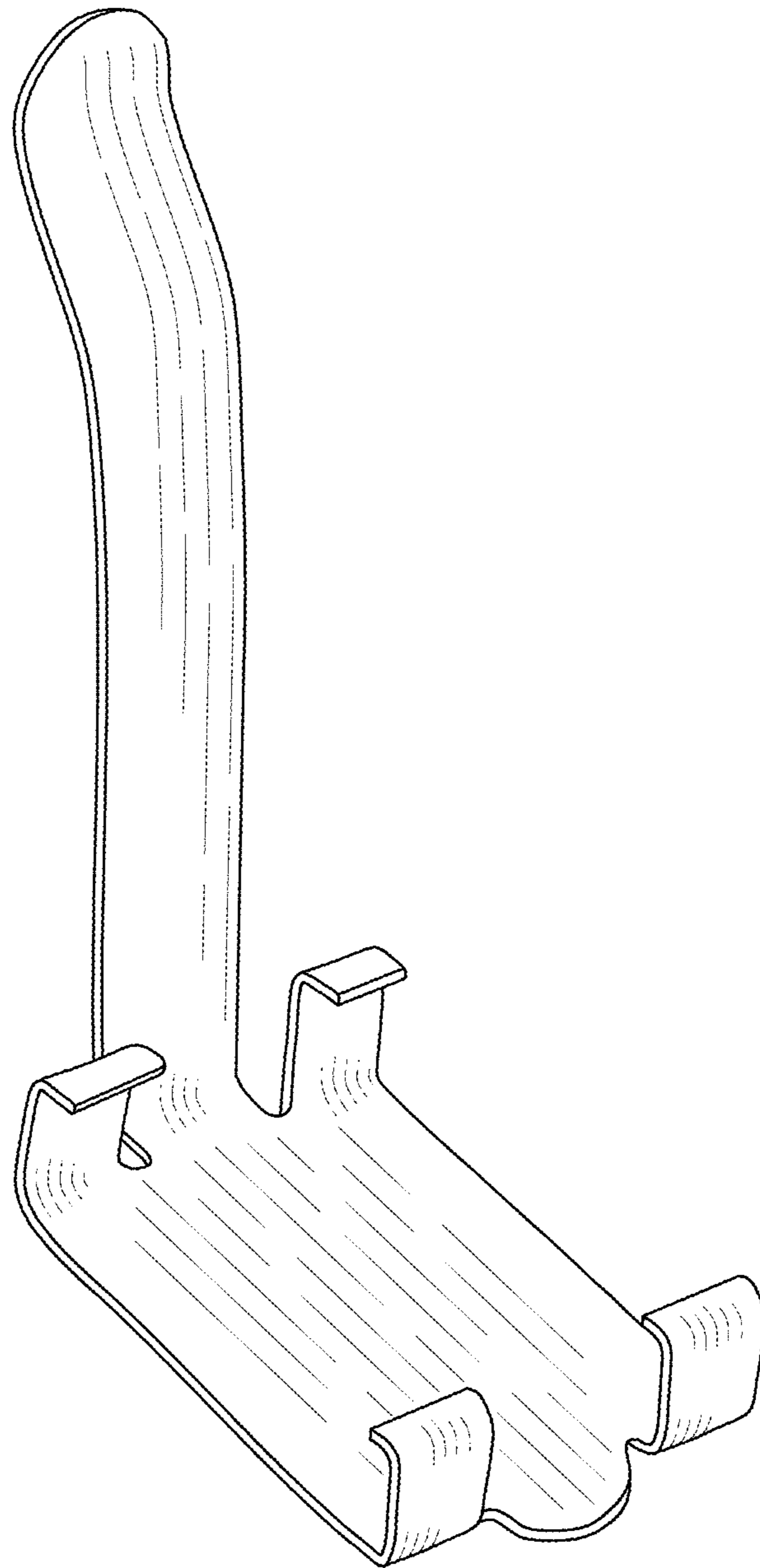


FIG. 1

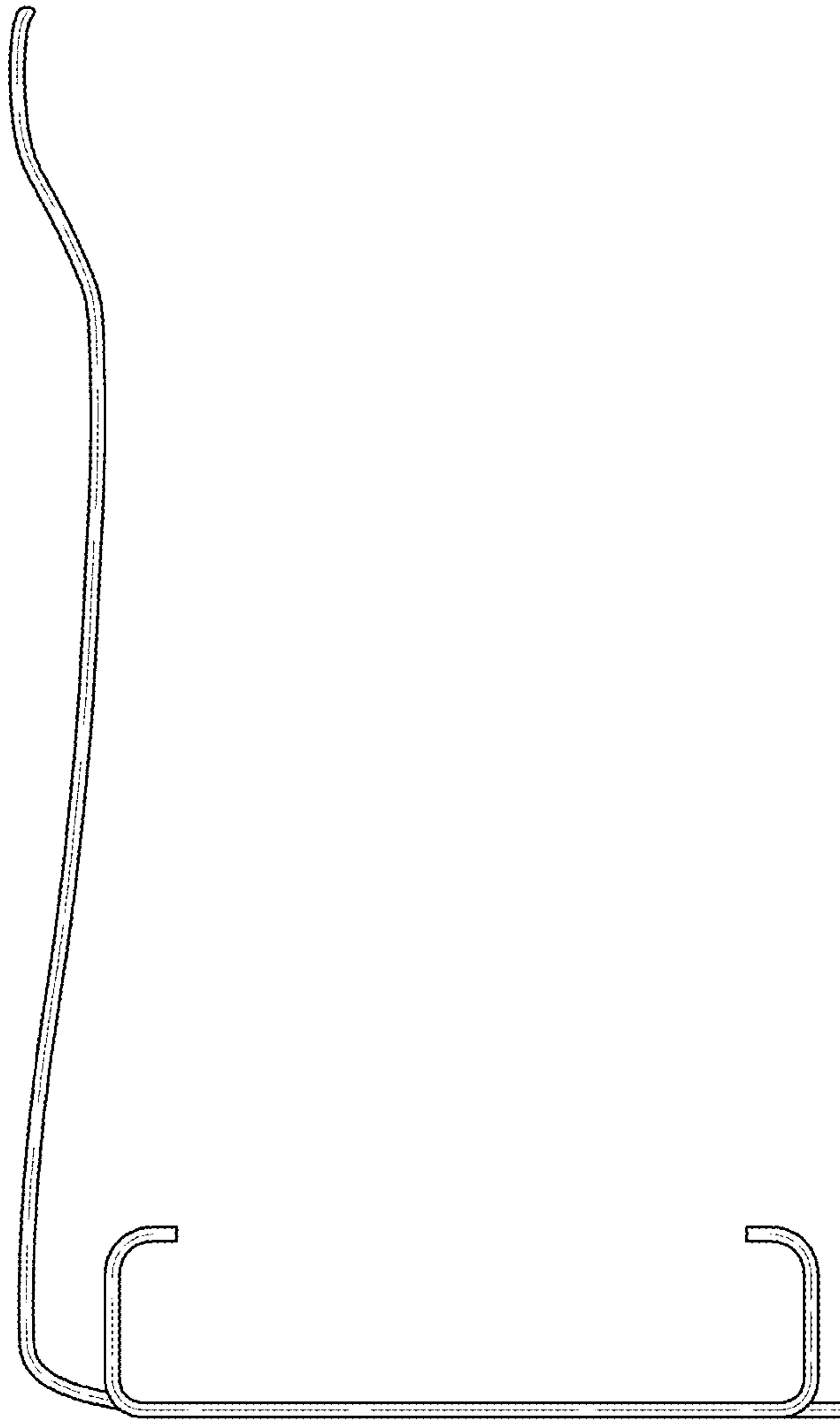


FIG. 2

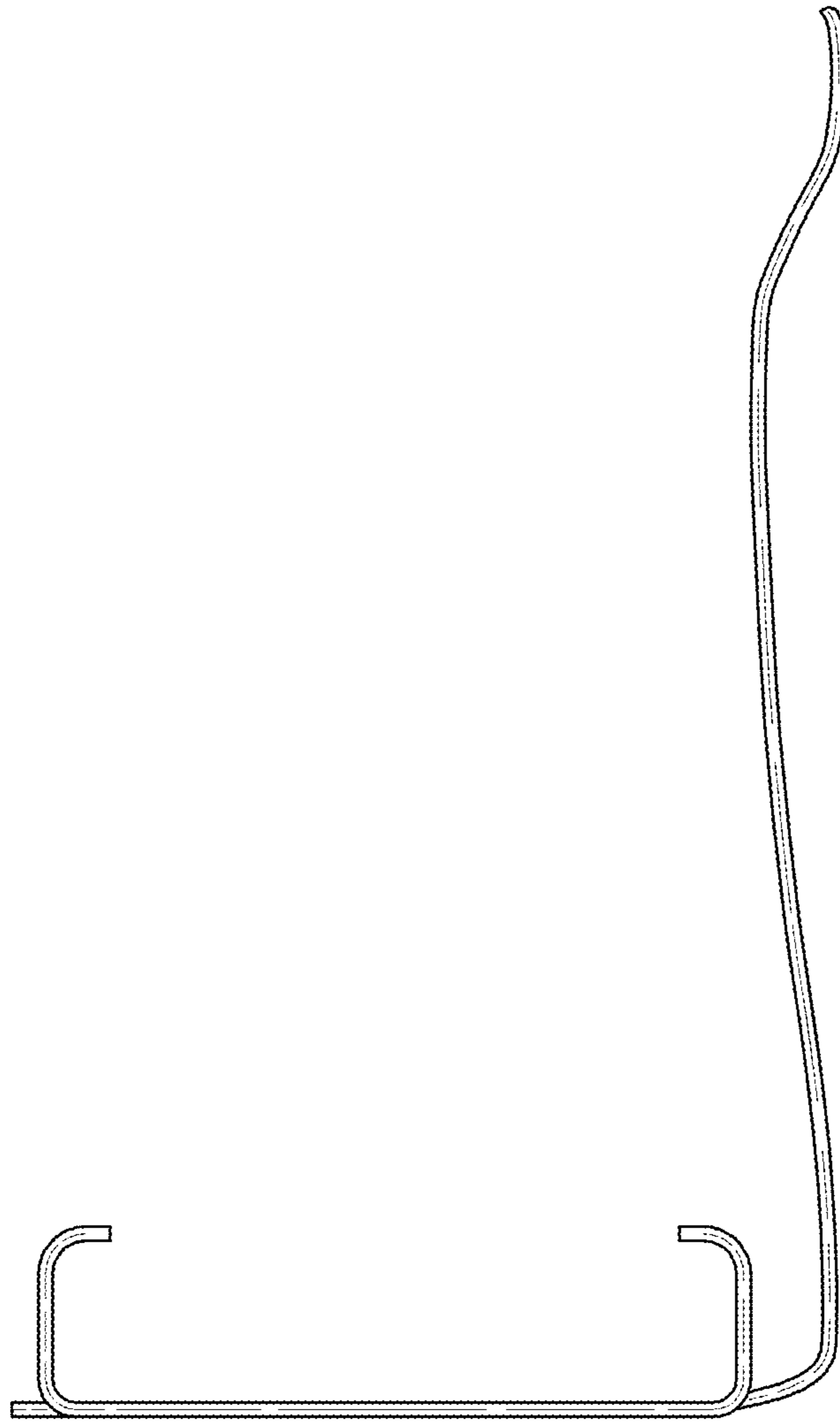


FIG. 3

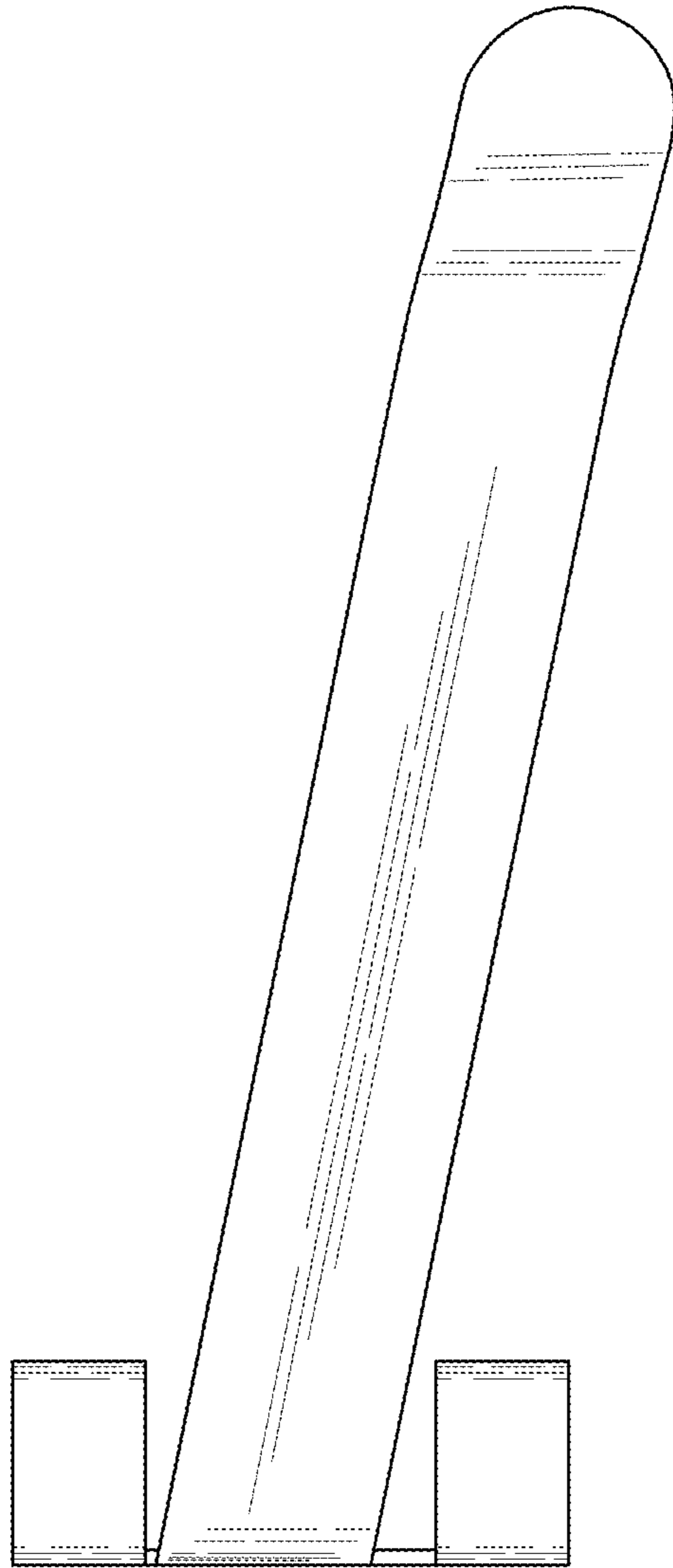


FIG. 4

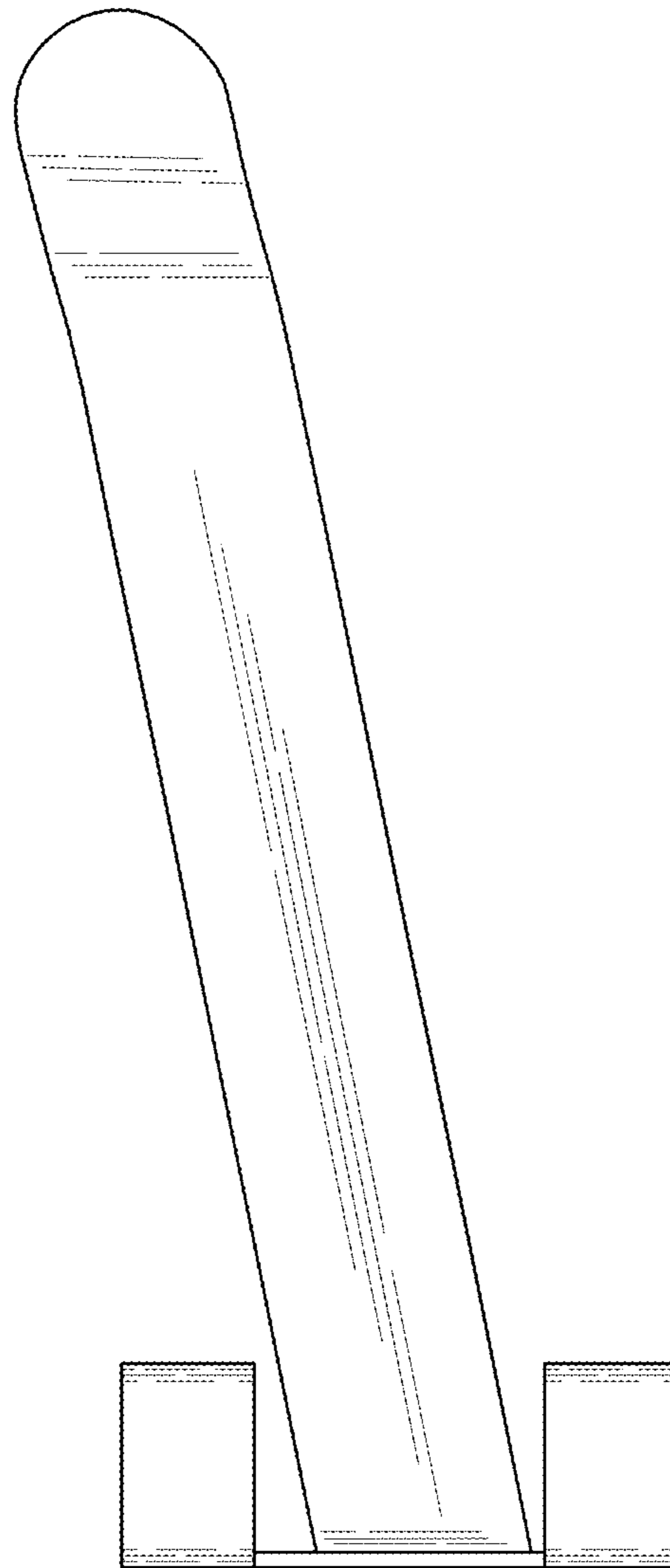


FIG. 5

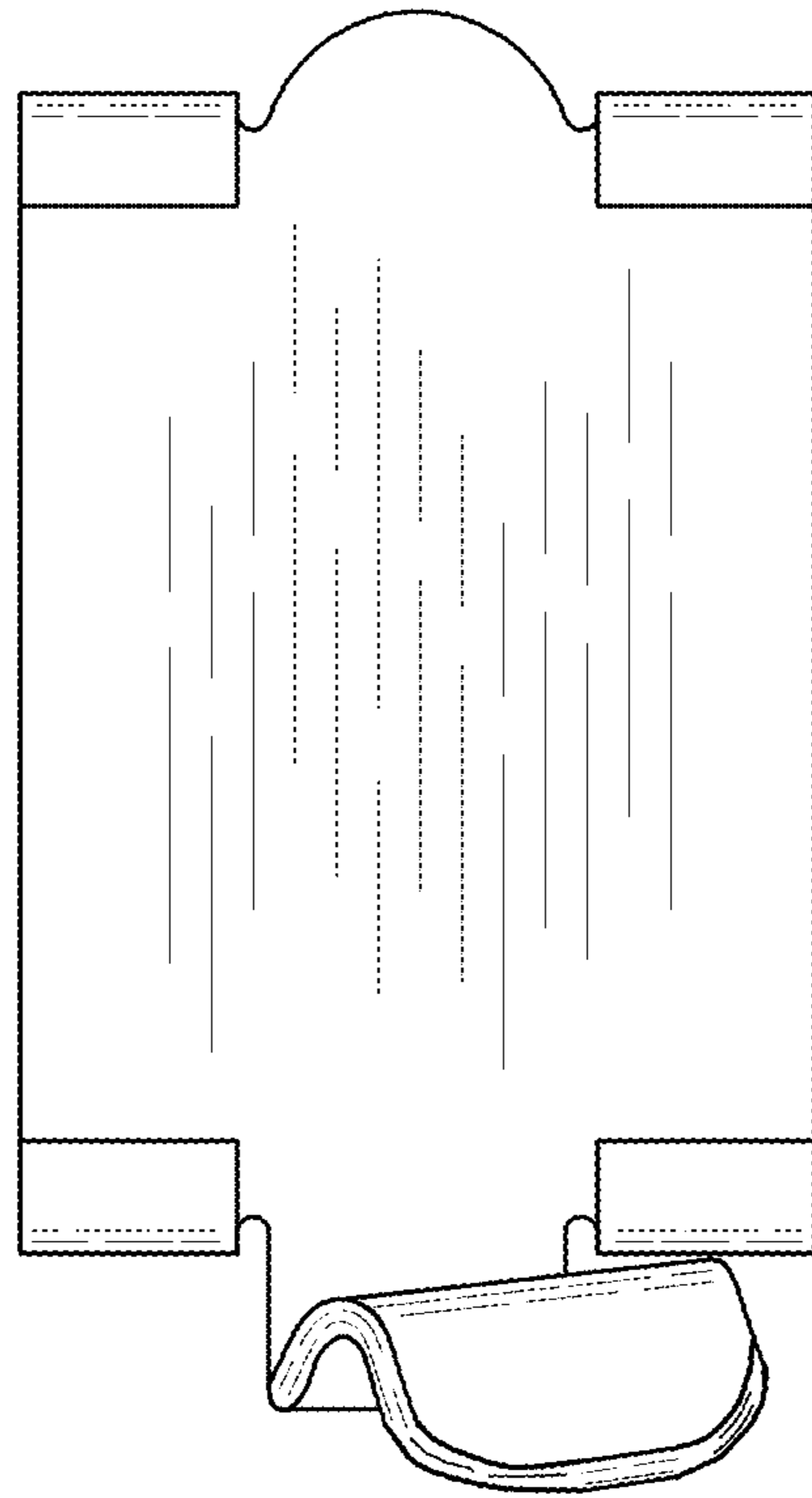


FIG. 6

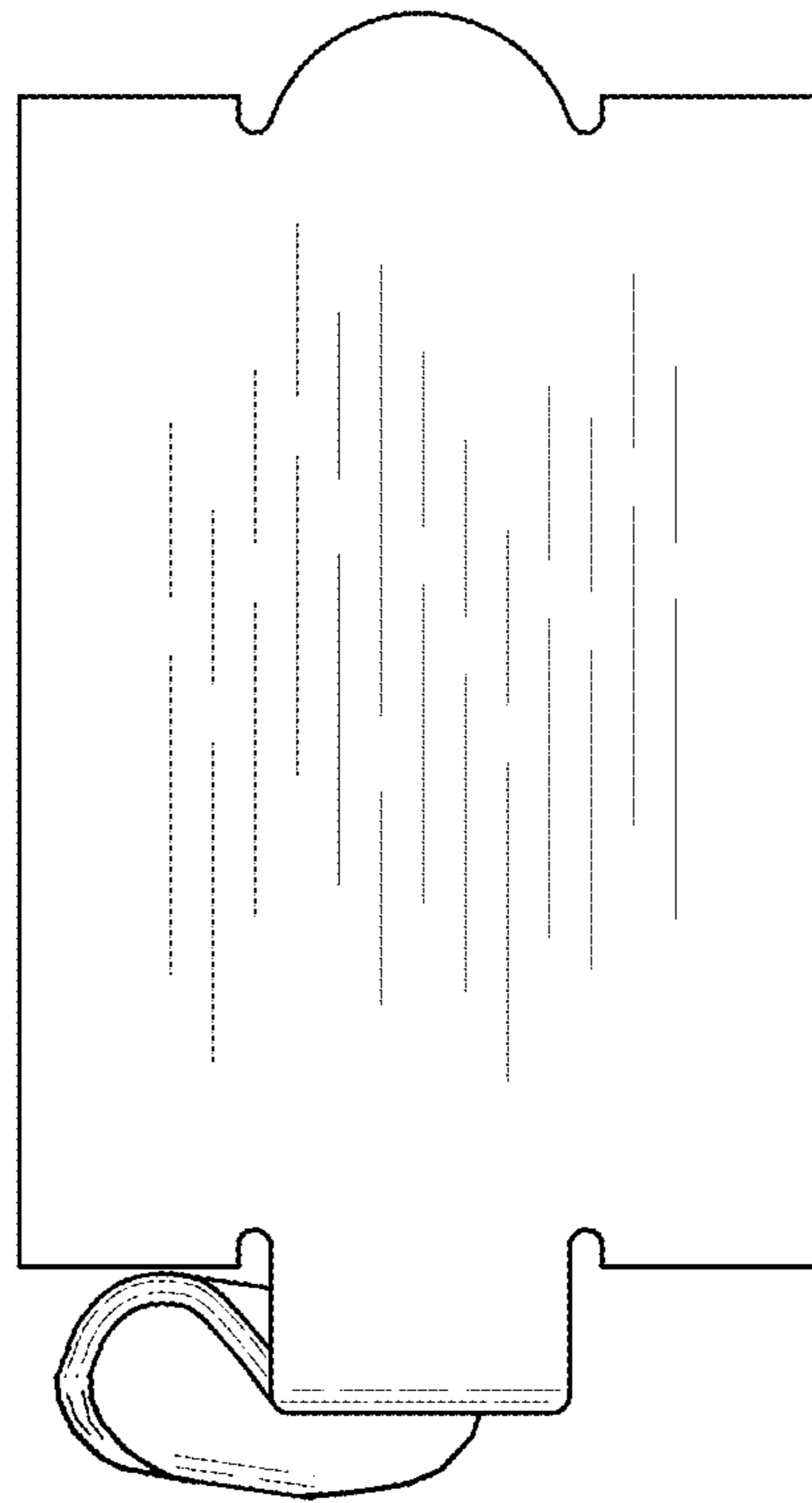


FIG. 7