



US00D781388S

(12) **United States Design Patent** (10) **Patent No.:** **US D781,388 S**
Lu (45) **Date of Patent:** **** Mar. 14, 2017**

(54) **CRANE GAME MACHINE** 6,383,475 B1 * 5/2002 Meyers A61K 8/11
424/401
(71) Applicant: **SAINT-FUN INTERNATIONAL** D466,177 S * 11/2002 Carter D21/811
LTD., New Taipei (TW) 6,899,337 B2 * 5/2005 Fisher A63F 9/30
273/447
(72) Inventor: **Kun-Mou Lu, New Taipei (TW)** 8,353,518 B1 * 1/2013 Lai G07F 17/3253
273/447
(73) Assignee: **SAINT-FUN INTERNATIONAL** 8,579,733 B2 * 11/2013 McGrath A63F 9/30
LTD., New Taipei (TW) 473/447
8,678,395 B2 * 3/2014 Shoemaker, Jr. F41J 5/24
273/454
(**) Term: **15 Years** D739,911 S * 9/2015 Riggles D21/811
9,192,853 B2 * 11/2015 Riggles A63F 9/30

(21) Appl. No.: **29/543,473**

* cited by examiner

(22) Filed: **Oct. 24, 2015**

Primary Examiner — Prabhakar Deshmukh

(51) **LOC (10) Cl.** **21-03**

(74) *Attorney, Agent, or Firm* — Pai Patent Trademark
Law Firm; Chao-Chang David Pai

(52) **U.S. Cl.**
USPC **D21/811**

(58) **Field of Classification Search**
USPC D21/300, 325, 326, 327, 811–813;
273/138.1, 142 R, 142 H, 440, 447, 448,
273/454, 459, 460; 221/210–212
CPC A63F 9/00; A63F 9/24; A63F 9/30; A63F
9/34; A63F 2250/146; A63F 2250/601;
A63F 2250/604
See application file for complete search history.

(57) **CLAIM**

The ornamental design for a crane game machine, as shown and described.

DESCRIPTION

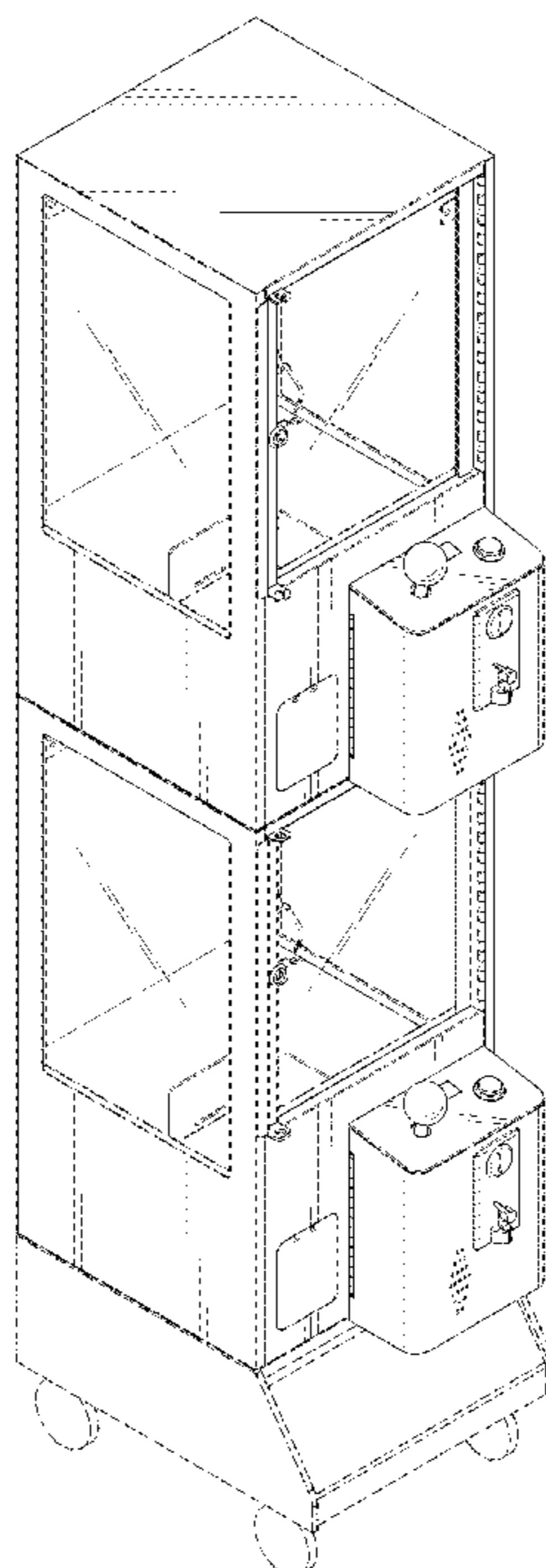
FIG. 1 is a left side perspective view of a crane game machine, showing my new design;
FIG. 2 is a front elevational view thereof;
FIG. 3 is a rear elevational view thereof;
FIG. 4 is a left side elevational view thereof;
FIG. 5 is a right side elevational view thereof;
FIG. 6 is a top plan view thereof; and,
FIG. 7 is a bottom plan view thereof.
The wheeled base is shown in broken lines for illustrative purposes only and forms no part of the claimed design.

(56) **References Cited**

U.S. PATENT DOCUMENTS

D90,242 S * 7/1933 Gast D21/811
D135,407 S * 4/1943 Meyer D21/811
5,397,134 A * 3/1995 Fishman A63F 9/30
221/210
D366,304 S * 1/1996 Lewis D21/811
D421,284 S * 2/2000 Huang D21/811

1 Claim, 4 Drawing Sheets



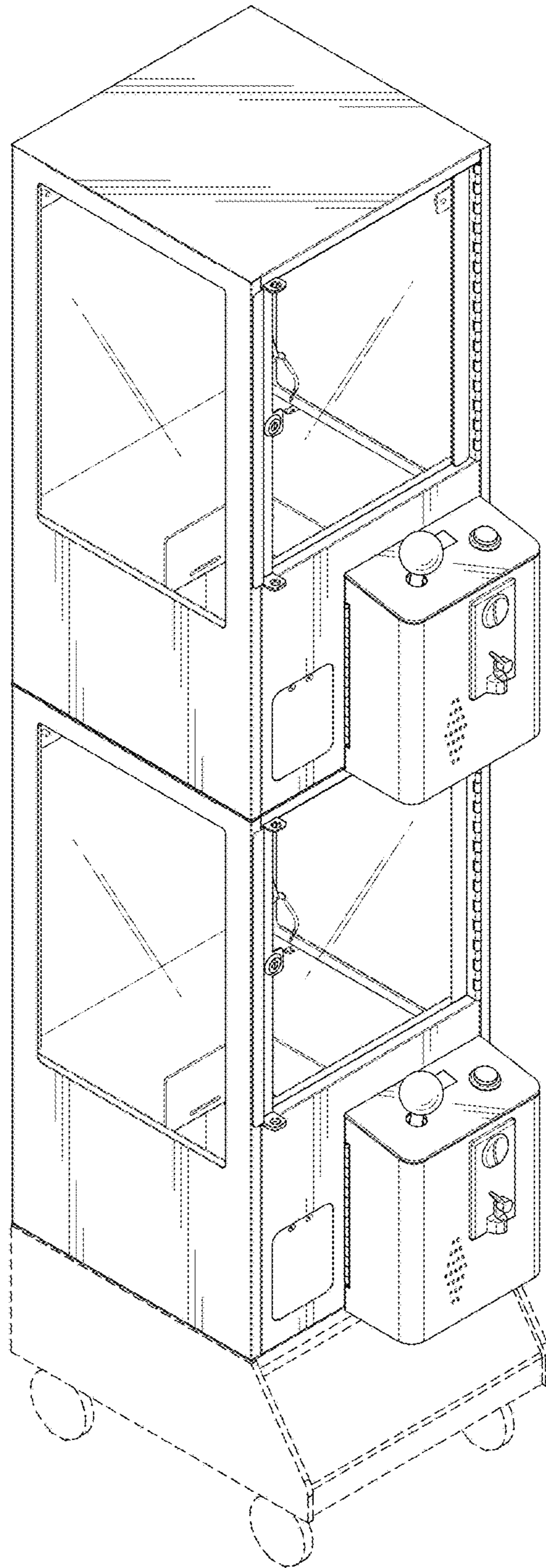


FIG. 1

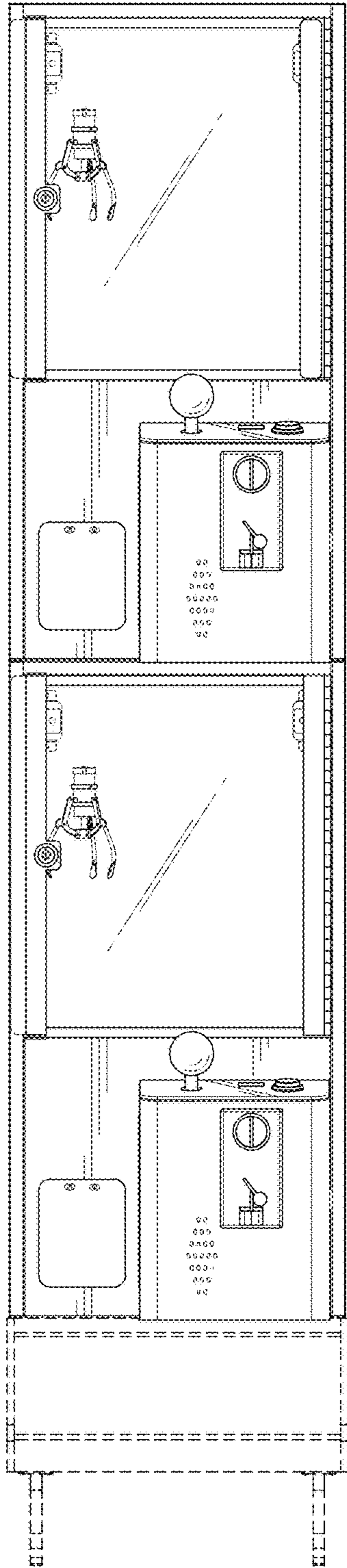


FIG. 2

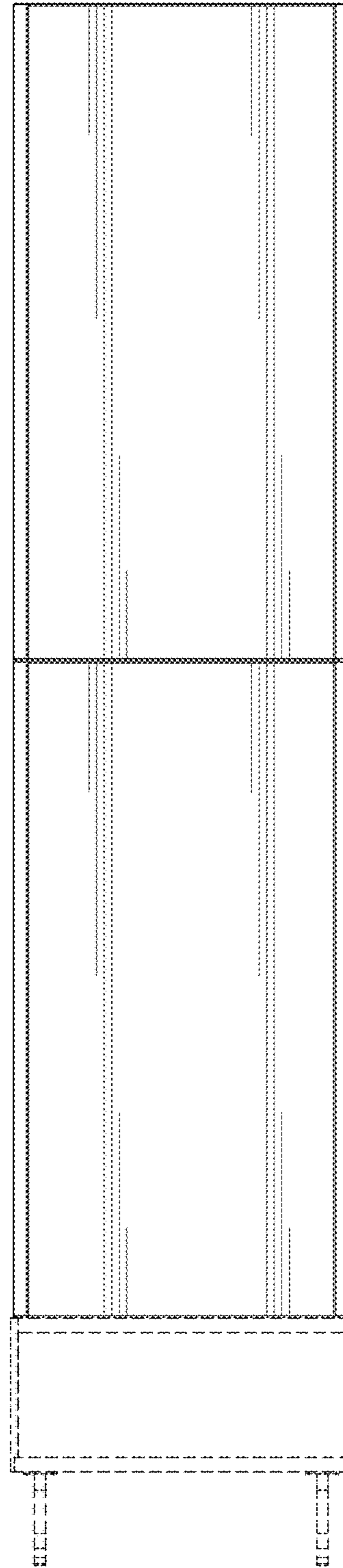


FIG. 3

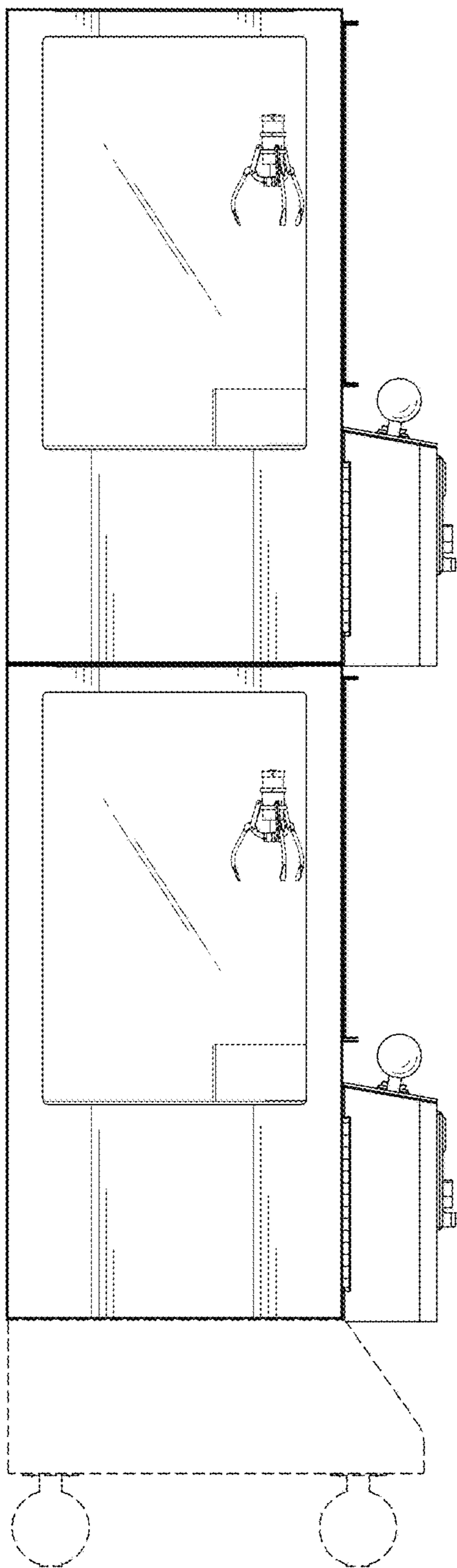


FIG. 4

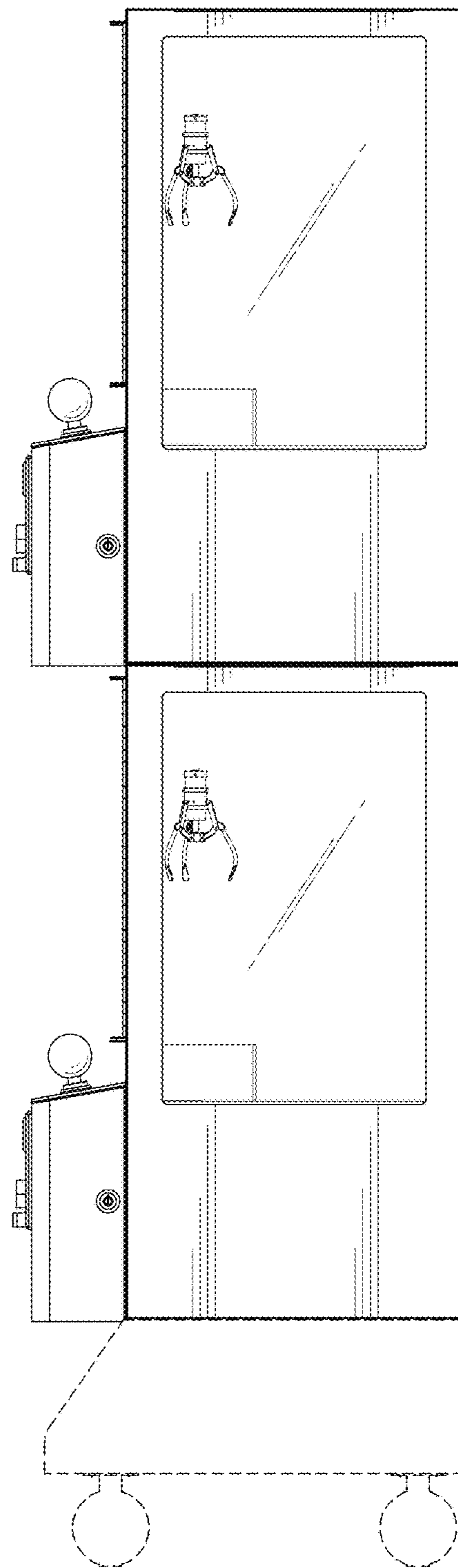


FIG. 5

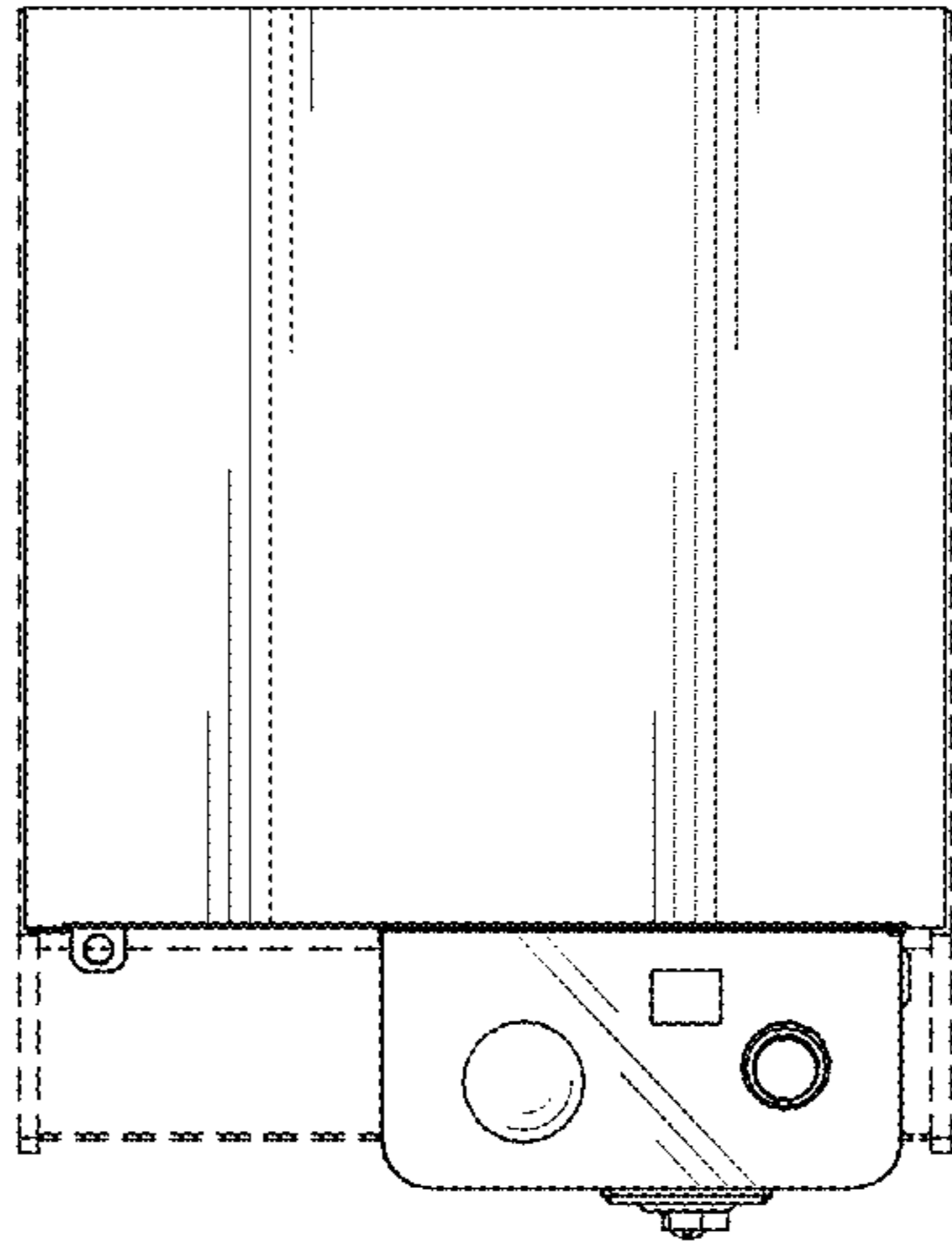


FIG. 6

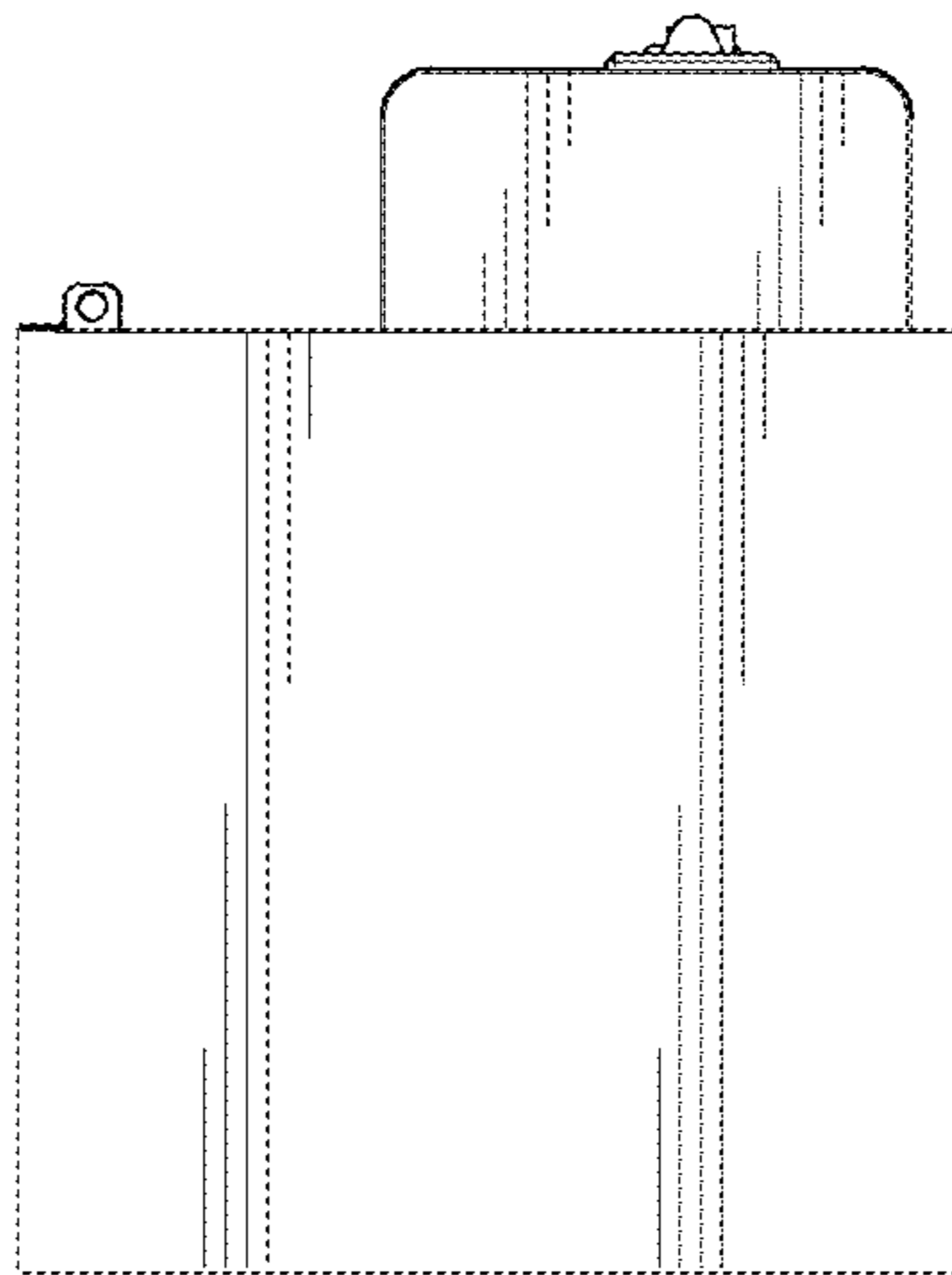


FIG. 7