



US00D781387S

(12) **United States Design Patent**
Asatsuma

(10) **Patent No.:** **US D781,387 S**

(45) **Date of Patent:** **** Mar. 14, 2017**

(54) **GOLF CLUB HEAD**

(71) Applicant: **DUNLOP SPORTS CO. LTD.**,
Kobe-shi, Hyogo (JP)

(72) Inventor: **Hajime Asatsuma**, Kobe (JP)

(73) Assignee: **DUNLOP SPORTS CO. LTD.**, Kobe
(JP)

(**) Term: **15 Years**

(21) Appl. No.: **29/550,070**

(22) Filed: **Dec. 30, 2015**

(51) **LOC (10) Cl.** **21-02**

(52) **U.S. Cl.**
USPC **D21/759**

(58) **Field of Classification Search**
USPC D21/733, 752, 759
CPC A63B 53/00; A63B 53/04; A63B 53/0466;
A63B 2053/002; A63B 2053/0445; A63B
2053/0433; A63B 2053/0437; A63B
2053/0491

See application file for complete search history.

(56) **References Cited**

U.S. PATENT DOCUMENTS

D498,508 S * 11/2004 Antonious D21/752
D515,643 S * 2/2006 Ortiz D21/733

D526,372 S * 8/2006 Kohno D21/759
D532,469 S * 11/2006 Oldknow D21/752
D578,588 S * 10/2008 Oldknow D21/752
D578,591 S * 10/2008 Oldknow D21/759
D589,103 S * 3/2009 Kohno D21/759
9,314,677 B2 * 4/2016 Stites A63B 53/0466

* cited by examiner

Primary Examiner — Mitchell Siegel

(74) *Attorney, Agent, or Firm* — Oliff PLC

(57) **CLAIM**

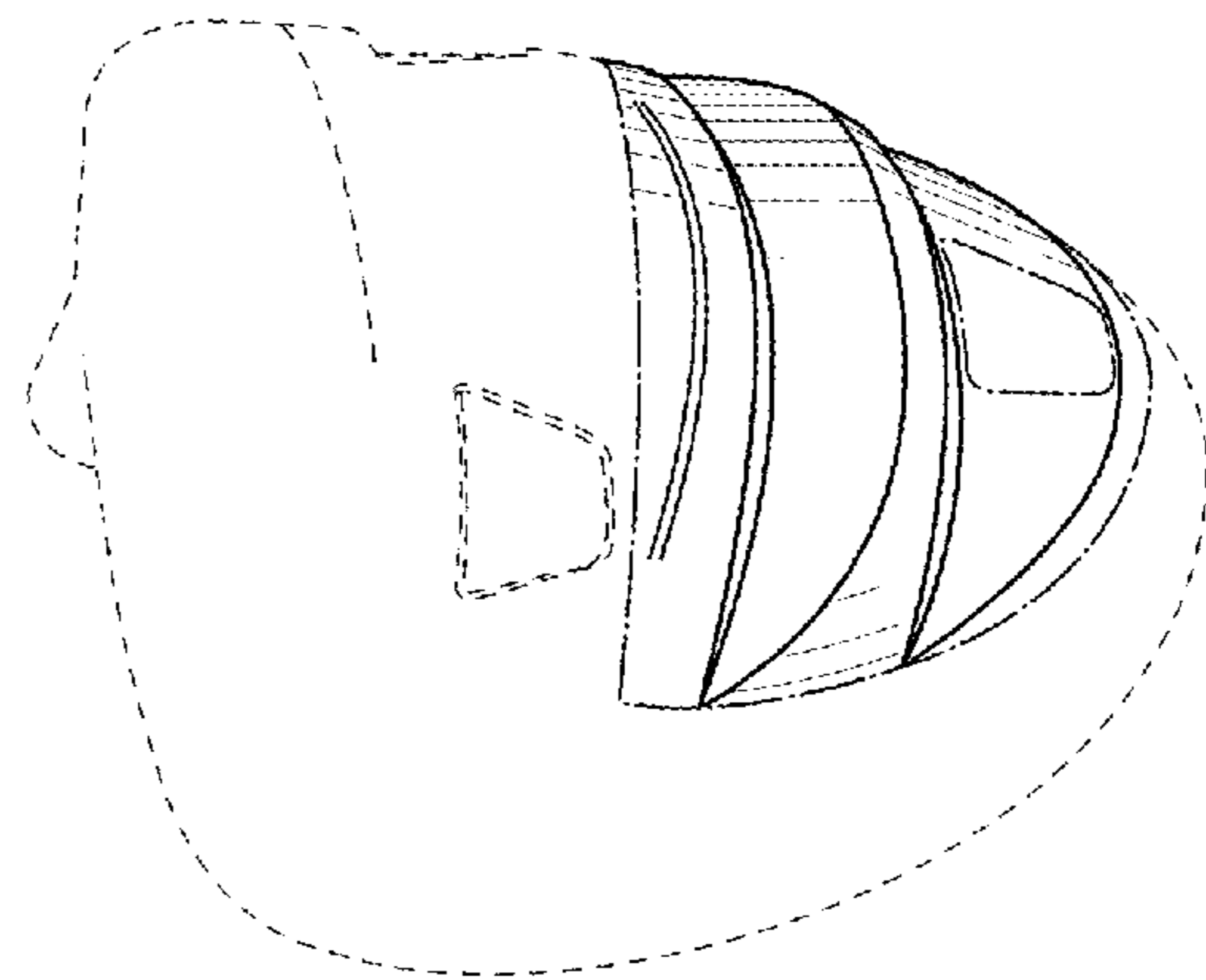
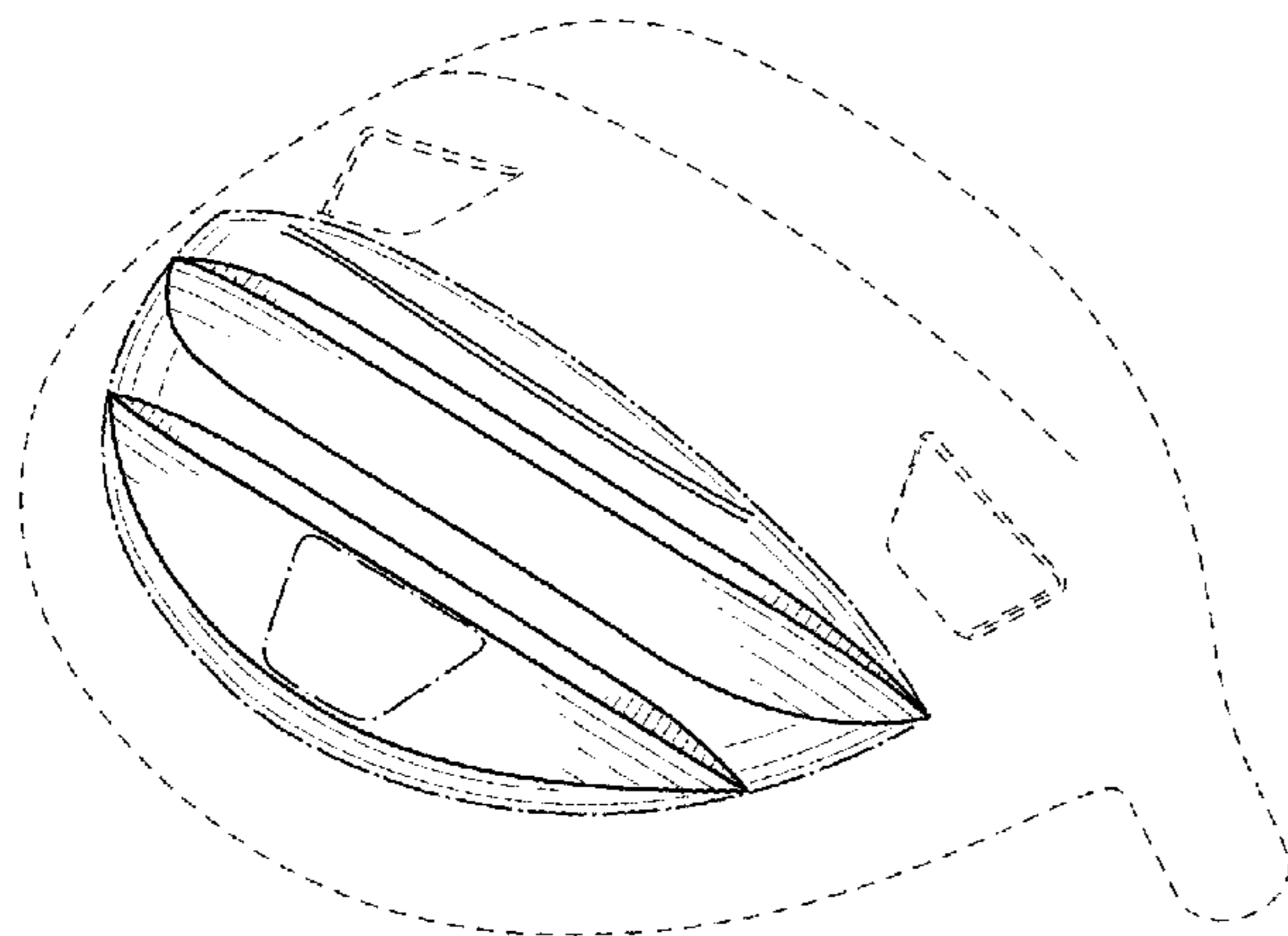
The ornamental design for a golf club head, as shown and described.

DESCRIPTION

FIG. 1 is a rear, bottom, heel-side perspective view of the golf club head;
FIG. 2 is a bottom, toe-side perspective view thereof;
FIG. 3 is a front elevational view thereof;
FIG. 4 is a rear elevational view thereof;
FIG. 5 is a toe-side elevational view thereof;
FIG. 6 is a heel-side elevational view thereof;
FIG. 7 is a top plan view thereof; and,
FIG. 8 is a bottom plan view thereof.

The dot-dash chain lines indicate a boundary of the claimed subject matter and the broken lines depict unclaimed portions of the golf club head. The dot-dash chain lines and broken lines form no part of the claimed design.

1 Claim, 4 Drawing Sheets



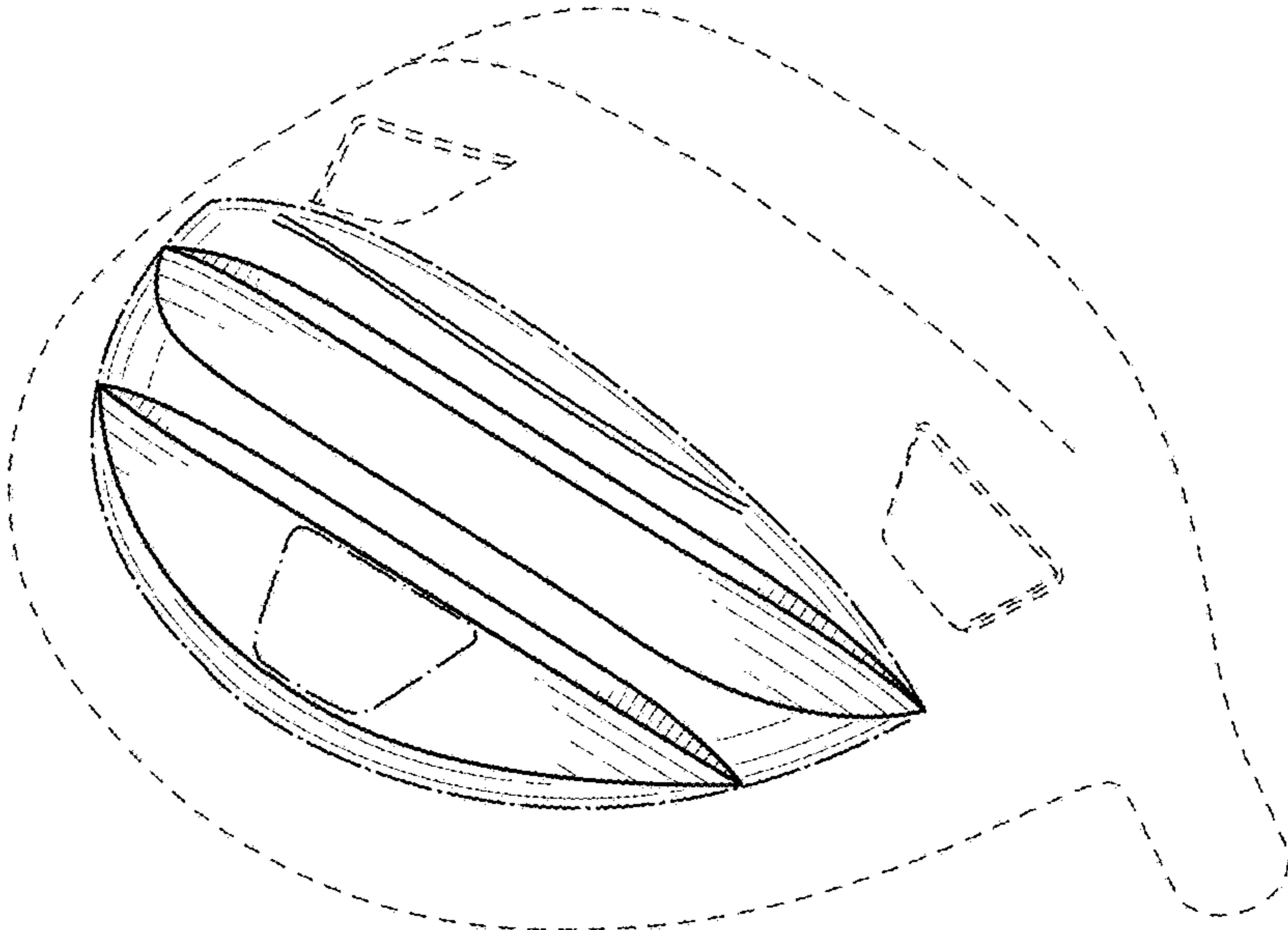


FIG. 1

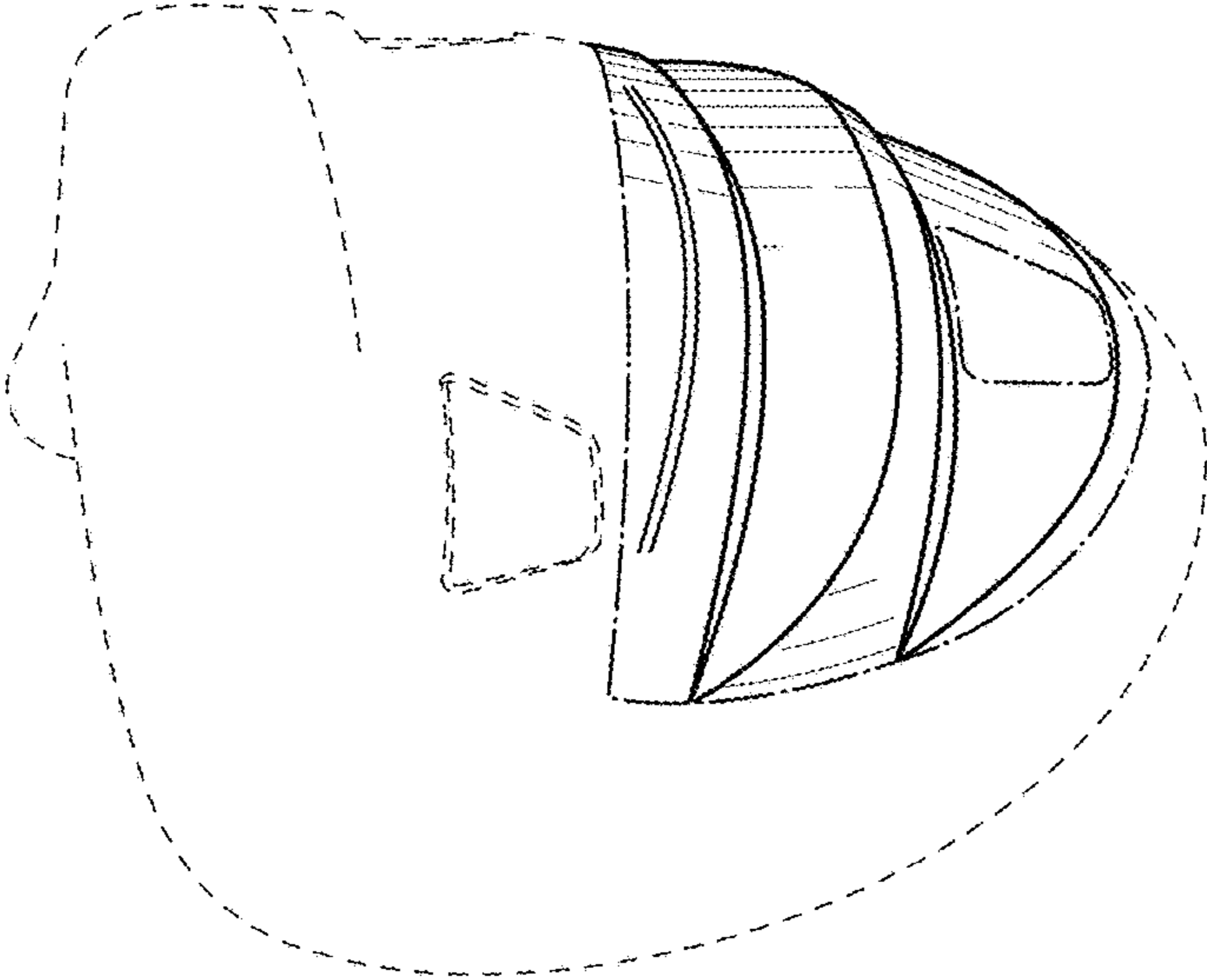


FIG. 2

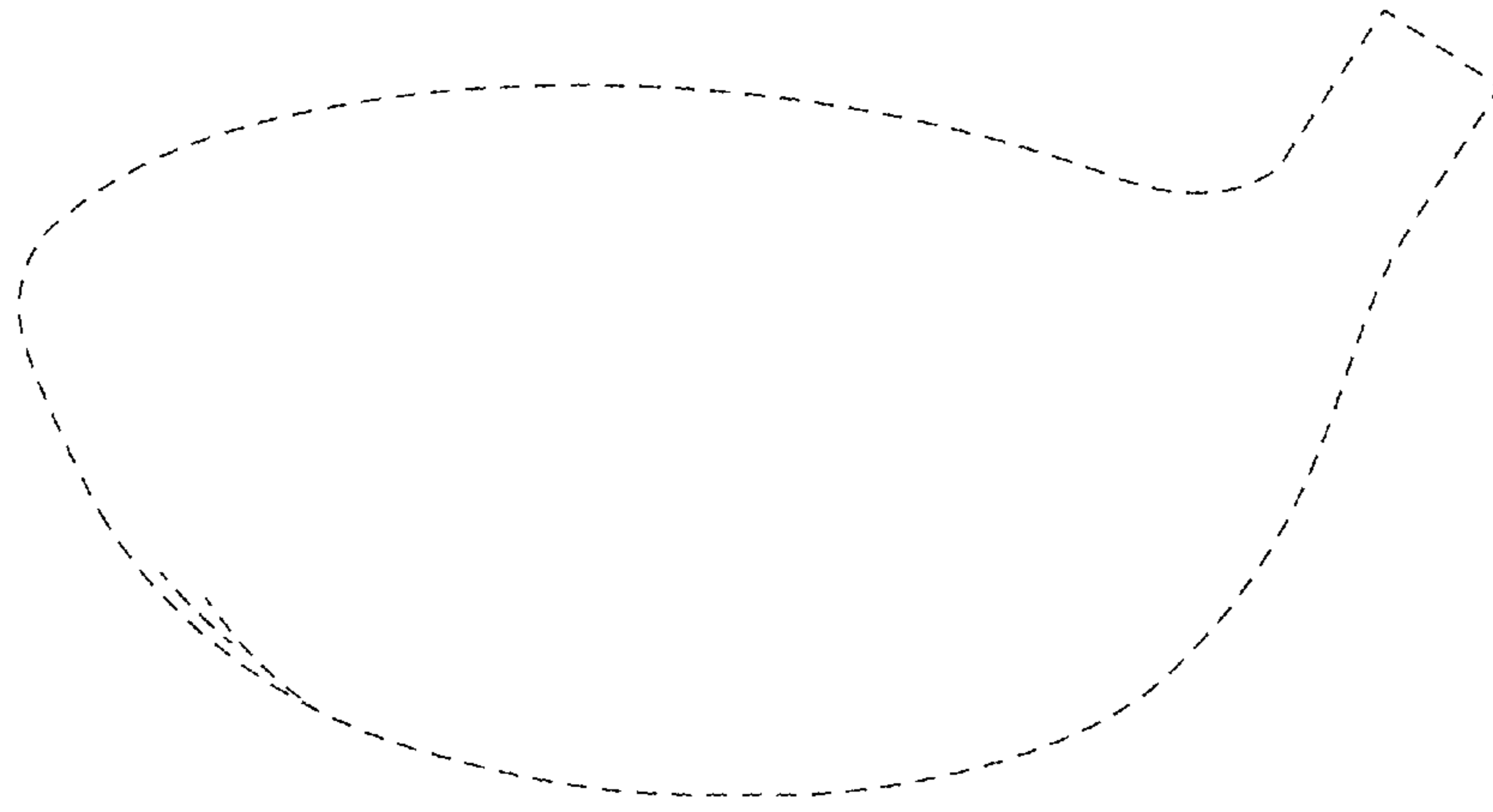


FIG. 3

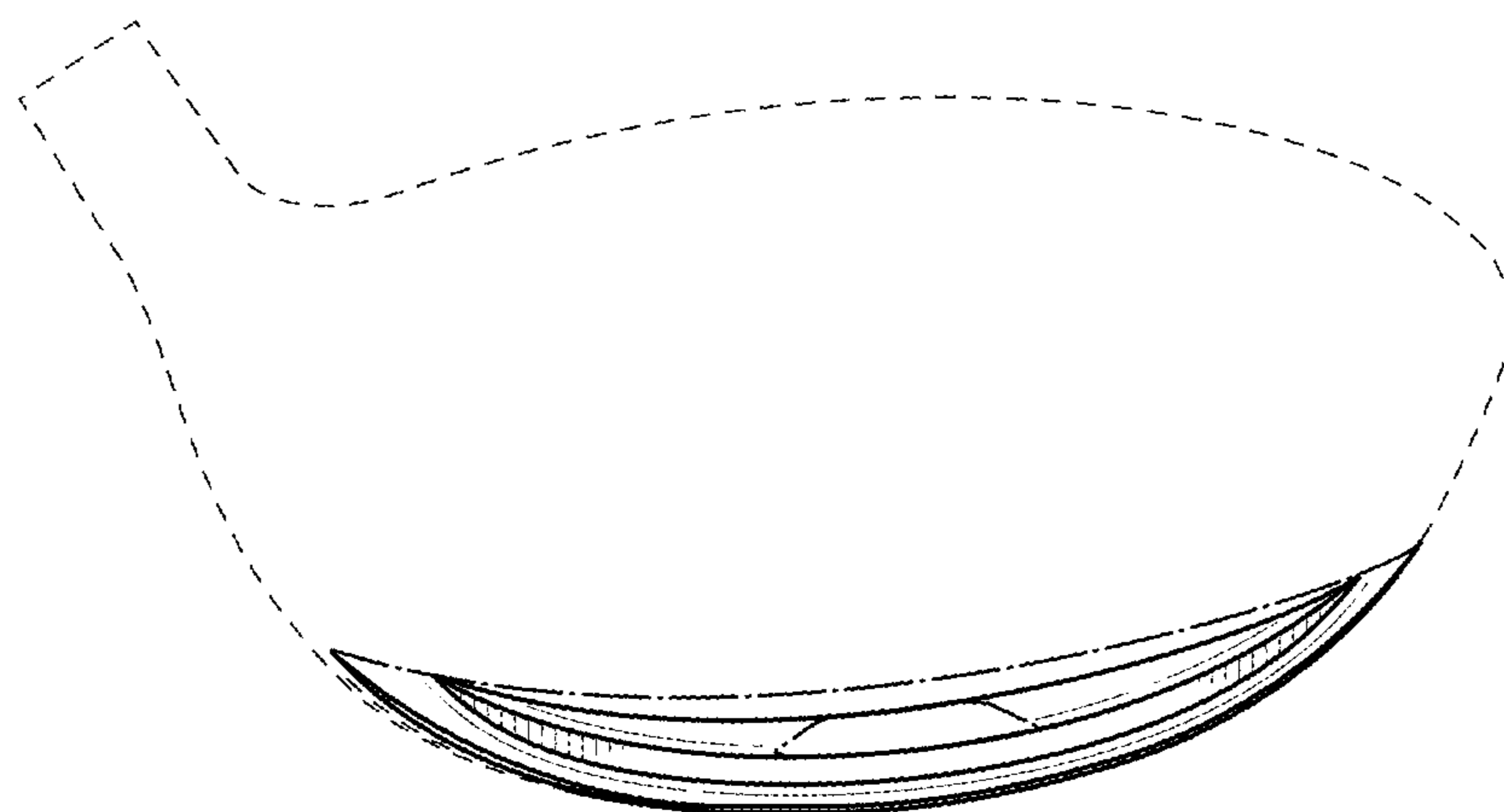


FIG. 4

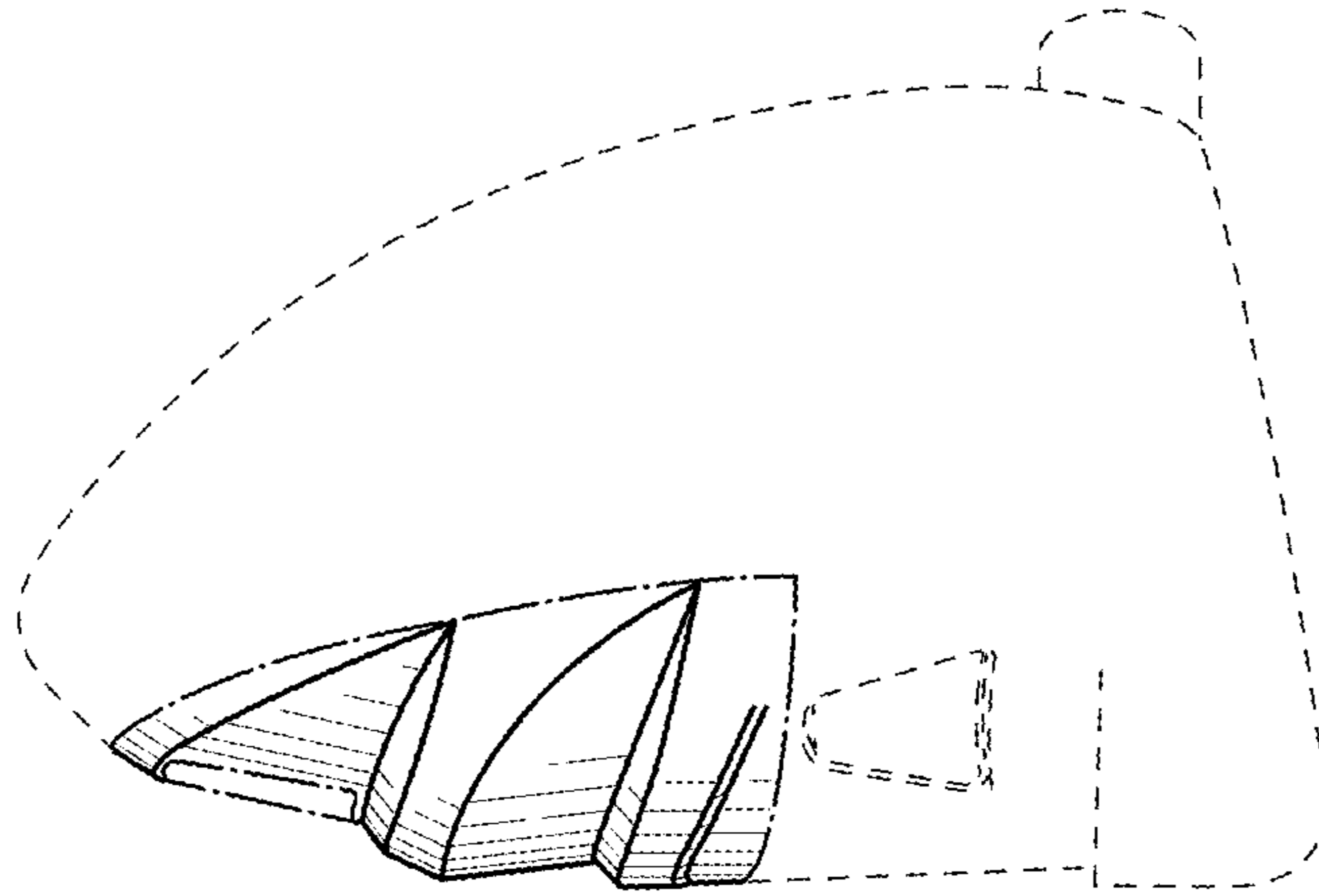


FIG. 5

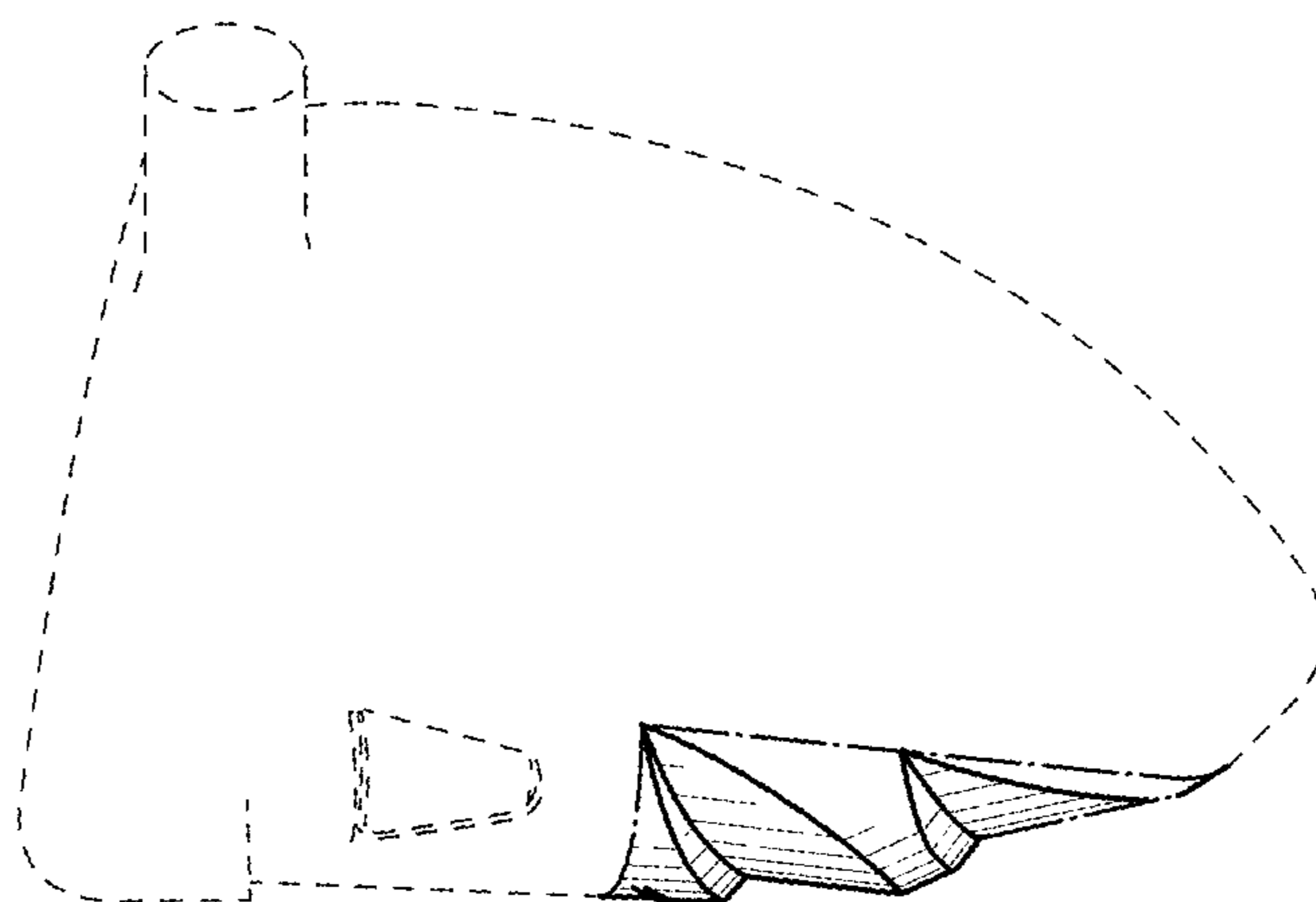


FIG. 6

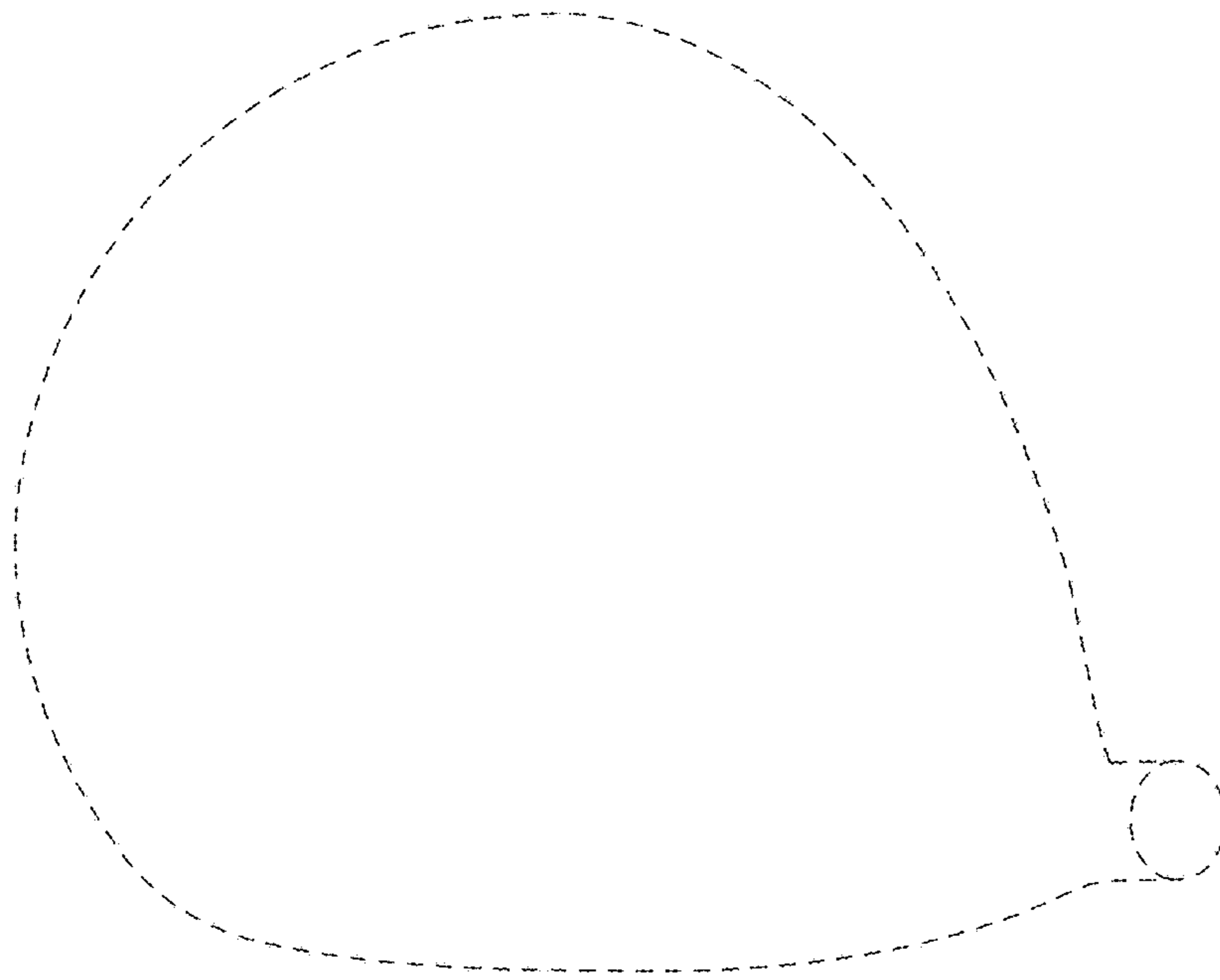


FIG. 7

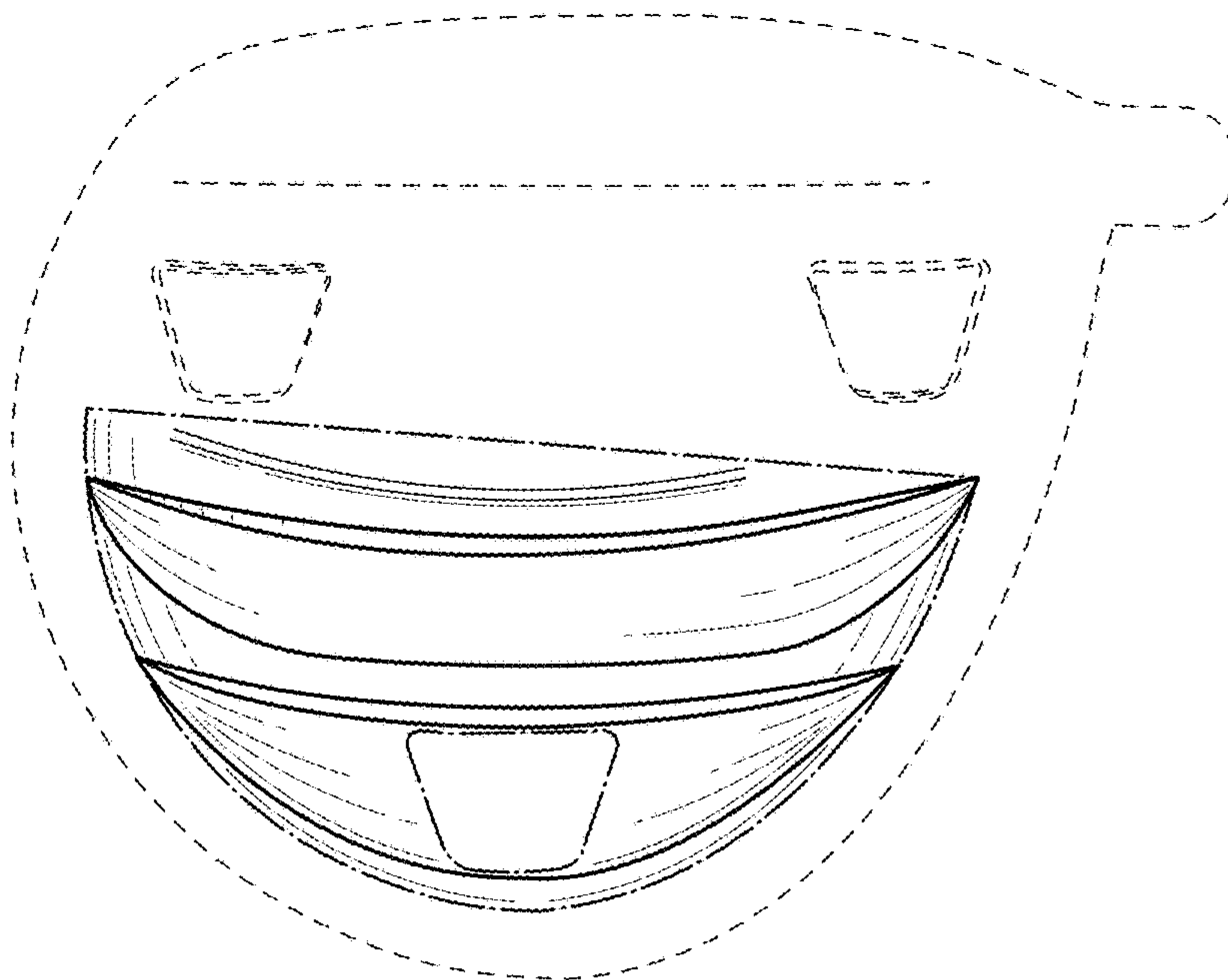


FIG. 8