



US00D781385S

(12) **United States Design Patent**  
**Flick et al.**

(10) **Patent No.:** **US D781,385 S**  
(45) **Date of Patent:** **\*\* Mar. 14, 2017**

(54) **EXERCISE BIKE FOOT PEG**

- (71) Applicant: **NAUTILUS, INC.**, Vancouver, WA (US)
- (72) Inventors: **Edward L. Flick**, Brush Prairie, WA (US); **Bryce C. Baker**, Vancouver, WA (US)
- (73) Assignee: **NAUTILUS, INC.**, Vancouver, WA (US)
- (\*\*) Term: **14 Years**

- (21) Appl. No.: **29/516,449**
- (22) Filed: **Feb. 2, 2015**
- (51) **LOC (10) Cl.** ..... **21-02**
- (52) **U.S. Cl.**  
USPC ..... **D21/694**
- (58) **Field of Classification Search**  
USPC ..... D21/664, 673, 688, 662, 699, 705, 668, D21/769, 690, 788, 698, 534, 669, 302, D21/691, 681, 682, 800, 694, 686, 702, D21/676, 684, 775, 777, 692, 672; 482/122, 142, 123, 129, 128, 93, 106, 74, 482/121, 130, 71, 72, 95, 96, 68, 66, 41, 482/141, 100, 115, 49, 146, 147, 42, 51, 482/35, 38, 23, 904, 91, 28, 140, 907, 86, 482/83, 87, 90, 131, 902, 61, 65, 17, 52,  
(Continued)

(56) **References Cited**

**U.S. PATENT DOCUMENTS**

- 5,797,165 A \* 8/1998 Armbrust ..... A63B 23/16 16/422
  - D445,759 S \* 7/2001 Insley ..... D13/107
- (Continued)

**OTHER PUBLICATIONS**

Schwinn Airdyne Pro by Rogue dated Jan. 30, 2016. Found online [Sep. 29, 2016] <http://www.roguefitness.com/schwinn-airdyne-ad-pro>.\*

*Primary Examiner* — Robert M Spear

*Assistant Examiner* — Ryan Harvey

(74) *Attorney, Agent, or Firm* — Dorsey & Whitney LLP

(57) **CLAIM**

We claim the ornamental design for an exercise bike foot peg, as shown and described.

**DESCRIPTION**

FIG. 1 shows a top front isometric view of an exercise bike foot peg associated with unclaimed environmental structure in accordance with the present design.

FIG. 2 shows an enlarged top front isometric view of the exercise bike foot peg of FIG. 1.

FIG. 3 shows a front elevation view of the exercise bike foot peg of FIG. 2.

FIG. 4 shows a rear elevation view of the exercise bike foot peg of FIG. 2.

FIG. 5 shows a left side elevation view of the exercise bike foot peg of FIG. 2.

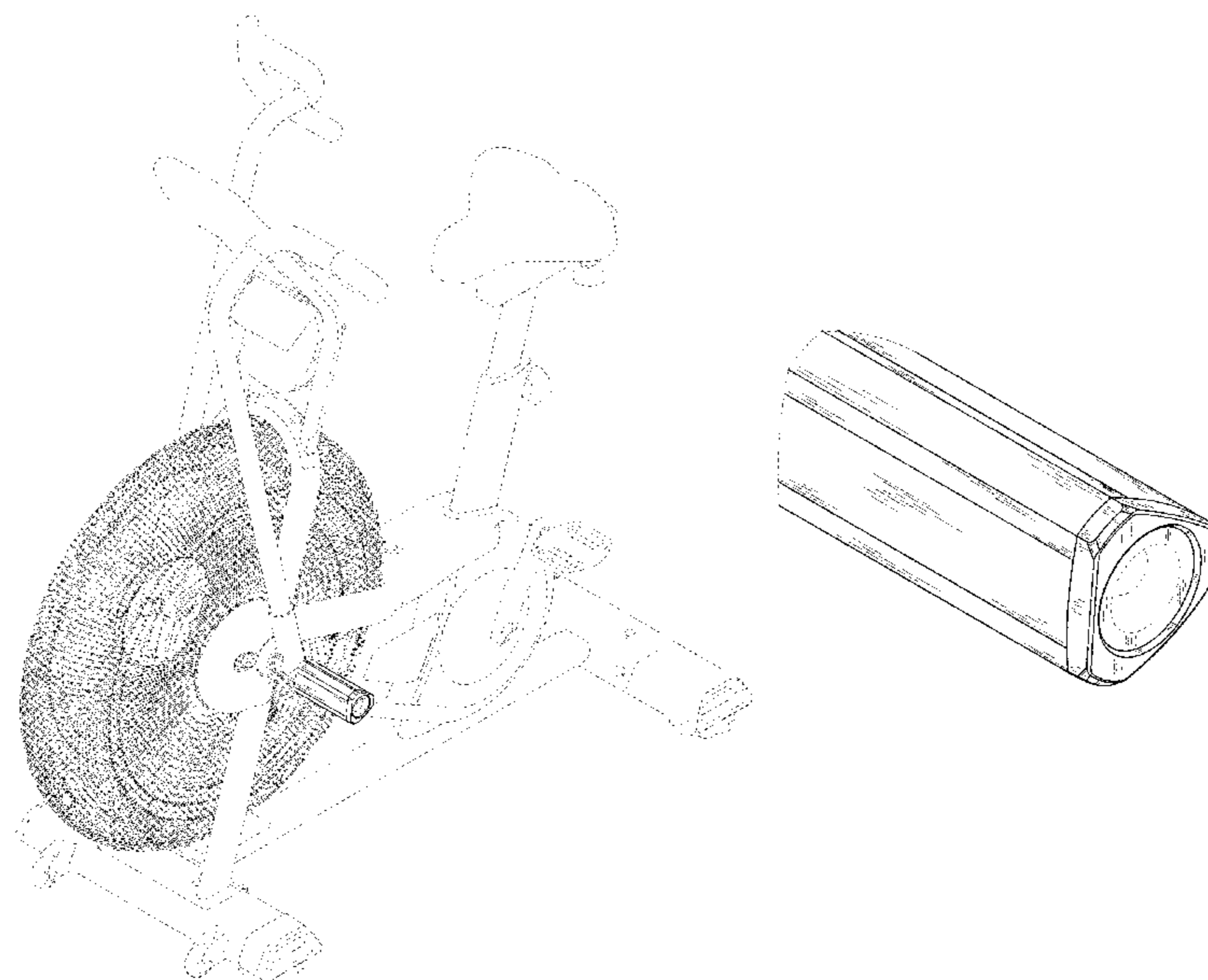
FIG. 6 shows a right side elevation view of the exercise bike foot peg of FIG. 2.

FIG. 7 shows a top plan view of the exercise bike foot peg of FIG. 2; and,

FIG. 8 shows a bottom plan view of the exercise bike foot peg of FIG. 2.

The broken lines representing the exercise bike in FIG. 1, including the console, fan cage, foot pedals, frame, handles, and seat, illustrate unclaimed environmental structure that forms no part of the claimed design. The remaining broken lines in FIGS. 1-8 illustrate portions of the exercise bike foot peg that form no part of the claimed design.

**1 Claim, 5 Drawing Sheets**



(58) **Field of Classification Search**

USPC ..... 482/62, 107, 108, 54, 105, 133, 148, 92,  
482/138, 12; 473/432, 445, 441, 197,  
473/434, 438, 454, 478, 447, 422, 476;  
D12/317, 9, 6, 8, 130, 115, 114; 273/400,  
273/407, 396; D8/303, 499, 107, 14;  
D11/87, 86, 80, 103, 2, 56, 93, 13;  
16/430, 421; D26/49, 37; D24/107;  
74/551.9; 59/82, 80; 24/658, 303  
CPC ..... A63B 21/0552; A63B 21/00069; A63B  
21/4035; A63B 21/0557; A63B 21/0442;  
A63B 2208/0204; A63B 21/4043; A63B  
23/12; A63B 21/0004

See application file for complete search history.

(56) **References Cited**

U.S. PATENT DOCUMENTS

D688,338 S *	8/2013	Bisson .....	D21/662
D699,795 S *	2/2014	Rauwerdink .....	D21/665
D699,796 S *	2/2014	Flick .....	D21/665
D739,484 S *	9/2015	Kaye .....	D21/694
D767,049 S *	9/2016	Flick .....	D21/667

\* cited by examiner

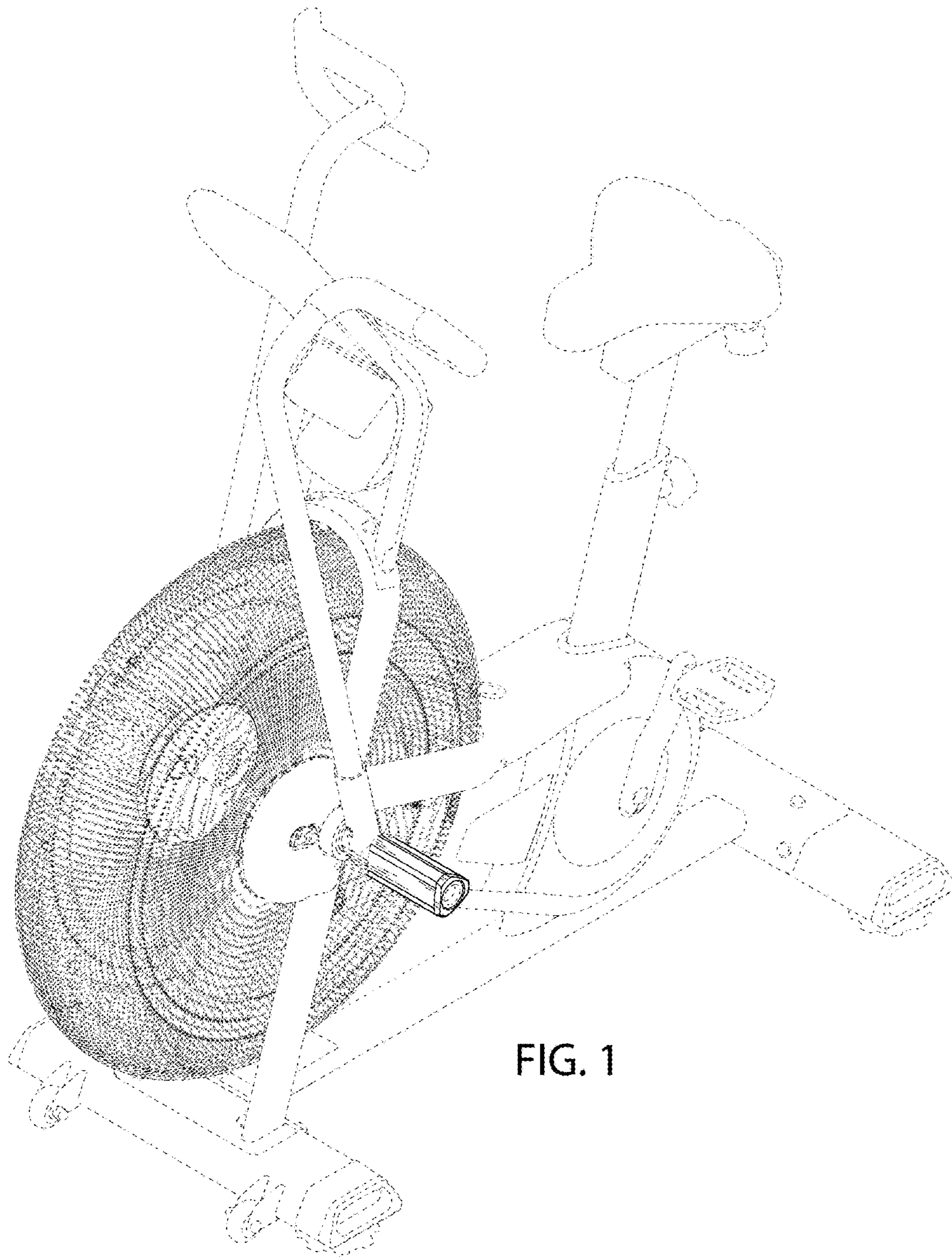


FIG. 1

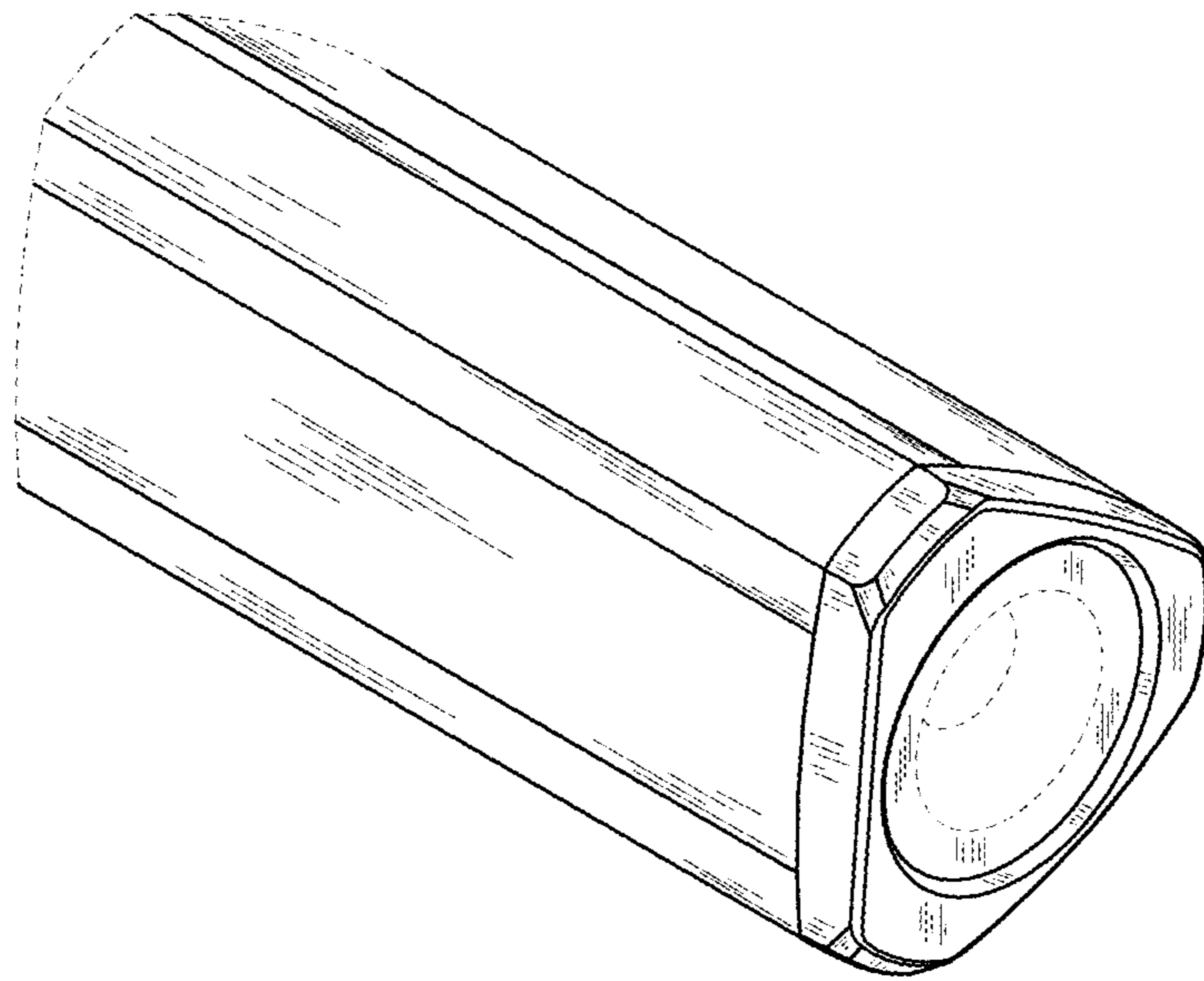


FIG. 2

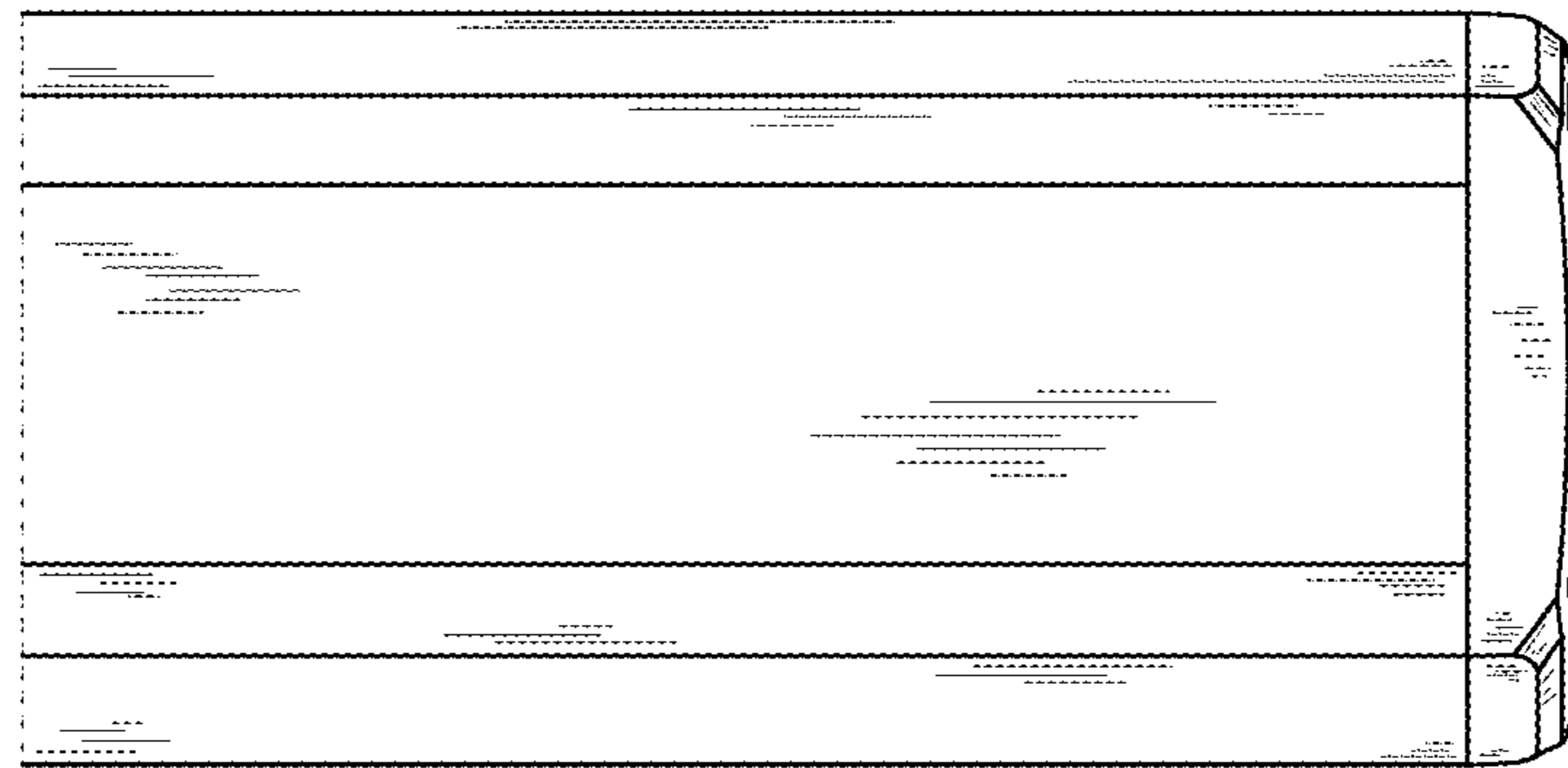


FIG. 3

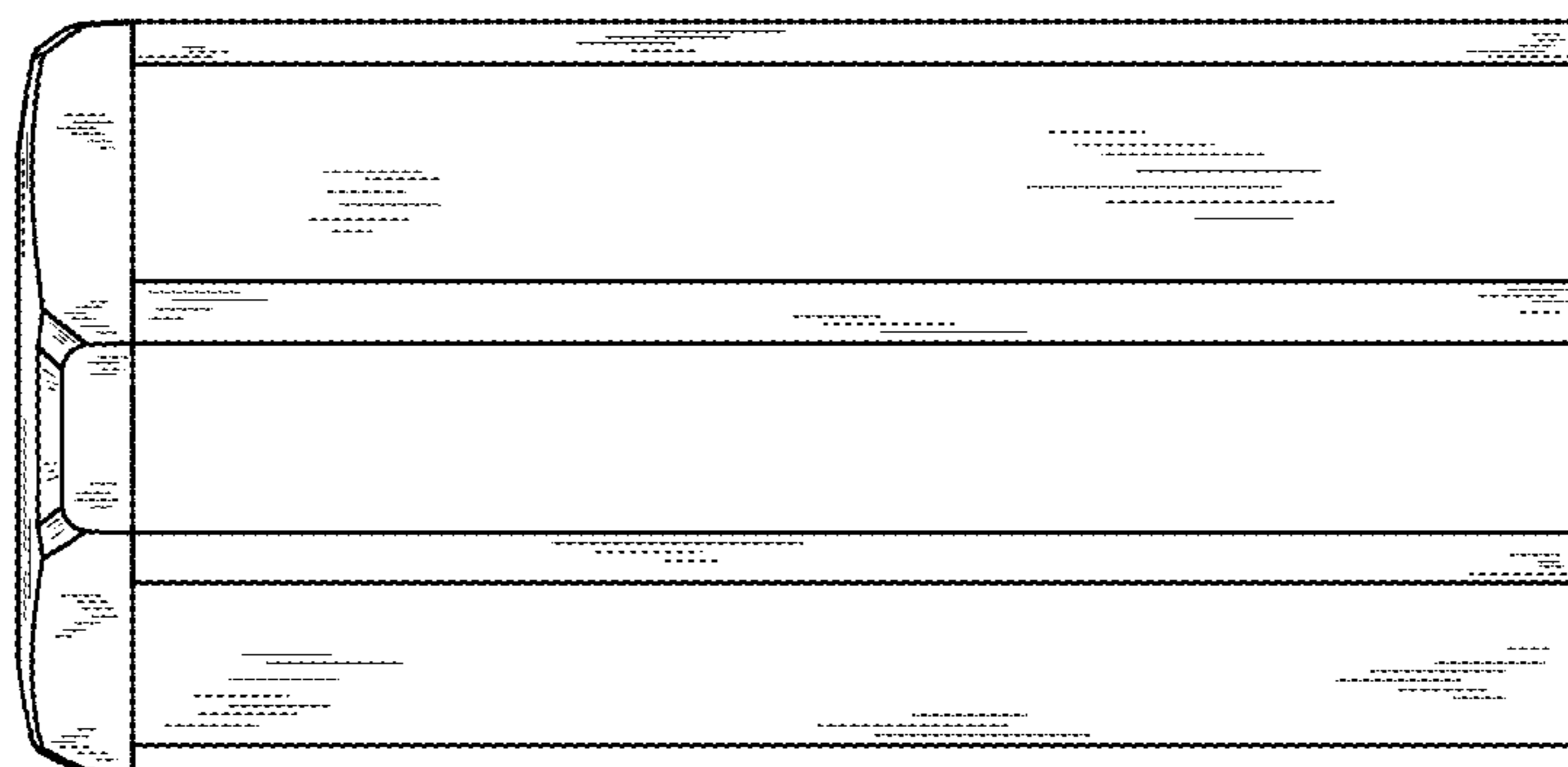


FIG. 4

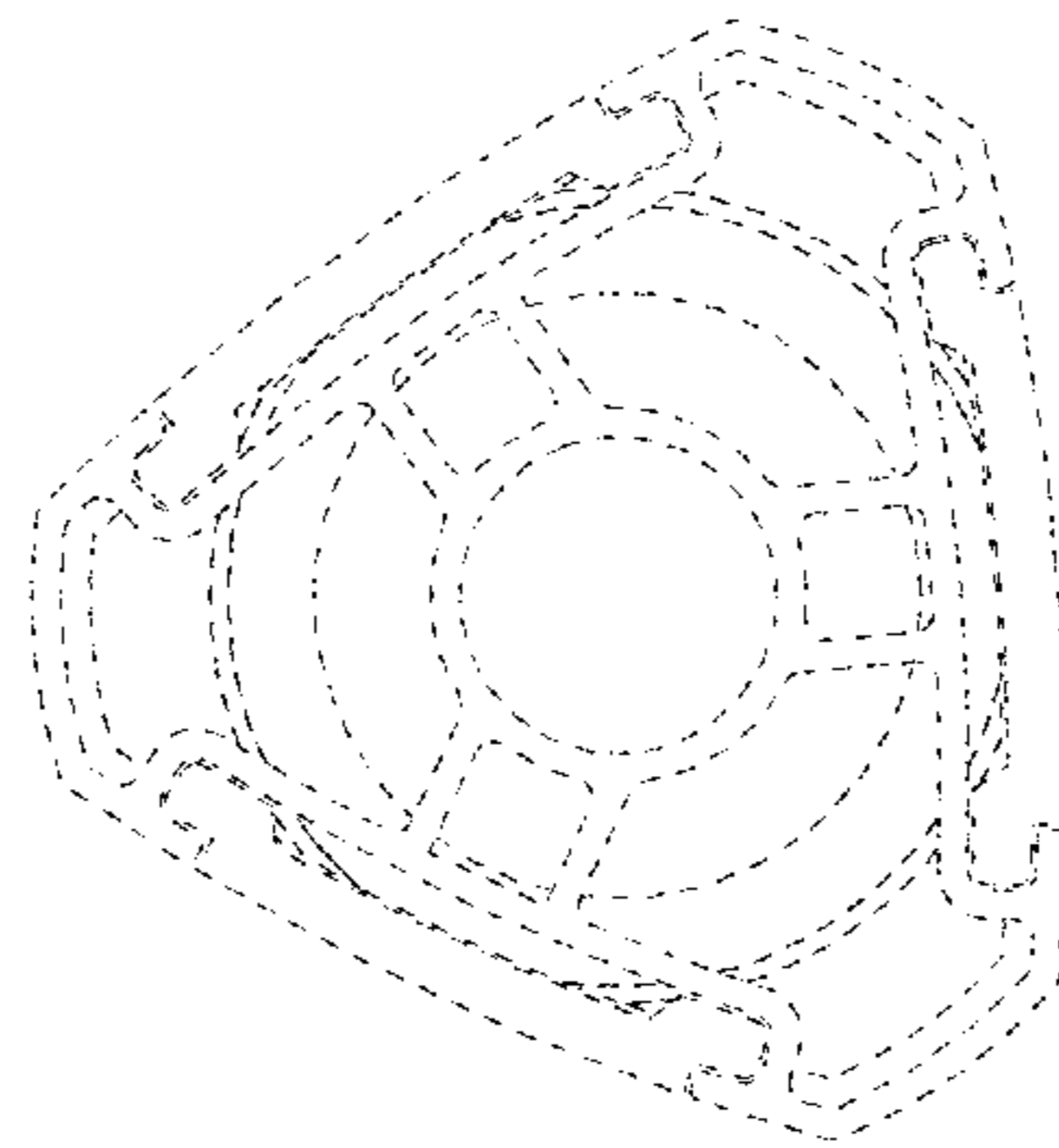


FIG. 5

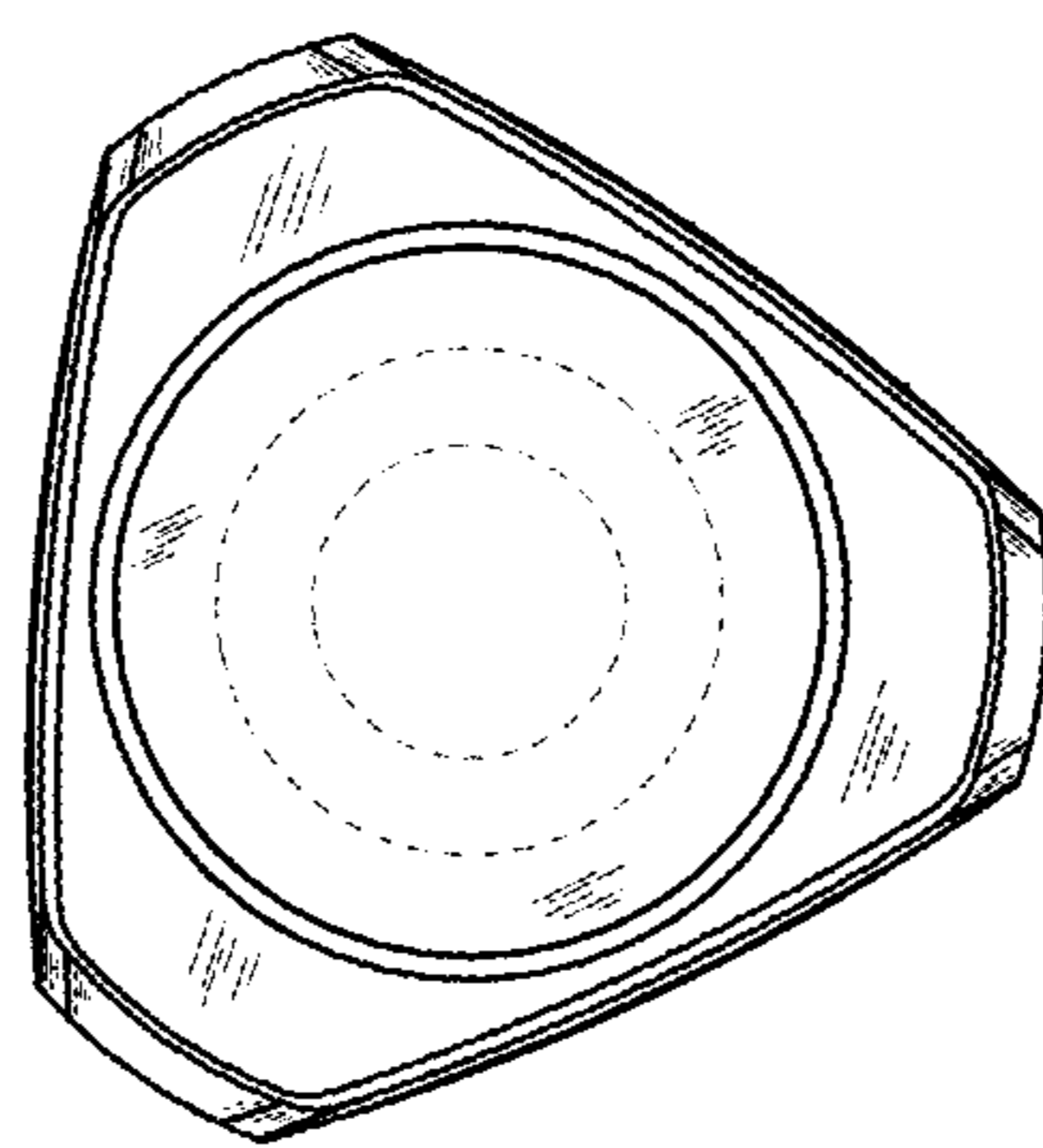


FIG. 6

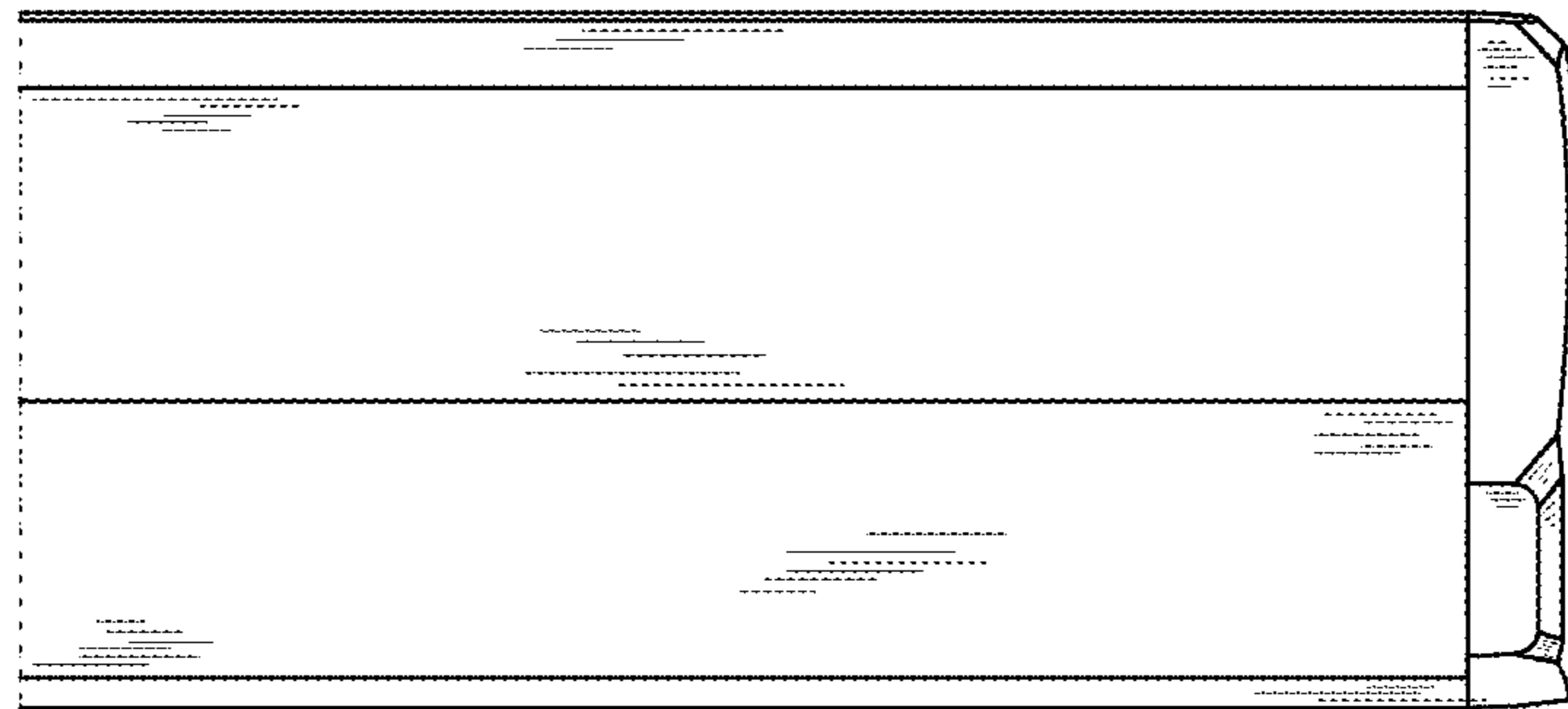


FIG. 7

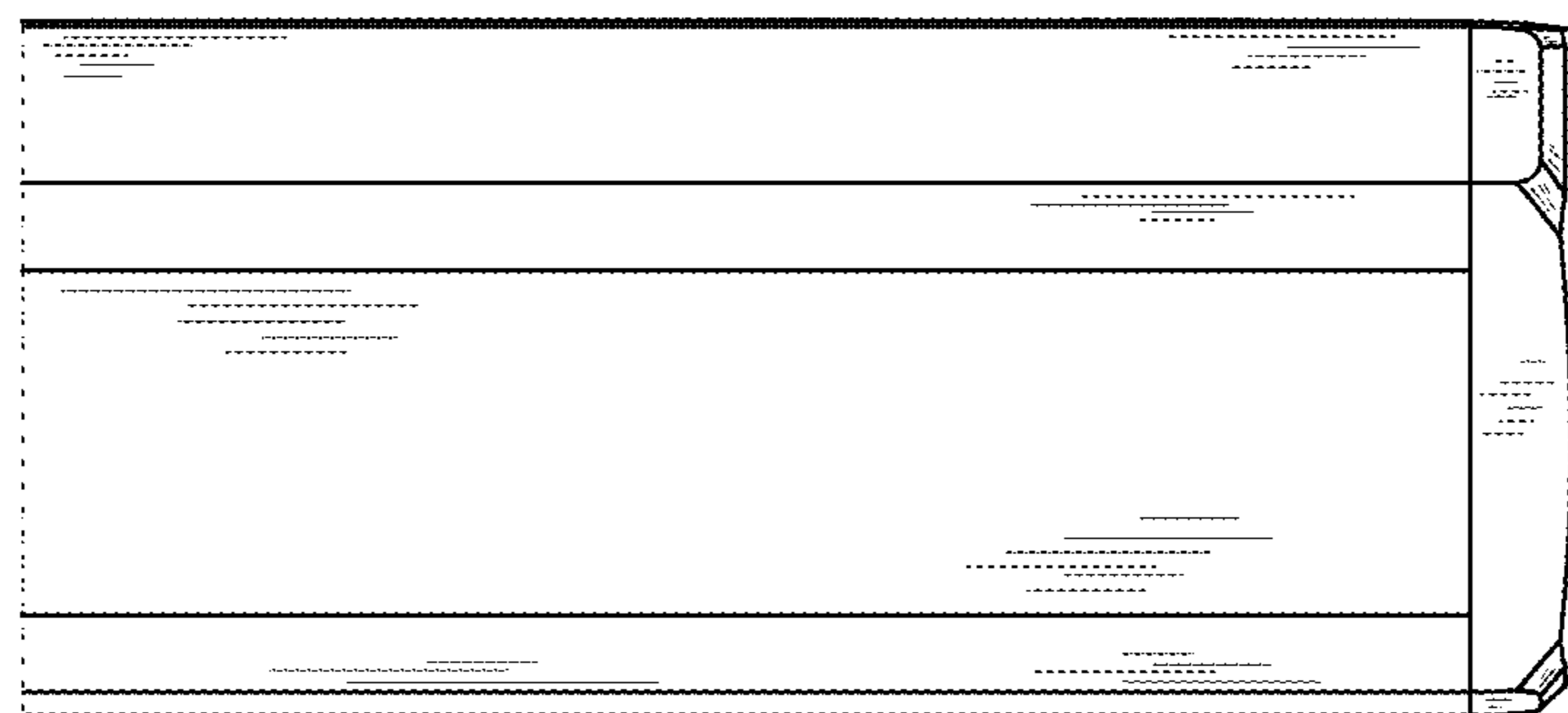


FIG. 8