



US00D781384S

(12) **United States Design Patent**
Ho et al.

(10) **Patent No.:** **US D781,384 S**
(45) **Date of Patent:** **** *Mar. 14, 2017**

(54) **STEPPER EXERCISE DEVICE**

(71) Applicants: **Wei-Teh Ho**, Taipei (TW); **Willy Wei Yu Ho**, Taipei (TW)

(72) Inventors: **Wei-Teh Ho**, Taipei (TW); **Willy Wei Yu Ho**, Taipei (TW)

(*) Notice: This patent is subject to a terminal disclaimer.

(**) Term: **15 Years**

(21) Appl. No.: **29/545,066**

(22) Filed: **Nov. 9, 2015**

Related U.S. Application Data

(63) Continuation-in-part of application No. 29/537,263, filed on Aug. 24, 2015.

(51) **LOC (10) Cl.** **21-02**

(52) **U.S. Cl.**
USPC **D21/670**

(58) **Field of Classification Search**

USPC 482/142, 53, 79, 132, 147, 908, 49, 123, 482/129, 128, 127, 138, 112, 80, 146, 482/130, 118, 34, 126, 51; 601/32, 105, 601/148, 152, 27, 29, 46; D21/688, 668, D21/670, 697, 694, 685, 673, 671; 188/83; D24/188, 212, 215; D6/349, 351
CPC . A63B 23/08; A63B 21/0552; A63B 21/4015; A63B 21/0442; A63B 21/0557; A63B 2208/0204
See application file for complete search history.

(56) **References Cited**

U.S. PATENT DOCUMENTS

4,159,111 A * 6/1979 Lowth A63B 22/0056 188/83
5,290,204 A * 3/1994 Lee A63B 22/0056 482/112

5,348,520 A * 9/1994 Chang A63B 21/0552 482/123
6,224,515 B1 * 5/2001 Chen A63B 22/0056 482/53
6,315,697 B1 * 11/2001 Chen A63B 22/0056 482/146
6,435,073 B1 * 8/2002 Chen A63B 21/0083 482/53
D465,001 S * 10/2002 Chiang-Chow D21/668
D466,567 S * 12/2002 Chen D21/668
6,709,367 B1 * 3/2004 Liang A63B 22/0058 482/146
D496,700 S * 9/2004 Chen D21/668
D498,506 S * 11/2004 Yu D21/668
6,830,539 B2 * 12/2004 Chuang A63B 23/0429 482/112

(Continued)

Primary Examiner — Robert M Spear

Assistant Examiner — Ryan Harvey

(74) *Attorney, Agent, or Firm* — Blakely, Sokoloff, Taylor & Zafman LLP

(57) **CLAIM**

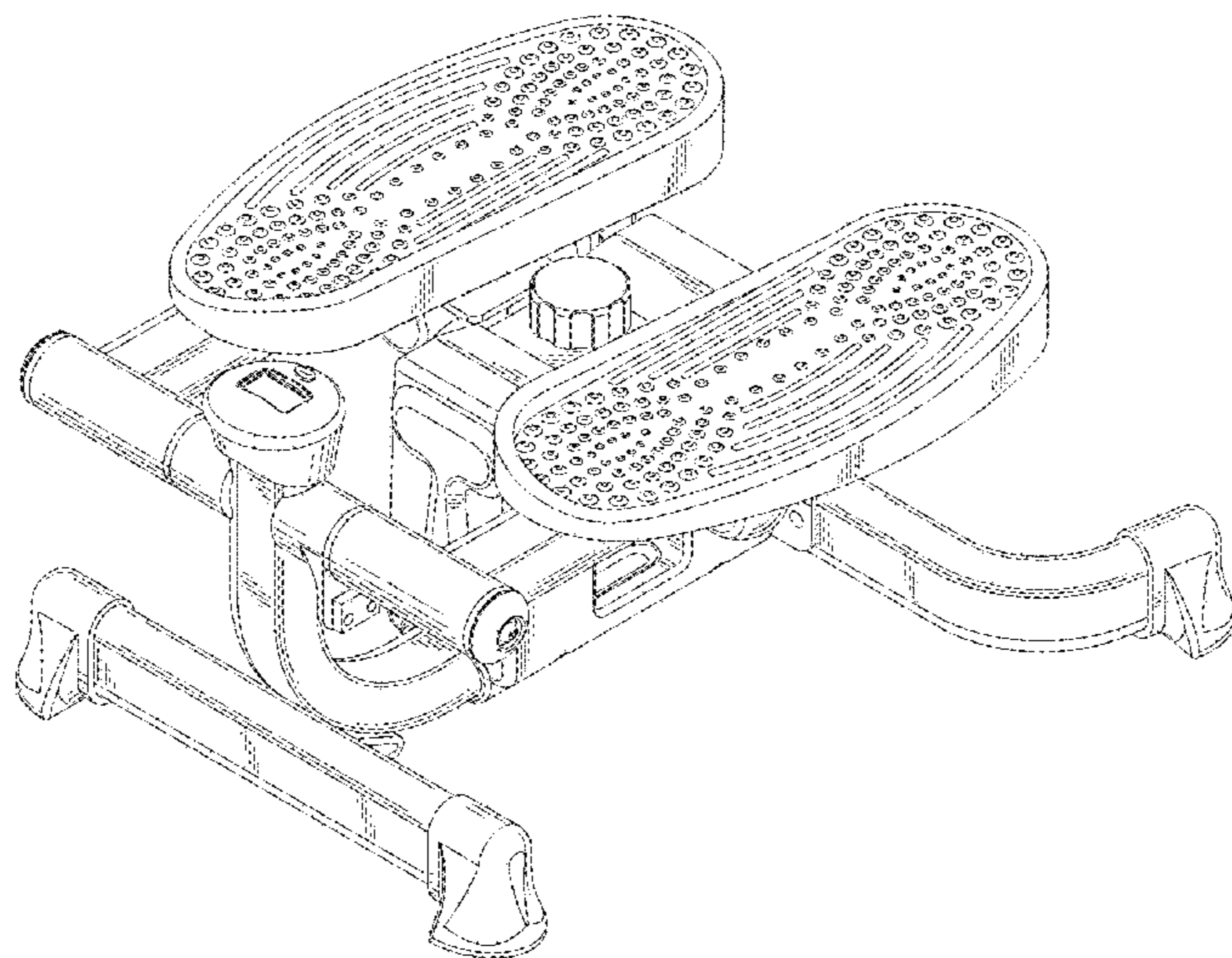
The ornamental design for a stepper exercise device, as shown and described.

DESCRIPTION

FIG. 1 is a perspective view of the new design for a stepper exercise device;
FIG. 2 is a front view of the new design;
FIG. 3 is a rear view of the new design;
FIG. 4 is a right side view of the new design;
FIG. 5 is a left side view of the new design;
FIG. 6 is a top view of the new design; and,
FIG. 7 is a bottom view of the new design.

The broken line showing of portions of the stepper exercise device depicts environment and forms no part of the claim.

1 Claim, 7 Drawing Sheets



(56)

References Cited

U.S. PATENT DOCUMENTS

6,918,857 B2 *	7/2005	Chen	A63B 22/0056 482/53	D728,707 S *	5/2015	Colburn	D21/663
D514,635 S *	2/2006	Hsiao	D21/670	2003/0017916 A1 *	1/2003	Juan	A63B 22/0056 482/51
D519,583 S *	4/2006	Chen	D21/668	2003/0216224 A1 *	11/2003	Chuang	A63B 22/0056 482/53
7,384,378 B2 *	6/2008	Chen	A63B 22/0069 482/53	2005/0049116 A1 *	3/2005	Huang	A63B 22/0064 482/51
7,462,137 B2 *	12/2008	Yang	A63B 22/001 482/53	2005/0070403 A1 *	3/2005	Yu	A63B 21/0083 482/53
7,465,255 B2 *	12/2008	Chen	A63B 21/0087 482/53	2005/0227818 A1 *	10/2005	Liao	A63B 21/015 482/53
7,530,927 B2 *	5/2009	Chuang	A63B 21/0552 482/53	2007/0202996 A1 *	8/2007	Lu	A63B 22/0056 482/52
7,637,849 B2 *	12/2009	Chen	A63B 22/0012 482/52	2007/0254782 A1 *	11/2007	Chen	A63B 22/0056 482/53
7,878,948 B2 *	2/2011	Chen	A63B 22/0012 482/52	2008/0020904 A1 *	1/2008	Ho	A63B 22/0069 482/52
7,878,949 B2 *	2/2011	Chen	A63B 21/0552 482/52	2008/0026916 A1 *	1/2008	Chuang	A63B 22/0064 482/53
7,896,780 B2 *	3/2011	Chen	A63B 23/0429 482/52	2010/0144495 A1 *	6/2010	Chen	A63B 22/0069 482/52
8,152,698 B1 *	4/2012	Chen	A63B 22/00 482/53	2013/0316879 A1 *	11/2013	Prats	A63B 71/0619 482/53

* cited by examiner

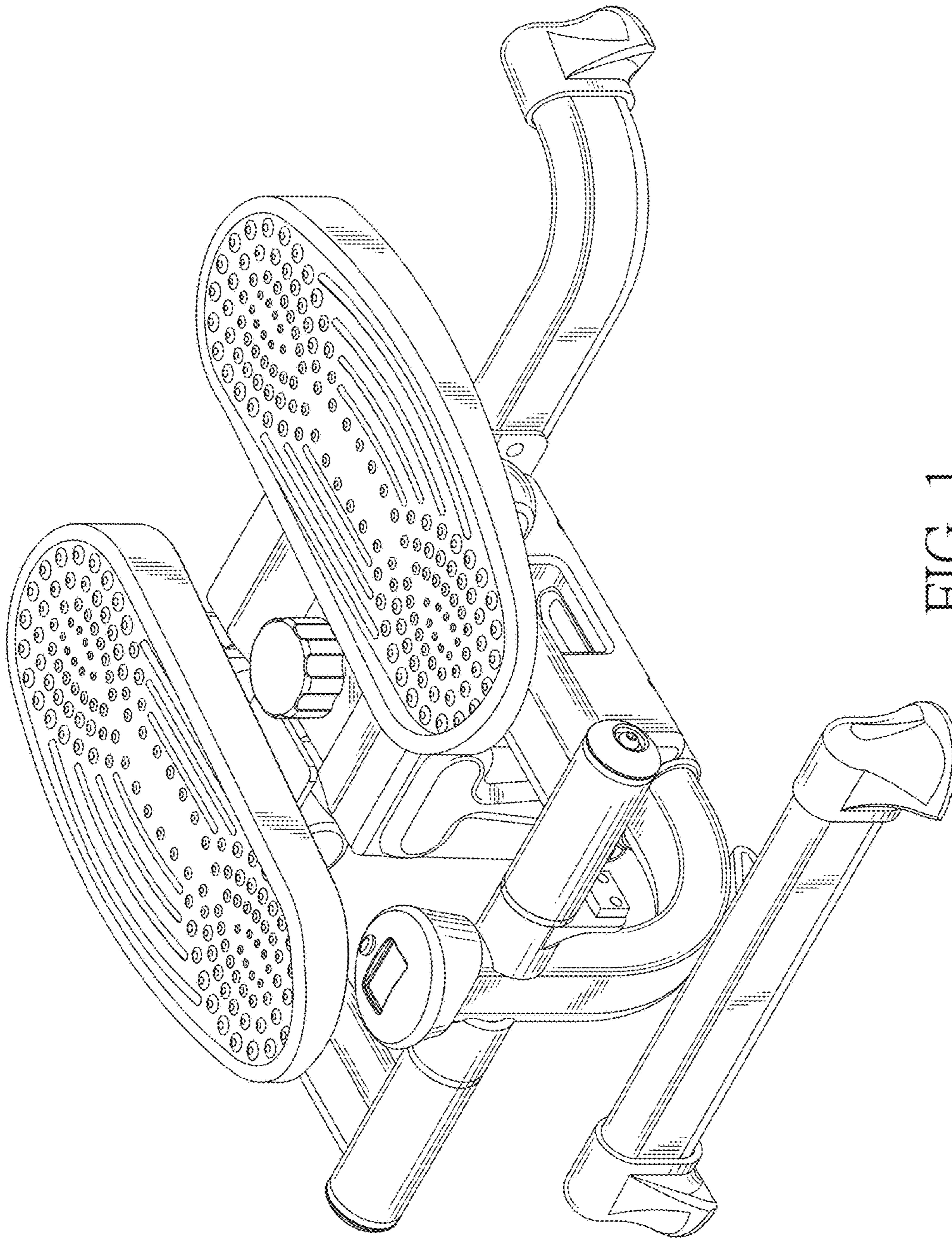


FIG. 1

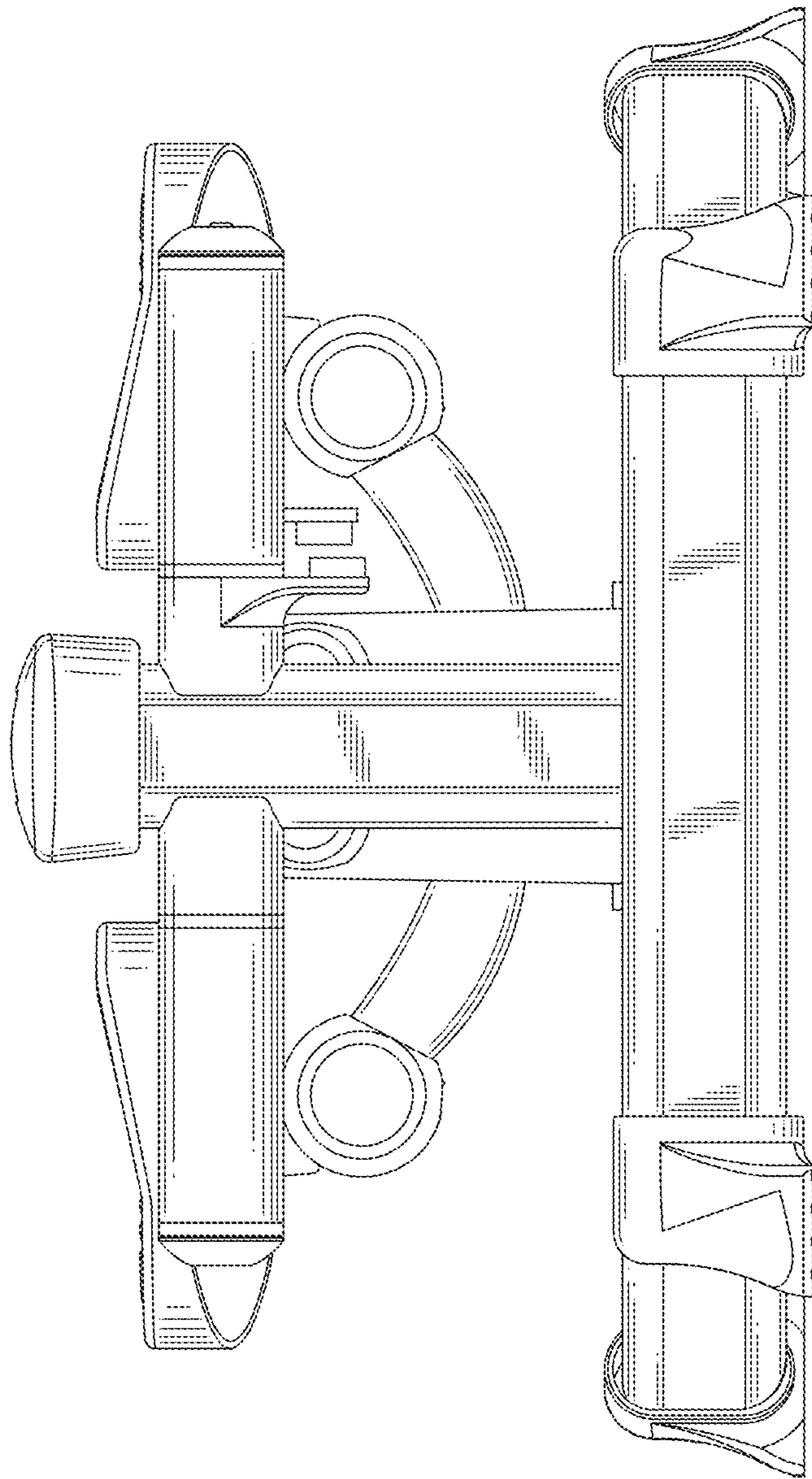


FIG. 2

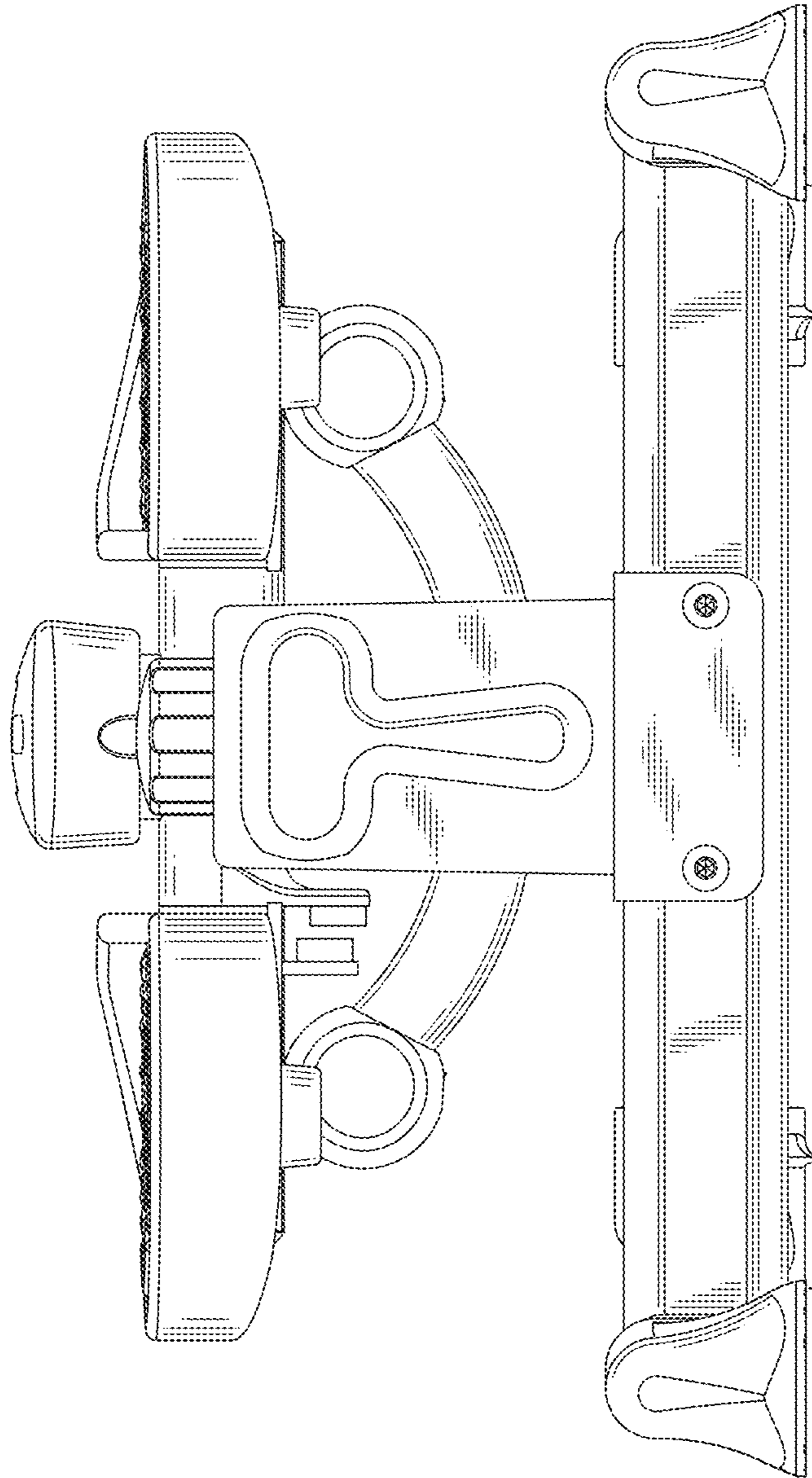


FIG. 3

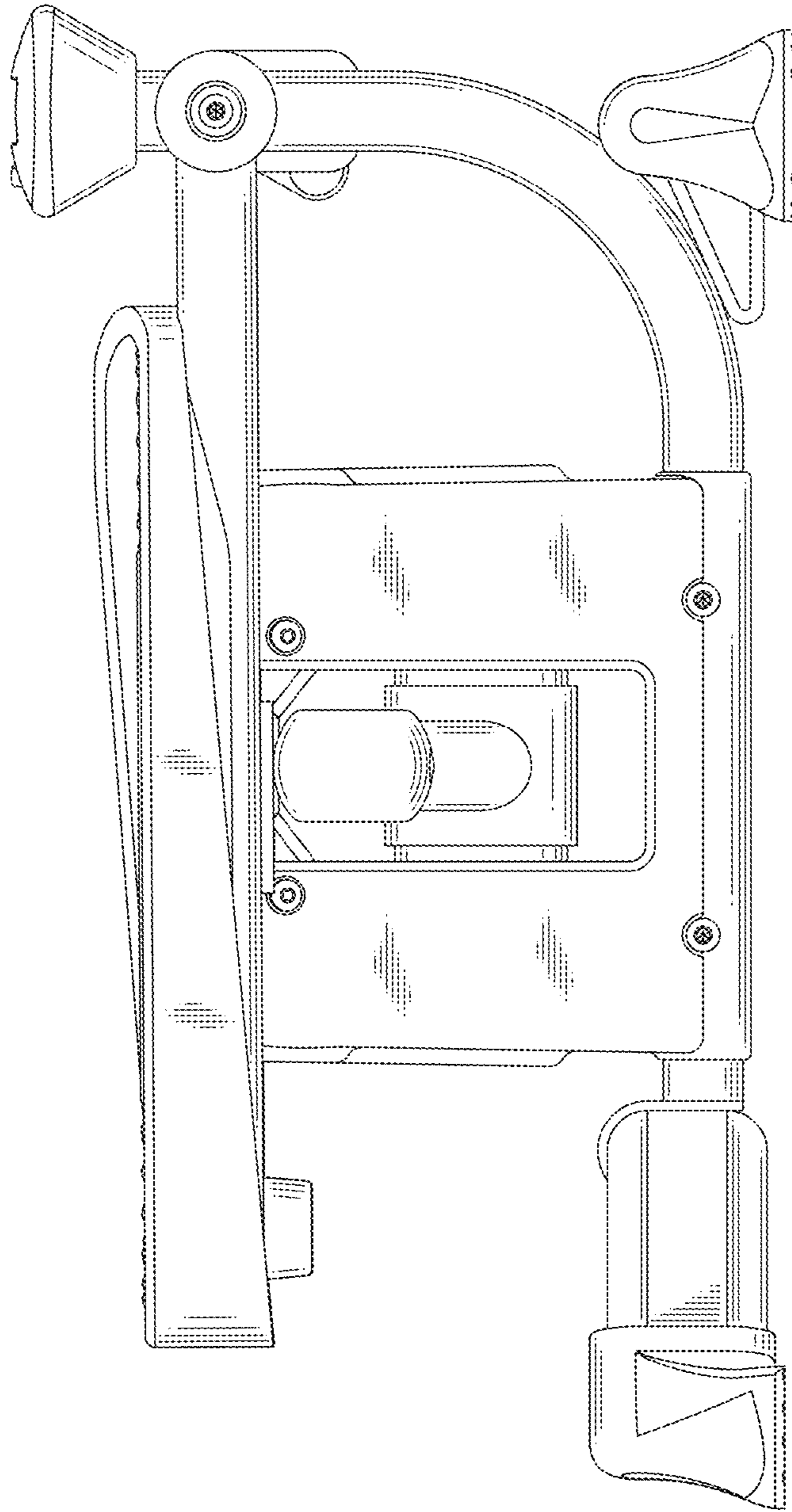


FIG. 4

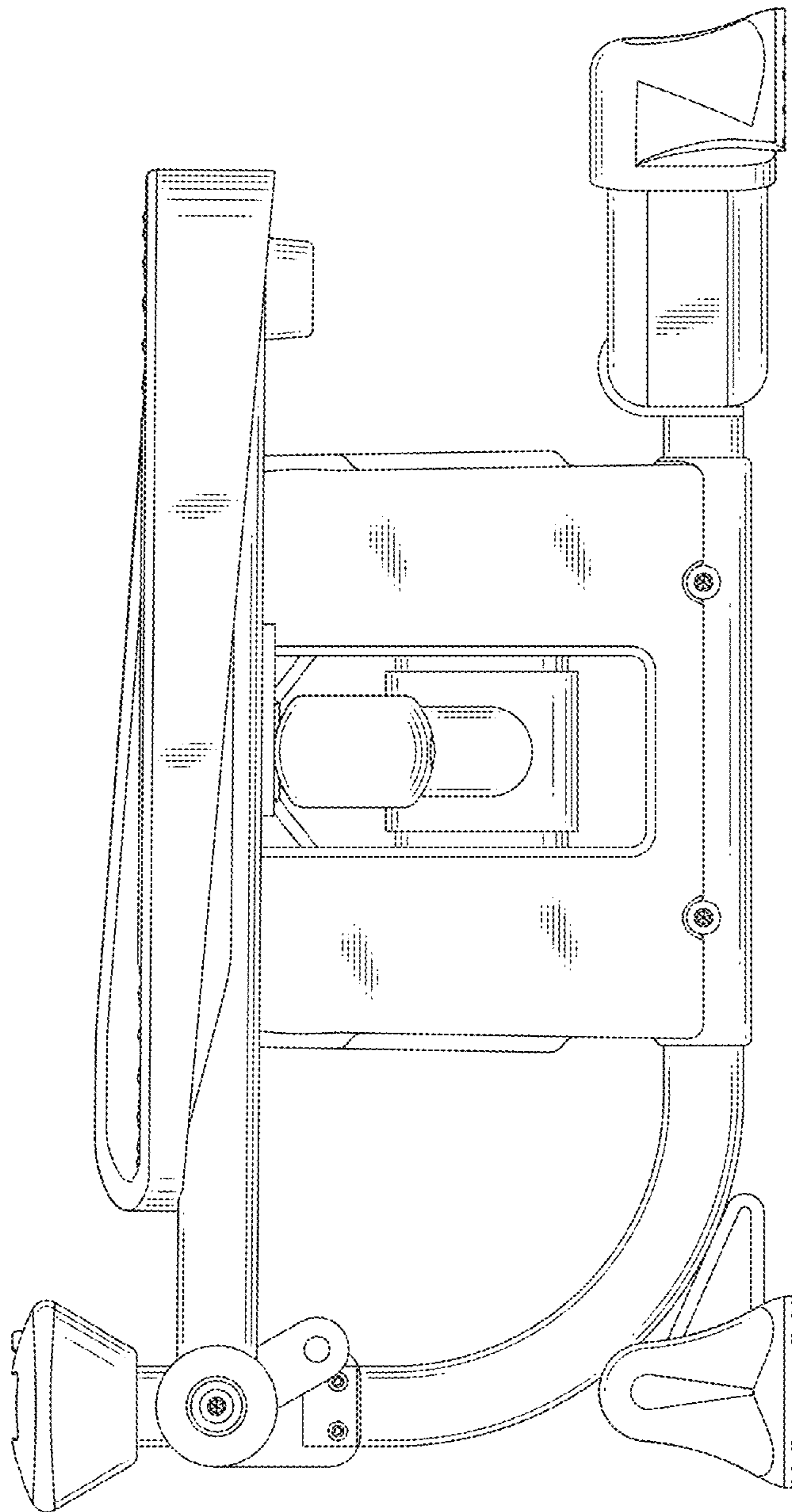


FIG. 5

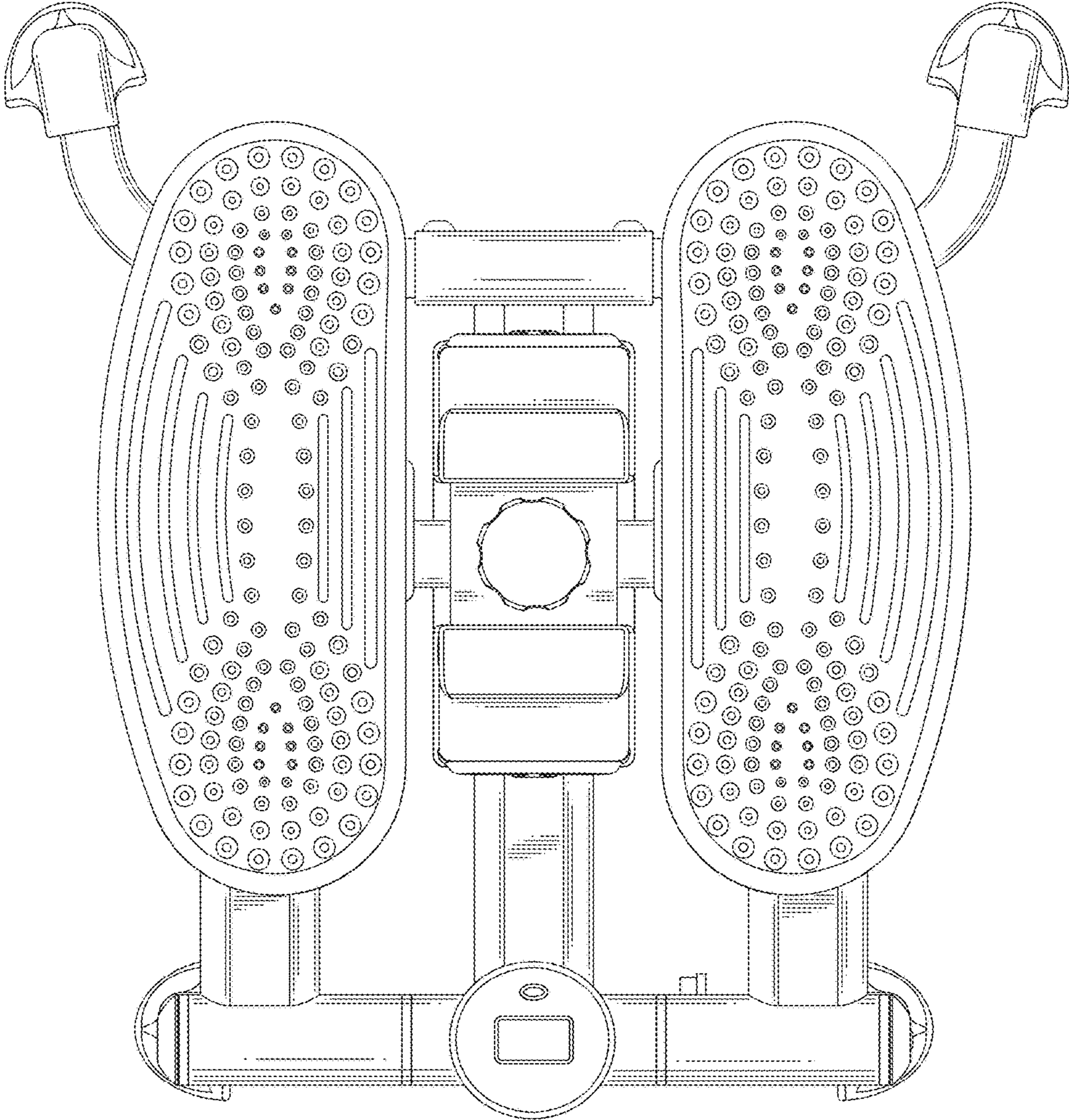


FIG. 6

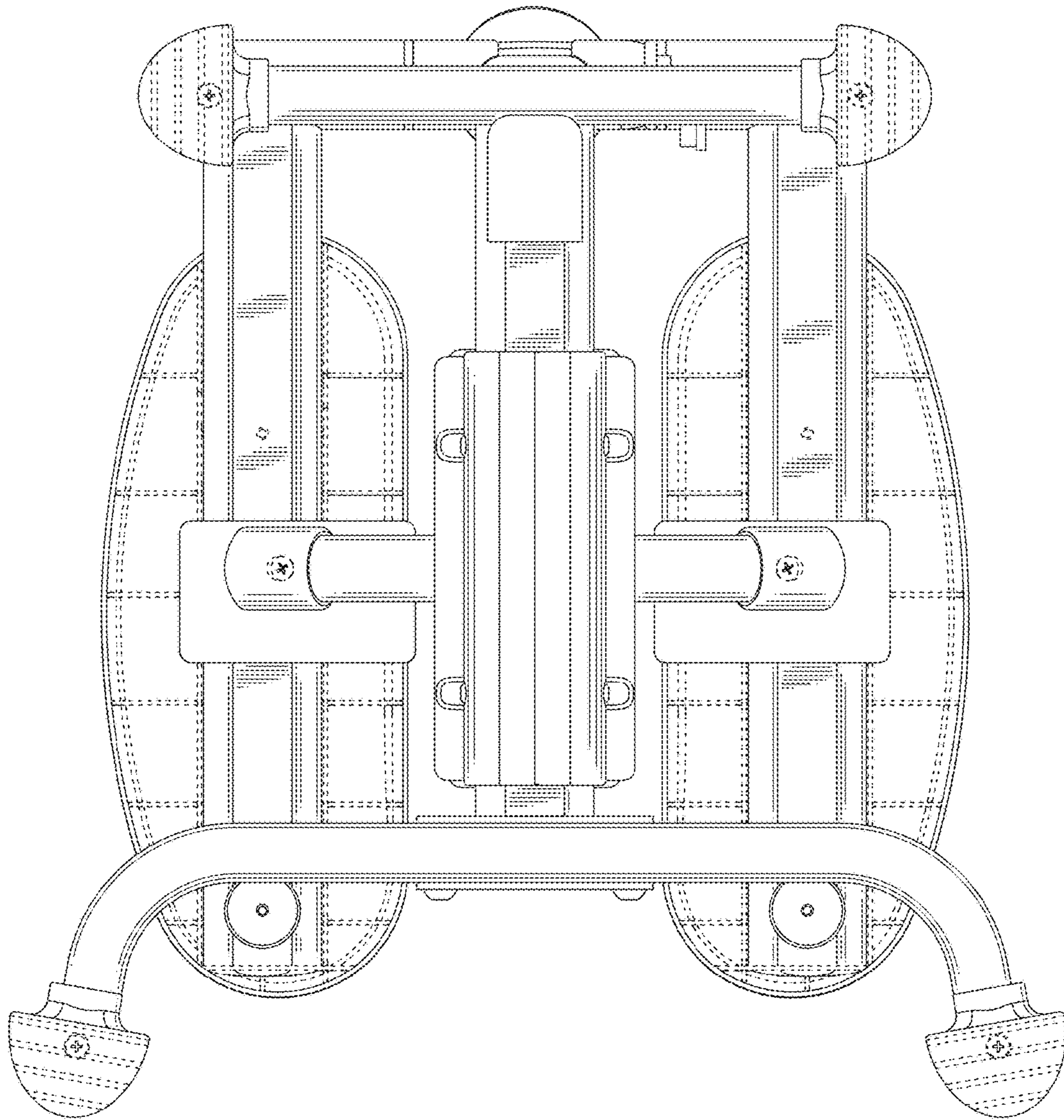


FIG. 7