



US00D781383S

(12) **United States Design Patent**
Ho et al.

(10) **Patent No.:** **US D781,383 S**
(45) **Date of Patent:** **** Mar. 14, 2017**

(54) **STEPPER EXERCISER DEVICE**

(71) Applicants: **Wei-Teh Ho**, Taipei (TW); **Willy Wei Yu Ho**, Taipei (TW)

(72) Inventors: **Wei-Teh Ho**, Taipei (TW); **Willy Wei Yu Ho**, Taipei (TW)

(**) Term: **15 Years**

(21) Appl. No.: **29/537,263**

(22) Filed: **Aug. 24, 2015**

(51) **LOC (10) Cl.** **21-02**

(52) **U.S. Cl.**
USPC **D21/670**

(58) **Field of Classification Search**
USPC 482/142, 53, 79, 132, 147, 908, 49, 123,
482/129, 128, 127, 138, 112, 80, 146,
482/130, 118, 34, 126, 51; 601/32, 105,
601/148, 152, 27, 29, 46; D21/688, 668,
D21/670, 697, 694, 685, 673, 671;
188/83; D24/188, 212, 215; D6/349, 351
CPC . A63B 23/08; A63B 21/0552; A63B 21/4015;
A63B 21/0442; A63B 21/0557; A63B
2208/0204
See application file for complete search history.

(56) **References Cited**

U.S. PATENT DOCUMENTS

4,159,111	A *	6/1979	Lowth	A63B 22/0056
					188/83
5,290,204	A *	3/1994	Lee	A63B 22/0056
					482/112
5,348,520	A *	9/1994	Chang	A63B 21/0552
					482/123
6,224,515	B1 *	5/2001	Chen	A63B 22/0056
					482/53

(Continued)

Primary Examiner — Robert M Spear
Assistant Examiner — Ryan Harvey

(74) *Attorney, Agent, or Firm* — Blakely, Sokoloff, Taylor & Zafman LLP

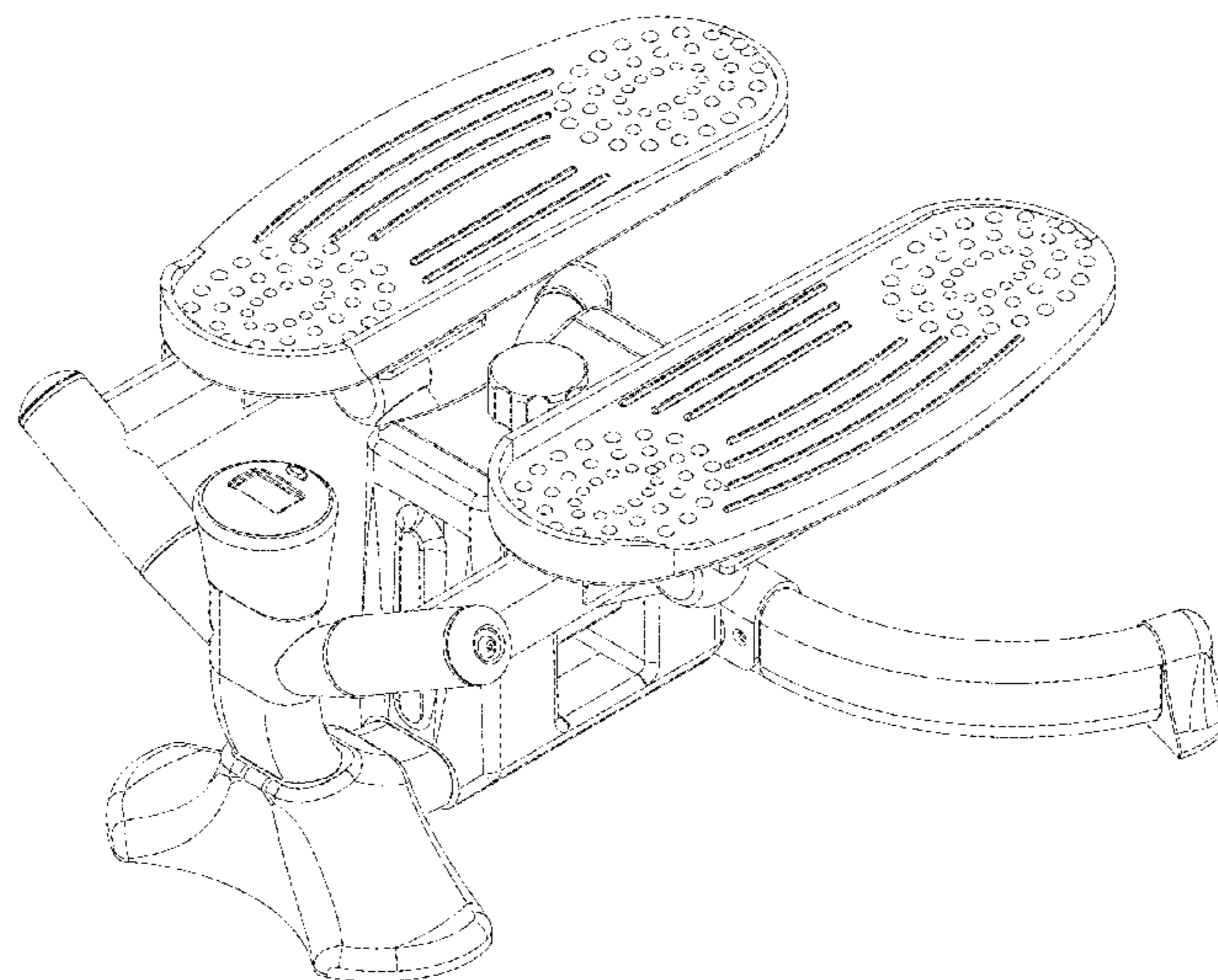
(57) **CLAIM**

The ornamental design for a stepper exerciser device, as shown and described.

DESCRIPTION

FIG. 1 is a perspective view showing one embodiment of the new design for a stepper exerciser device;
FIG. 2 is a front view according to one embodiment of the new design;
FIG. 3 is a rear view according to one embodiment of the new design;
FIG. 4 is a right side view according to one embodiment of the new design;
FIG. 5 is a left side view according to one embodiment of the new design;
FIG. 6 is a top view according to one embodiment of the new design;
FIG. 7 is a bottom view according to one embodiment of the new design;
FIG. 8 is perspective view showing an alternative embodiment of the new design for a stepper exerciser device;
FIG. 9 is a front view according to an alternative embodiment of the new design;
FIG. 10 is a rear view according to an alternative embodiment of the new design;
FIG. 11 a right side view according to an alternative embodiment of the new design;
FIG. 12 is a left side view according to an alternative embodiment of the new design;
FIG. 13 is a top view according to an alternative embodiment of the new design; and,
FIG. 14 is a bottom view according to an alternative embodiment of the new design.

1 Claim, 14 Drawing Sheets



(56)

References Cited

U.S. PATENT DOCUMENTS

6,315,697 B1 *	11/2001	Chen	A63B 22/0056	482/146	7,878,948 B2 *	2/2011	Chen	A63B 22/0012	482/52
6,435,073 B1 *	8/2002	Chen	A63B 21/0083	482/53	7,878,949 B2 *	2/2011	Chen	A63B 21/0552	482/52
D465,001 S *	10/2002	Chiang-Chow	D21/668		7,896,780 B2 *	3/2011	Chen	A63B 23/0429	482/52
D466,567 S *	12/2002	Chen	D21/668		8,152,698 B1 *	4/2012	Chen	A63B 22/00	482/53
6,709,367 B1 *	3/2004	Liang	A63B 22/0058	482/146	2003/0017916 A1 *	1/2003	Juan	A63B 22/0056	482/51
D496,700 S *	9/2004	Chen	D21/668		2003/0216224 A1 *	11/2003	Chuang	A63B 22/0056	482/53
D498,506 S *	11/2004	Yu	D21/668		2005/0049116 A1 *	3/2005	Huang	A63B 22/0064	482/51
6,830,539 B2 *	12/2004	Chuang	A63B 23/0429	482/112	2005/0070403 A1 *	3/2005	Yu	A63B 21/0083	482/53
6,918,857 B2 *	7/2005	Chen	A63B 22/0056	482/53	2005/0227818 A1 *	10/2005	Liao	A63B 21/015	482/53
D514,635 S *	2/2006	Hsiao	D21/670		2007/0202996 A1 *	8/2007	Lu	A63B 22/0056	482/52
D519,583 S *	4/2006	Chen	D21/668		2007/0254782 A1 *	11/2007	Chen	A63B 22/0056	482/53
7,384,378 B2 *	6/2008	Chen	A63B 22/0069	482/53	2008/0020904 A1 *	1/2008	Ho	A63B 22/0069	482/52
7,462,137 B2 *	12/2008	Yang	A63B 22/001	482/53	2008/0026916 A1 *	1/2008	Chuang	A63B 22/0064	482/53
7,465,255 B2 *	12/2008	Chen	A63B 21/0087	482/53	2010/0144495 A1 *	6/2010	Chen	A63B 22/0069	482/52
7,530,927 B2 *	5/2009	Chuang	A63B 21/0552	482/53	2013/0316879 A1 *	11/2013	Prats	A63B 71/0619	482/53
7,637,849 B2 *	12/2009	Chen	A63B 22/0012	482/52						

* cited by examiner

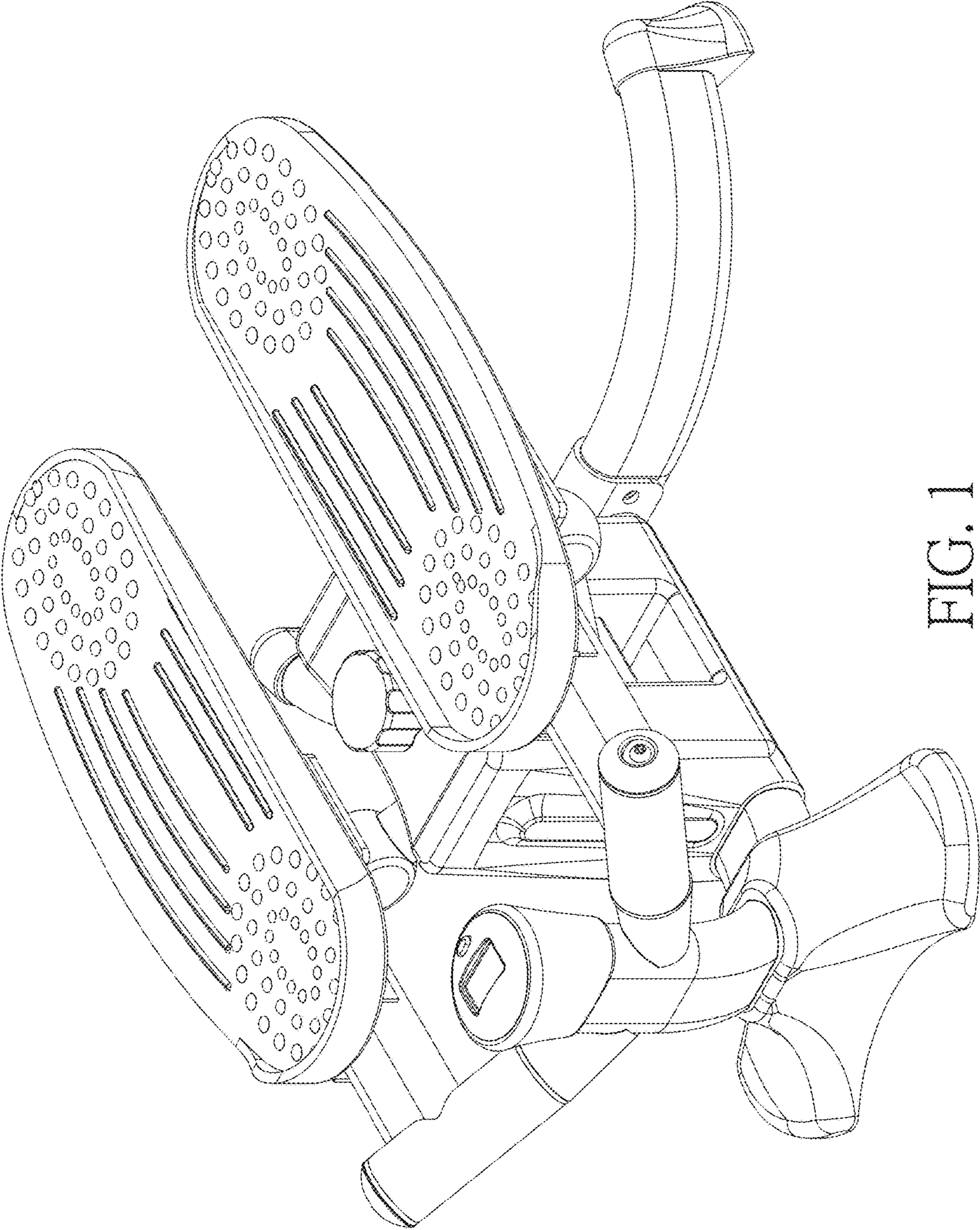


FIG. 1

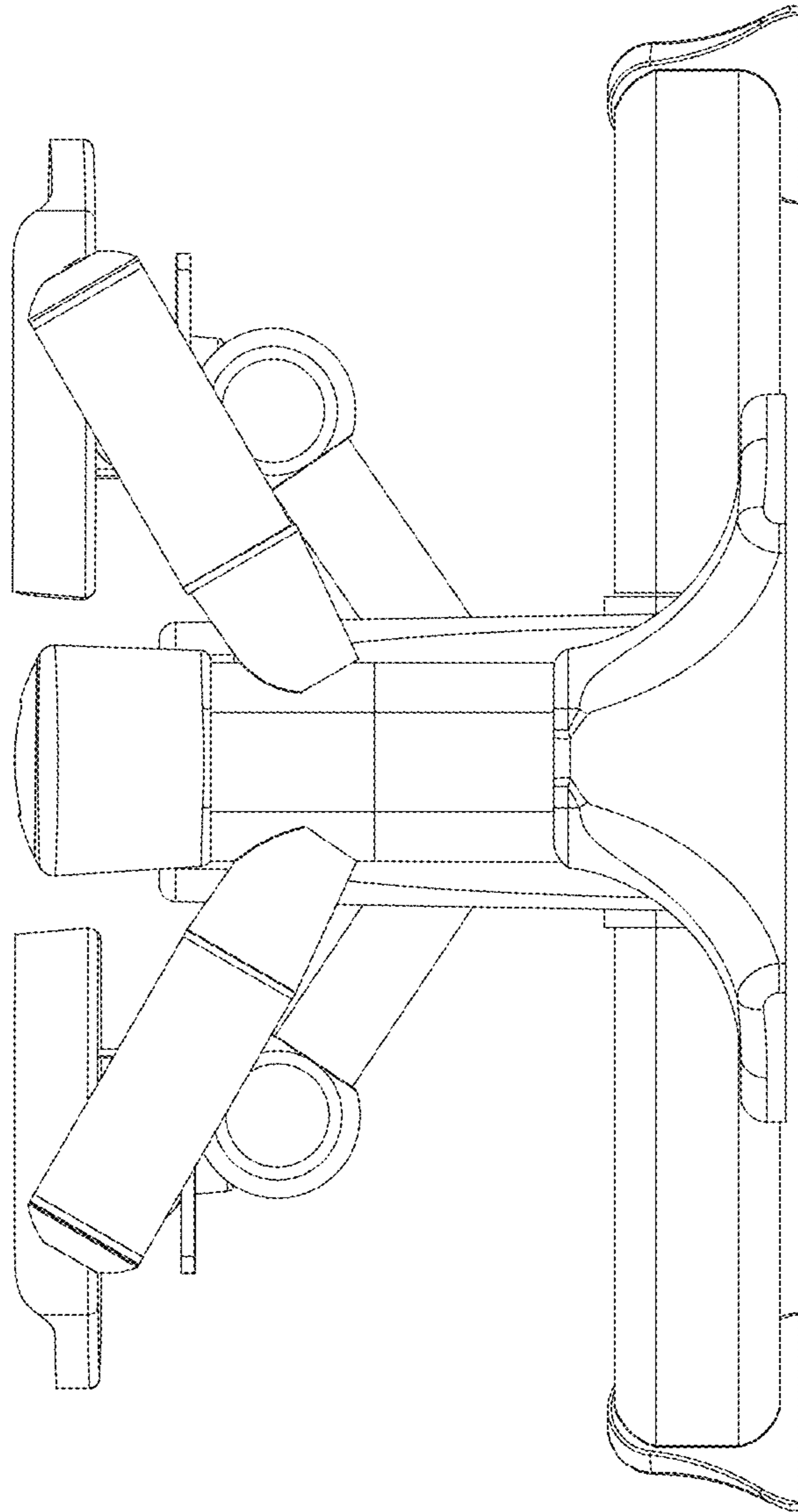


FIG. 2

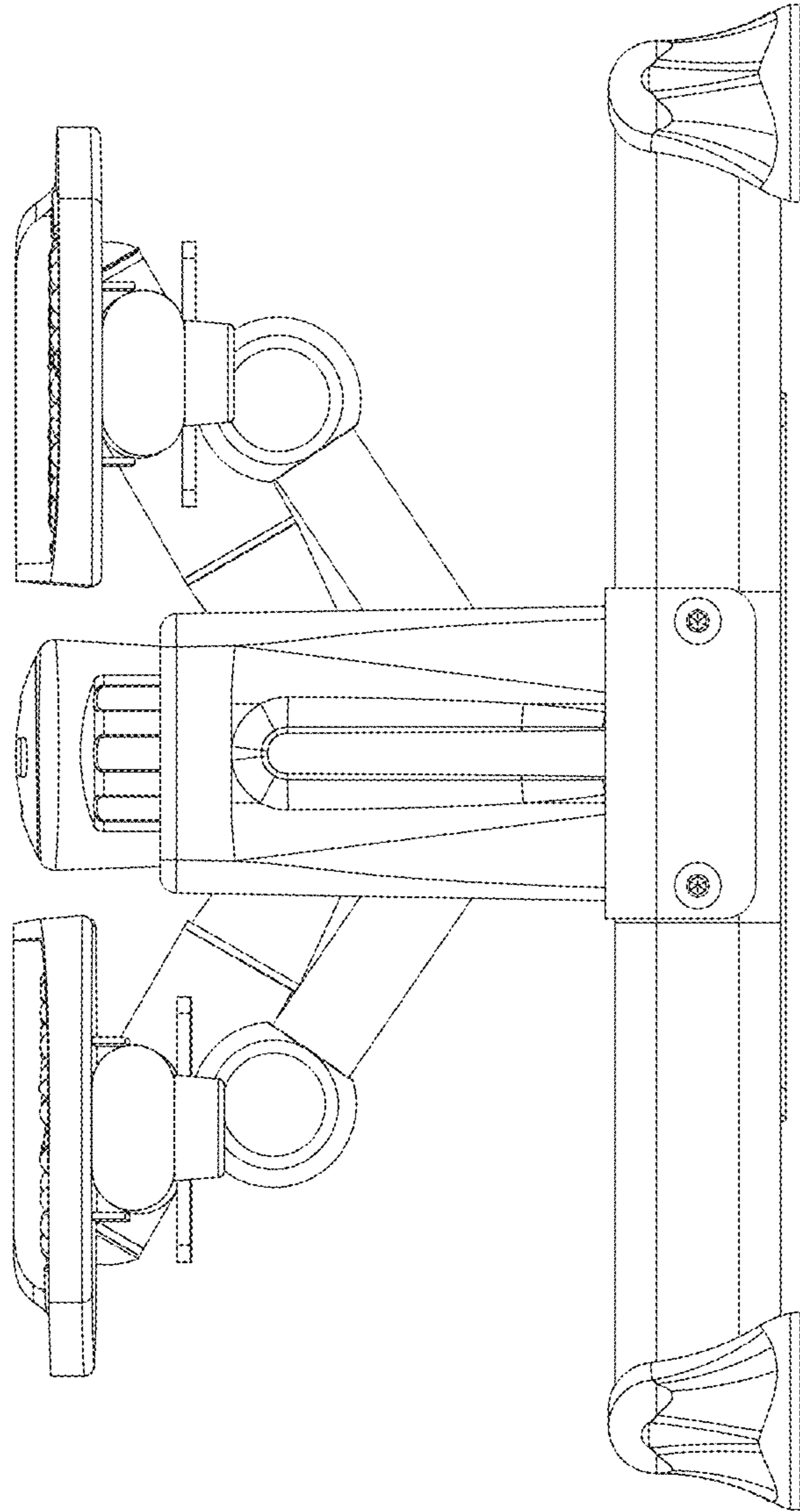


FIG. 3

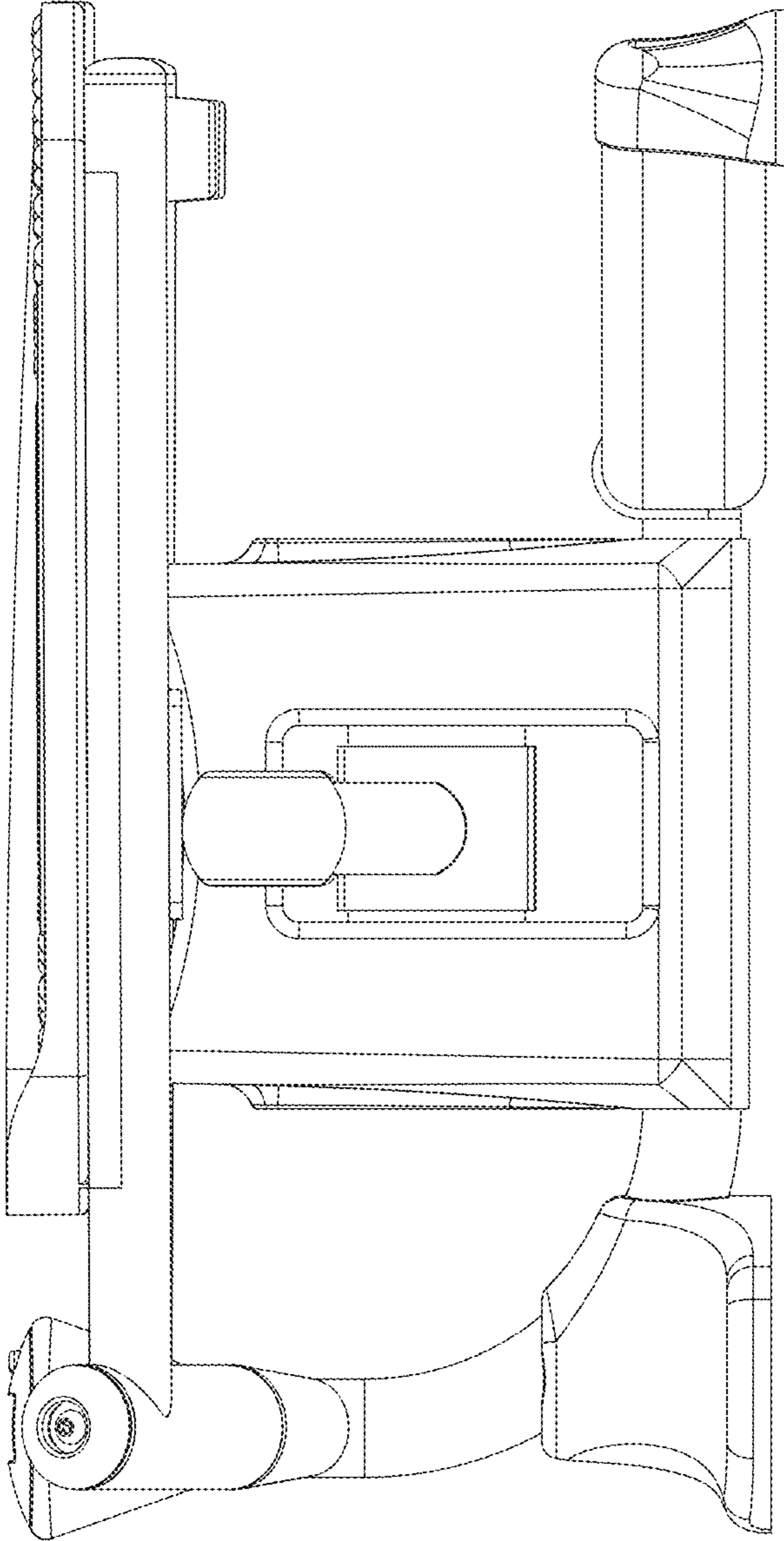


FIG. 4

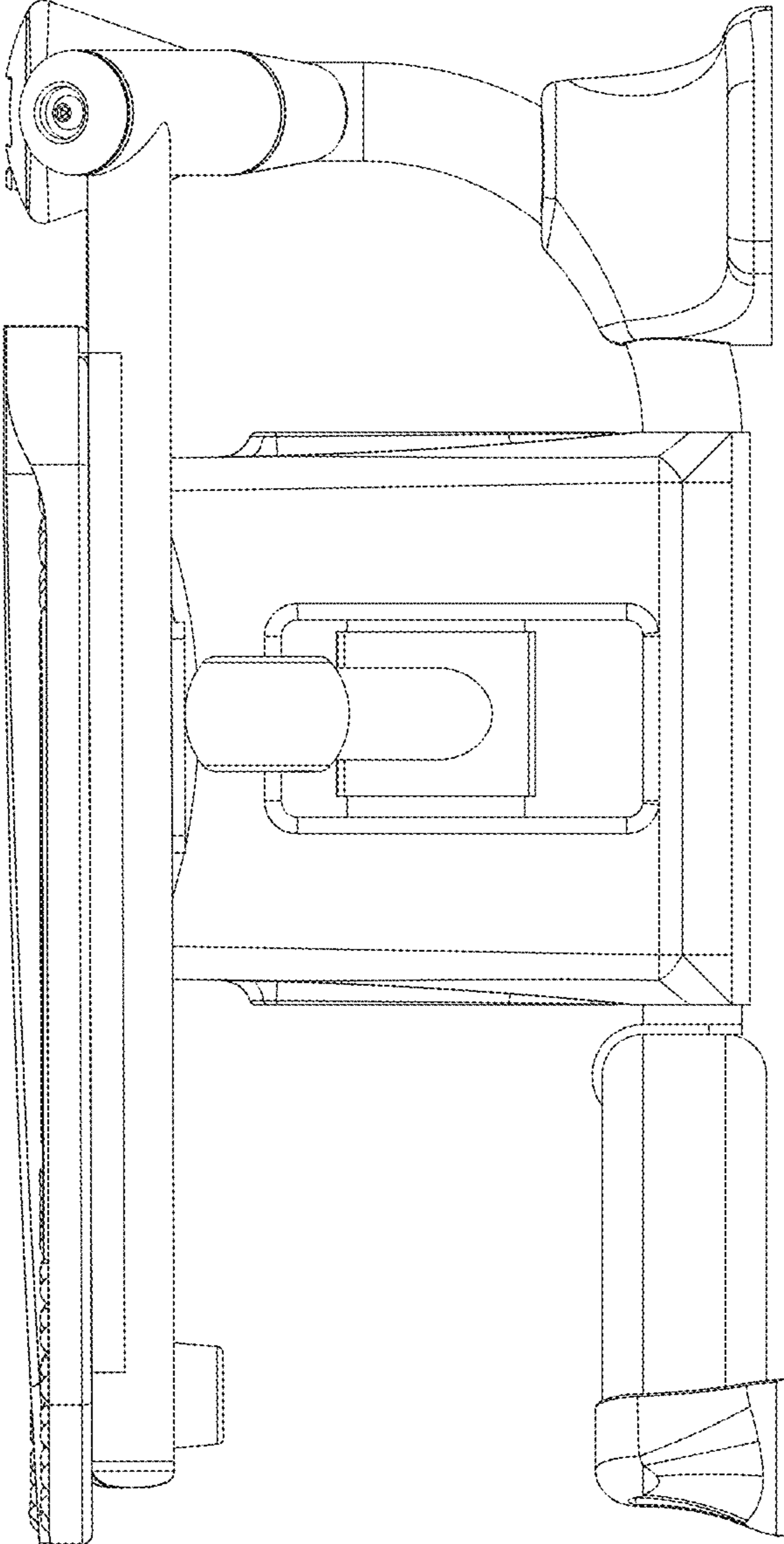


FIG. 5

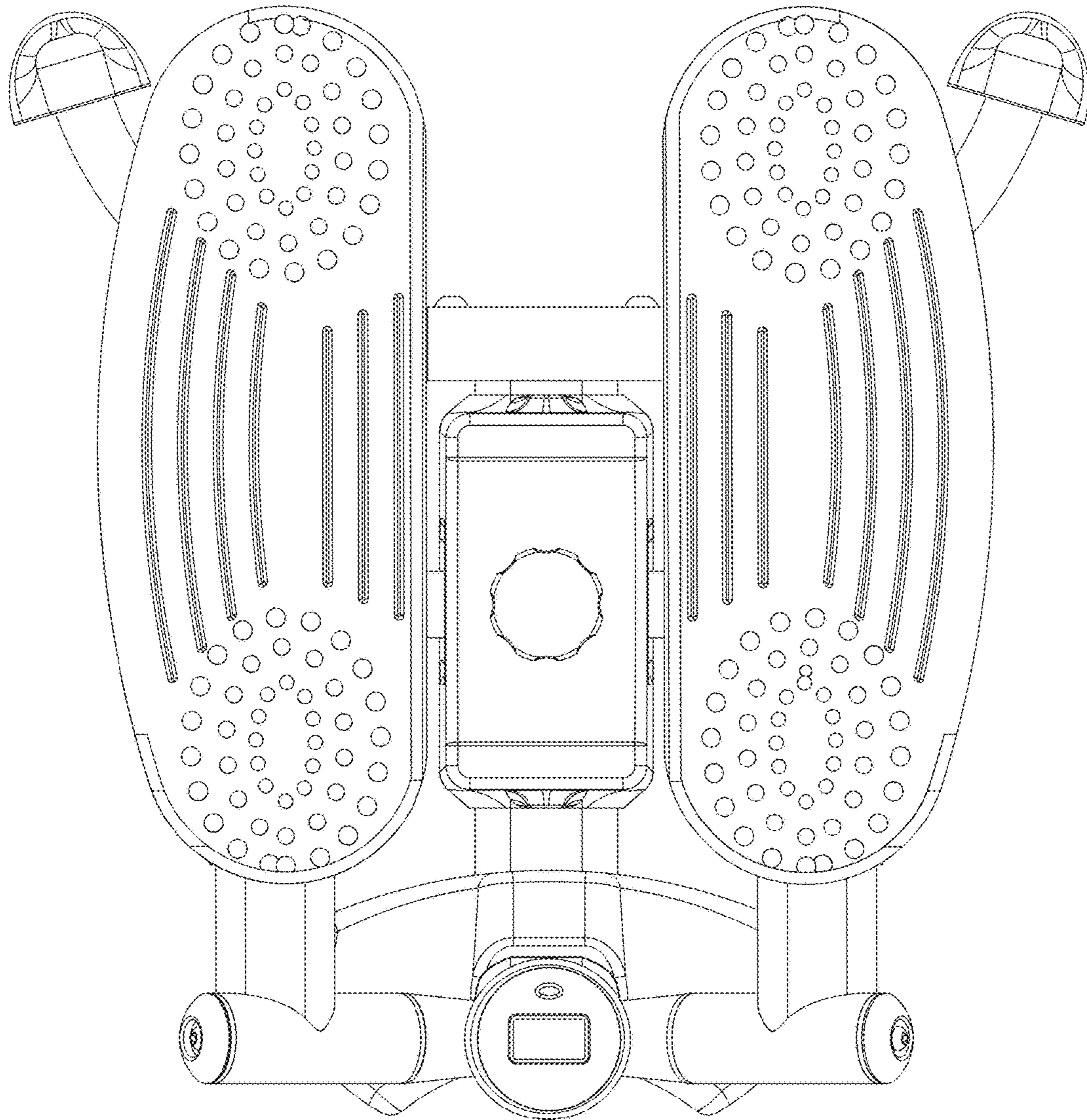


FIG. 6

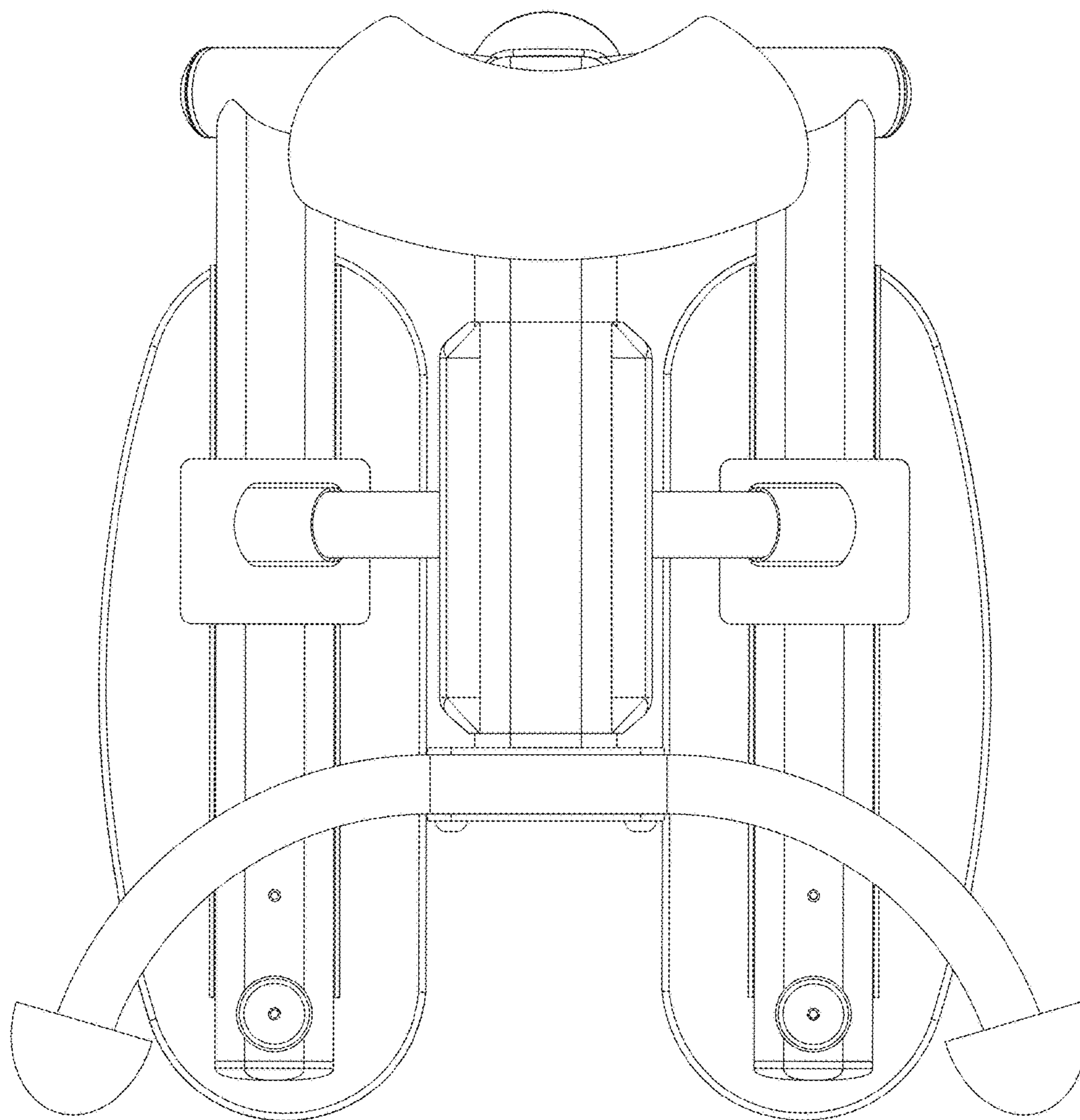


FIG. 7

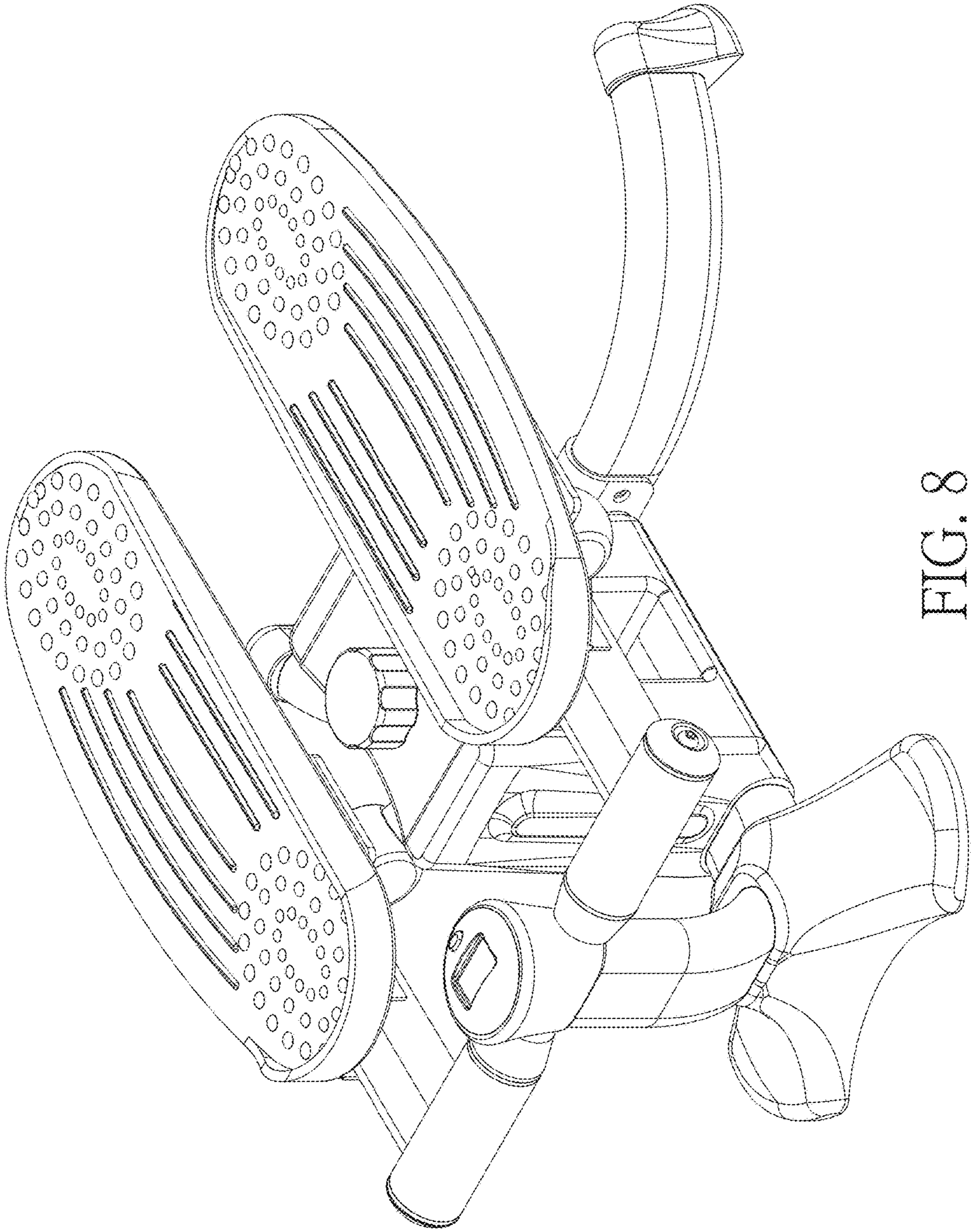


FIG. 8

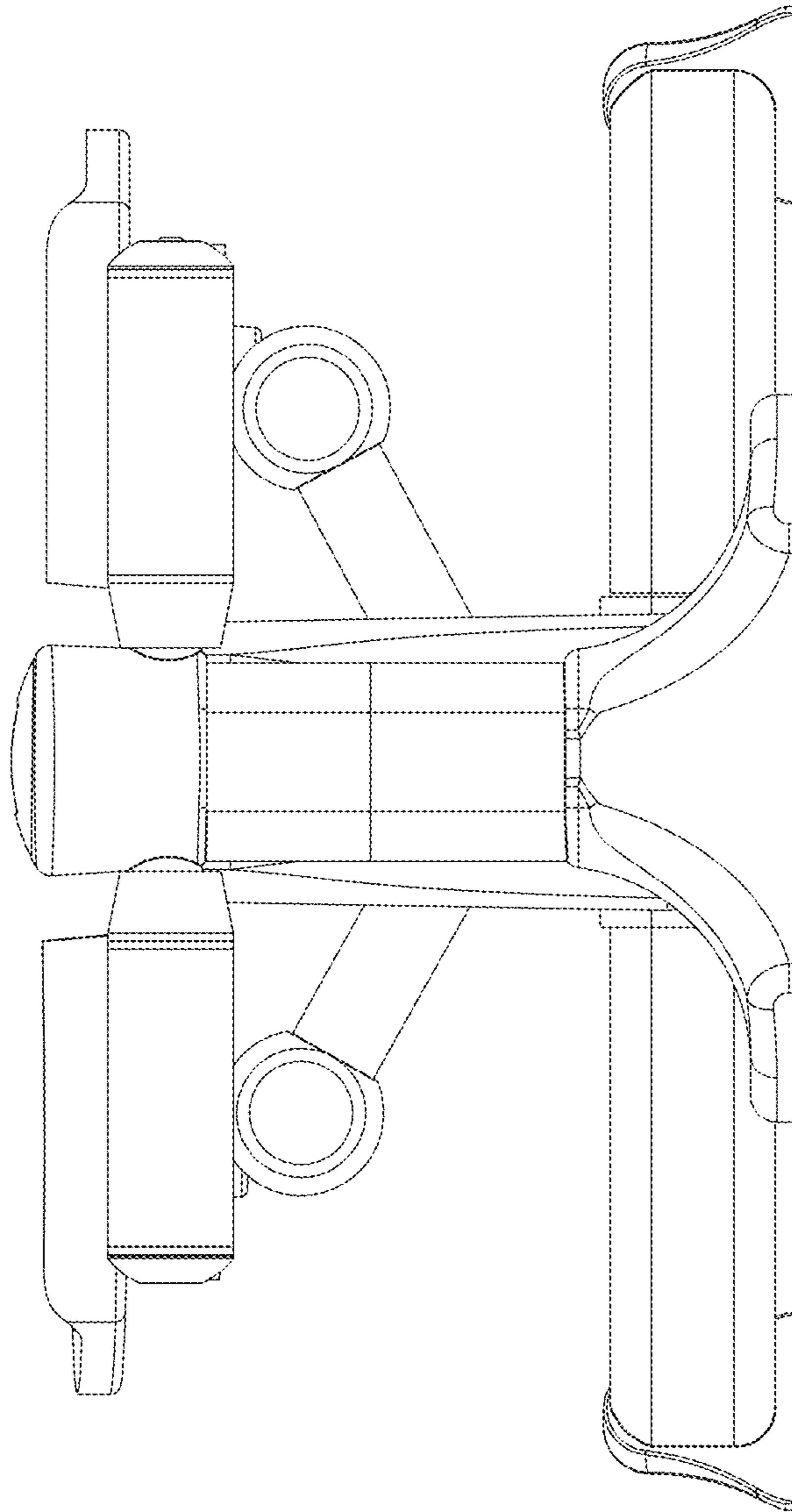


FIG. 9

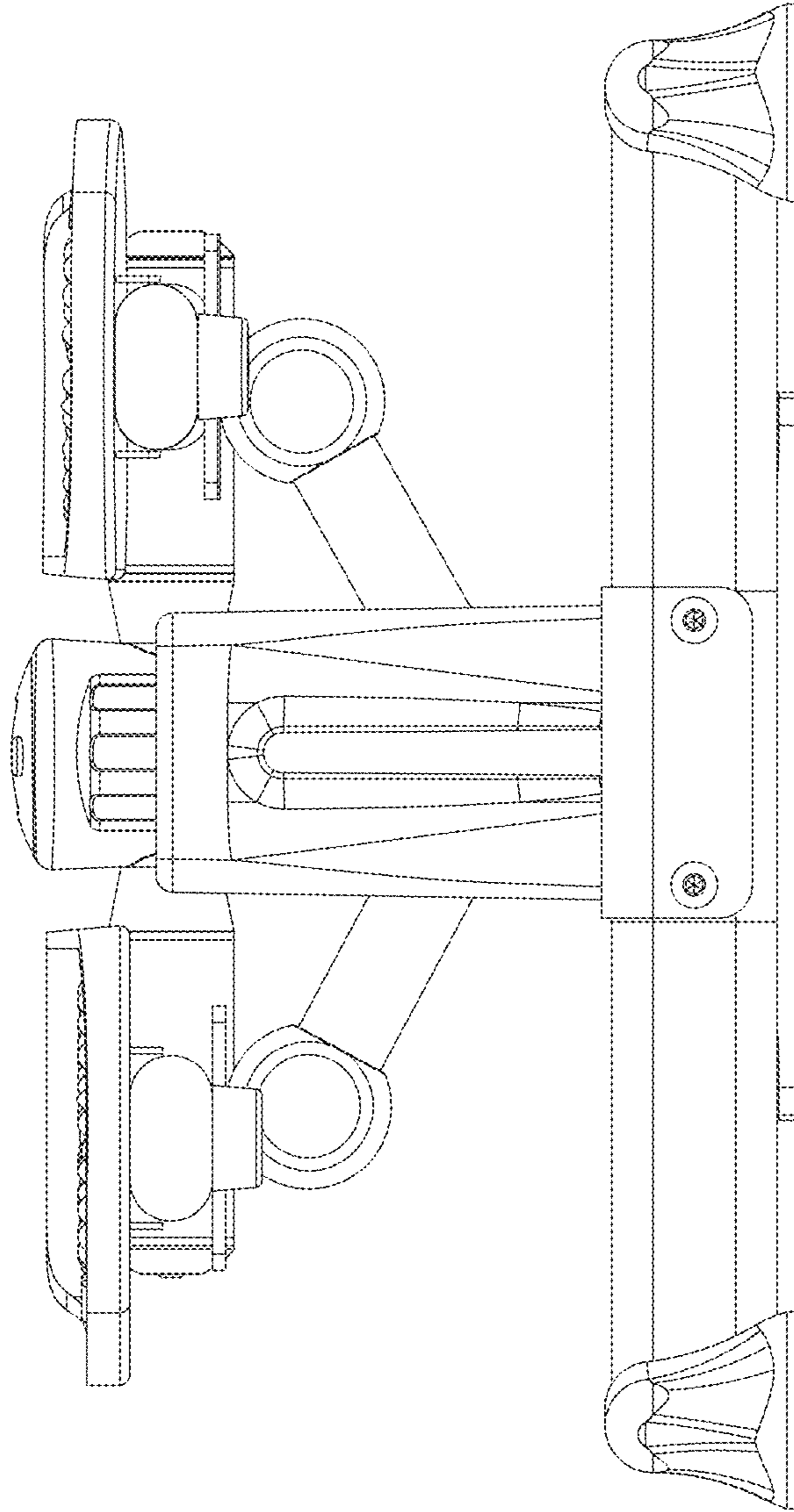


FIG. 10

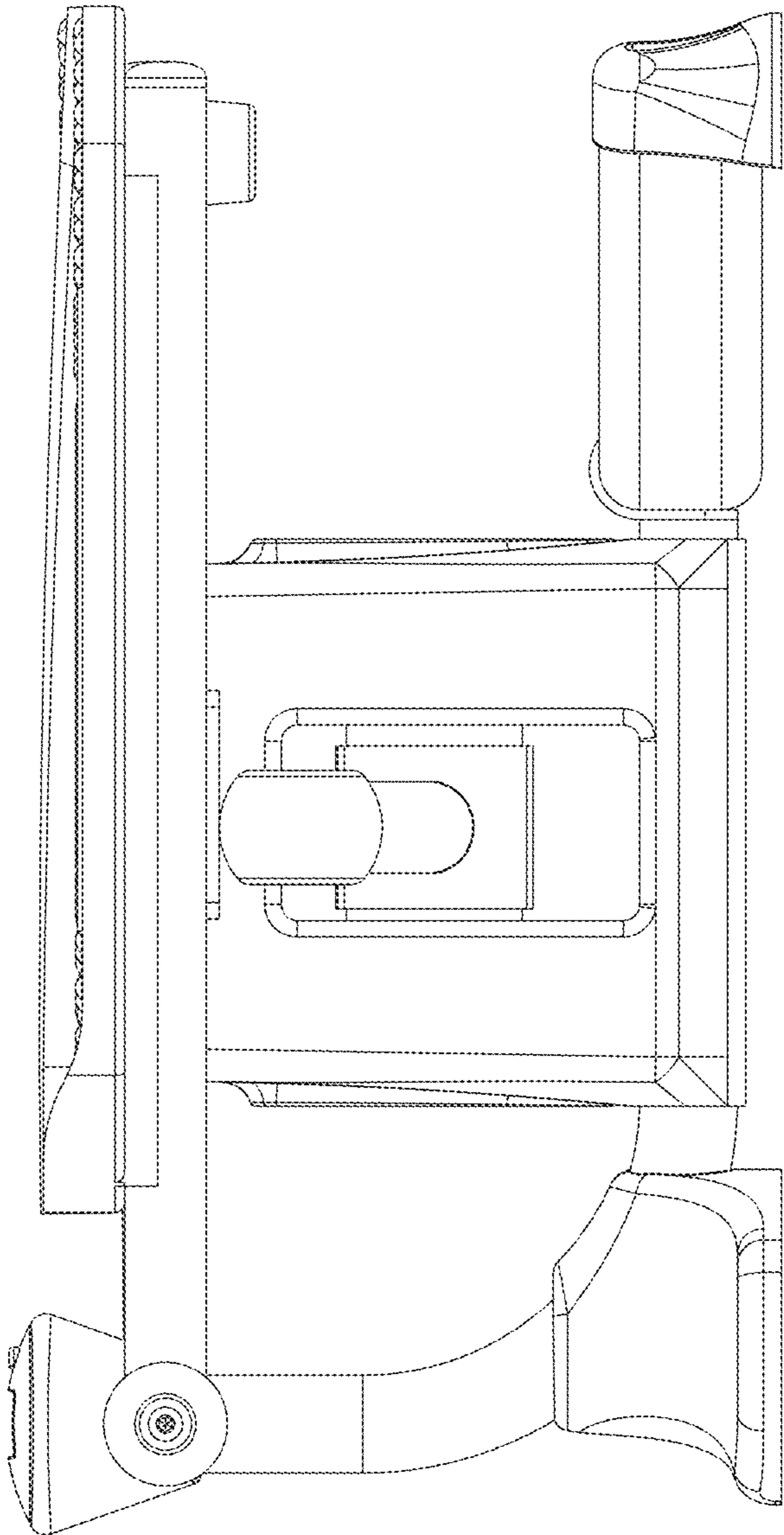


FIG. 11

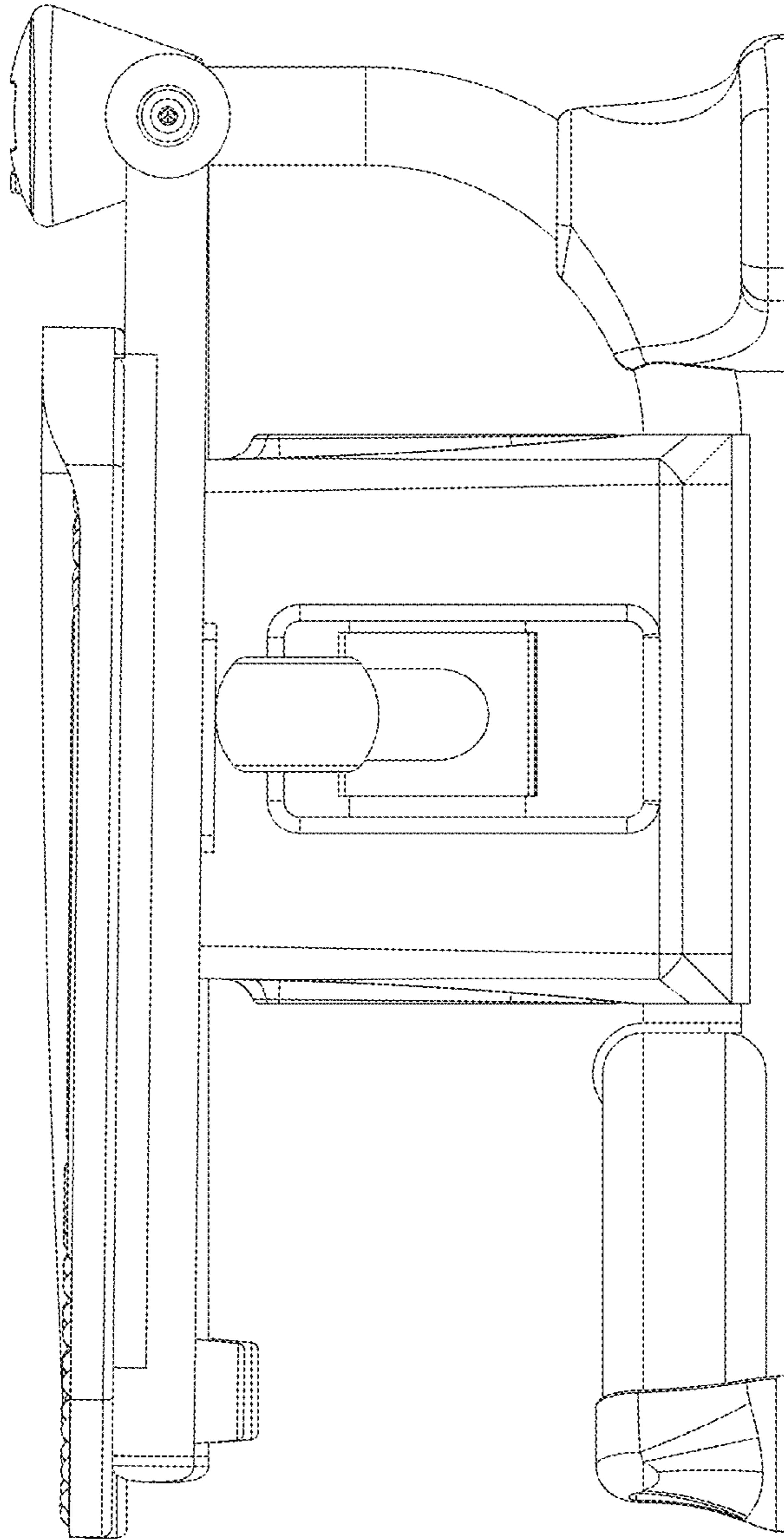


FIG. 12

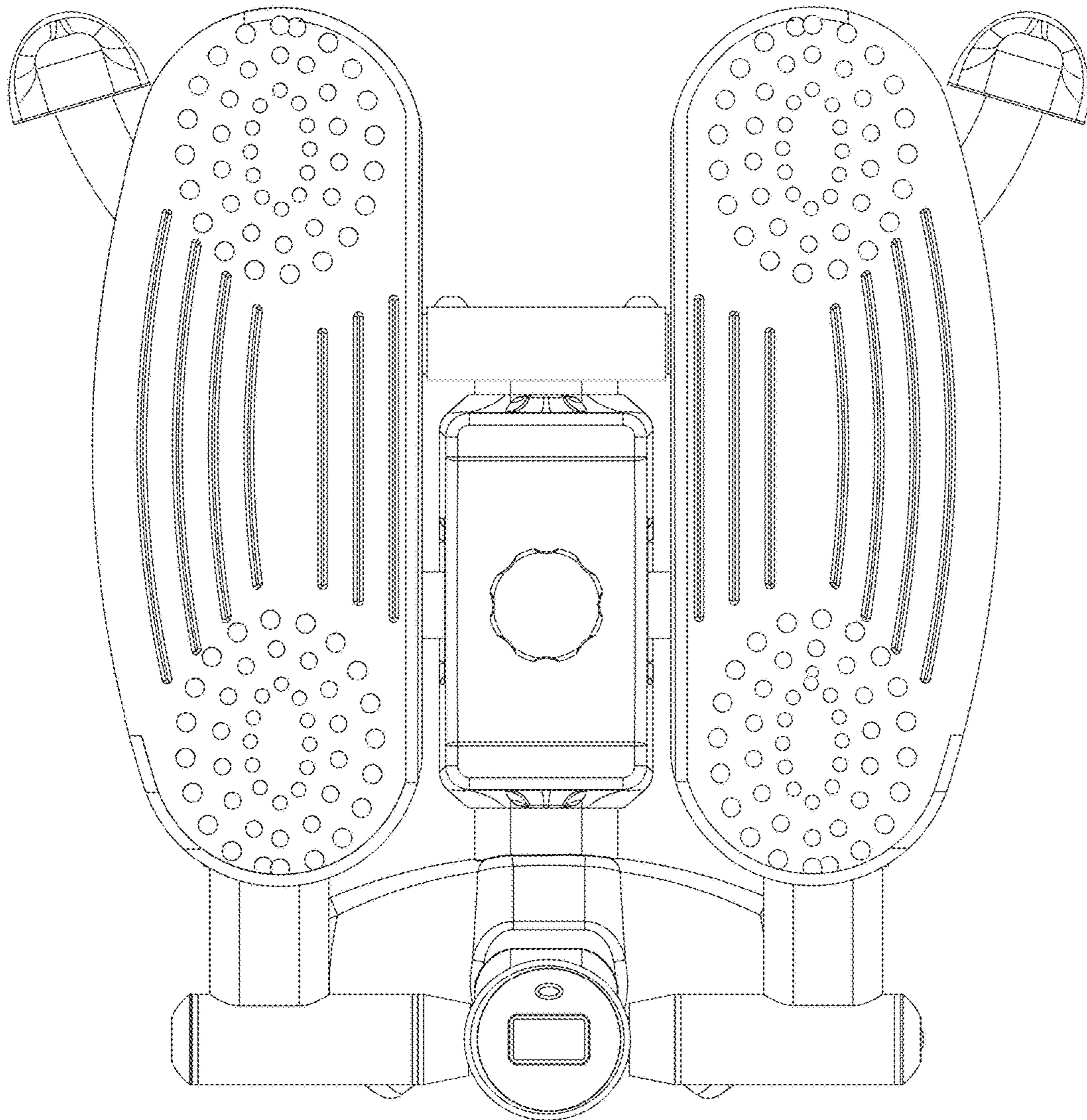


FIG. 13

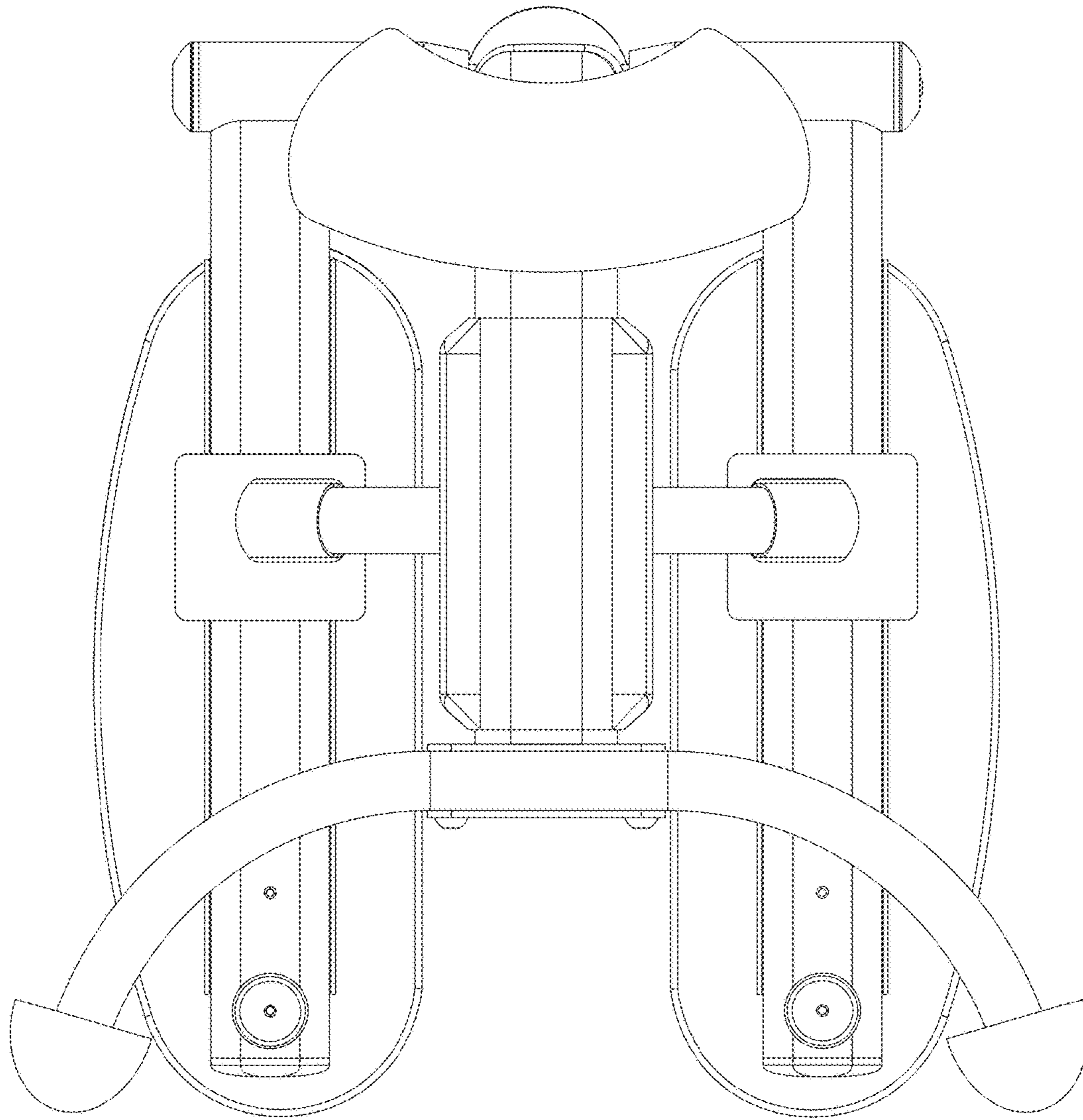


FIG. 14