



US00D781382S

(12) **United States Design Patent**
Etcheparre et al.

(10) **Patent No.:** **US D781,382 S**
(45) **Date of Patent:** **** Mar. 14, 2017**

(54) **HYDROFOIL FOR REMOTE-CONTROLLED TOY**

(71) Applicant: **PARROT**, Paris (FR)

(72) Inventors: **Jean Etcheparre**, Paris (FR); **Flavien Morra**, Paris (FR)

(73) Assignee: **Parrot Drones**, Paris (FR)

(**) Term: **15 Years**

(21) Appl. No.: **29/531,379**

(22) Filed: **Jun. 25, 2015**

(30) **Foreign Application Priority Data**

Feb. 3, 2015 (EM) 002625574-0001
Feb. 3, 2015 (EM) 002625574-0002

(51) **LOC (10) Cl.** **21-01**

(52) **U.S. Cl.**
USPC **D21/542**

(58) **Field of Classification Search**
USPC D21/542-547; D12/300-318
CPC .. B63B 1/16; B63B 1/24; B63B 1/242; B63B 1/244; B63B 1/246; B63B 1/248; B63B 1/26; B63B 1/28; B63B 1/322; B63B 1/10; B63B 1/12; B63B 1/14
See application file for complete search history.

(56) **References Cited**

U.S. PATENT DOCUMENTS

3,250,238 A * 5/1966 Reder B63B 1/048
114/280
3,364,892 A * 1/1968 Persson B63B 1/286
114/277
3,765,356 A * 10/1973 Cook B63B 1/24
114/280
3,964,417 A * 6/1976 Williams B63B 1/20
114/274

D249,033 S * 8/1978 Potter D12/312
4,926,773 A * 5/1990 Manor B63B 1/12
114/274
4,964,357 A * 10/1990 Genfan B63B 1/24
114/123
4,981,099 A * 1/1991 Holder B63B 1/24
114/123
5,168,824 A * 12/1992 Ketterman B63H 9/04
114/275
D345,542 S * 3/1994 Duncan D12/300
5,373,800 A * 12/1994 Steinberg B63B 1/22
114/282
6,070,543 A * 6/2000 A'Lateef B63B 1/246
114/274
6,095,076 A * 8/2000 Nesbitt B63B 1/24
114/274

(Continued)

Primary Examiner — Cynthia M Chin

(74) *Attorney, Agent, or Firm* — Marshall, Gerstein & Borun LLP

(57) **CLAIM**

The ornamental design for a hydrofoil for a remote controlled toy, as shown and described.

DESCRIPTION

FIG. 1 is a front, right-side, and top view of a hydrofoil for a remote controlled toy showing the new design with its arm in a folded position.

FIG. 2 is a front elevation view of the hydrofoil for a remote controlled toy.

FIG. 3 is a rear elevation view.

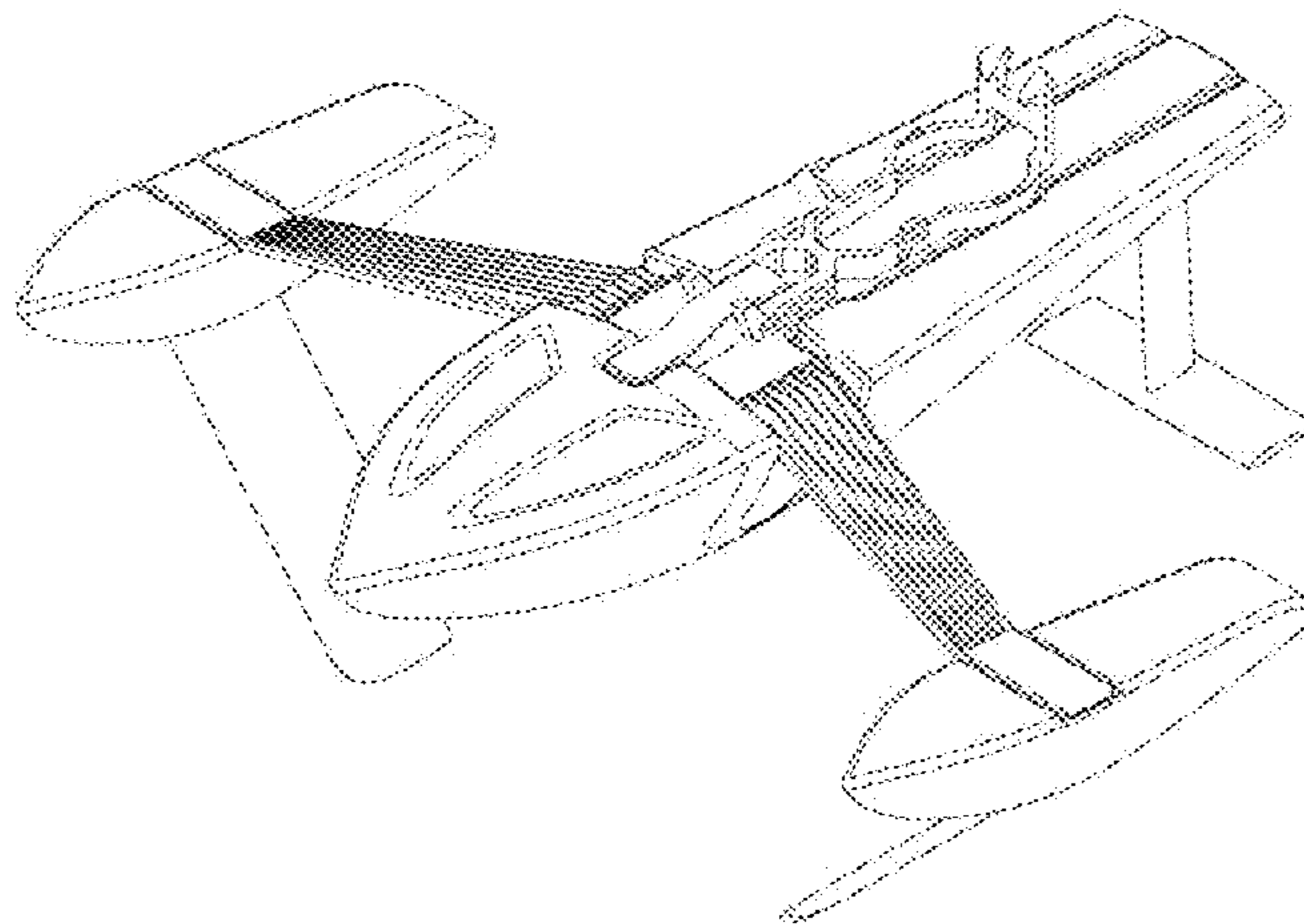
FIG. 4 is a right-side elevation view. The left-side is a mirror image of this view.

FIG. 5 is a top plan view.

FIG. 6 is a bottom plan view; and,

FIG. 7 is a front elevation view, with the arm in an extended position.

1 Claim, 6 Drawing Sheets



(56)

References Cited

U.S. PATENT DOCUMENTS

6,691,632 B2 * 2/2004 Stevens B62B 15/002
114/272
6,948,441 B2 * 9/2005 Levine B63B 1/242
114/274
7,743,720 B1 * 6/2010 Salani B63B 1/14
114/122
8,408,155 B2 * 4/2013 Sancoff B63B 1/107
114/152
8,857,365 B2 * 10/2014 Sancoff B63B 1/107
114/20.1

* cited by examiner

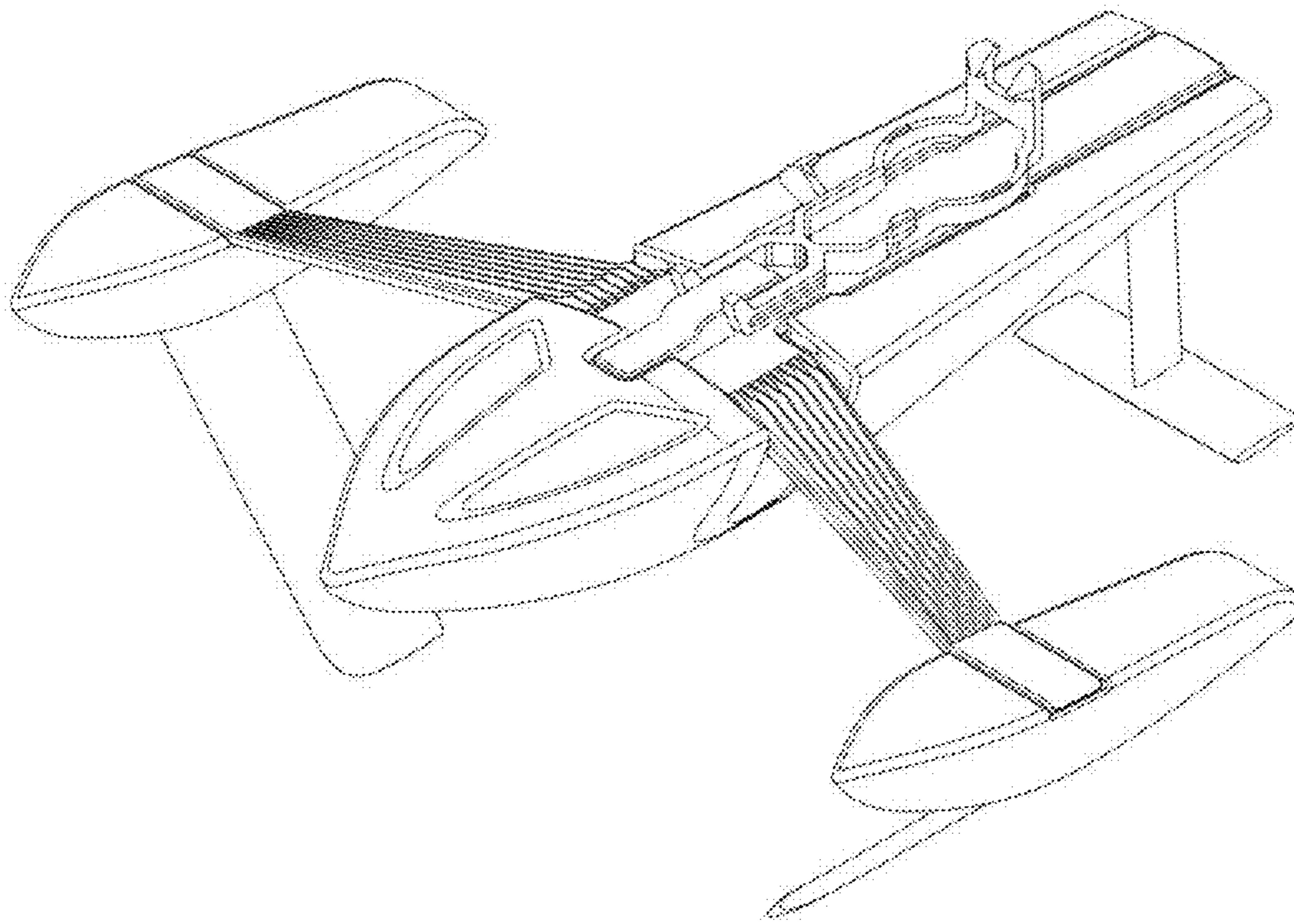


Fig. 1

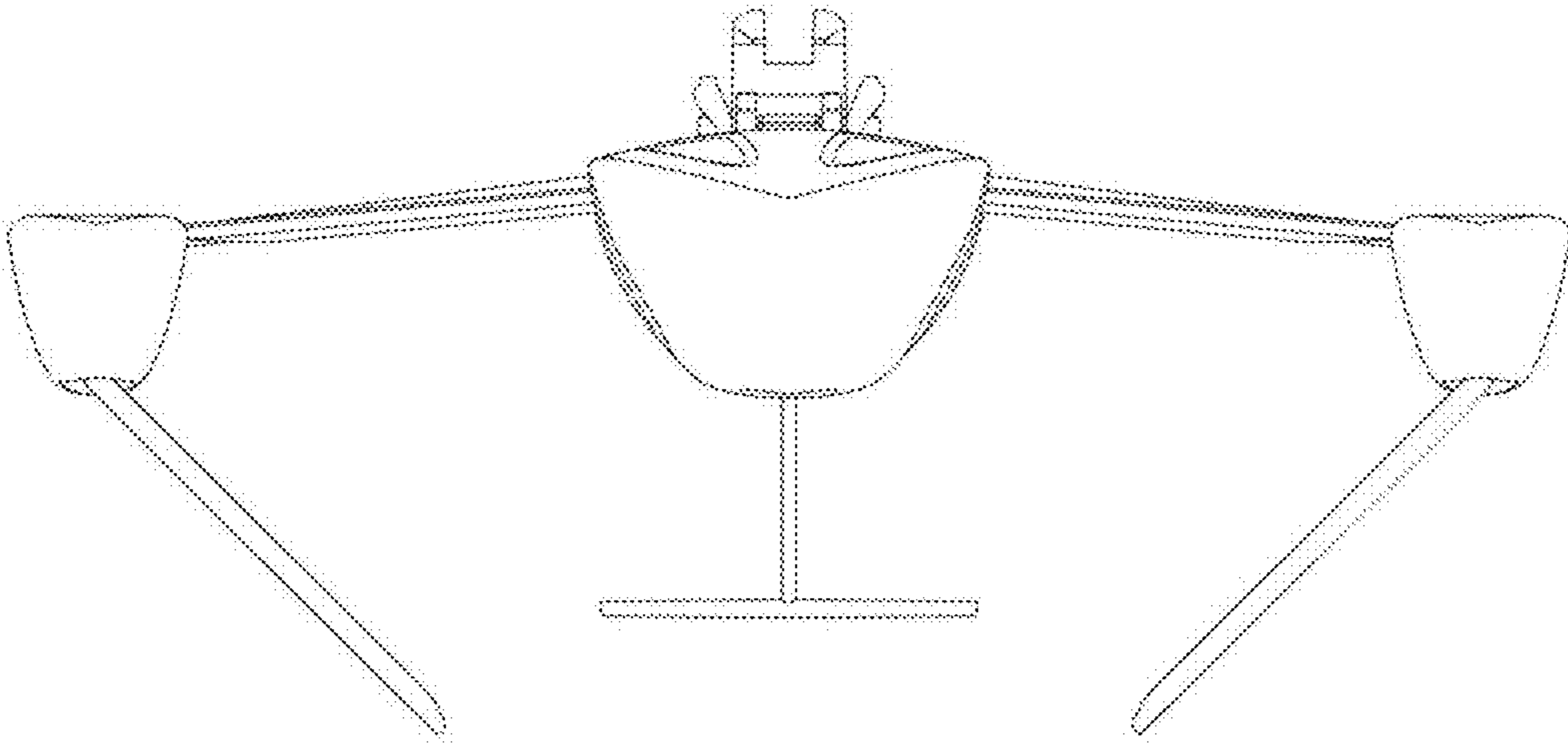


Fig. 2

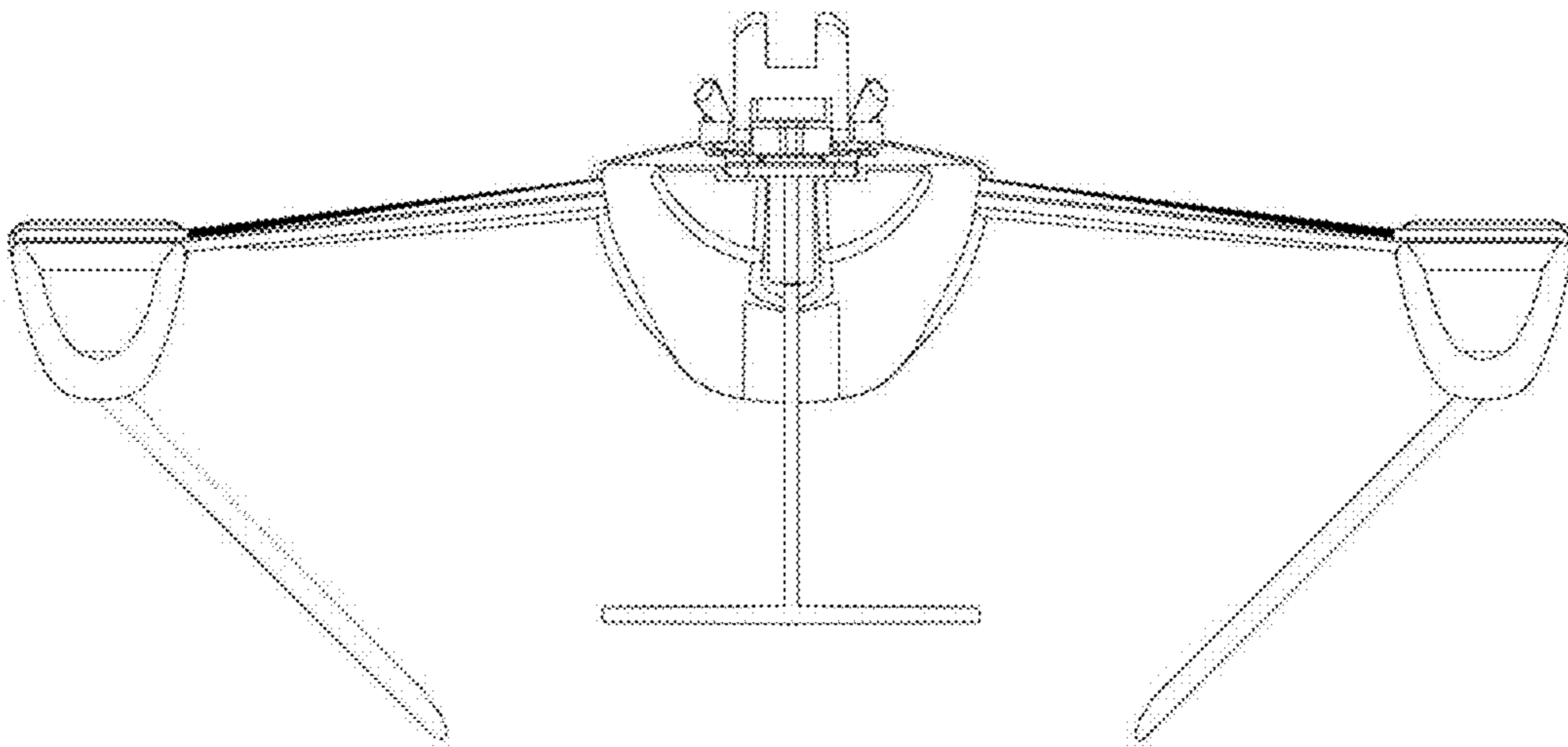


Fig. 3

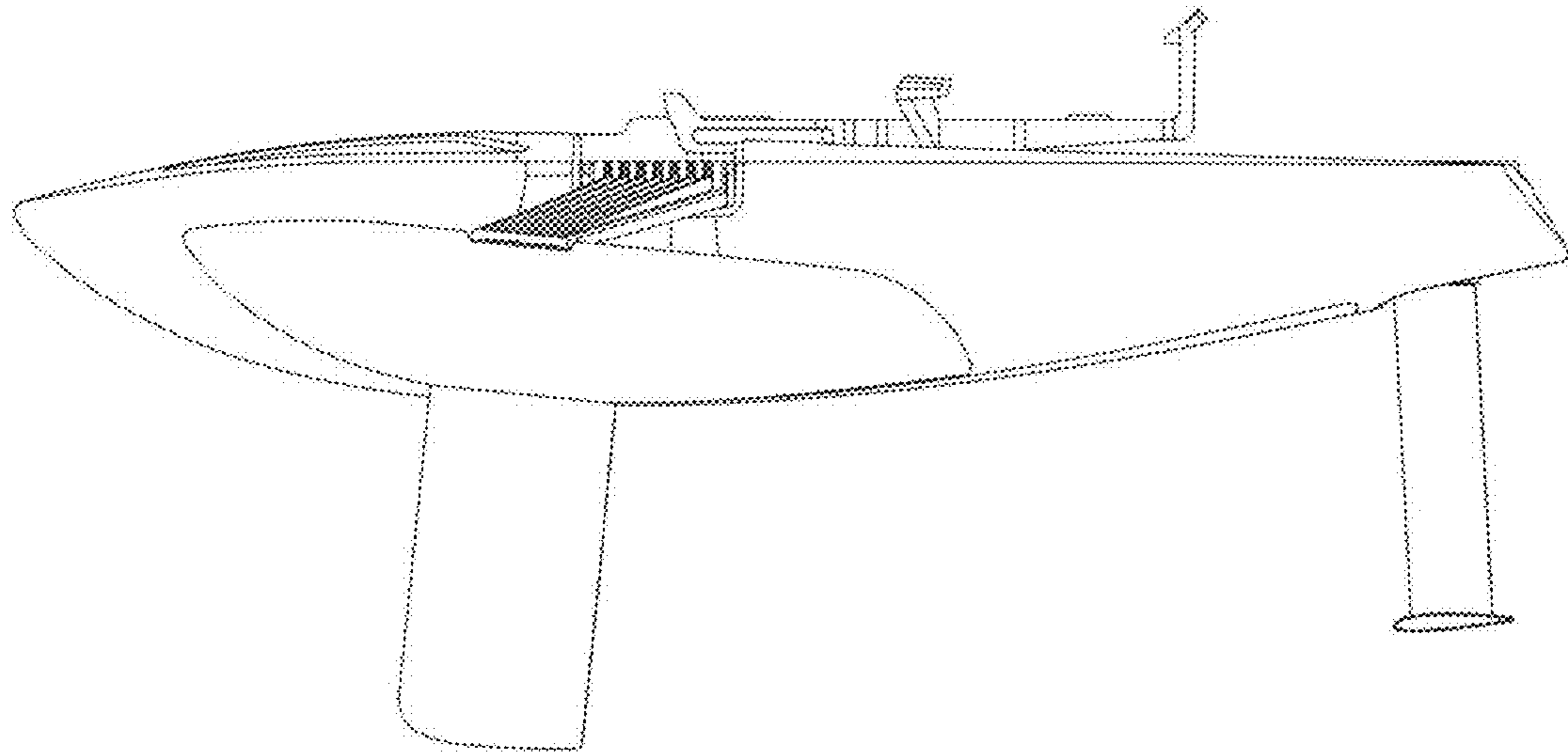


Fig. 4

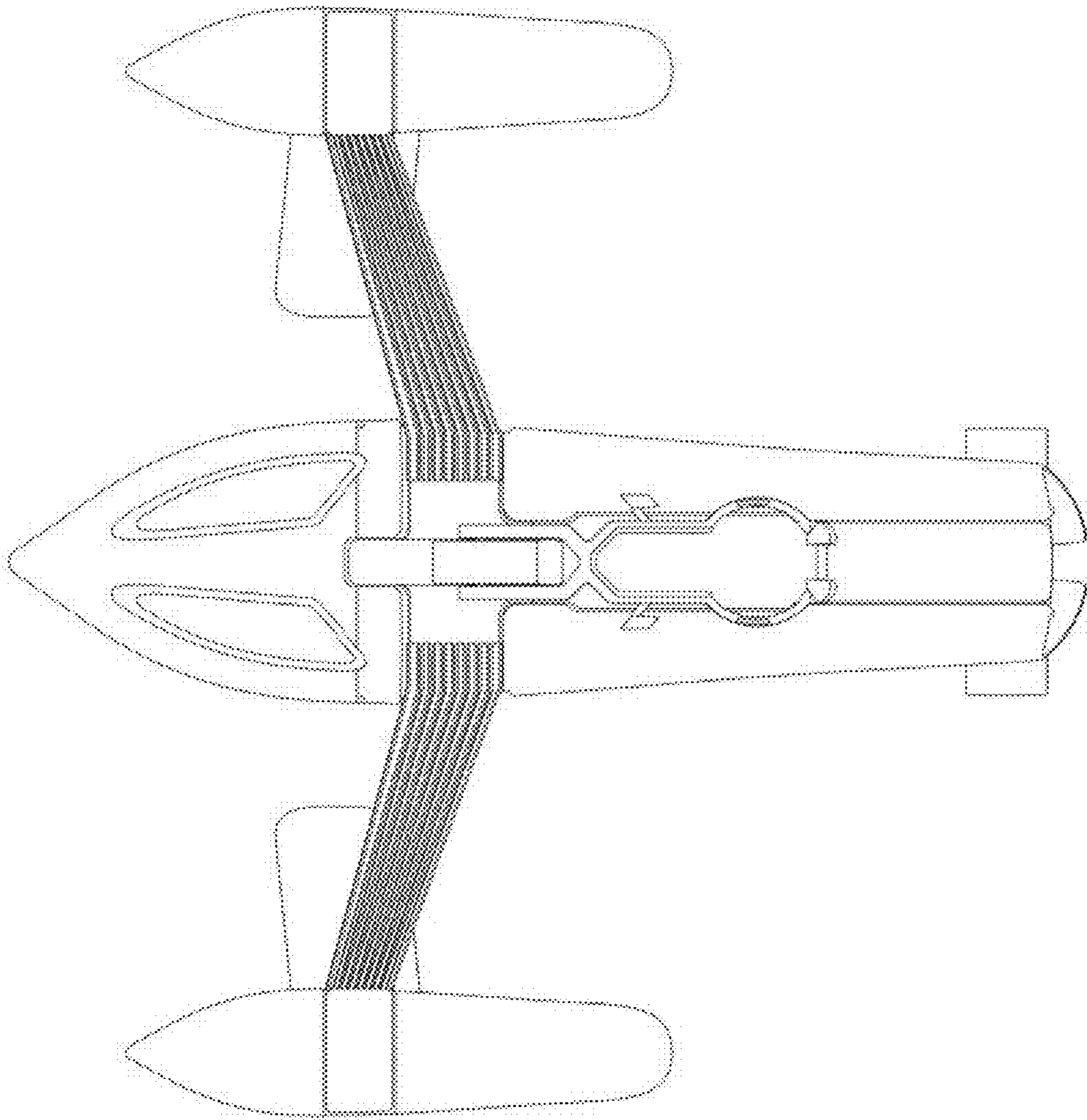


Fig. 5

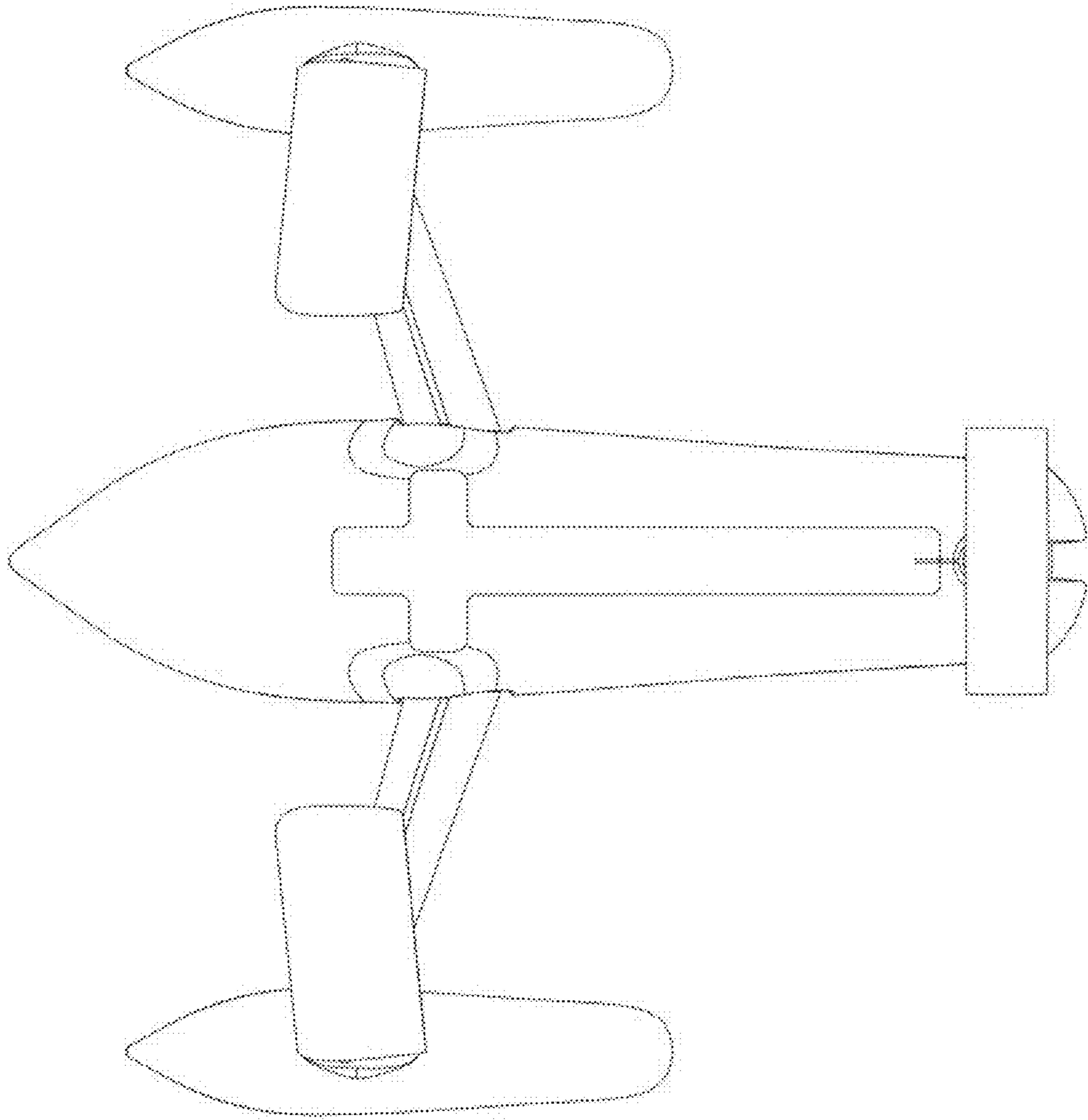


Fig. 6

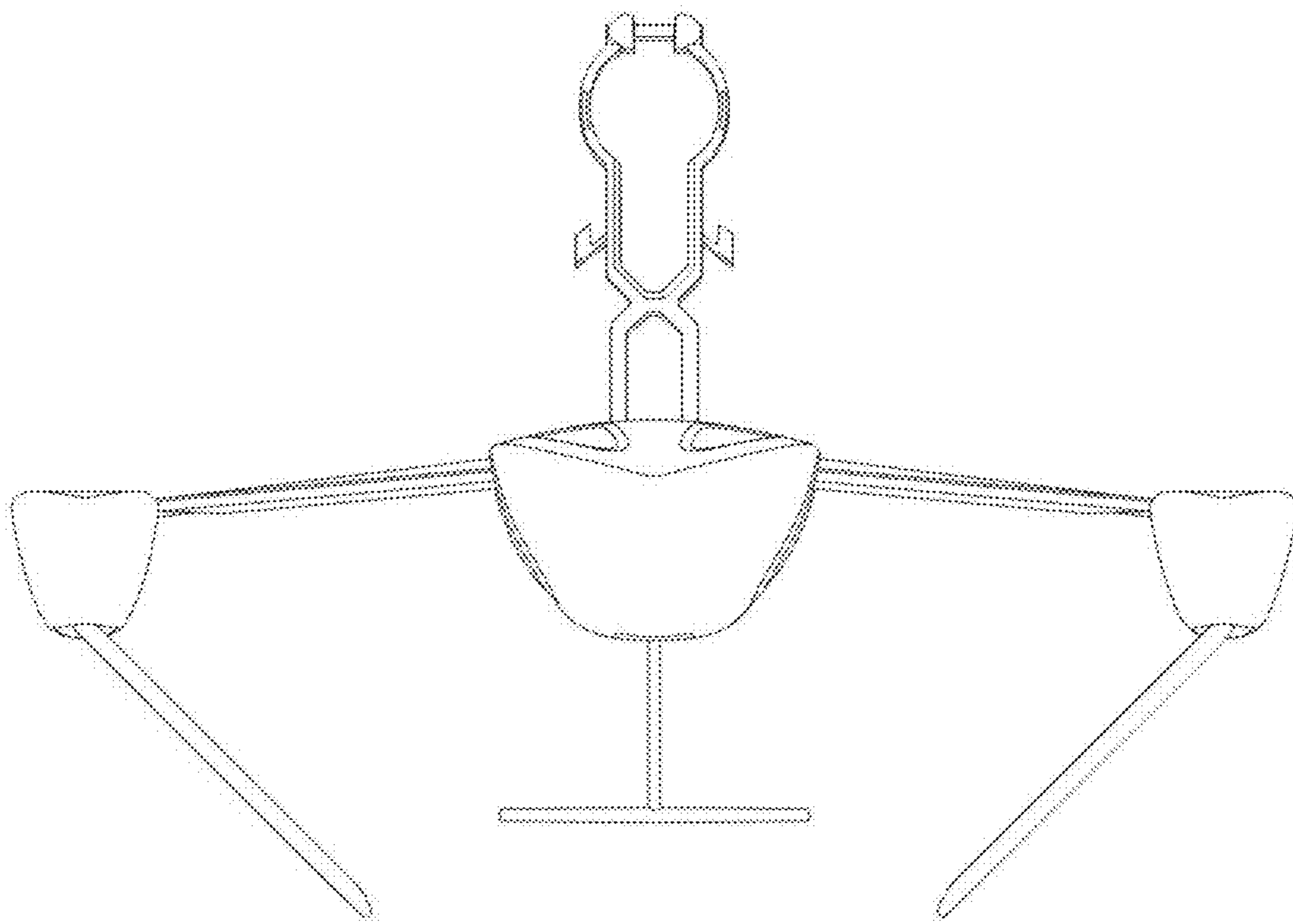


Fig. 7