



US00D781379S

(12) **United States Design Patent**
Miceli et al.

(10) **Patent No.:** **US D781,379 S**

(45) **Date of Patent:** **** Mar. 14, 2017**

(54) **PRESCRIPTION LABEL SHEET**

(71) Applicant: **Tri State Distribution, Inc.**, Sparta, TN (US)

(72) Inventors: **David A. Miceli**, Reno, NV (US);
Joseph A. Miceli, Spencer, TN (US)

(73) Assignee: **Tri State Distribution, Inc.**, Sparta, TN (US)

(**) Term: **15 Years**

(21) Appl. No.: **29/541,939**

(22) Filed: **Oct. 9, 2015**

2003/0264; G09F 2003/0266; G09F
2003/0267; G09F 2003/0269; G09F
2003/0272; G09F 2003/0273; G09F
2003/0279; B42D 15/00

See application file for complete search history.

(56) **References Cited**

U.S. PATENT DOCUMENTS

487,540	A *	12/1892	Ralph	B65D 85/48
					206/451
5,096,226	A *	3/1992	Steffen	G09F 3/0288
					281/5
D350,988	S *	9/1994	Kravitz	D20/22
6,036,231	A	3/2000	Foote et al.		
D428,930	S *	8/2000	Dunlap	D20/22
D431,841	S *	10/2000	Dunlap	D20/22

(Continued)

Related U.S. Application Data

(63) Continuation-in-part of application No. 13/875,785, filed on May 2, 2013, which is a continuation-in-part of application No. 13/804,930, filed on Mar. 14, 2013, and a continuation-in-part of application No. 13/347,288, filed on Jan. 10, 2012, now abandoned, application No. 29/541,939, which is a continuation-in-part of application No. 14/304,204, filed on Jun. 13, 2014, which is a continuation-in-part of application No. 13/746,671, filed on Jan. 22, 2013, now abandoned, which is a continuation-in-part of application No. 13/347,288, filed on Jan. 10, 2012, now abandoned, application No. 29/541,939, which is a continuation-in-part of application No. 14/304,103, filed on Jun. 13, 2014.

(51) **LOC (10) Cl.** **19-08**

(52) **U.S. Cl.**
USPC **D20/22**

(58) **Field of Classification Search**
USPC D20/11, 22-29, 40, 99; D19/1, 10
CPC G09F 1/00; G09F 1/02; G09F 3/00; G09F
3/02; G09F 3/10; G09F 3/14; G09F
3/0288; G09F 2003/0021; G09F
2003/0208; G09F 2003/023; G09F
2003/0225; G09F 2003/0257; G09F

OTHER PUBLICATIONS

U.S. Pharmacopeial Convention Chapter 17 Prescription Container Labeling, USP 36-NF 31 (Nov. 2012) (2 pages).

Primary Examiner — Mary Ann Calabrese

(74) *Attorney, Agent, or Firm* — Luedeka Neely Group, PC

(57) **CLAIM**

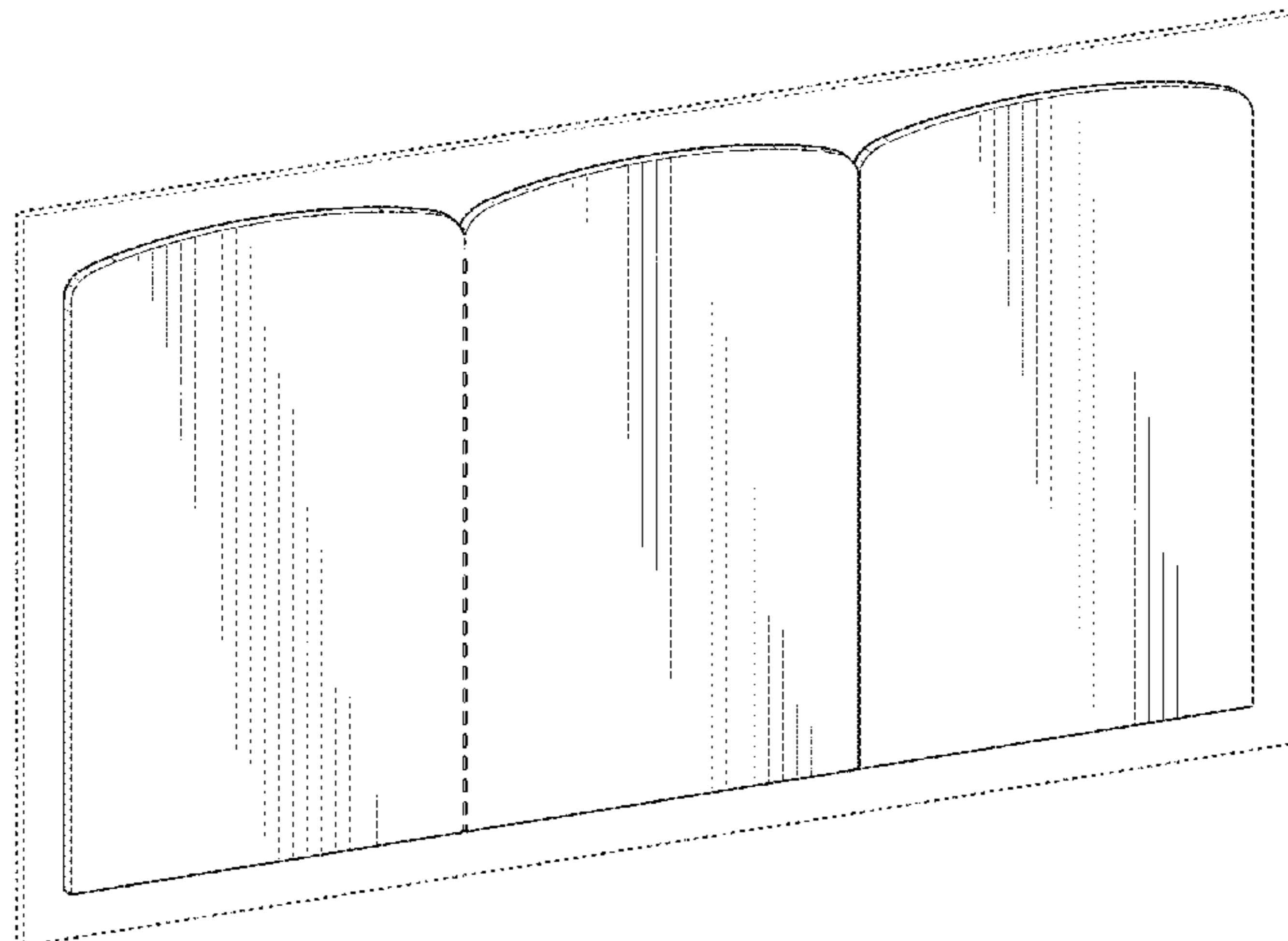
The ornamental design for a prescription label sheet, as shown and described.

DESCRIPTION

FIG. 1 is a perspective view of a prescription label sheet of our new design; and,
FIG. 2 is a top plan view of the prescription label sheet of FIG. 1.

The broken lines in the drawings show a perimeter of the prescription label sheet and are included for the purpose of illustrating portions of the article that form no part of the claimed design.

1 Claim, 2 Drawing Sheets



(56)

References Cited

U.S. PATENT DOCUMENTS

6,550,171 B1 4/2003 De Werra et al.
 D500,342 S 12/2004 Stewart et al.
 D500,524 S 1/2005 Stewart et al.
 D503,197 S 3/2005 Stewart et al.
 D588,200 S 3/2009 Langan et al.
 D593,613 S 6/2009 Langan et al.
 D595,361 S 6/2009 Langan et al.
 D597,608 S 8/2009 Langan et al.
 D602,534 S 10/2009 Langan et al.
 D605,228 S 12/2009 Langan et al.
 D605,229 S 12/2009 Langan et al.
 D605,230 S 12/2009 Langan et al.
 D607,941 S 1/2010 Langan et al.
 D614,703 S 4/2010 Langan et al.
 D621,879 S 8/2010 Langan et al.
 D621,880 S 8/2010 Langan et al.
 D624,595 S 9/2010 Langan et al.
 D624,596 S 9/2010 Langan et al.
 D631,910 S * 2/2011 Irwin, Jr. D19/1
 D633,151 S 2/2011 Langan et al.
 D634,367 S 3/2011 Langan et al.
 D634,368 S 3/2011 Langan et al.

D634,369 S 3/2011 Langan et al.
 7,918,830 B2 4/2011 Langan et al.
 7,942,451 B2 5/2011 Adler
 D639,861 S 6/2011 Langan et al.
 D639,862 S 6/2011 Langan et al.
 D639,863 S 6/2011 Langan et al.
 D641,421 S 7/2011 Langan et al.
 D641,422 S 7/2011 Langan et al.
 D643,468 S 8/2011 Langan et al.
 D643,469 S 8/2011 Langan et al.
 D643,470 S 8/2011 Langan et al.
 D643,471 S 8/2011 Langan et al.
 D643,472 S 8/2011 Langan et al.
 D645,094 S 9/2011 Langan et al.
 D649,196 S 11/2011 Langan et al.
 D650,440 S * 12/2011 Irwin, Jr. D19/10
 D683,397 S * 5/2013 Bratter D19/1
 D707,297 S 6/2014 Hoang et al.
 D726,254 S * 4/2015 Kott D19/1
 D765,869 S * 9/2016 Camper D24/189
 2009/0143745 A1 6/2009 Langan et al.
 2011/0259775 A1 * 10/2011 Bratter B32B 37/02
 206/449
 2012/0089411 A1 4/2012 Srnka et al.

* cited by examiner

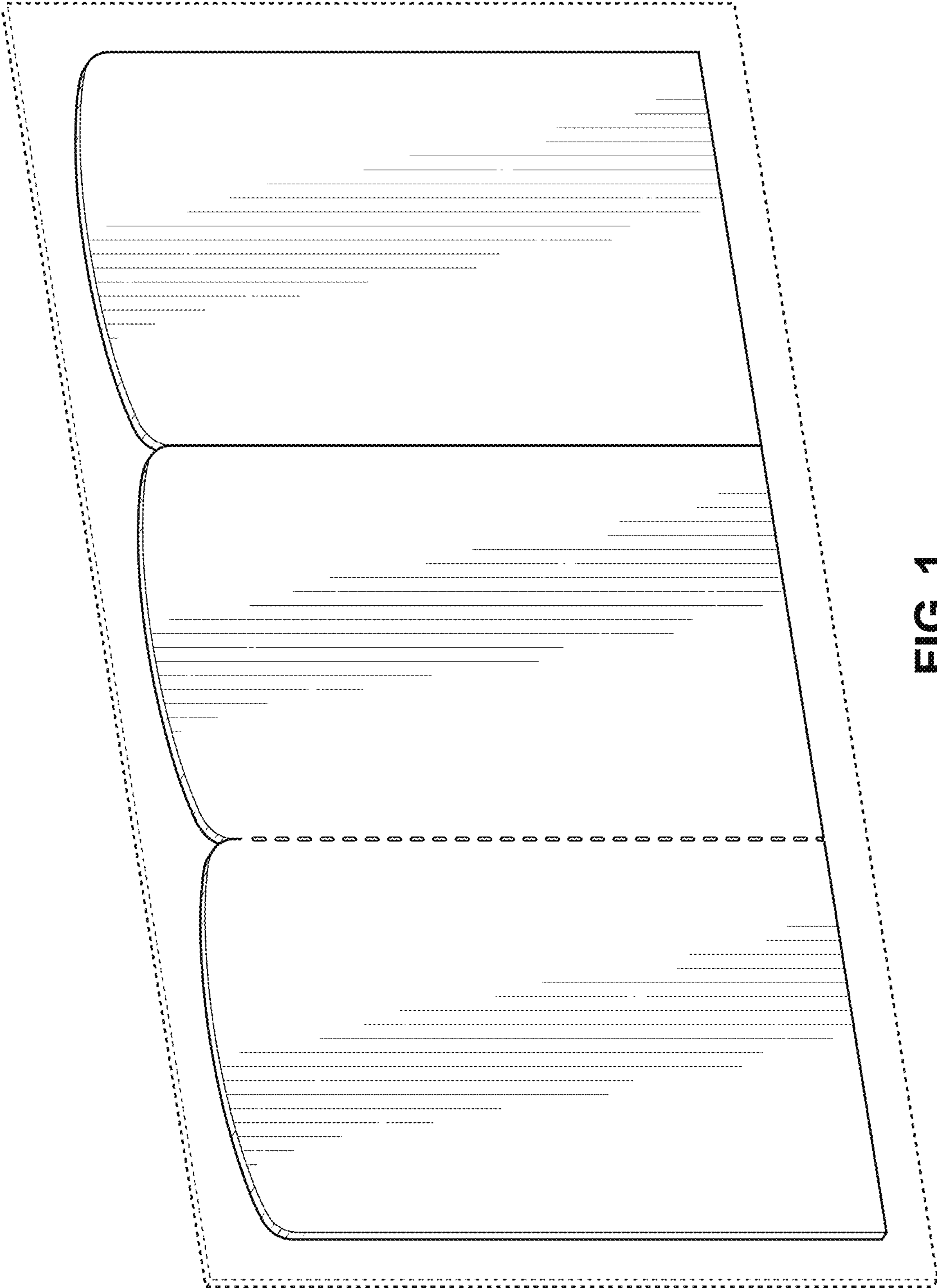


FIG. 1

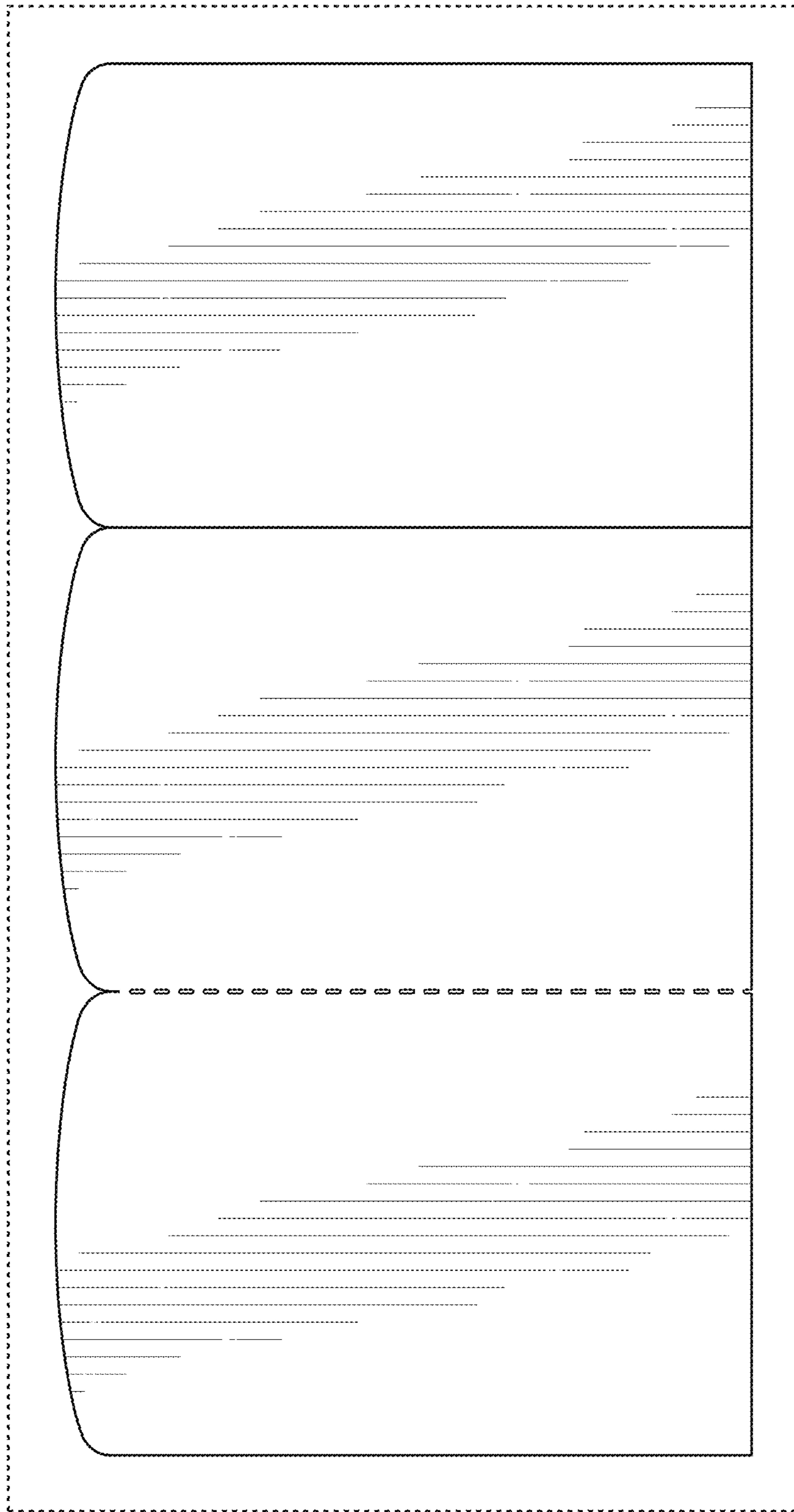


FIG. 2