



US00D781376S

(12) **United States Design Patent**
Hakukawa et al.

(10) **Patent No.:** **US D781,376 S**
(45) **Date of Patent:** **** Mar. 14, 2017**

- (54) **TONER CARTRIDGE**
- (71) Applicant: **Panasonic Intellectual Property Management Co., Ltd.**, Osaka-shi, Osaka (JP)
- (72) Inventors: **Kazuo Hakukawa**, Fukuoka (JP); **Kenji Fukuta**, Saga (JP)
- (73) Assignee: **PANASONIC INTELLECTUAL PROPERTY MANAGEMENT CO., LTD.**, Osaka (JP)
- (**) Term: **15 Years**
- (21) Appl. No.: **29/537,639**
- (22) Filed: **Aug. 27, 2015**
- (51) **LOC (10) Cl.** **16-03**
- (52) **U.S. Cl.**
USPC **D18/43**
- (58) **Field of Classification Search**
USPC .. D18/12, 18, 36, 43, 56, 99; D14/309, 332, D14/471; 399/11, 92, 106, 110, 111; 222/DIG. 1
See application file for complete search history.

(56) **References Cited**

U.S. PATENT DOCUMENTS

D356,815 S *	3/1995	Nakajima	D18/43
D379,634 S *	6/1997	Ootani	D18/43
D381,677 S *	7/1997	Makino	D18/43
5,678,147 A *	10/1997	Makino	G03G 15/0868 222/DIG. 1
D389,860 S *	1/1998	Nakajima	D18/43
5,761,585 A *	6/1998	Makino	G03G 15/0868 222/325
D414,507 S *	9/1999	Nozawa	D18/43

6,091,919 A *	7/2000	Nozawa	G03G 15/0872 222/DIG. 1
D546,874 S	7/2007	Hakukawa		
7,826,779 B2 *	11/2010	Mase	G03G 21/1817 399/111
D674,005 S	1/2013	Teramura et al.		
8,958,725 B2 *	2/2015	Koshimori	G03G 15/0886 399/258
2009/0180802 A1 *	7/2009	Sato	G03G 21/1821 399/119
2011/0076056 A1 *	3/2011	Sato	G03G 21/12 399/120
2011/0182613 A1 *	7/2011	Kamimura	G03G 15/0896 399/110
2011/0255906 A1 *	10/2011	Teramura	G03G 15/0832 399/263
2013/0216273 A1 *	8/2013	Koshimori	G03G 15/0886 399/262

* cited by examiner

Primary Examiner — Barbara Fox

Assistant Examiner — Mary C Ramirez

(74) *Attorney, Agent, or Firm* — Binks Gilson & Lione

(57) **CLAIM**

We claim the ornamental design for a toner cartridge, as shown and described.

DESCRIPTION

FIG. 1 is a front, top, left side perspective view of a toner cartridge showing our new design;
 FIG. 2 is a rear, top, right side perspective view thereof;
 FIG. 3 is a front view thereof;
 FIG. 4 is a rear view thereof;
 FIG. 5 is a left side view thereof;
 FIG. 6 is a right side view thereof;
 FIG. 7 is a top view thereof; and,
 FIG. 8 is a bottom view thereof.

1 Claim, 8 Drawing Sheets

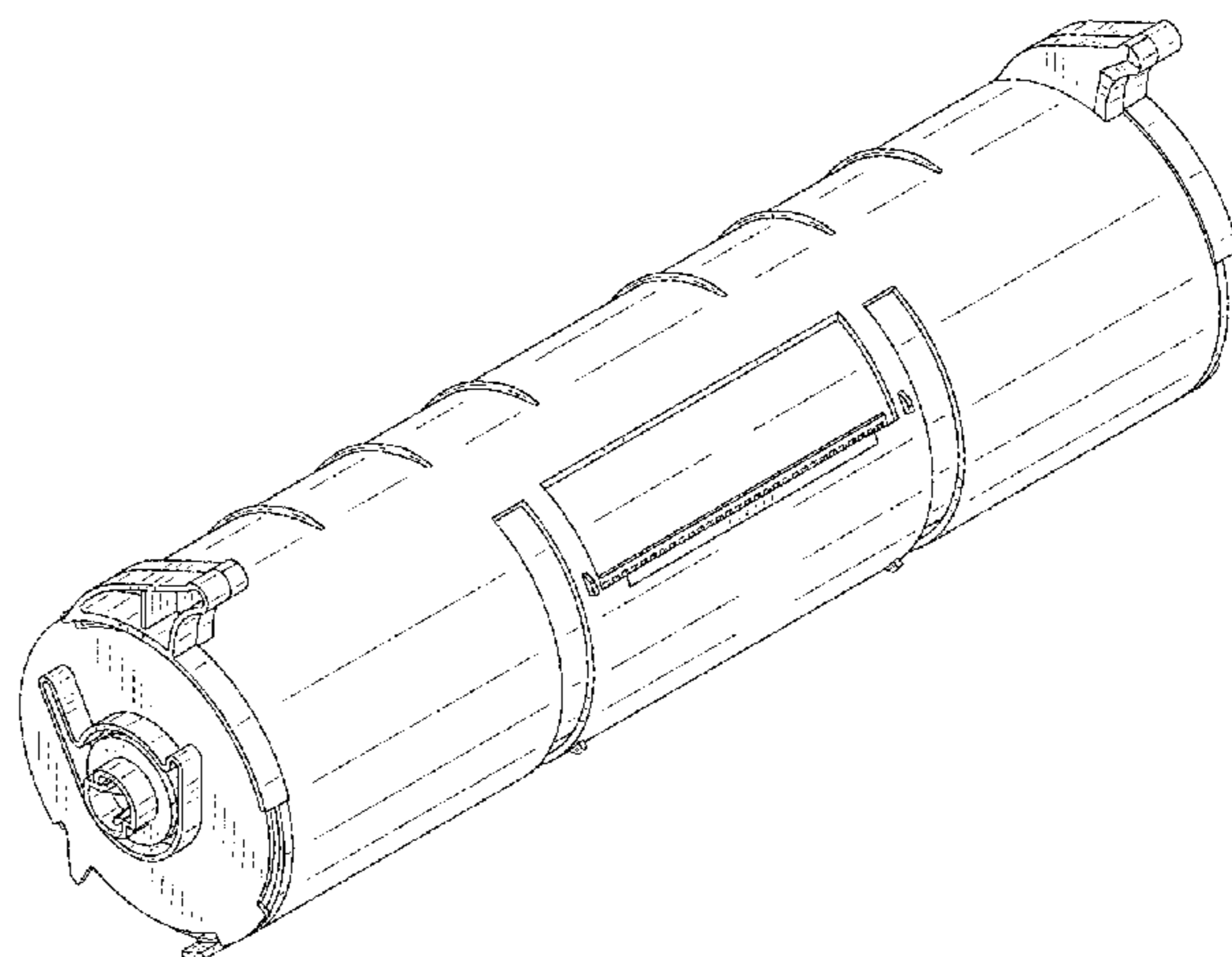
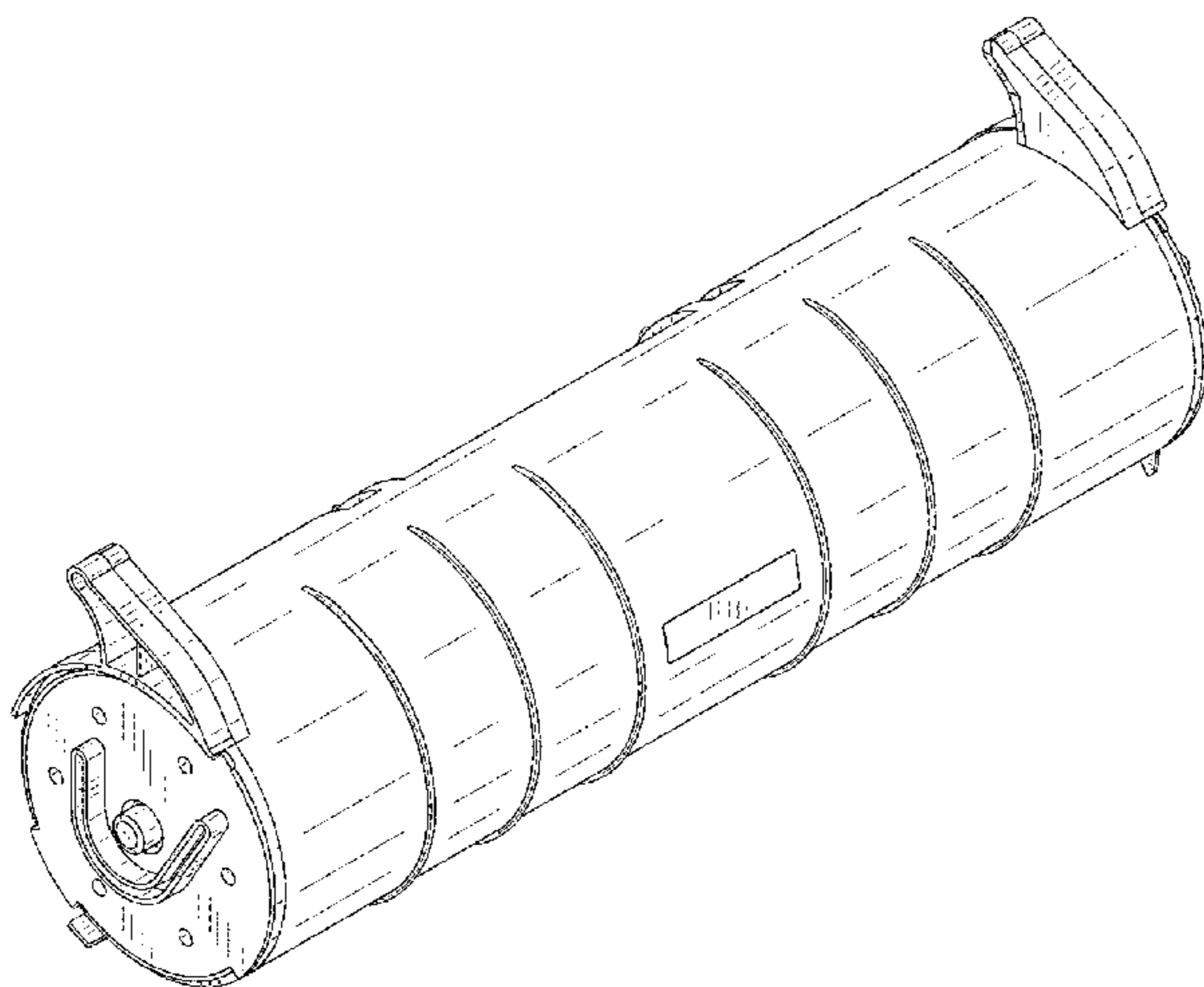


FIG. 1

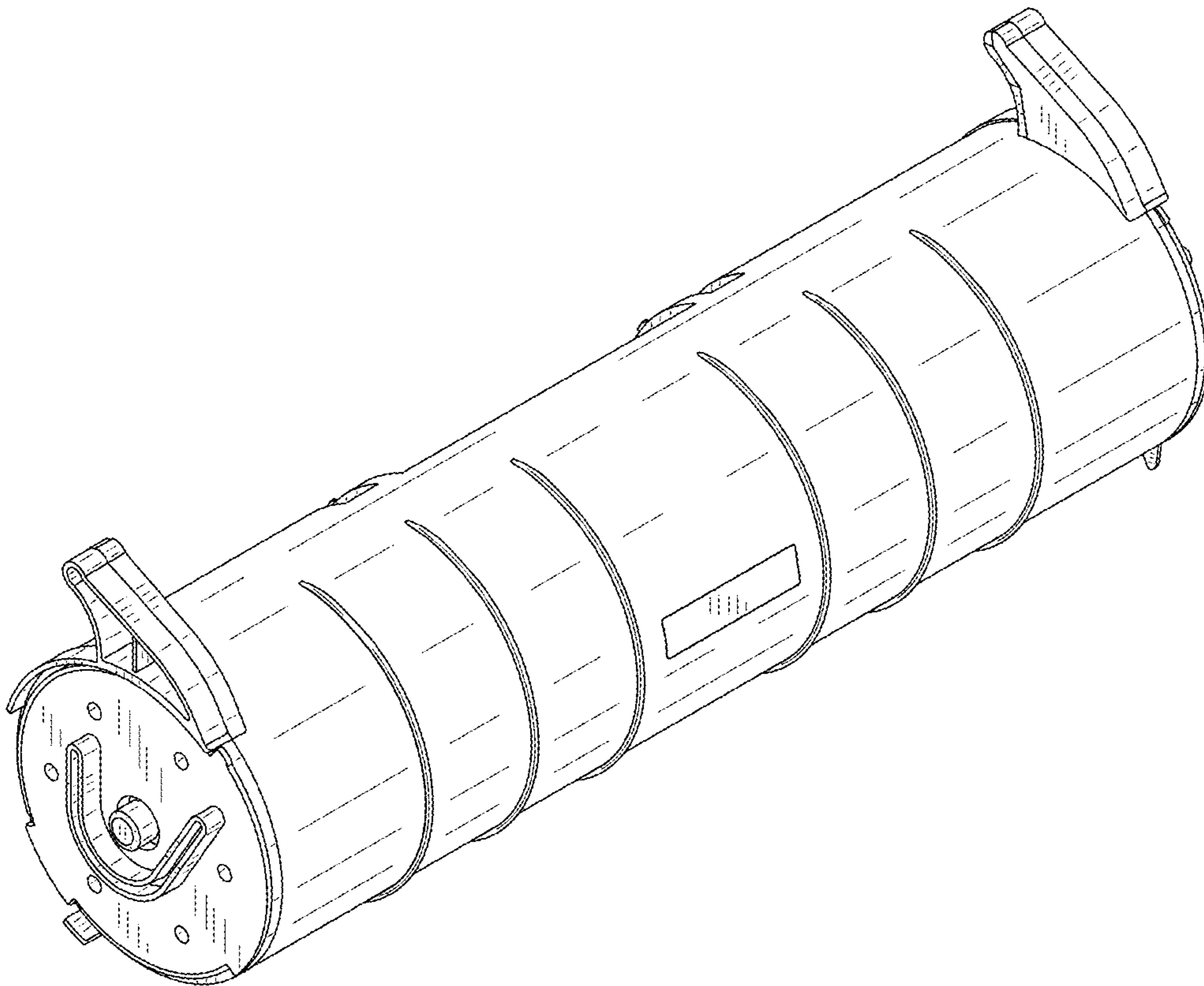


FIG.2

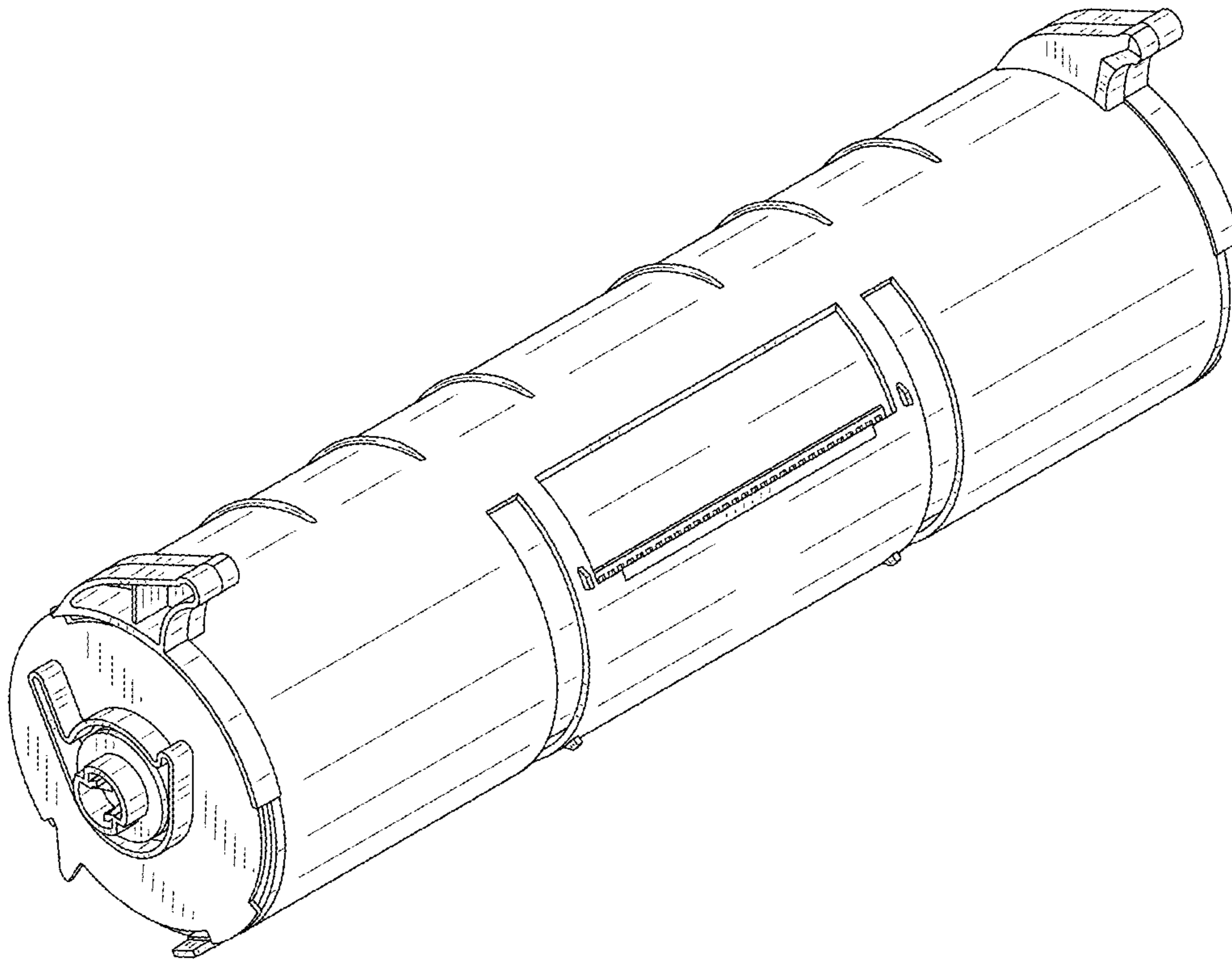


FIG.3

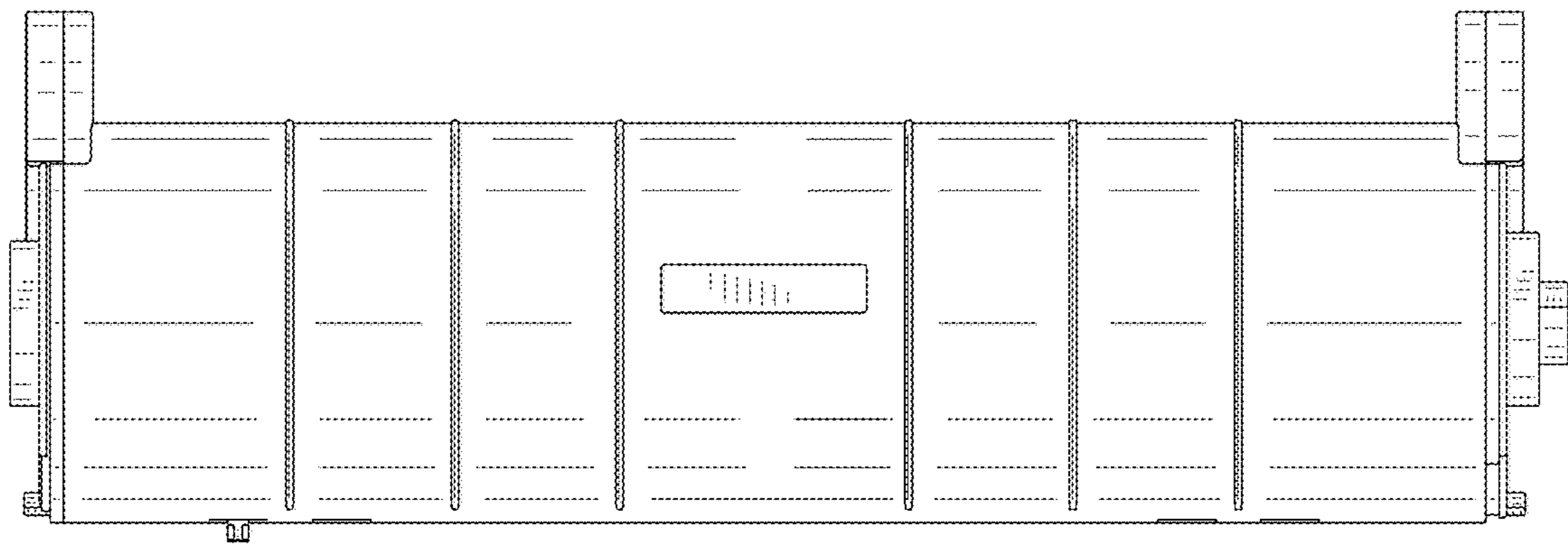


FIG.4

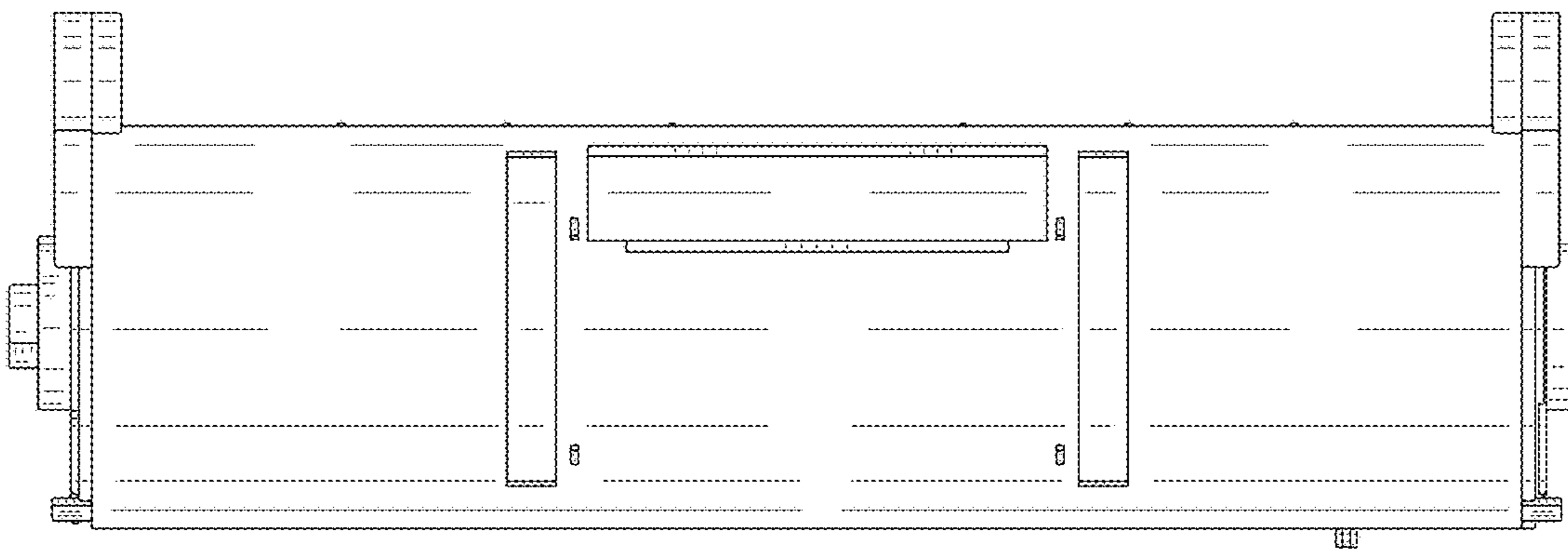


FIG.5

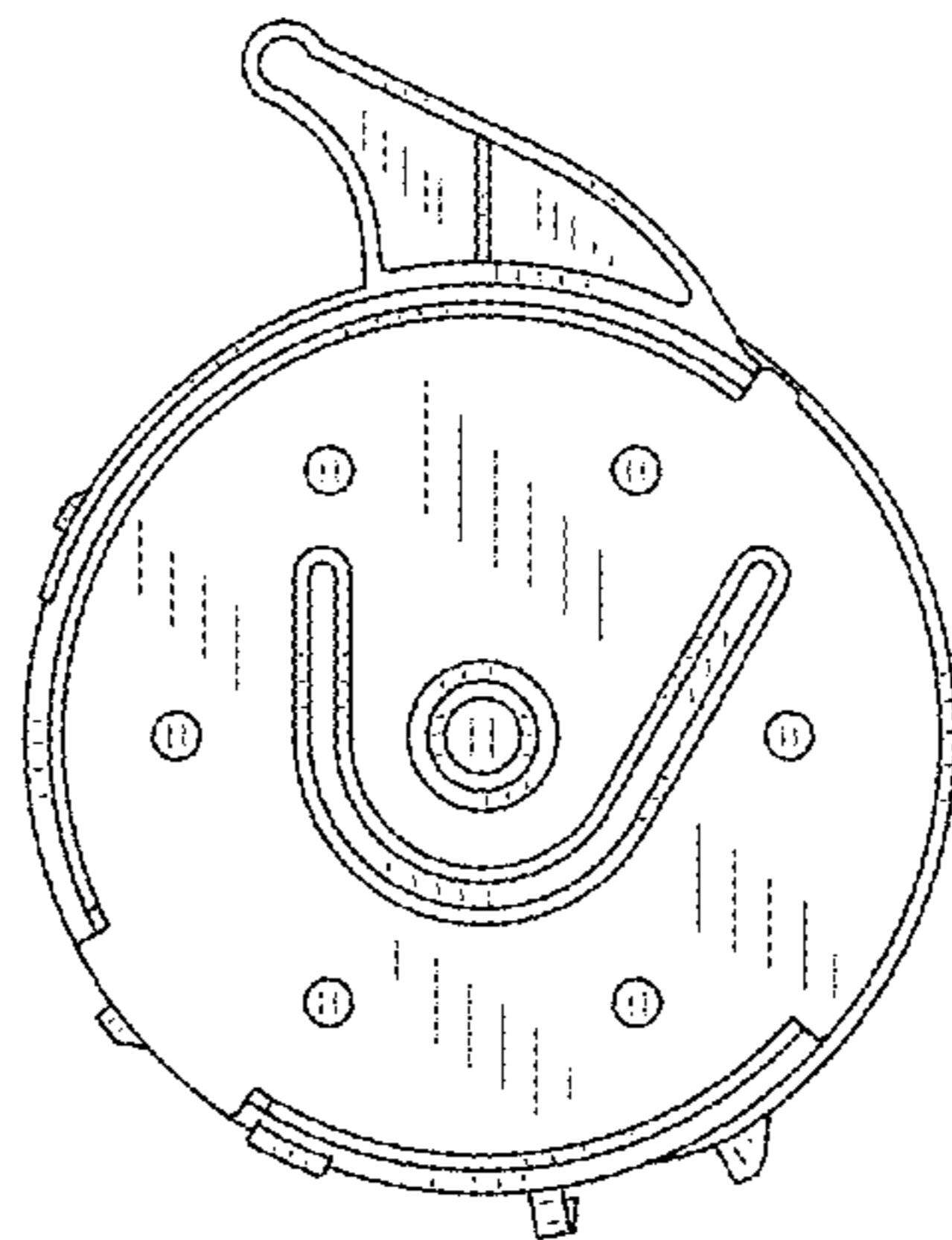


FIG.6

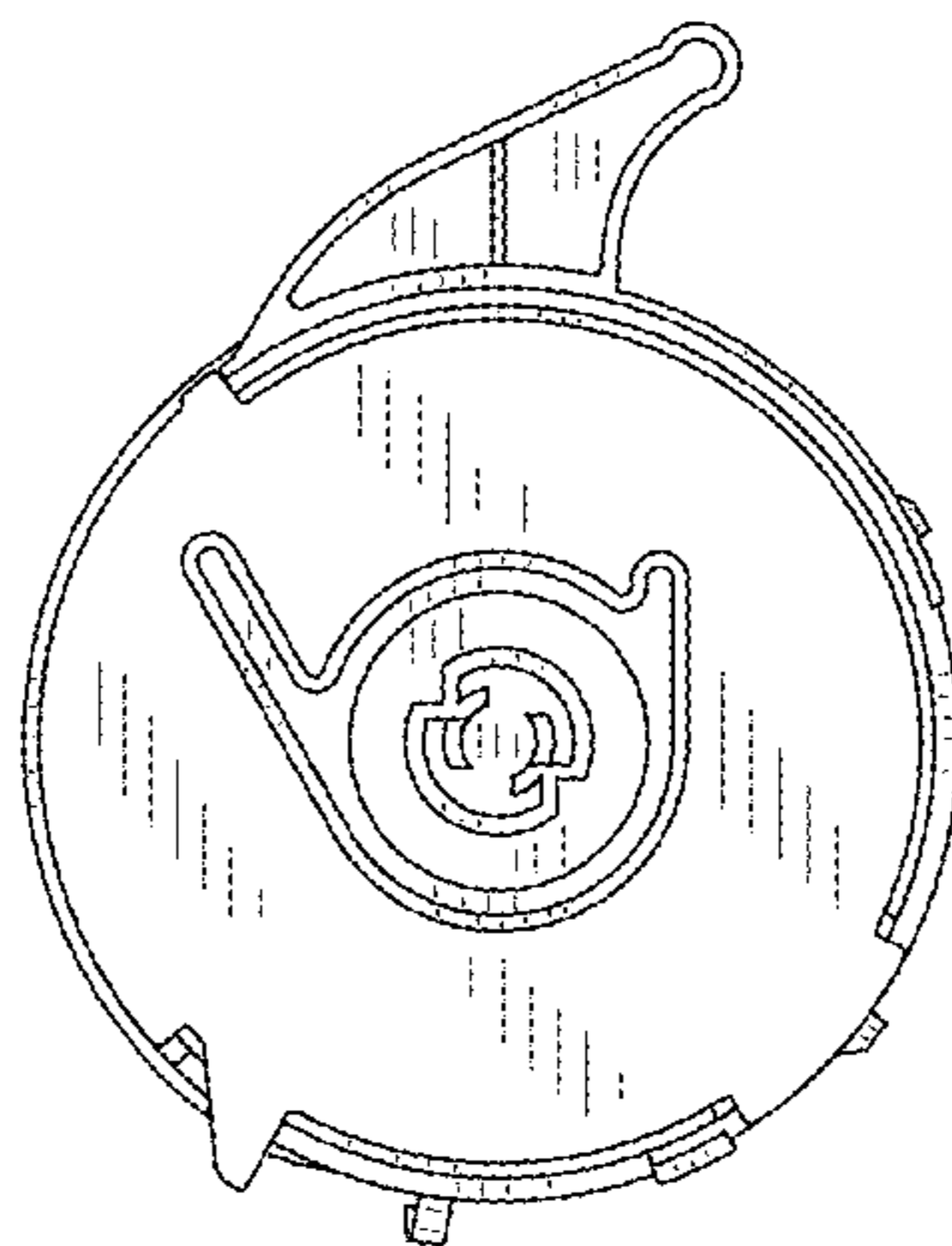


FIG.7

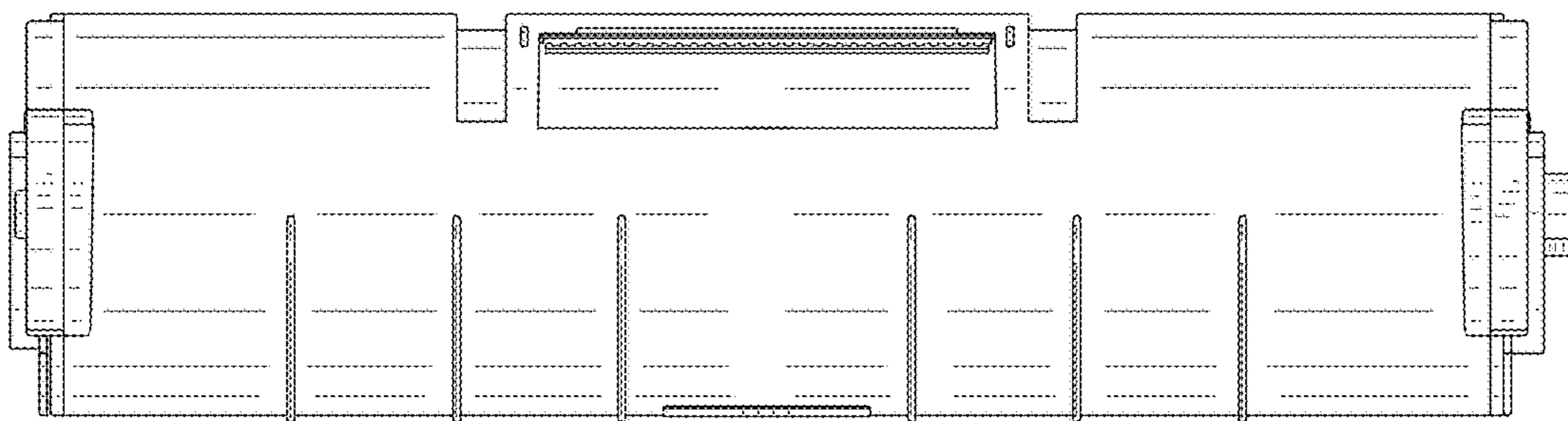


FIG. 8

