



US00D781375S

(12) **United States Design Patent**
Takami

(10) **Patent No.:** **US D781,375 S**
(45) **Date of Patent:** **** Mar. 14, 2017**

(54) **TONER CONTAINER**

(71) Applicant: **Nobuo Takami**, Ohta-ku (JP)
(72) Inventor: **Nobuo Takami**, Ohta-ku (JP)
(73) Assignee: **RICOH COMPANY, LTD.**, Tokyo (JP)
(**) Term: **14 Years**

(21) Appl. No.: **29/518,188**

(22) Filed: **Feb. 20, 2015**

(30) **Foreign Application Priority Data**

Oct. 28, 2014 (JP) 2014-024051

(51) **LOC (10) Cl.** **19-02**

(52) **U.S. Cl.**
USPC **D18/43**

(58) **Field of Classification Search**
USPC D18/12, 18, 36, 40, 43, 44, 56; D14/230,
D14/471, 474, 475; D9/500; D8/20, 98;
D7/650; D15/138, 139; 399/24-27, 91,
399/106-112, 194, 196, 197, 222-224,
399/258; 347/49, 197, 214, 222;
400/194, 196; 408/204, 208; 30/165,
30/388; 137/15.14; 299/105; 606/45
(Continued)

(56) **References Cited**

U.S. PATENT DOCUMENTS

3,374,815 A * 3/1968 Anderson, Jr. B23D 61/128
83/852
D505,695 S * 5/2005 Naraoka D18/43
(Continued)

FOREIGN PATENT DOCUMENTS

JP 10-319696 A 12/1998

OTHER PUBLICATIONS

U.S. Appl. No. 29/518,183, filed Feb. 20, 2015, Takami.

Primary Examiner — Wan Laymon
Assistant Examiner — Clint A Samuel
(74) *Attorney, Agent, or Firm* — Oblon, McClelland,
Maier & Neustadt, L.L.P.

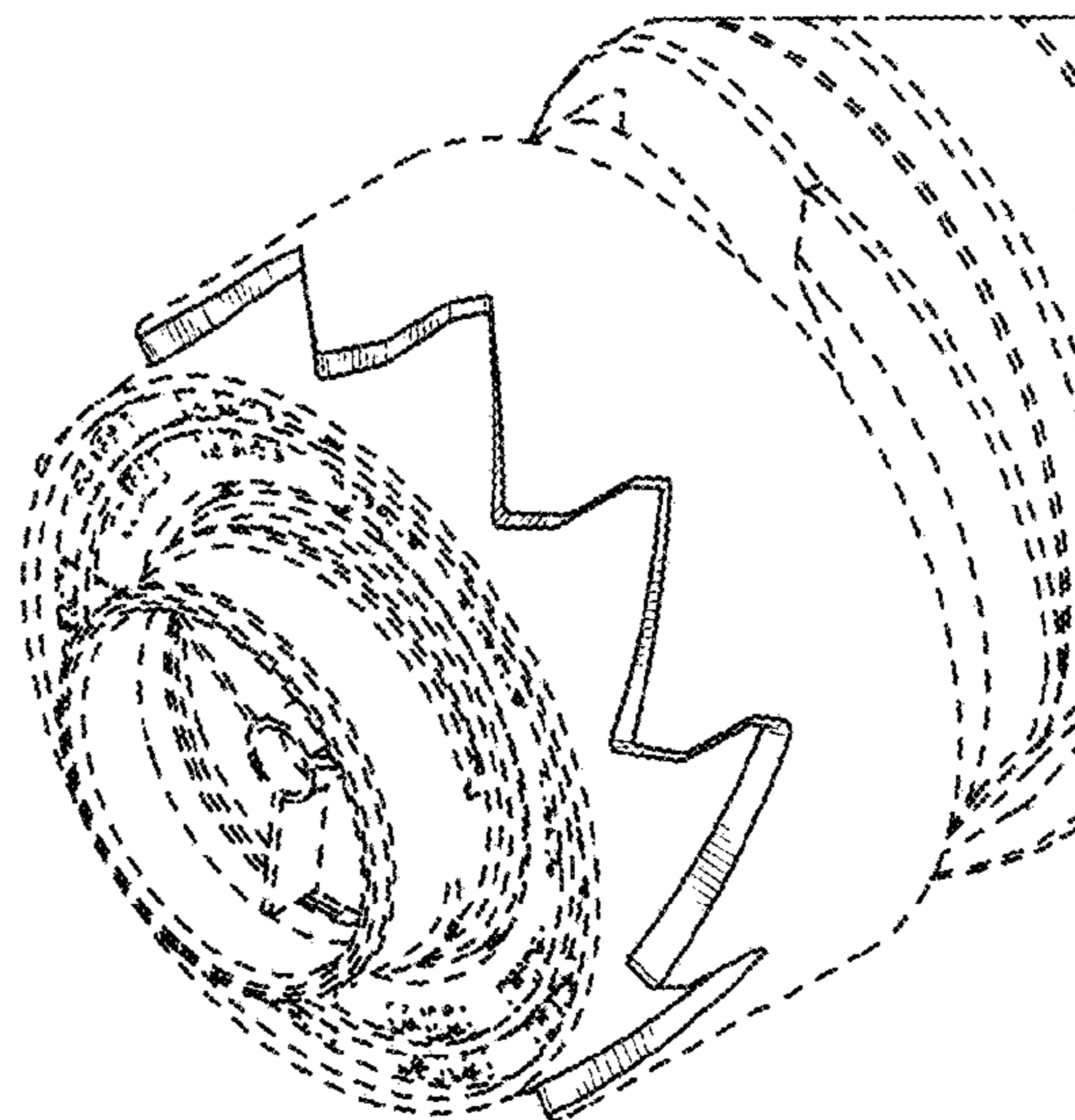
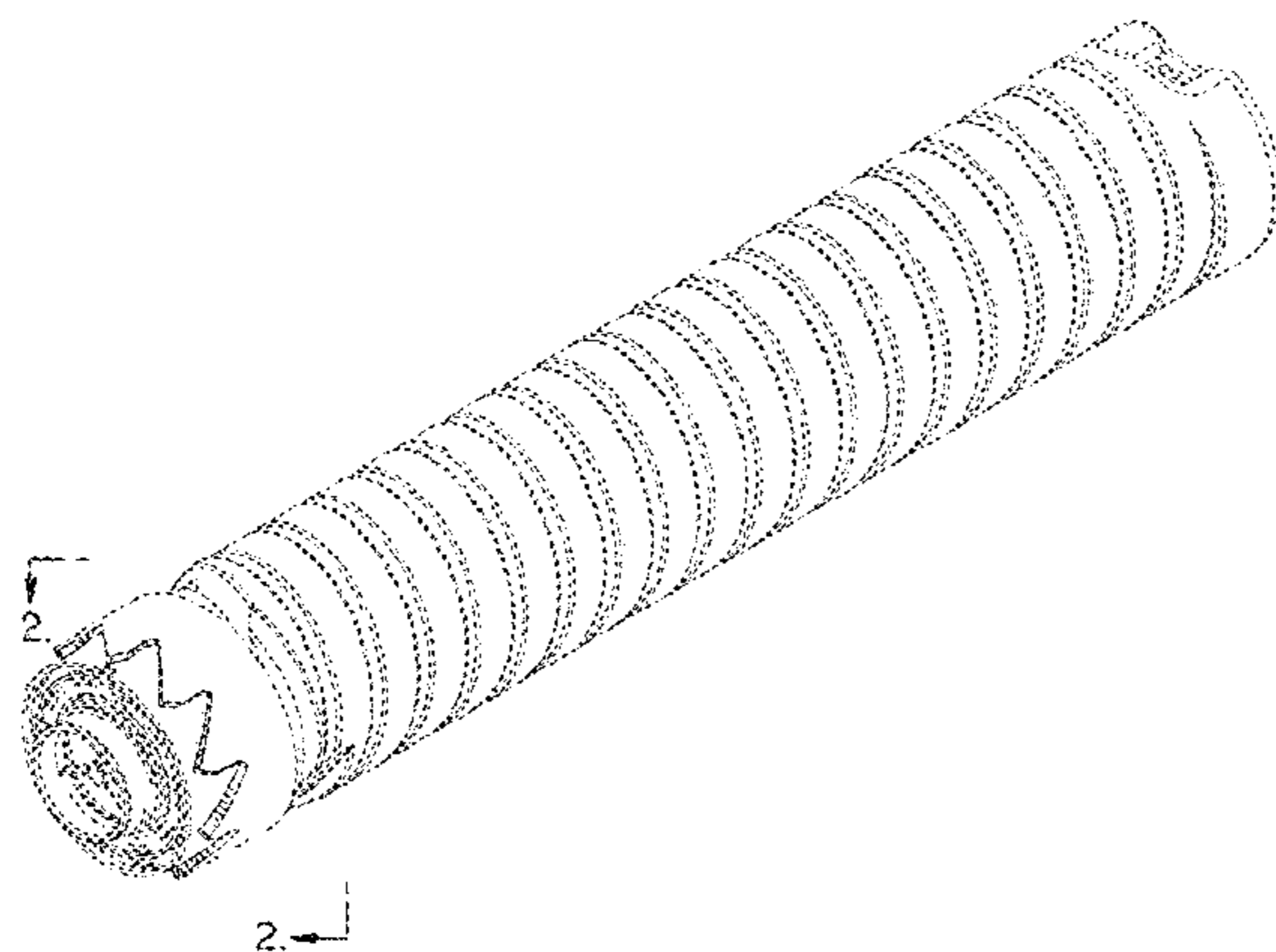
(57) **CLAIM**

The ornamental design for a toner container, as shown and described.

DESCRIPTION

FIG. 1 is a top, front, and left side perspective view of a toner container;
FIG. 2 is a detail view showing a partial enlarged top, front, and left side perspective view thereof, along line 2-2 in FIG. 1;
FIG. 3 is bottom, back, left side perspective view thereof;
FIG. 4 is a detail view showing a partial enlarged bottom, back, and left side perspective view thereof, along line 4-4 in FIG. 3;
FIG. 5 is a front elevational view thereof;
FIG. 6 is a back elevational view thereof;
FIG. 7 is a top elevational view thereof;
FIG. 8 is a bottom elevational view thereof;
FIG. 9 is a left side elevational view thereof; and,
FIG. 10 is an enlarged left side elevational view thereof.
The dashed lines in the drawings depict environmental subject matter only and form no part of the claimed design.
The dash-dot-dash lines in FIGS. 2 and 4 correspond to line 2-2 in FIG. 1 and line 4-4 in FIG. 3, respectively, and form no part of the claimed design.

1 Claim, 9 Drawing Sheets



(58) **Field of Classification Search**

CPC G03G 15/08; G03G 15/0832; G03G
15/0834; G03G 15/0836; G03G 15/0837;
G03G 15/0867; G03G 15/0868; G03G
2215/067; G03G 2215/0668; G03G
21/1619; Y10S 222/01; B23B 51/0406;
B23B 2260/072; B23B 2260/07; B27B
5/12

See application file for complete search history.

(56) **References Cited**

U.S. PATENT DOCUMENTS

D531,662 S * 11/2006 Tsuda D18/43
D532,037 S * 11/2006 Tsuda D18/43
D571,394 S * 6/2008 Lin D18/43
D591,336 S * 4/2009 Kurenuma D18/43
D596,225 S * 7/2009 Kurenuma D18/43
D598,490 S * 8/2009 Kurenuma D18/43
D599,845 S * 9/2009 Kurenuma D18/43
D600,275 S * 9/2009 Kurenuma D18/43
D602,985 S * 10/2009 Yoshizawa D18/43
D607,044 S * 12/2009 Kurenuma D18/43
D607,045 S * 12/2009 Kurenuma D18/43
D620,523 S * 7/2010 Yoshida D18/43
D622,311 S * 8/2010 Yoshida D18/43
D622,312 S * 8/2010 Yoshida D18/43
D622,759 S * 8/2010 Yoshida D18/43
D634,343 S * 3/2011 Burke, III D15/139
D697,132 S * 1/2014 Kawaguchi D18/43
D706,845 S * 6/2014 Richter D15/139
D707,751 S * 6/2014 Wakimoto D18/43
D736,850 S * 8/2015 Kikuchi D18/43
D753,216 S * 4/2016 Kikuchi D18/43

* cited by examiner

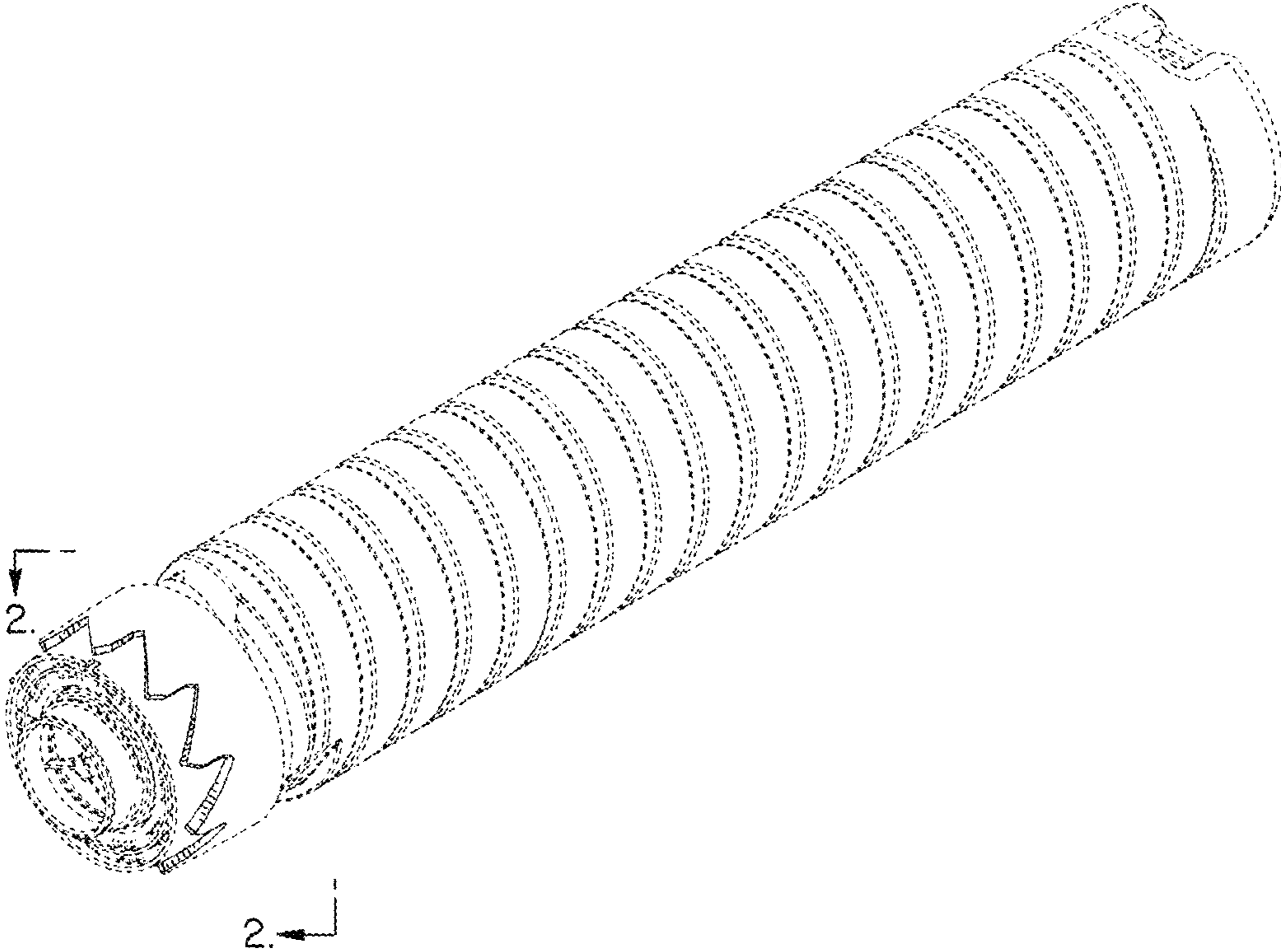


FIG. 1

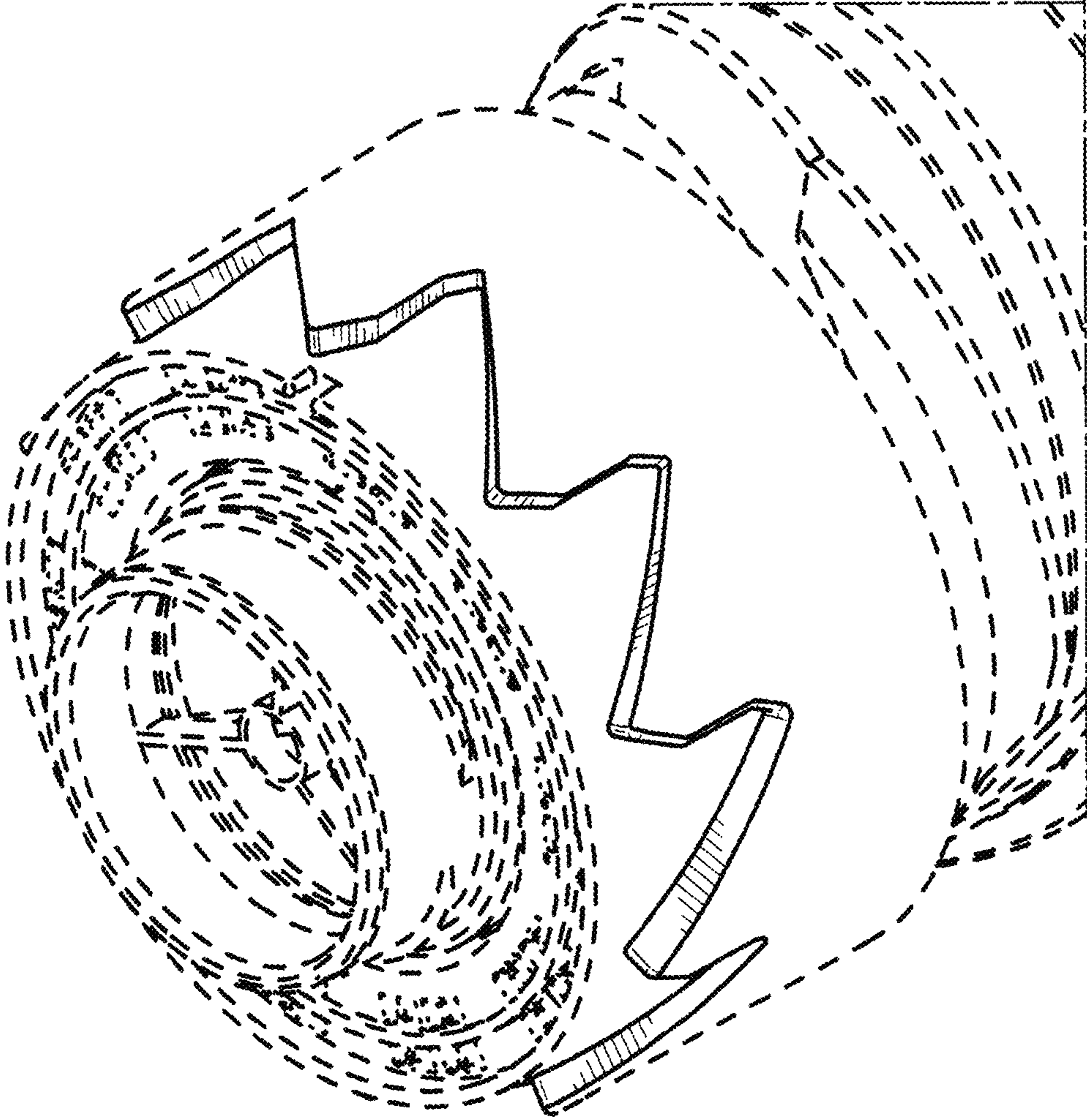


FIG. 2

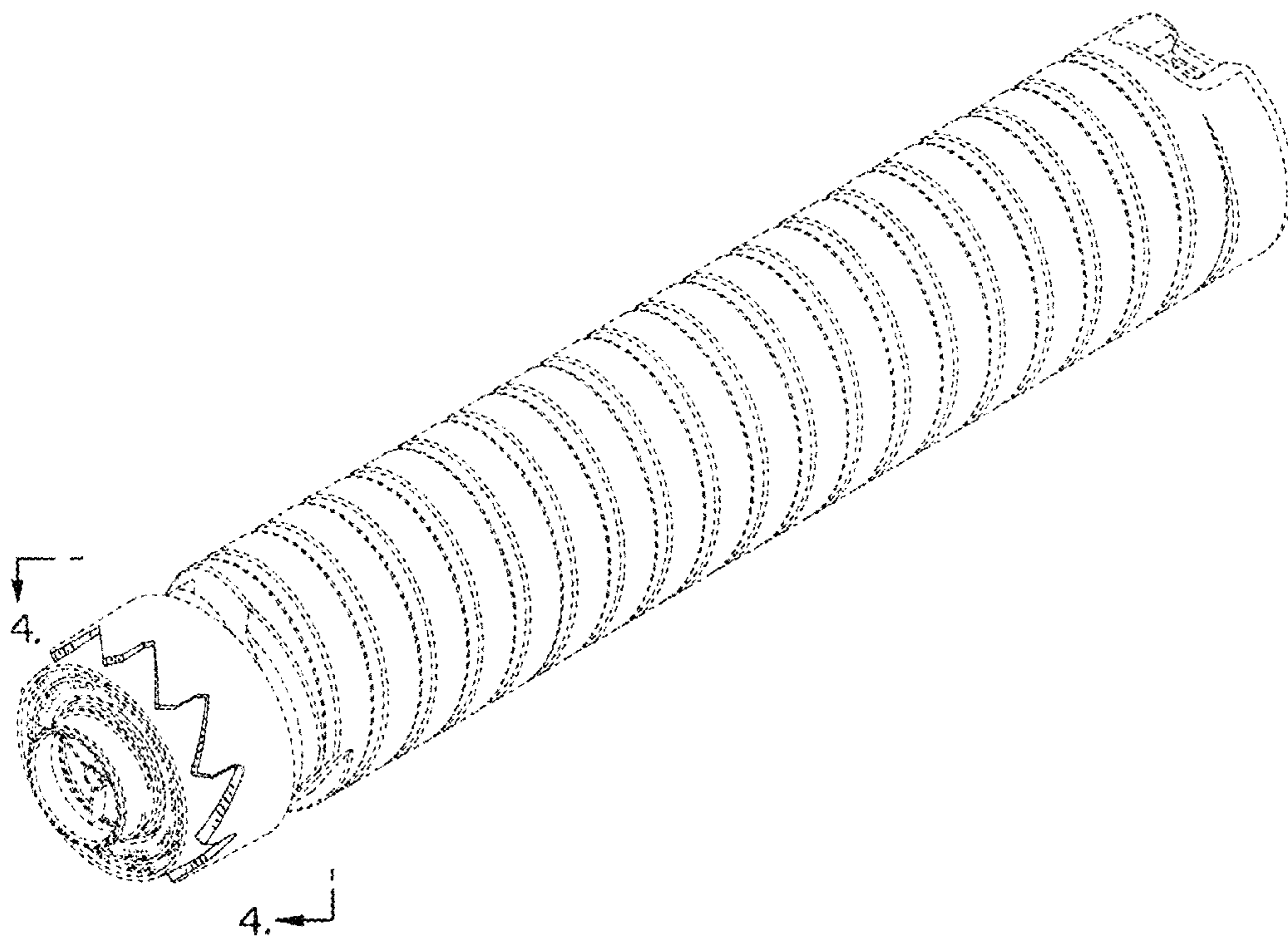


FIG. 3

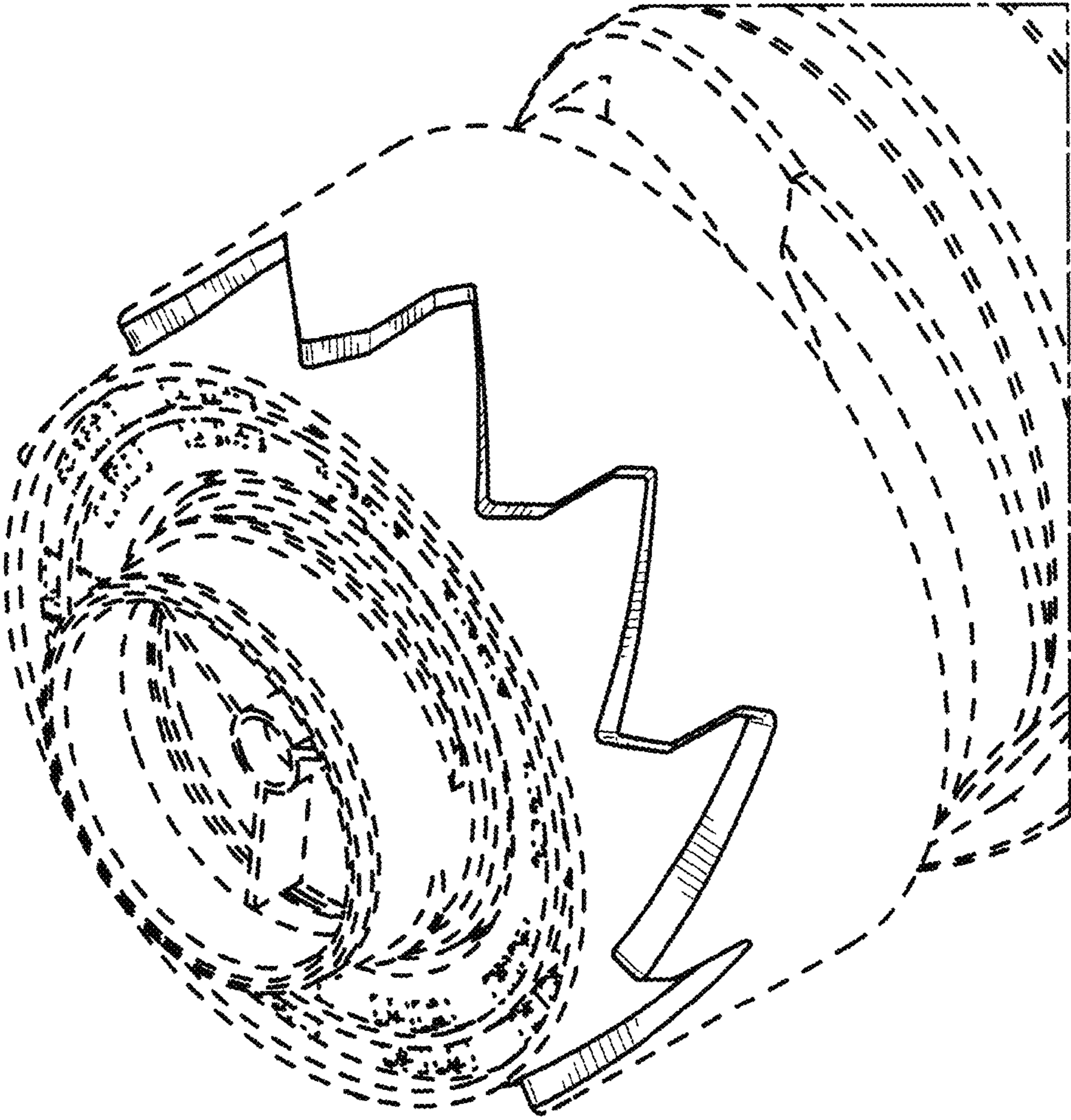


FIG. 4

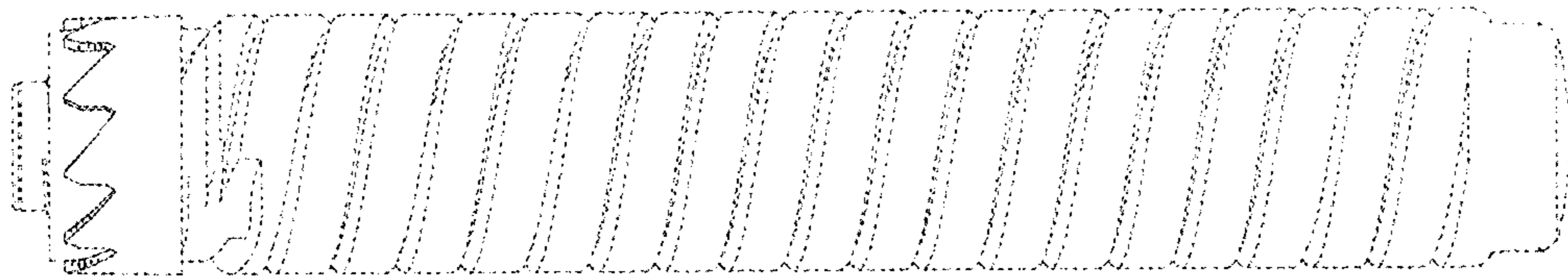


FIG. 5

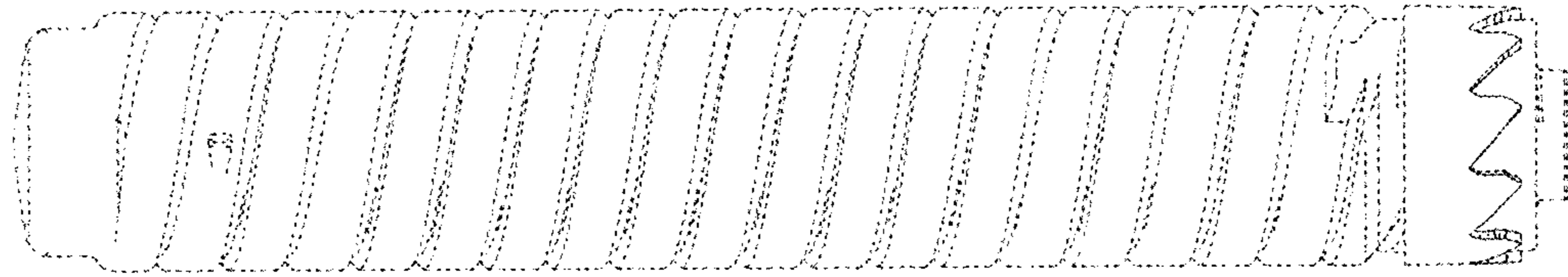


FIG. 6

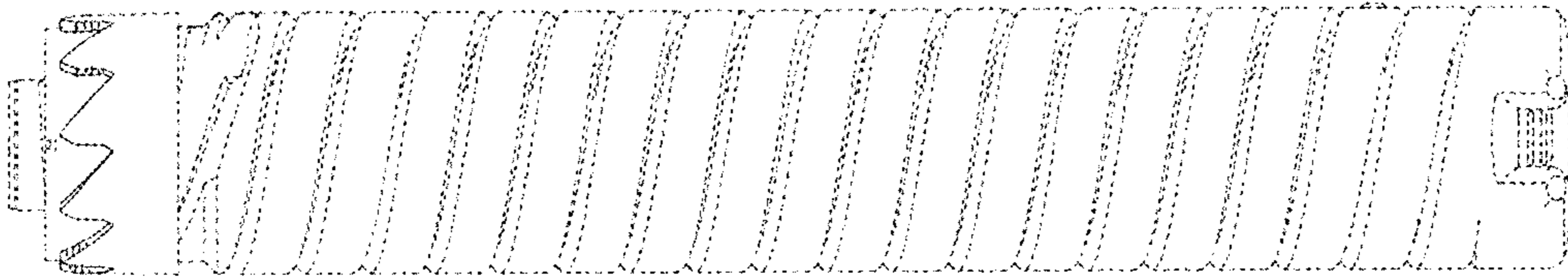


FIG. 7

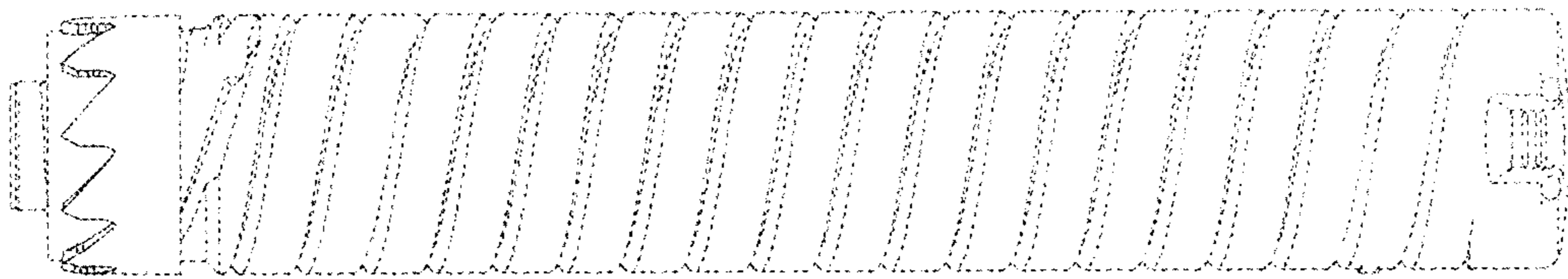


FIG. 8

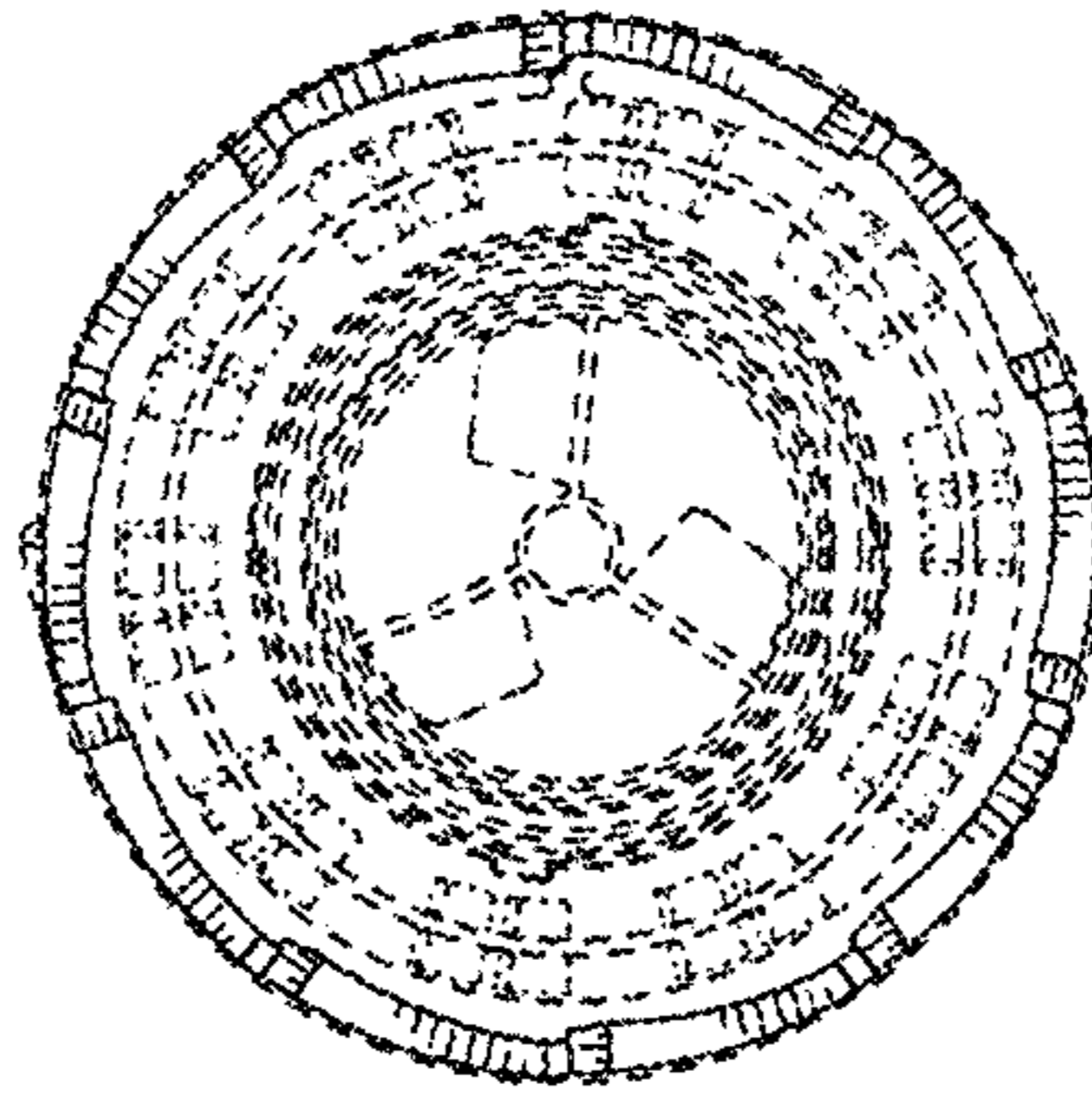


FIG. 9

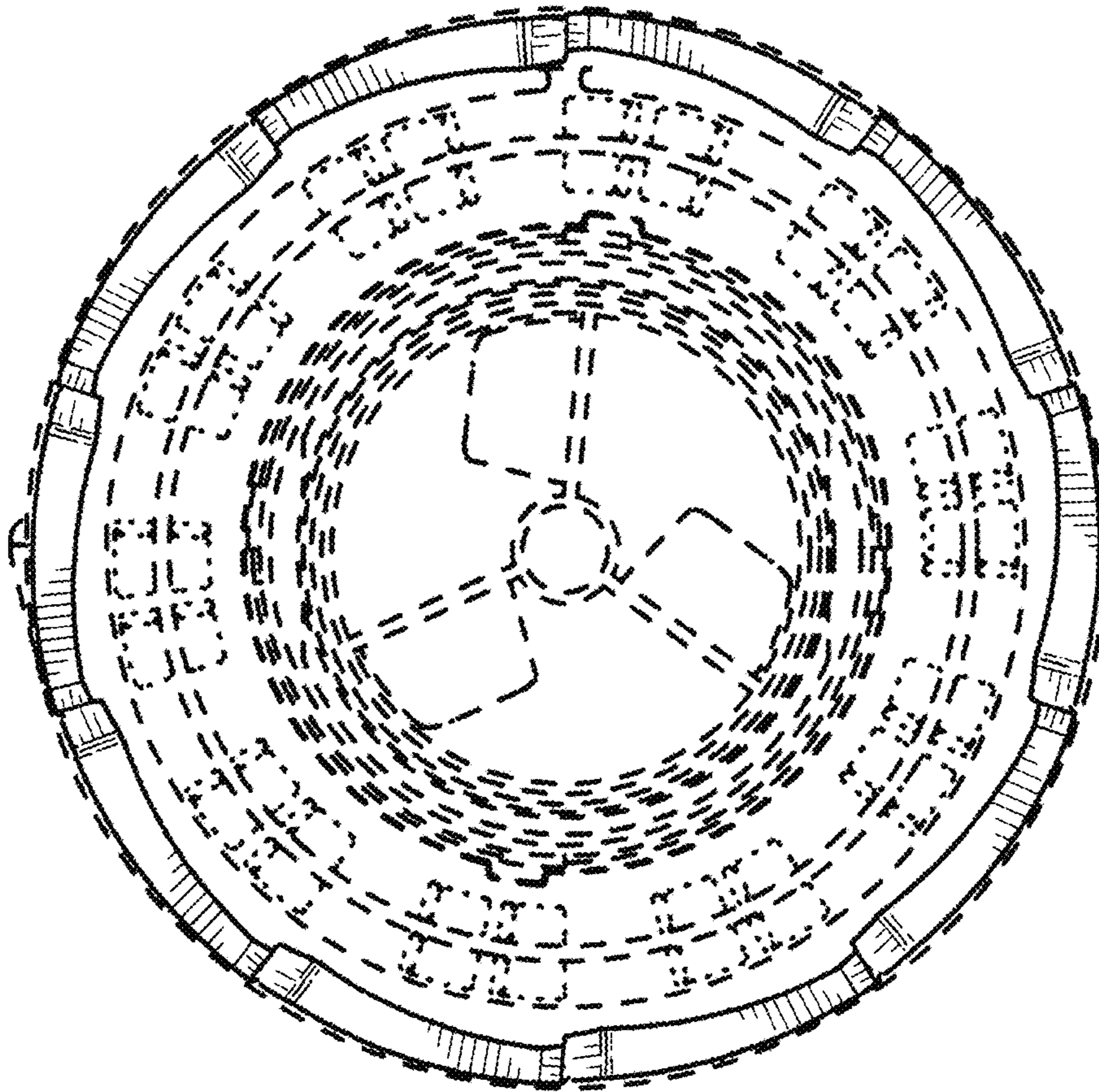


FIG. 10