



US00D781374S

(12) **United States Design Patent**
Takami

(10) **Patent No.:** **US D781,374 S**
(45) **Date of Patent:** **** Mar. 14, 2017**

(54) **TONER CONTAINER**

- (71) Applicant: **Nobuo Takami**, Ohta-ku (JP)
- (72) Inventor: **Nobuo Takami**, Ohta-ku (JP)
- (73) Assignee: **RICOH COMPANY, LTD.**, Tokyo (JP)
- (**) Term: **14 Years**
- (21) Appl. No.: **29/518,183**
- (22) Filed: **Feb. 20, 2015**

(30) **Foreign Application Priority Data**

- Oct. 28, 2014 (JP) 2014-024053
- (51) **LOC (10) Cl.** **19-02**
- (52) **U.S. Cl.**
USPC **D18/43**
- (58) **Field of Classification Search**
USPC D18/12, 18, 36, 40, 43, 44, 56; D14/230,
D14/471, 474, 475; D9/500; D8/20, 98;
D7/650; D15/138, 139; 399/24-27, 91,
399/106-112, 194, 196, 197, 222-224,
399/258; 347/49, 197, 214, 222;
400/194, 196; 408/204, 208; 30/165,
30/388; 137/15.14; 299/105; 606/45
CPC G03G 15/08; G03G 15/0832; G03G
15/0834; G03G 15/0836; G03G 15/0837;
G03G 15/0867; G03G 15/0868; G03G
2215/067; G03G 2215/0668; G03G
21/1619; Y10S 222/01; B23B 51/0406;
B23B 2260/072; B23B 2260/07; B27B
5/12

See application file for complete search history.

(56) **References Cited**

U.S. PATENT DOCUMENTS

- 3,374,815 A * 3/1968 Anderson, Jr. B23D 61/128
83/852
- D505,695 S * 5/2005 Naraoka D18/43
- D531,662 S * 11/2006 Tsuda D18/43
- D532,037 S * 11/2006 Tsuda D18/43

(Continued)

OTHER PUBLICATIONS

- U.S. Appl. No. 29/518,188, filed Feb. 20, 2015, Takami.
- U.S. Appl. No. 29/518,188, filed Feb. 20, 2015.

Primary Examiner — Wan Laymon

Assistant Examiner — Clint A Samuel

(74) *Attorney, Agent, or Firm* — Oblon, McClelland,
Maier & Neustadt, L.L.P.

(57) **CLAIM**

The ornamental design for a toner container, as shown and described.

DESCRIPTION

FIG. 1 is a top, front, and left side perspective view of a toner container;

FIG. 2 is a detail view showing a partial enlarged top, front, and left side perspective view thereof, along line 2-2 in FIG. 1;

FIG. 3 is bottom, back, left side perspective view thereof;

FIG. 4 is a detail view showing a partial enlarged bottom, back, and left side perspective view thereof, along line 4-4 in FIG. 3;

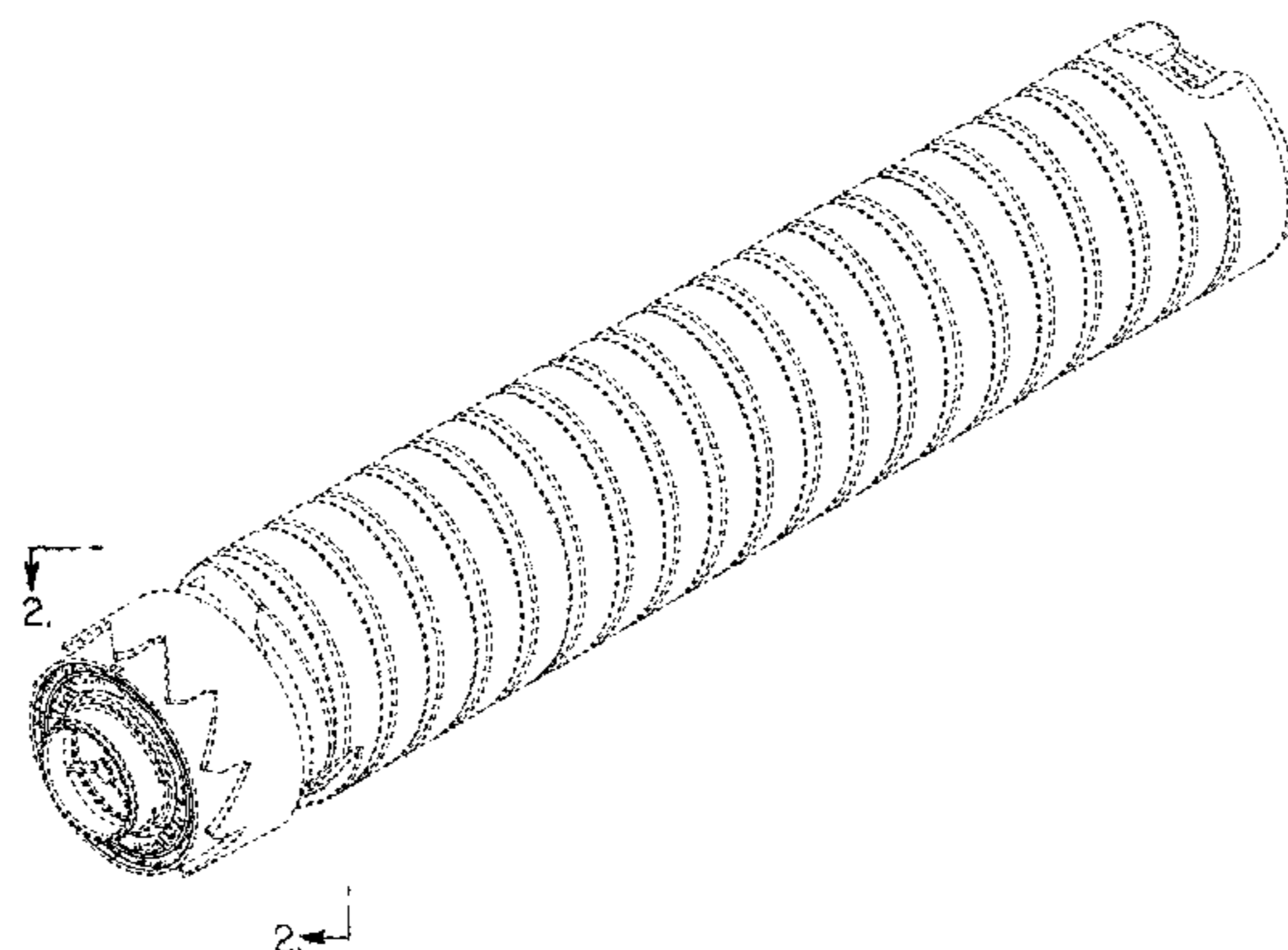
FIG. 5 is a left side elevational view thereof; and,

FIG. 6 is an enlarged left side elevational view thereof.

The dashed lines in the drawings depict environmental subject matter only and form no part of the claimed design.

The dash-dot-dash lines in FIGS. 2 and 4 correspond to line 2-2 in FIG. 1 and line 4-4 in FIG. 3, respectively, and form no part of the claimed design.

1 Claim, 5 Drawing Sheets



(56)

References Cited

U.S. PATENT DOCUMENTS

D571,394	S	*	6/2008	Lin	D18/43
D591,336	S	*	4/2009	Kurenuma	D18/43
D596,225	S	*	7/2009	Kurenuma	D18/43
D598,490	S	*	8/2009	Kurenuma	D18/43
D599,845	S	*	9/2009	Kurenuma	D18/43
D600,275	S	*	9/2009	Kurenuma	D18/43
D602,985	S	*	10/2009	Yoshizawa	D18/43
D607,044	S	*	12/2009	Kurenuma	D18/43
D607,045	S	*	12/2009	Kurenuma	D18/43
D620,523	S	*	7/2010	Yoshida	D18/43
D622,311	S	*	8/2010	Yoshida	D18/43
D622,312	S	*	8/2010	Yoshida	D18/43
D622,759	S	*	8/2010	Yoshida	D18/43
D634,343	S	*	3/2011	Burke, III	D15/139
D697,132	S	*	1/2014	Kawaguchi	D18/43
D706,845	S	*	6/2014	Richter	D15/139
D707,751	S	*	6/2014	Wakimoto	D18/43
D736,850	S	*	8/2015	Kikuchi	D18/43
D753,216	S	*	4/2016	Kikuchi	D18/43

* cited by examiner

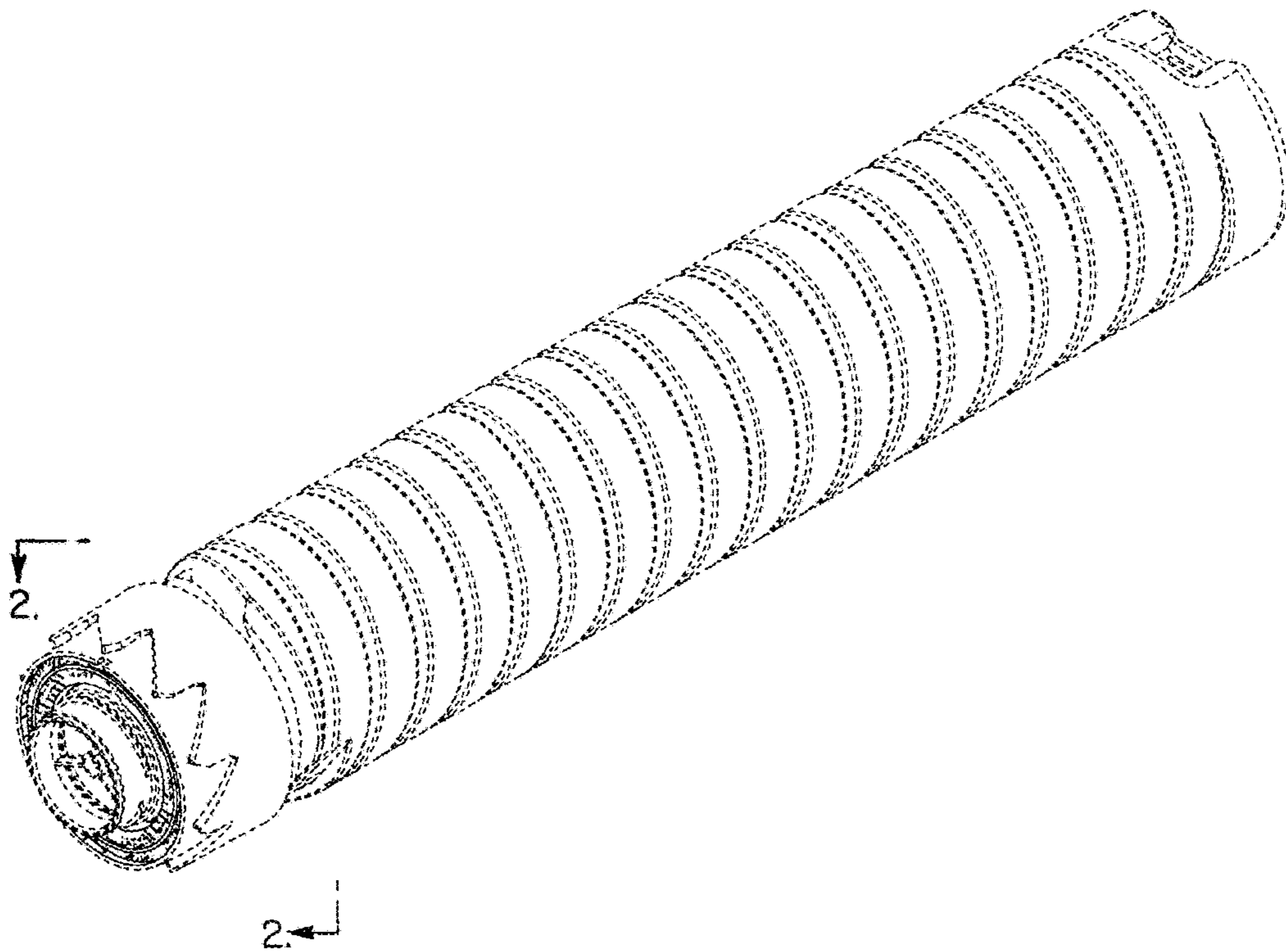


FIG. 1

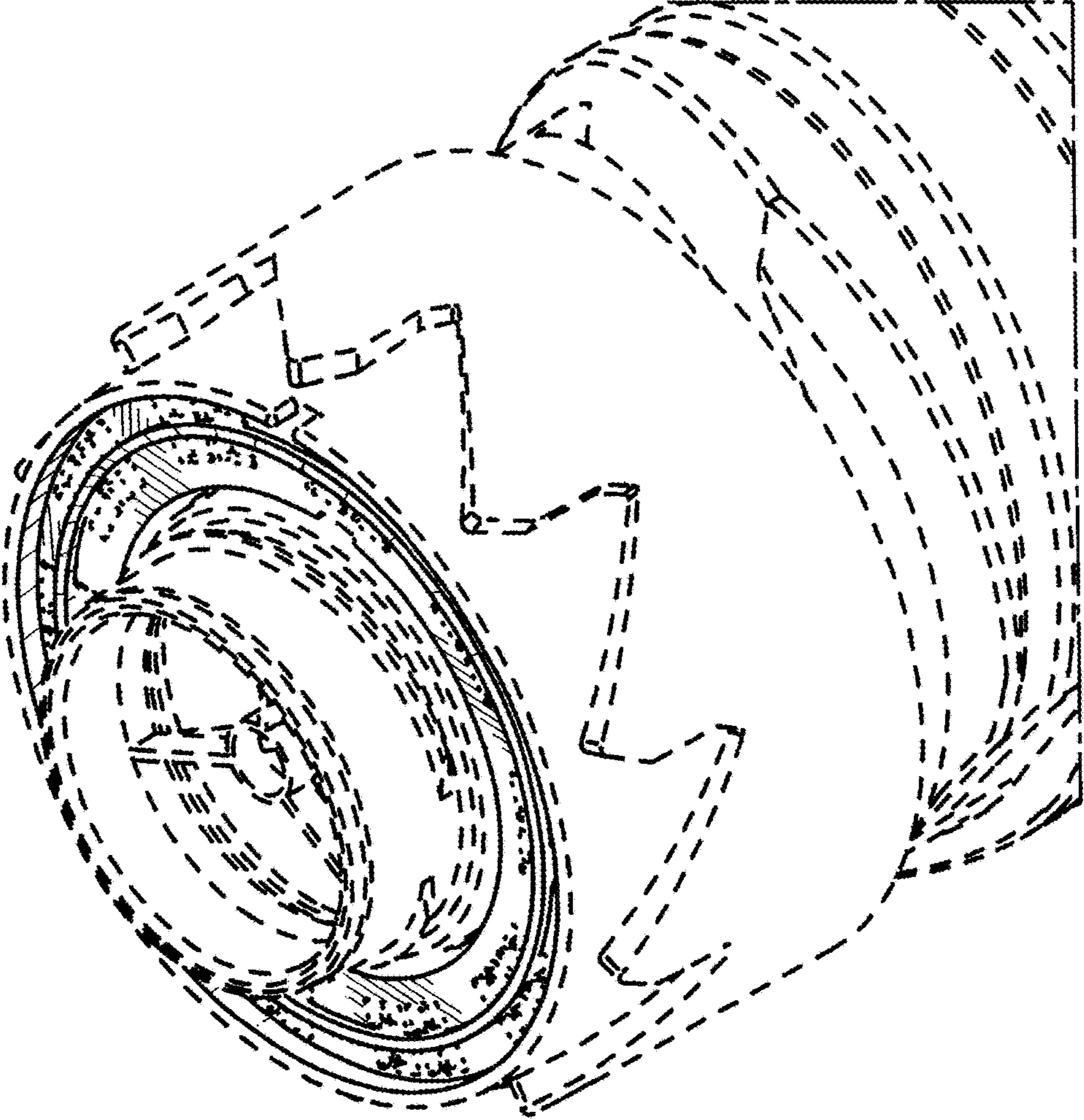


FIG. 2

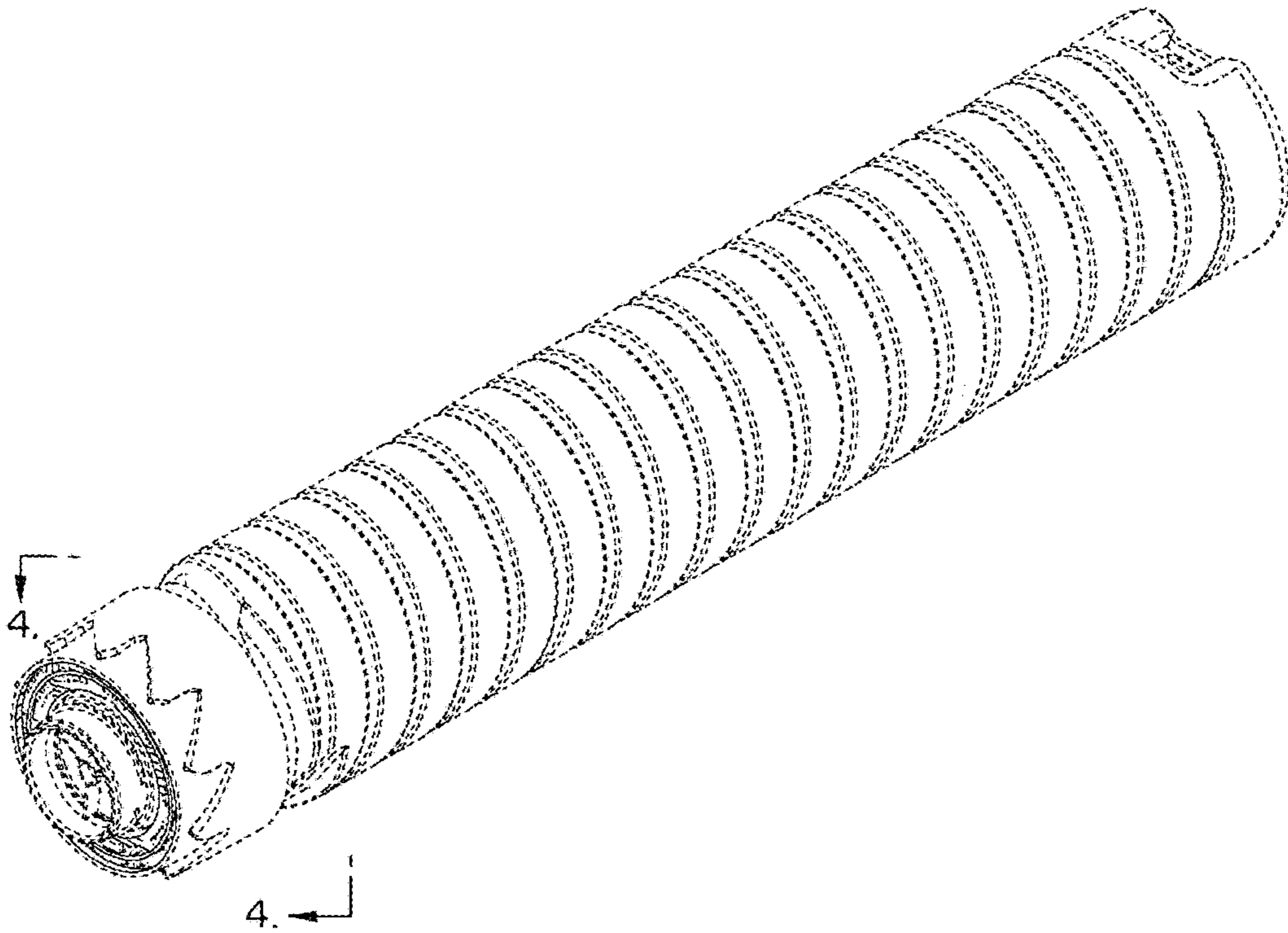


FIG. 3

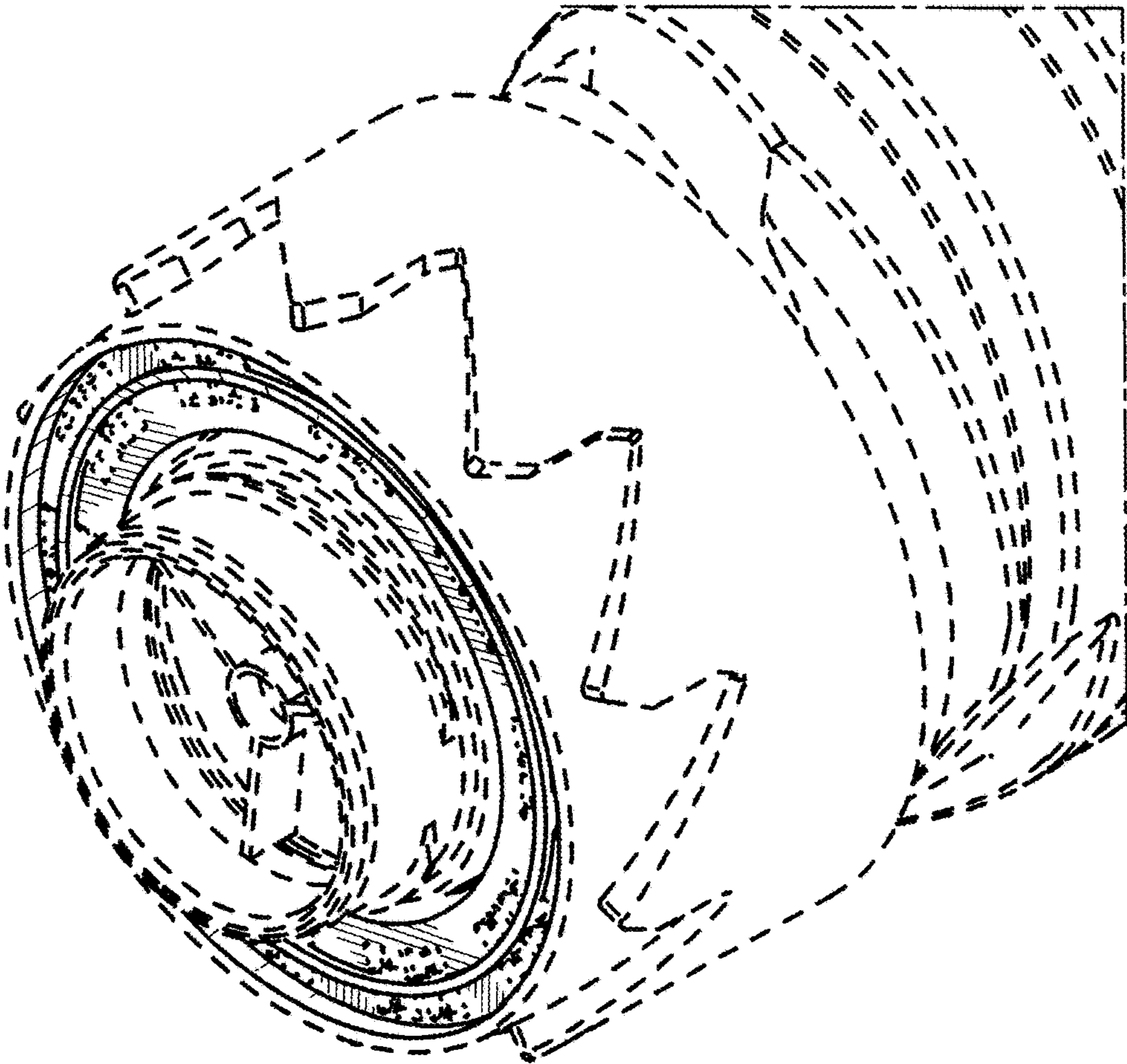


FIG. 4

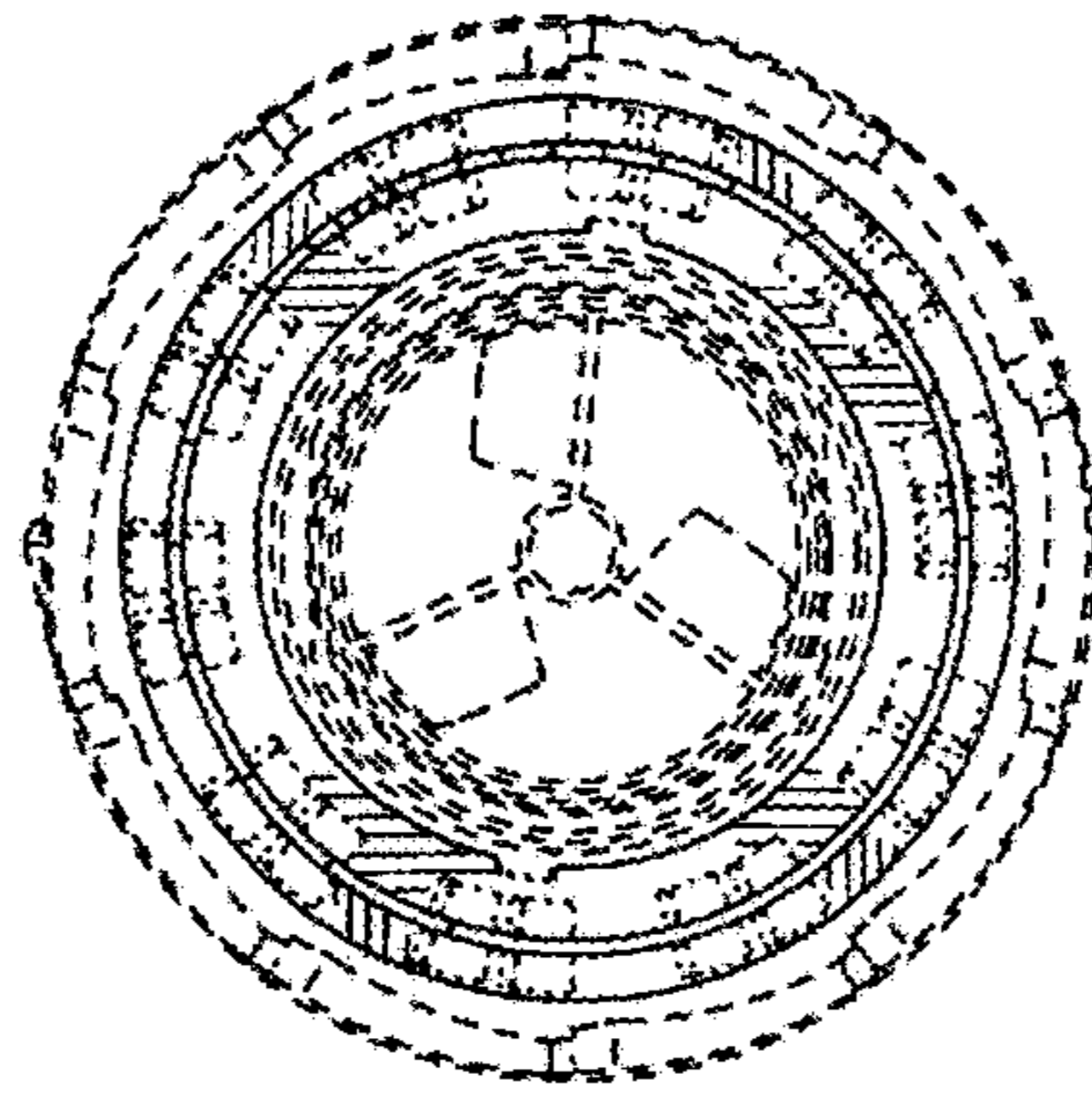


FIG. 5

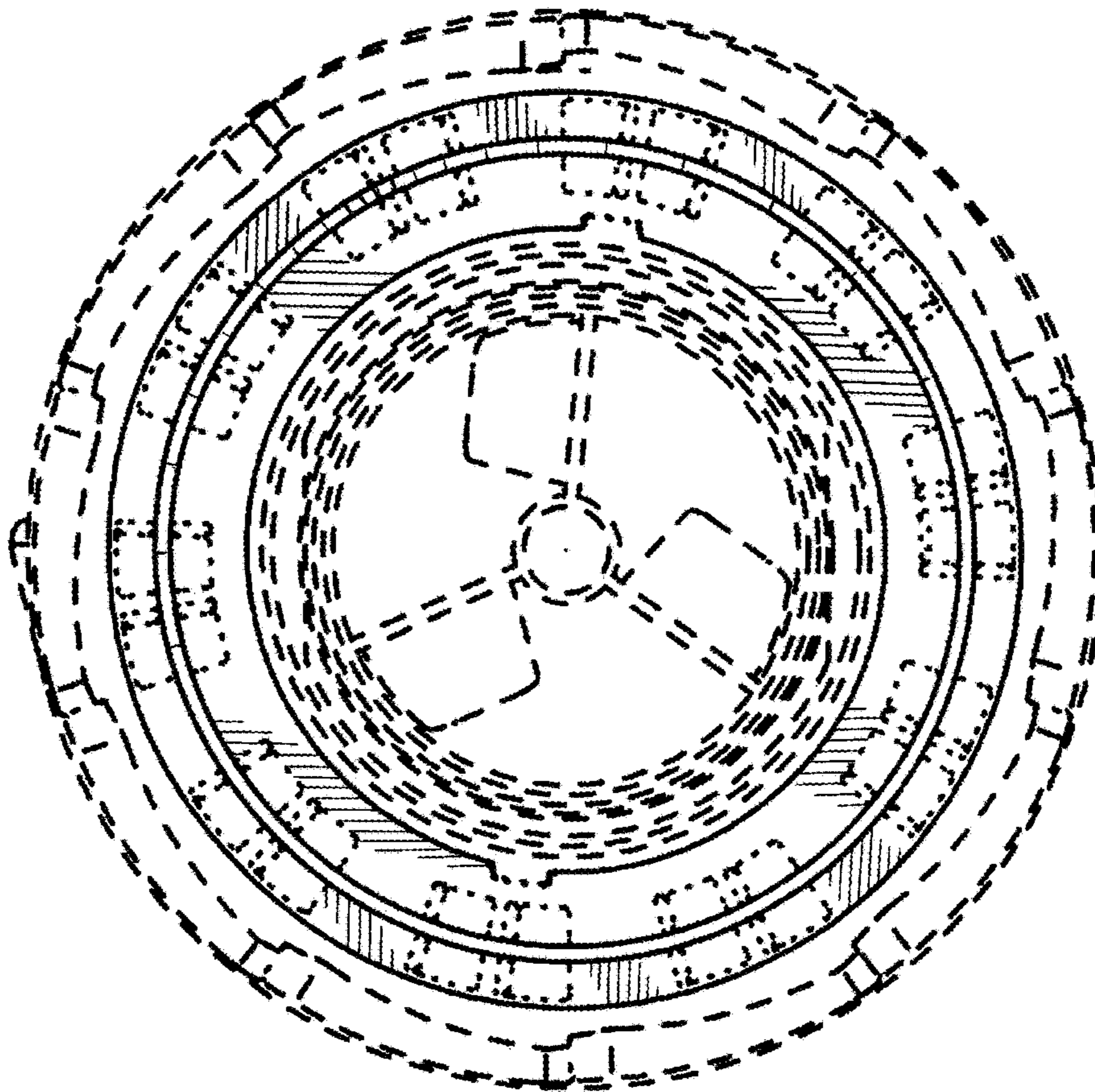


FIG. 6