



US00D781373S

(12) **United States Design Patent**
Suzuki

(10) **Patent No.:** **US D781,373 S**

(45) **Date of Patent:** **** Mar. 14, 2017**

(54) **TONER CONTAINER**

(71) Applicant: **Michiharu Suzuki**, Ohta-ku (JP)

(72) Inventor: **Michiharu Suzuki**, Ohta-ku (JP)

(73) Assignee: **RICOH COMPANY, LTD.**, Tokyo (JP)

(**) Term: **14 Years**

(21) Appl. No.: **29/514,220**

(22) Filed: **Jan. 9, 2015**

(30) **Foreign Application Priority Data**

Jul. 14, 2014 (JP) 2014-015352

(51) **LOC (10) Cl.** **16-03**

(52) **U.S. Cl.**
USPC **D18/43**

(58) **Field of Classification Search**
USPC D18/12, 18, 36, 40, 43, 44, 56; D14/230,
D14/471, 474, 475; D9/500; D8/20, 98;
D7/650, 635; D15/138, 139; 399/24-27,
399/91, 106-112, 194, 196, 197,
399/222-224, 258, 262, 411; 347/49,
347/197, 214, 222; 400/194, 196;
(Continued)

(56) **References Cited**

U.S. PATENT DOCUMENTS

2,599,921 A * 6/1952 Johnson A44B 6/00
223/1.1

D245,830 S * 9/1977 De Gross D8/18
(Continued)

Primary Examiner — Wan Laymon
Assistant Examiner — Clint A Samuel

(74) *Attorney, Agent, or Firm* — Oblon, McClelland,
Maier & Neustadt, L.L.P.

(57) **CLAIM**

The ornamental design for a toner container, as shown and described.

DESCRIPTION

FIG. 1 is a front, top, and right side perspective view of a toner container;

FIG. 2 is a detail view showing a partial enlarged front, top, and right side perspective view thereof, along lines 2-2 in FIG. 1;

FIG. 3 is a front, bottom, and right side perspective view thereof;

FIG. 4 is a detail view showing a partial enlarged front, top, and right side perspective view thereof, along lines 4-4 in FIG. 3;

FIG. 5 is a top plan view thereof;

FIG. 6 is a bottom plan view thereof;

FIG. 7 is a detail view showing a partial enlarged top plan view thereof, along lines 7-7 in FIG. 5;

FIG. 8 is a detail view showing a partial enlarged bottom plan view thereof, along lines 8-8 in FIG. 6;

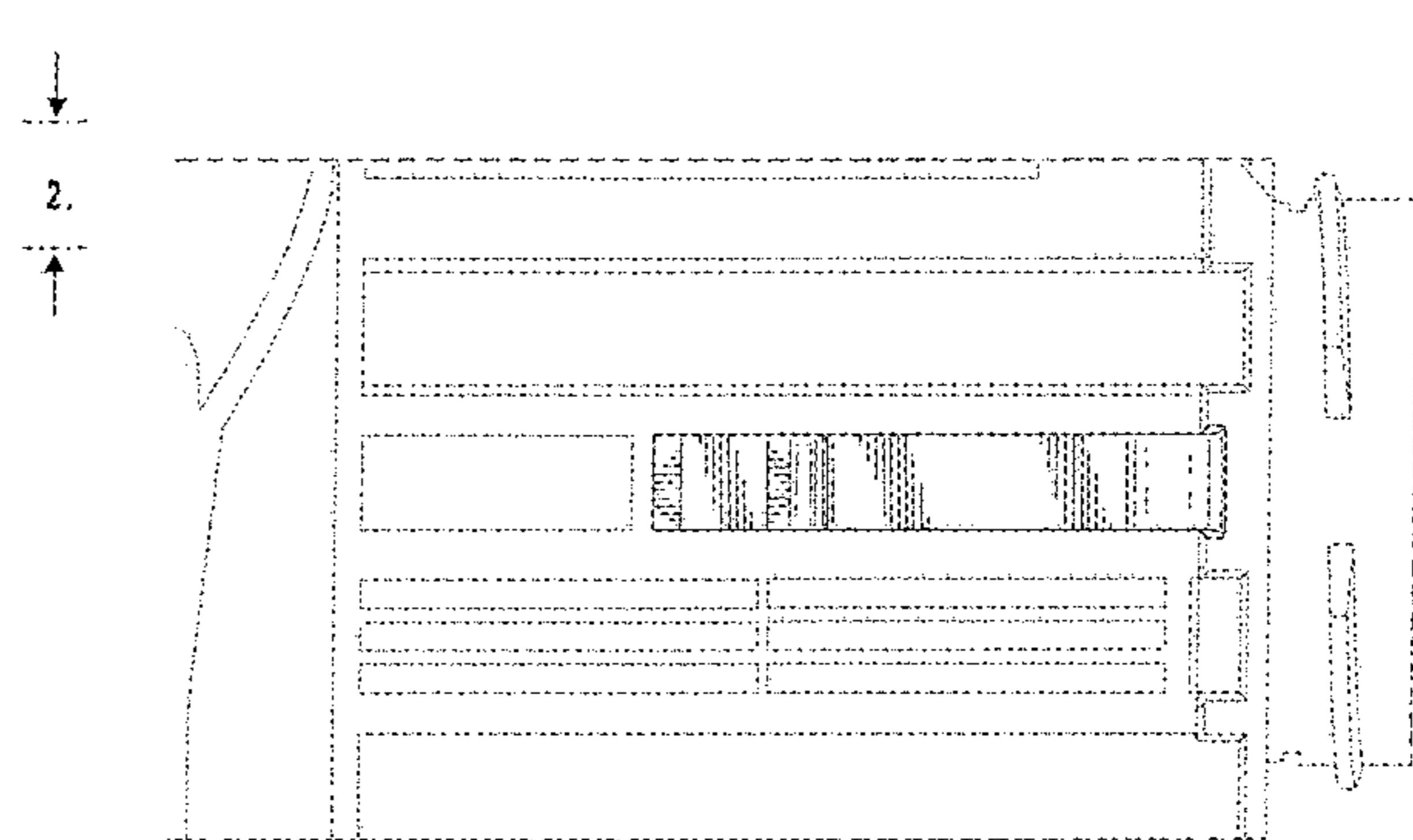
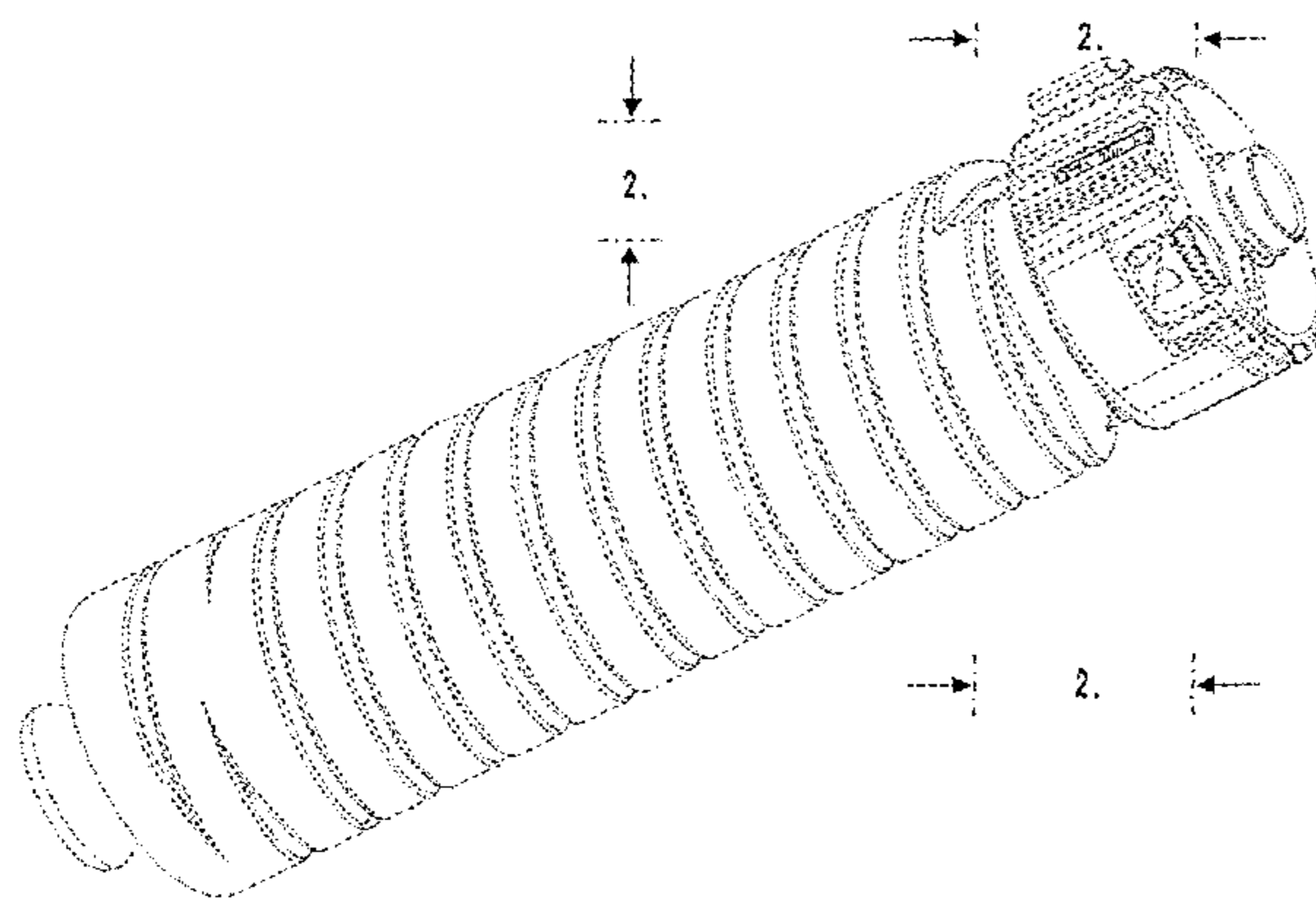
FIG. 9 is a right side elevational view thereof;

FIG. 10 is an enlarged right side elevational view thereof; and,

FIG. 11 is an isolated enlarged view of the claimed portion of the toner container.

The shorter broken lines in the drawings depict environmental subject matter only and form no part of the claimed design. The longer broken lines in FIGS. 2, 4, 7, and 8 correspond to the area defined by lines 2-2 in FIG. 1, lines 4-4 in FIG. 3, lines 7-7 in FIG. 5, and lines 8-8 in FIG. 6, respectively, and form no part of the claimed design.

1 Claim, 11 Drawing Sheets



(58) **Field of Classification Search**

USPC 408/204, 208; 30/165, 388; 137/15.14;
 299/105; 606/45; D2/639; D19/65, 86,
 D19/127, 195, 906; D11/202, 204, 207,
 D11/215, 222; D3/215; 24/66.5, 67.9;
 63/20; 215/252, 227; D16/200; D28/65;
 238/366, 367; 433/3; 132/309, 321, 324,
 132/329
 CPC G03G 15/08; G03G 15/0832; G03G
 15/0834; G03G 15/0836; G03G 15/0837;
 G03G 15/0867; G03G 15/0868; G03G
 2215/067; G03G 2215/0668; G03G
 21/1619; Y10S 222/01; B23B 51/0406;
 B23B 2260/072; B23B 2260/07; B27B
 5/12; A61C 15/02; E01B 9/06
 See application file for complete search history.

(56) **References Cited**

U.S. PATENT DOCUMENTS

5,024,381 A * 6/1991 Stafford, III E01B 9/06
 238/187
 D322,282 S * 12/1991 Mishima 401/84

5,160,085 A * 11/1992 Arnold E01B 9/06
 238/366
 D505,695 S * 5/2005 Naraoka D18/43
 D531,662 S * 11/2006 Tsuda D18/43
 D532,037 S * 11/2006 Tsuda D18/43
 D548,792 S * 8/2007 Lin D19/196
 D571,394 S * 6/2008 Lin D18/43
 D574,040 S * 7/2008 Lin D19/197
 D591,336 S * 4/2009 Kurenuma D18/43
 D596,225 S * 7/2009 Kurenuma D18/43
 D598,490 S * 8/2009 Kurenuma D18/43
 D599,845 S * 9/2009 Kurenuma D18/43
 D600,275 S * 9/2009 Kurenuma D18/43
 D602,985 S * 10/2009 Yoshizawa D18/43
 D607,044 S * 12/2009 Kurenuma D18/43
 D607,045 S * 12/2009 Kurenuma D18/43
 D620,523 S * 7/2010 Yoshida D18/43
 D622,311 S * 8/2010 Yoshida D18/43
 D622,312 S * 8/2010 Yoshida D18/43
 D622,759 S * 8/2010 Yoshida D18/43
 D697,132 S * 1/2014 Kawaguchi D18/43
 D707,751 S * 6/2014 Wakimoto D18/43
 D736,850 S * 8/2015 Kikuchi D18/43
 D753,216 S * 4/2016 Kikuchi D18/43

* cited by examiner

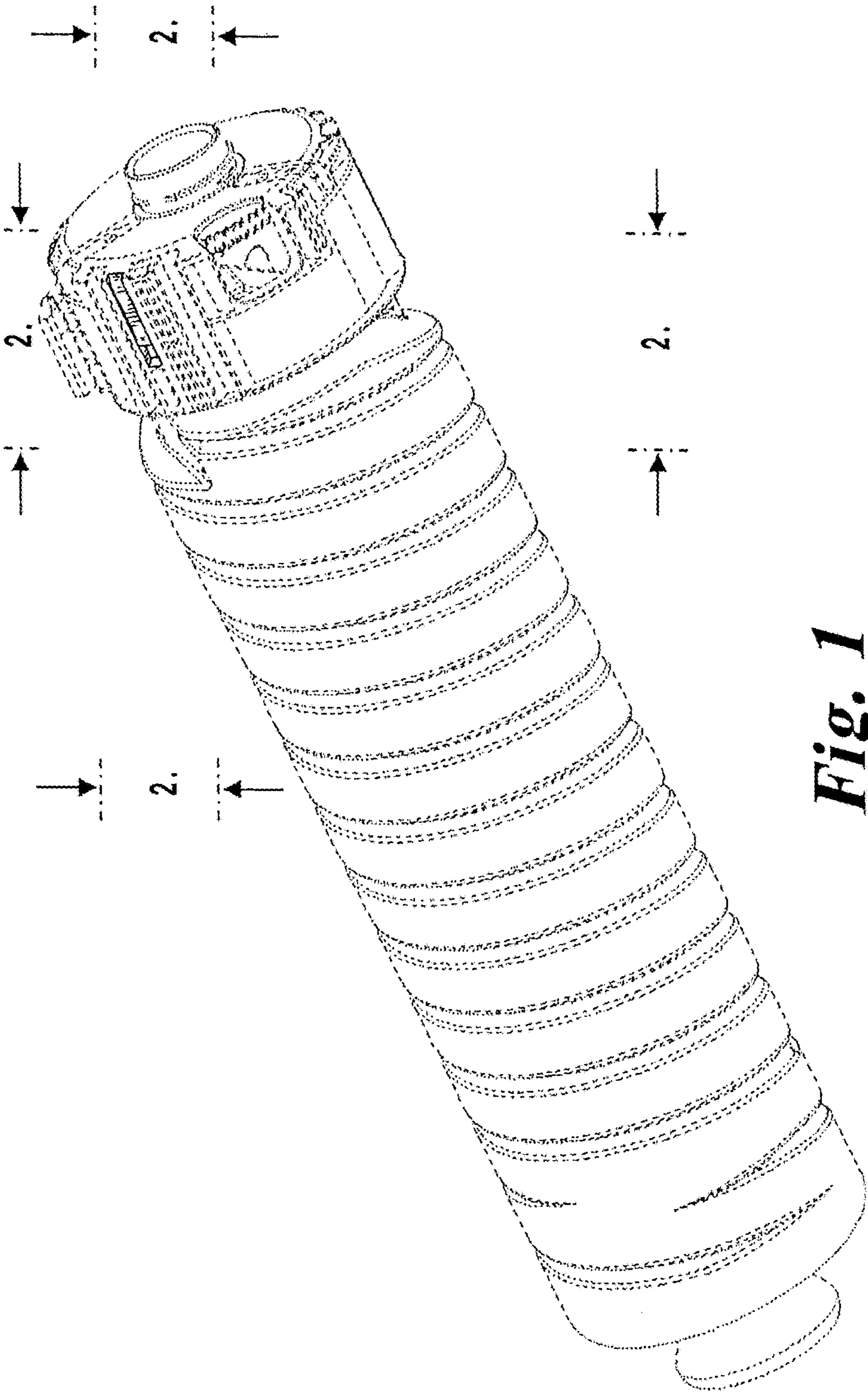


Fig. 1

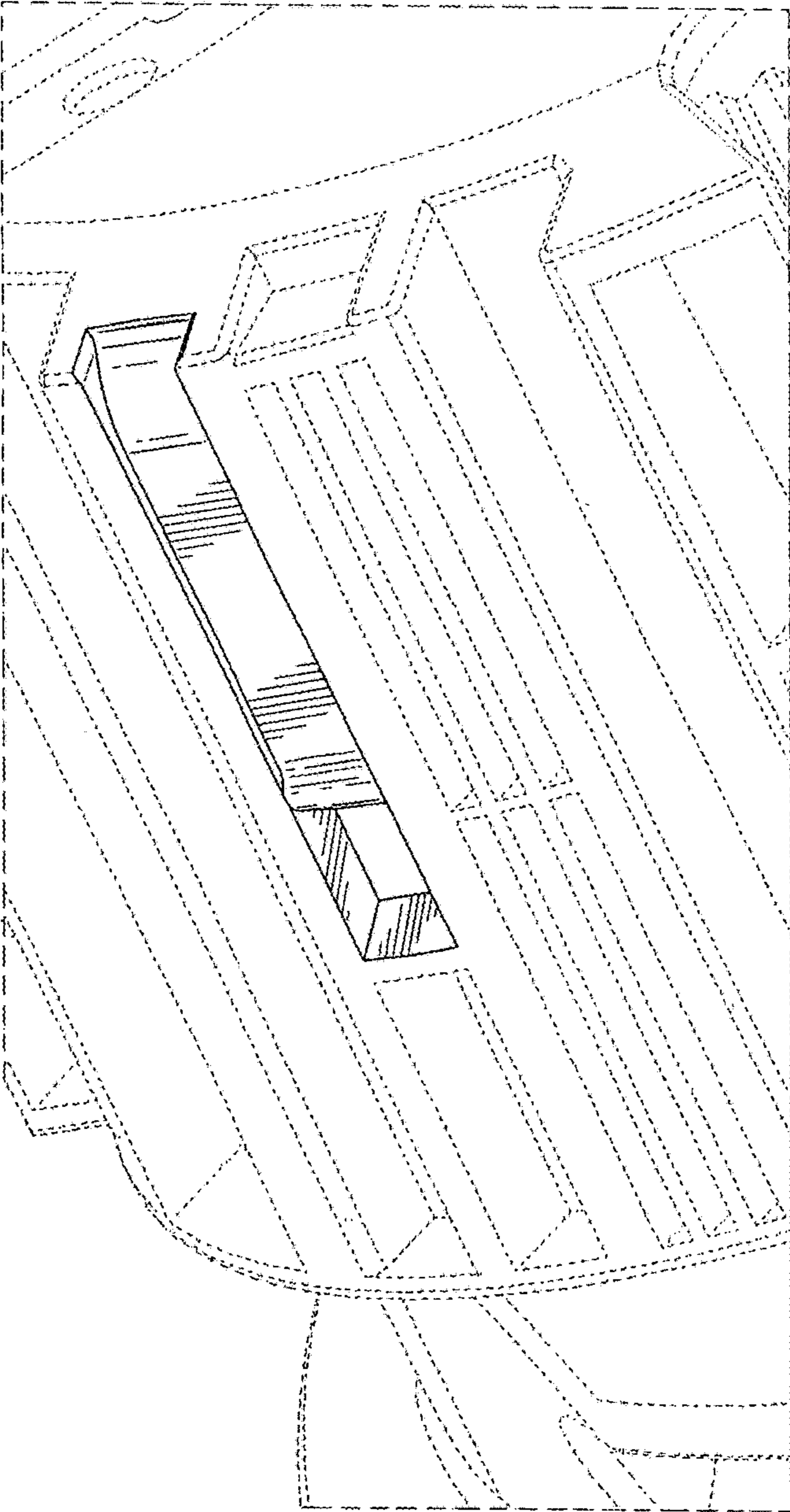


Fig. 2

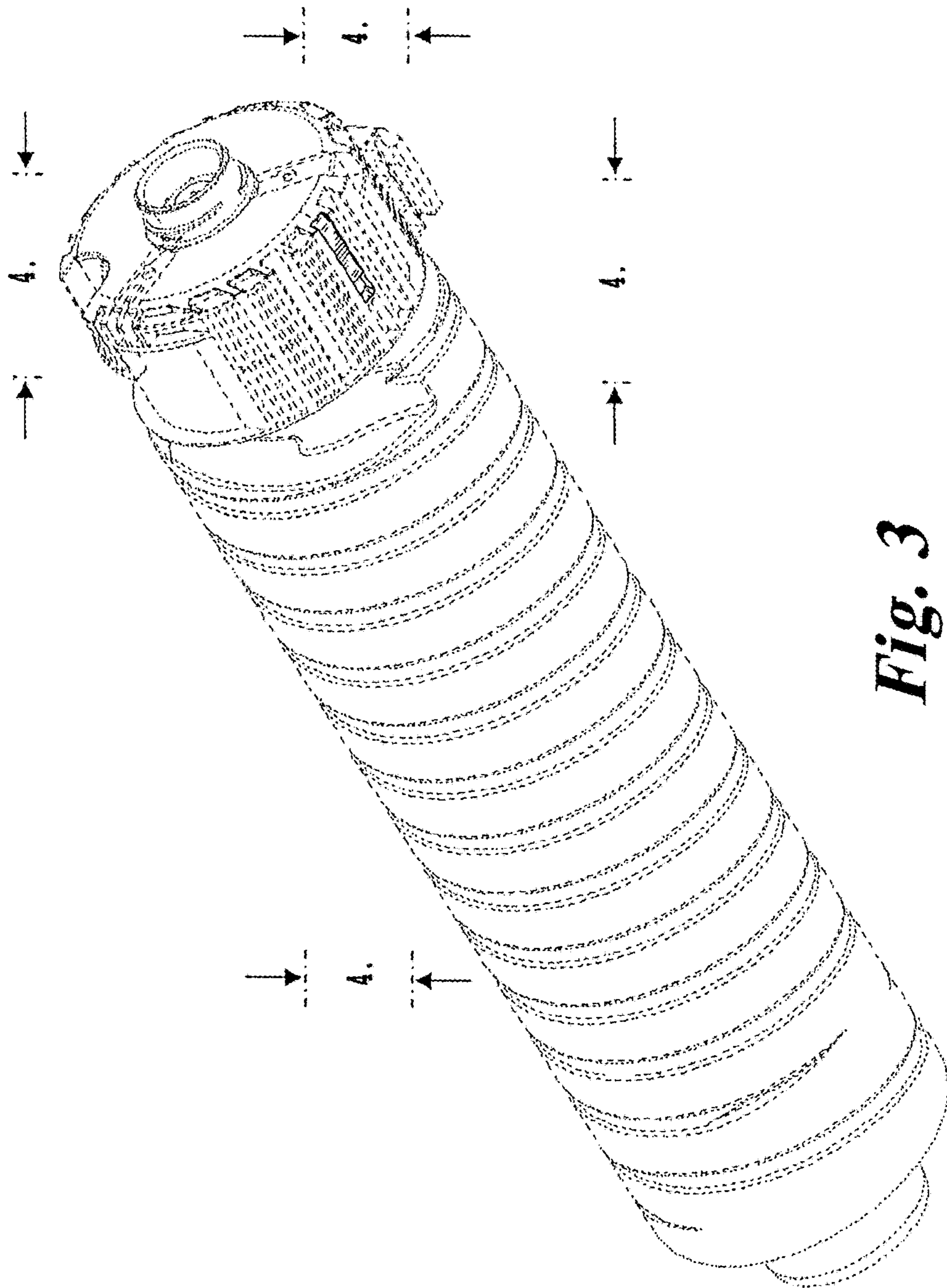


Fig. 3

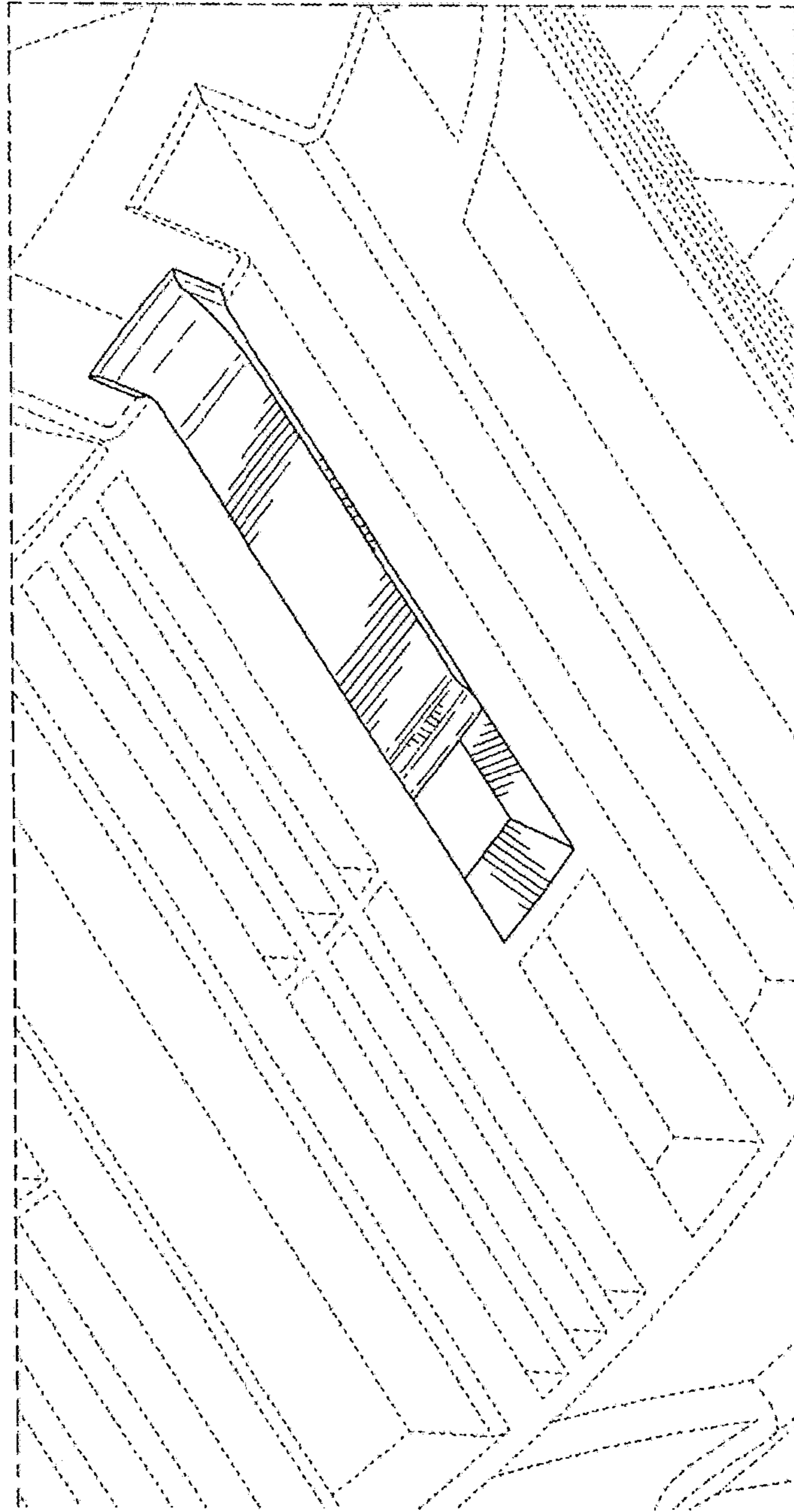


Fig. 4

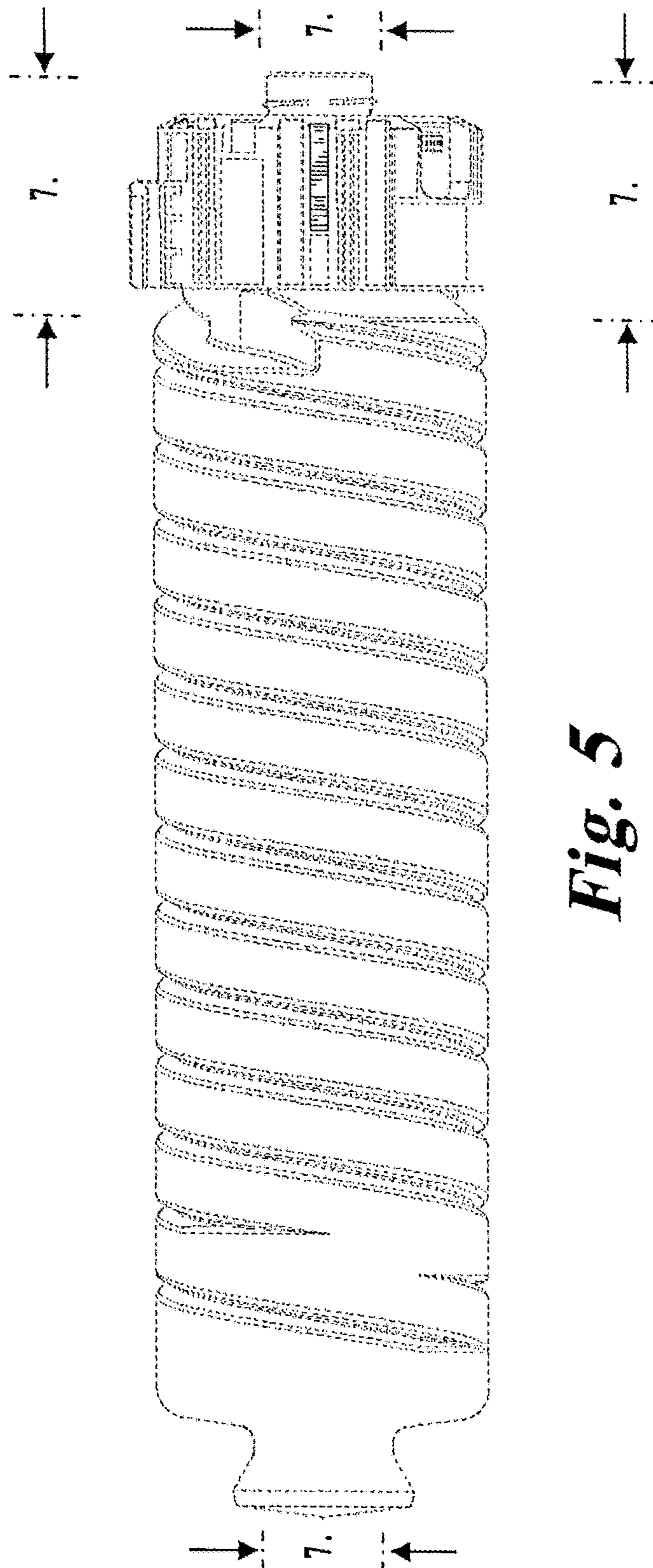


Fig. 5

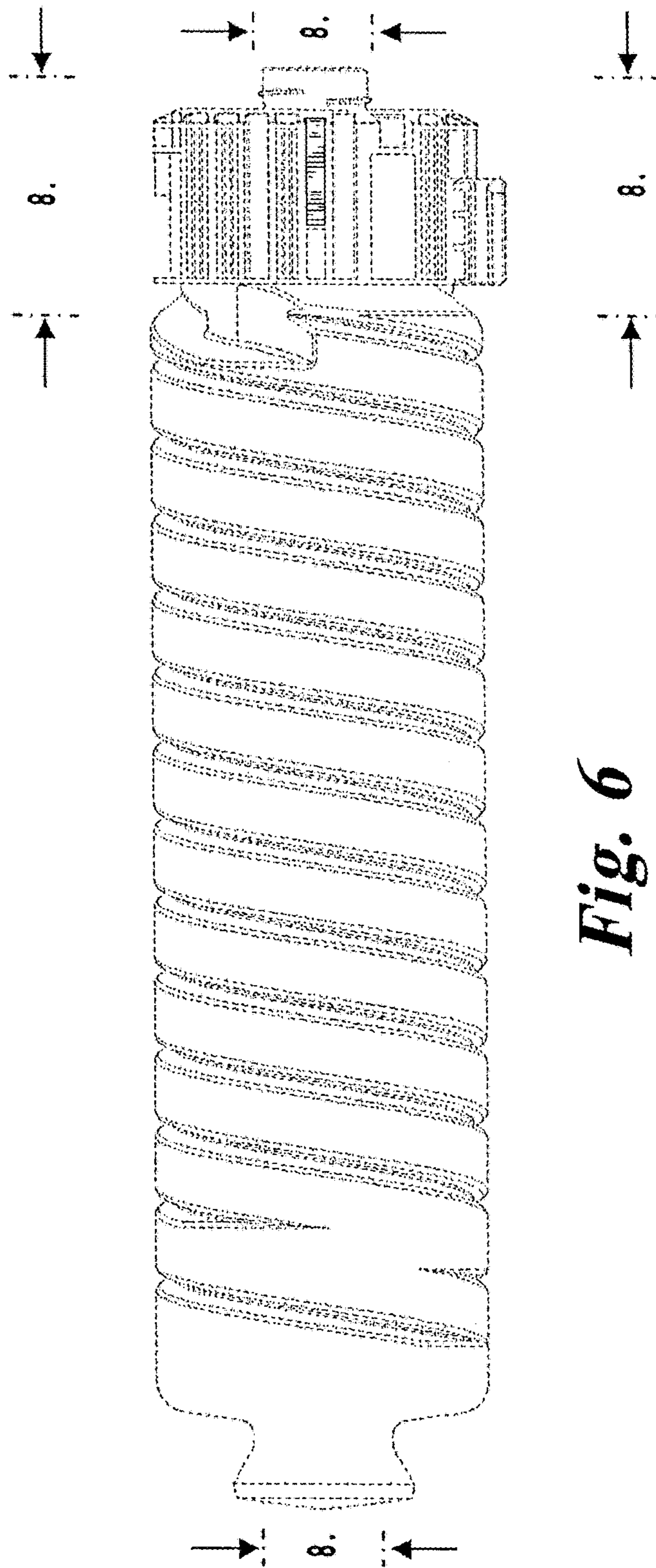


Fig. 6

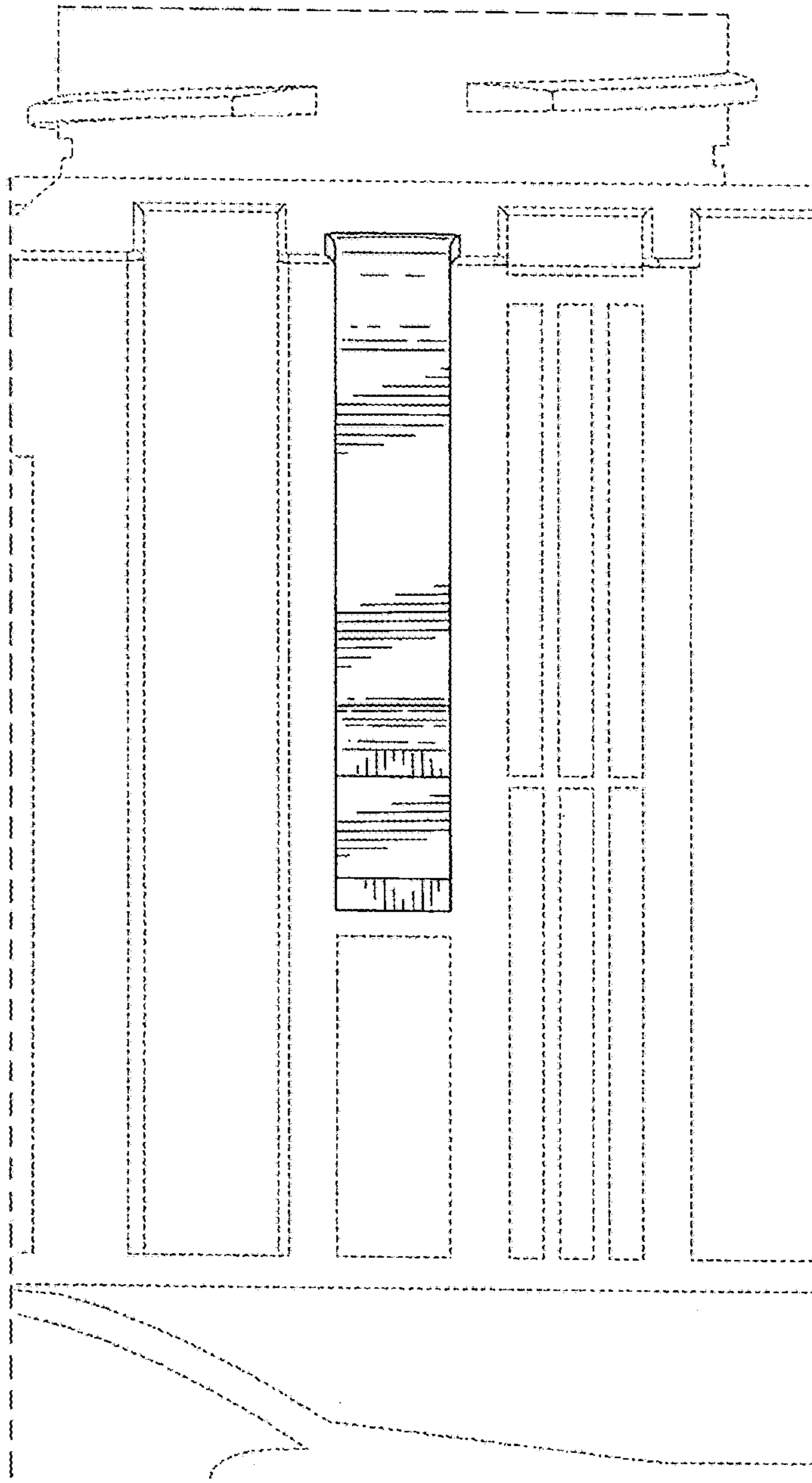


Fig. 7

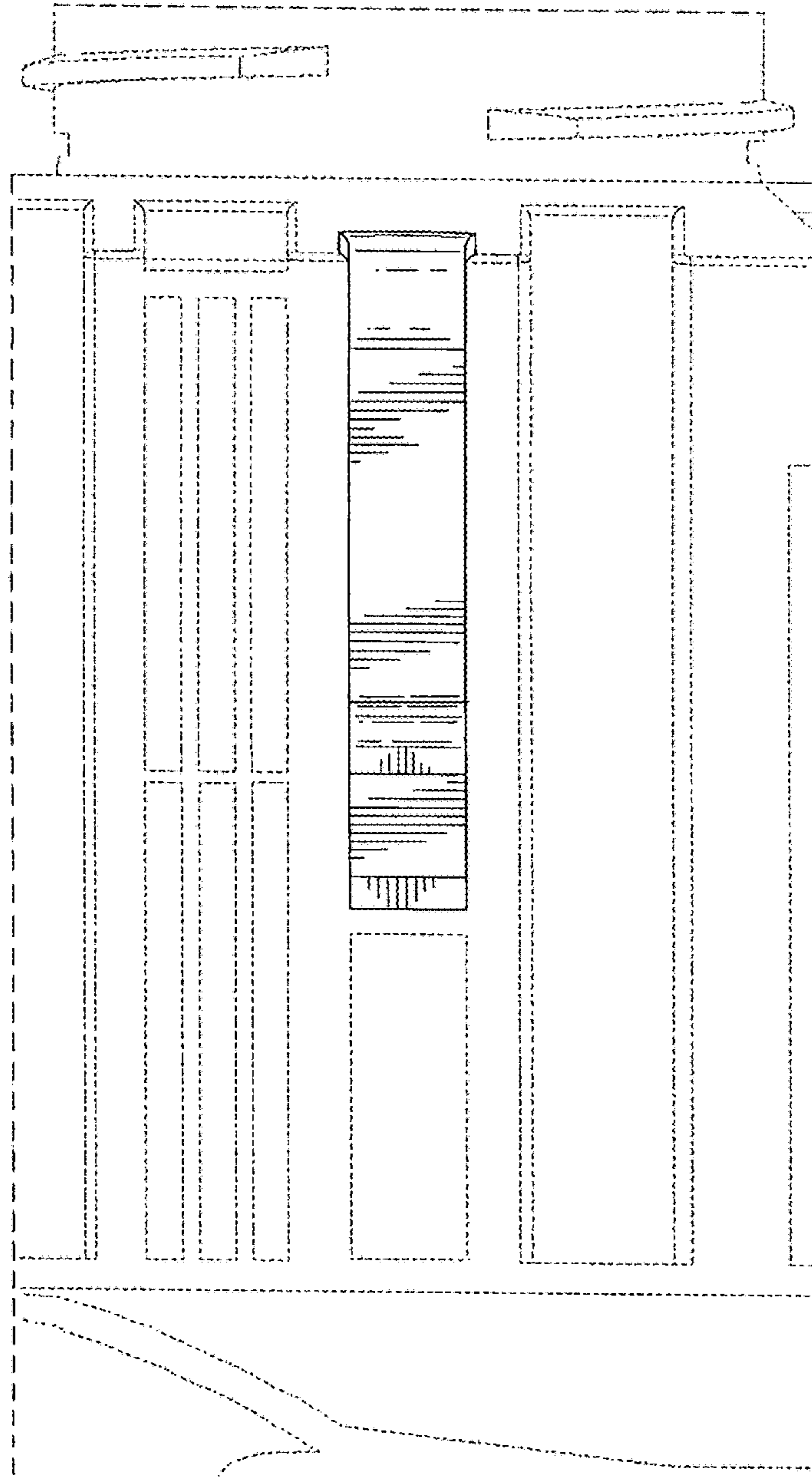


Fig. 8

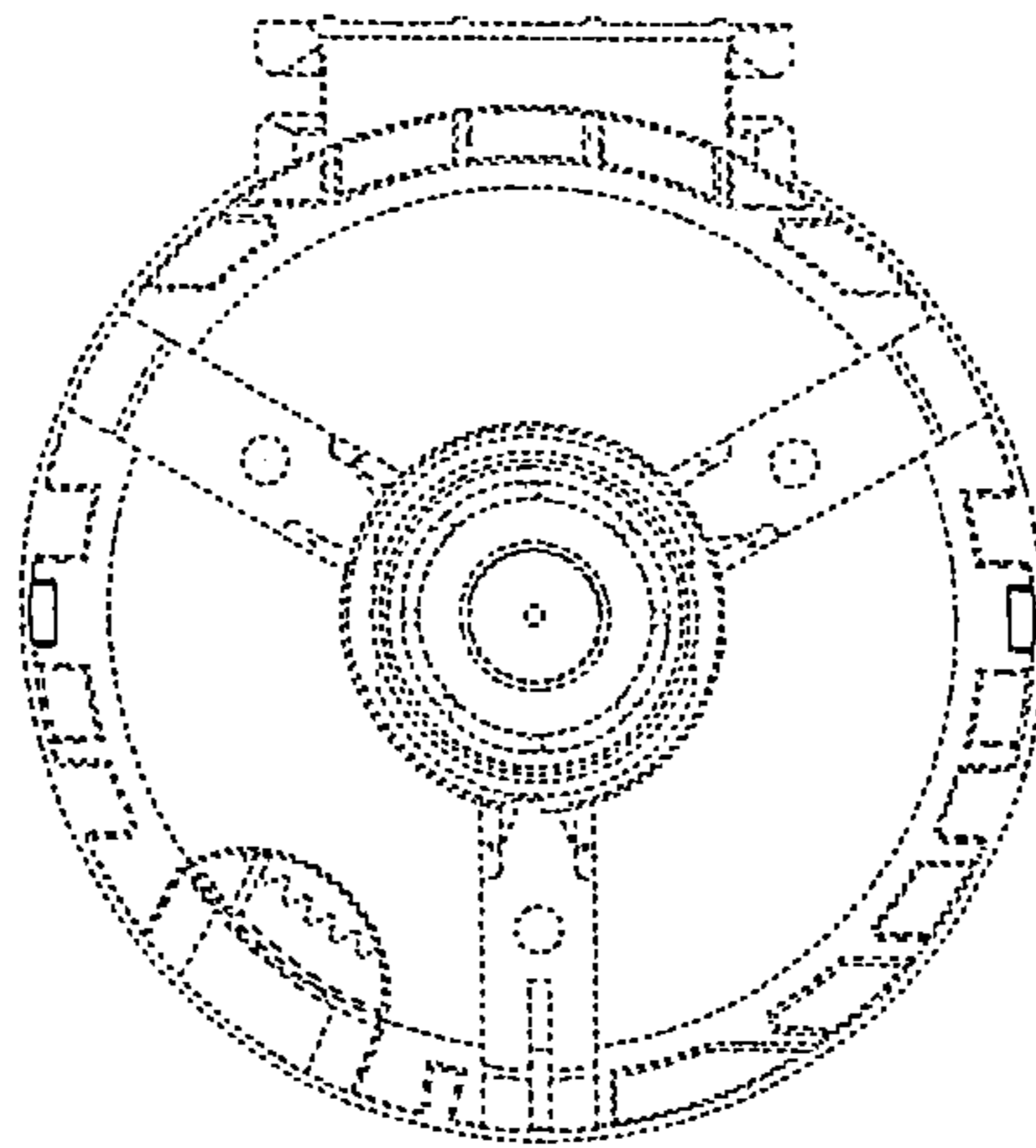


Fig. 9

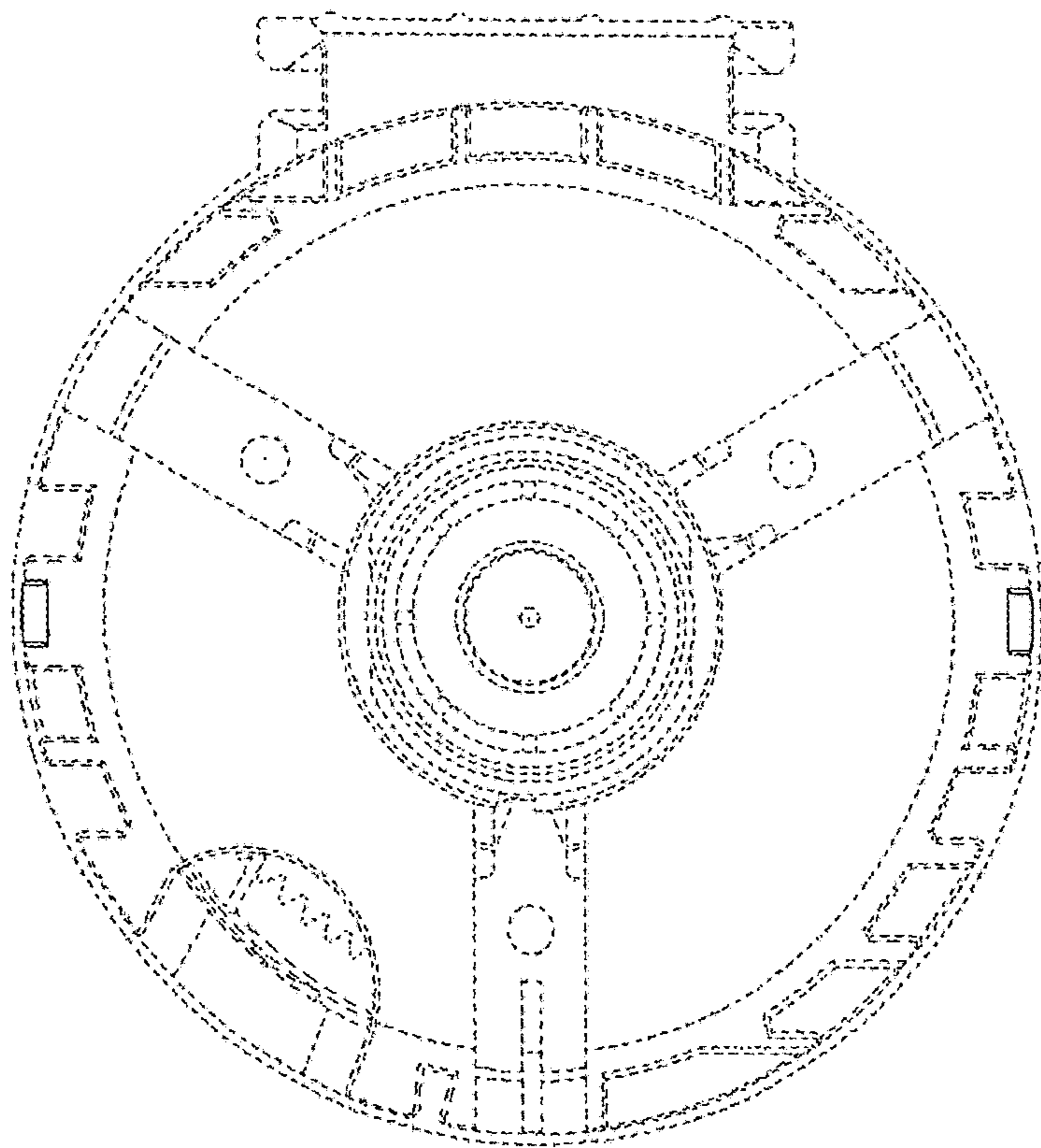


Fig. 10

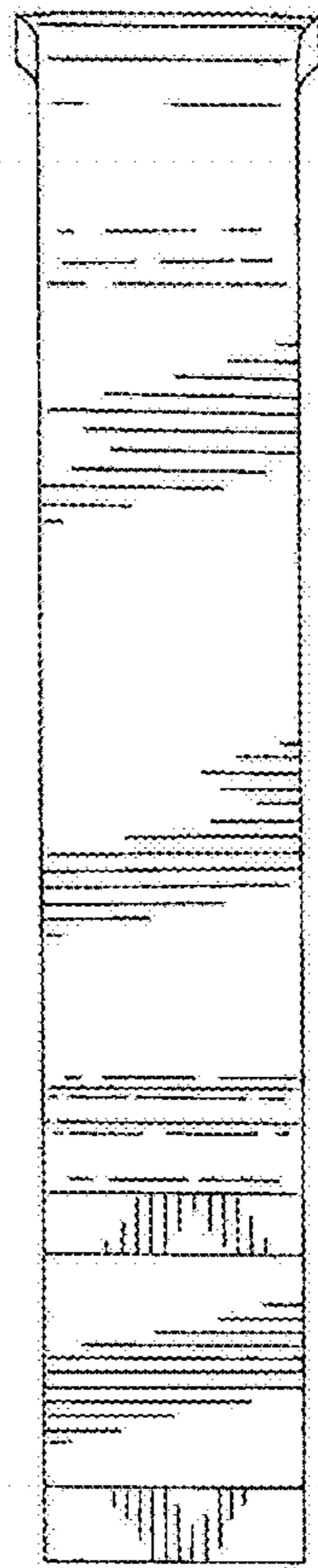


Fig. 11