



US00D781372S

(12) **United States Design Patent** (10) **Patent No.:** **US D781,372 S**
Floersch et al. (45) **Date of Patent:** **** Mar. 14, 2017**

- (54) **PAYMENT TERMINAL STAND**
- (71) Applicant: **Engineered Network Systems**,
Burnsville, MN (US)
- (72) Inventors: **Peter J. Floersch**, Lakeville, MN (US);
Stephen Nistler, Rosemount, MN (US);
Arron McLaughlin, St. Paul, MN (US)
- (73) Assignee: **ENGINEERED NETWORK SYSTEMS, LLC**, Burnsville, MN (US)
- (**) Term: **15 Years**
- (21) Appl. No.: **29/527,858**
- (22) Filed: **May 22, 2015**
- (51) **LOC (10) Cl.** **18-01**
- (52) **U.S. Cl.**
USPC **D18/12; D14/447**
- (58) **Field of Classification Search**
USPC D18/12, 4.3, 4.4, 4.5, 4.6, 99; D14/434,
D14/447, 451, 251, 307; D13/107, 108;
D6/672
CPC G07G 1/00; G07G 1/0018; G07G 1/01;
G07G 1/12; F16M 11/06; F16M 11/08;
F16M 11/10; F16M 11/2014
See application file for complete search history.

(56) **References Cited**
U.S. PATENT DOCUMENTS

4,687,167 A	8/1987	Skalka
5,088,676 A	2/1992	Orchard et al.
5,335,142 A	8/1994	Anderson
5,697,588 A	12/1997	Gonzalez
5,842,672 A	12/1998	Sweere et al.
5,947,429 A	9/1999	Sweere et al.
5,992,809 A	11/1999	Sweere et al.
6,012,693 A	1/2000	Voller et al.
6,015,120 A	1/2000	Sweere et al.

6,019,332 A	2/2000	Sweere et al.	
D442,966 S *	5/2001	Cabric	D14/447
6,299,117 B1	10/2001	Lin	
D454,136 S *	3/2002	Deuschle	D14/447
D456,415 S *	4/2002	Deuschle	D14/447
6,419,196 B1	7/2002	Sweere et al.	
6,510,049 B2	1/2003	Rosen	

(Continued)

Primary Examiner — Susan Bennett Hattan
Assistant Examiner — Marie Fast Horse
(74) *Attorney, Agent, or Firm* — Haugen Law Firm PLLP

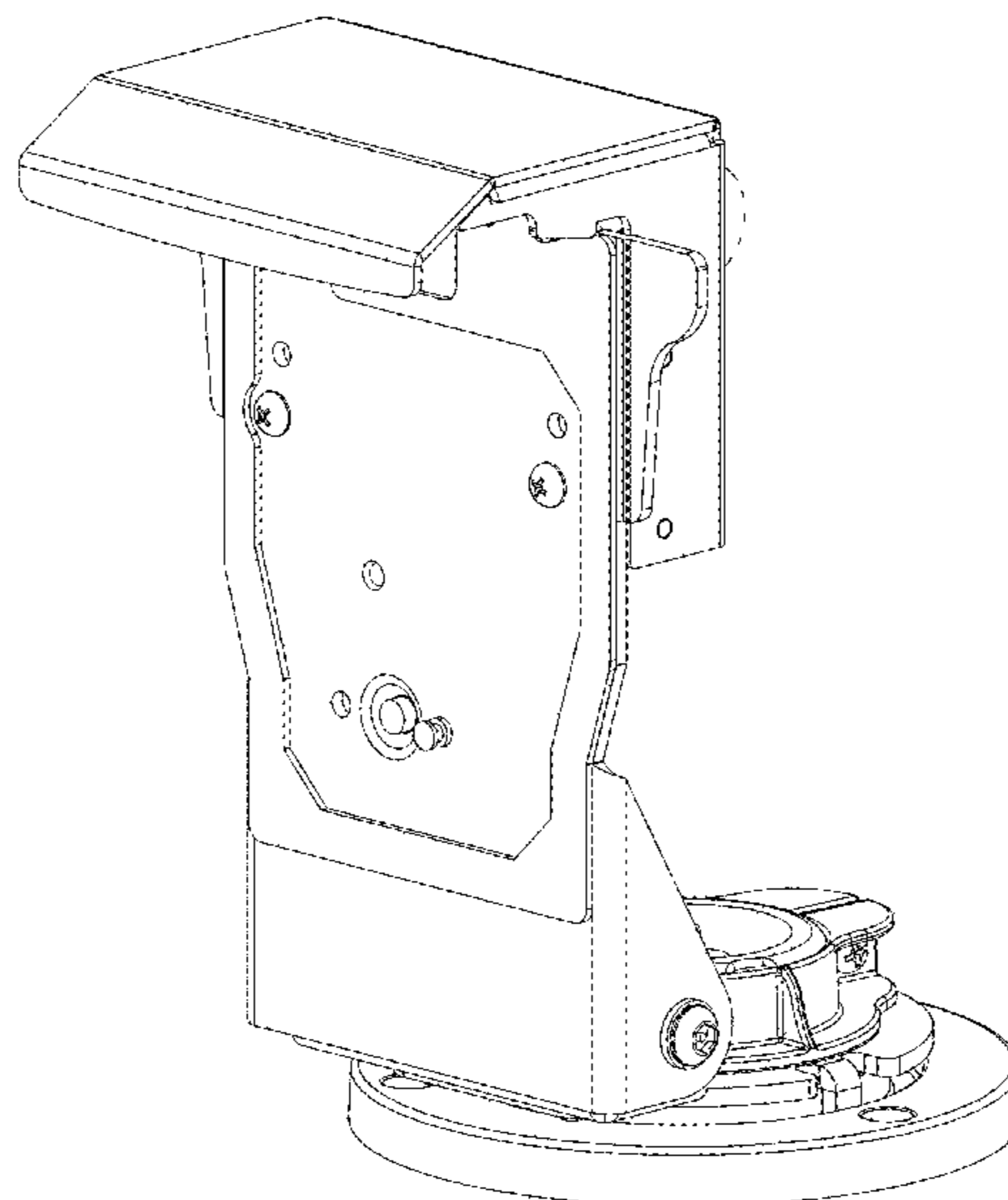
(57) **CLAIM**

The ornamental design for a payment terminal stand, as shown and described.

DESCRIPTION

FIG. 1 is a front, right top perspective view of the payment terminal stand of the present invention;
FIG. 2 is a front, left bottom perspective view of the payment terminal stand of the present invention;
FIG. 3 is a back, left top perspective view of the stump watering tank of the present invention;
FIG. 4 is a front view of the payment terminal stand of the present invention;
FIG. 5 is a back view of the payment terminal stand of the present invention;
FIG. 6 is a left side view of the payment terminal stand of the present invention;
FIG. 7 is a right side view of the payment terminal stand of the present invention;
FIG. 8 is a top plan view of the payment terminal stand of the present invention; and,
FIG. 9 is a bottom plan view of the payment terminal stand of the present invention.
The portions of the lock, key, and key hole shown in broken lines in FIGS. 1, 3, and 5-7 form no part of the claimed design.

1 Claim, 9 Drawing Sheets



(56)

References Cited

U.S. PATENT DOCUMENTS

6,601,810	B2	8/2003	Lee	
6,609,272	B1	8/2003	Lee	
D487,094	S *	2/2004	Serbinski	D14/451
D487,270	S *	3/2004	Richter	D14/447
6,876,545	B2	4/2005	Tseng et al.	
D505,134	S *	5/2005	Serbinski	D14/451
D547,755	S *	7/2007	Wang	D14/239
D563,693	S *	3/2008	Calleja	D6/682
7,434,774	B1 *	10/2008	Floersch	F16M 11/08 248/183.1
D693,607	S *	11/2013	Johnson	D6/672
D727,329	S *	4/2015	Johnson	D14/434
2010/0102191	A1 *	4/2010	Wang	F16M 11/06 248/372.1
2012/0286040	A1 *	11/2012	Ko	G07G 1/0018 235/383
2012/0287594	A1 *	11/2012	Ko	G07G 1/12 361/809
2013/0155595	A1 *	6/2013	Herring	G07G 1/0018 361/679.21
2013/0320177	A1 *	12/2013	Chen	F16M 11/10 248/371
2014/0146443	A1 *	5/2014	Kuo	F16M 11/10 361/679.01
2014/0279116	A1 *	9/2014	Vasquez	G07G 1/0018 705/21
2015/0286252	A1 *	10/2015	Barone	G06F 13/4081 710/304
2015/0292669	A1 *	10/2015	Floersch	G06F 1/1626 248/553

* cited by examiner

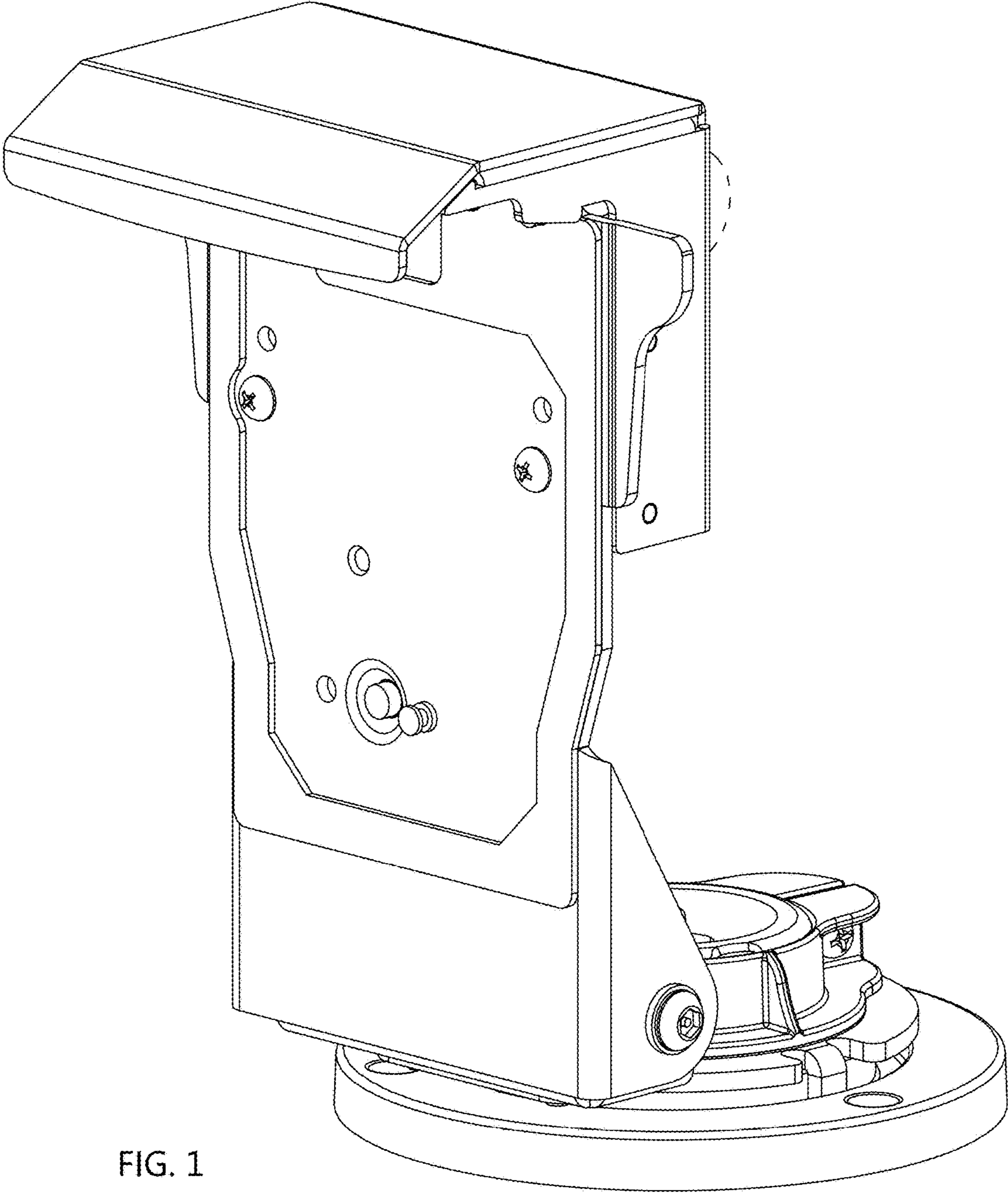


FIG. 1

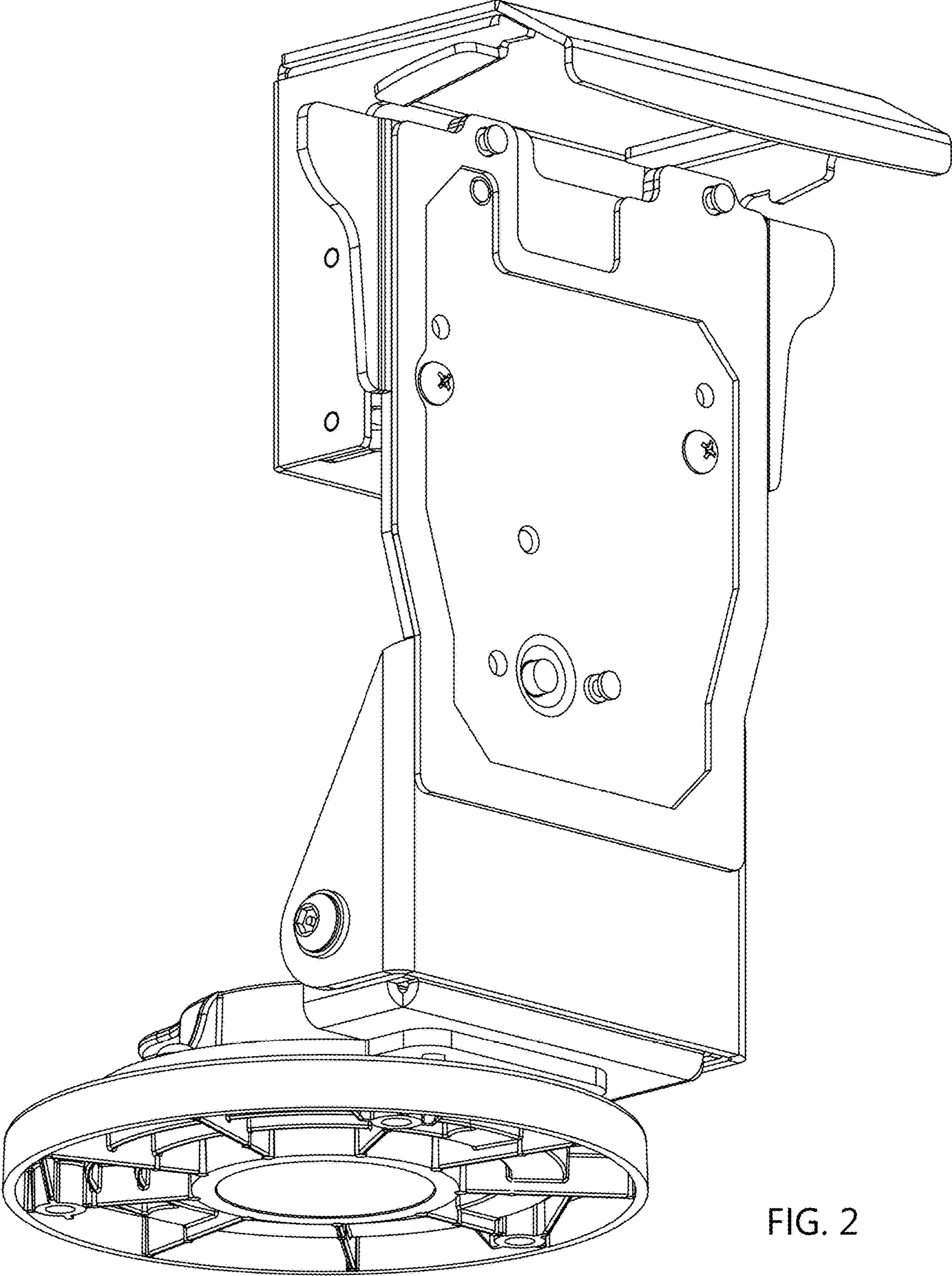


FIG. 2

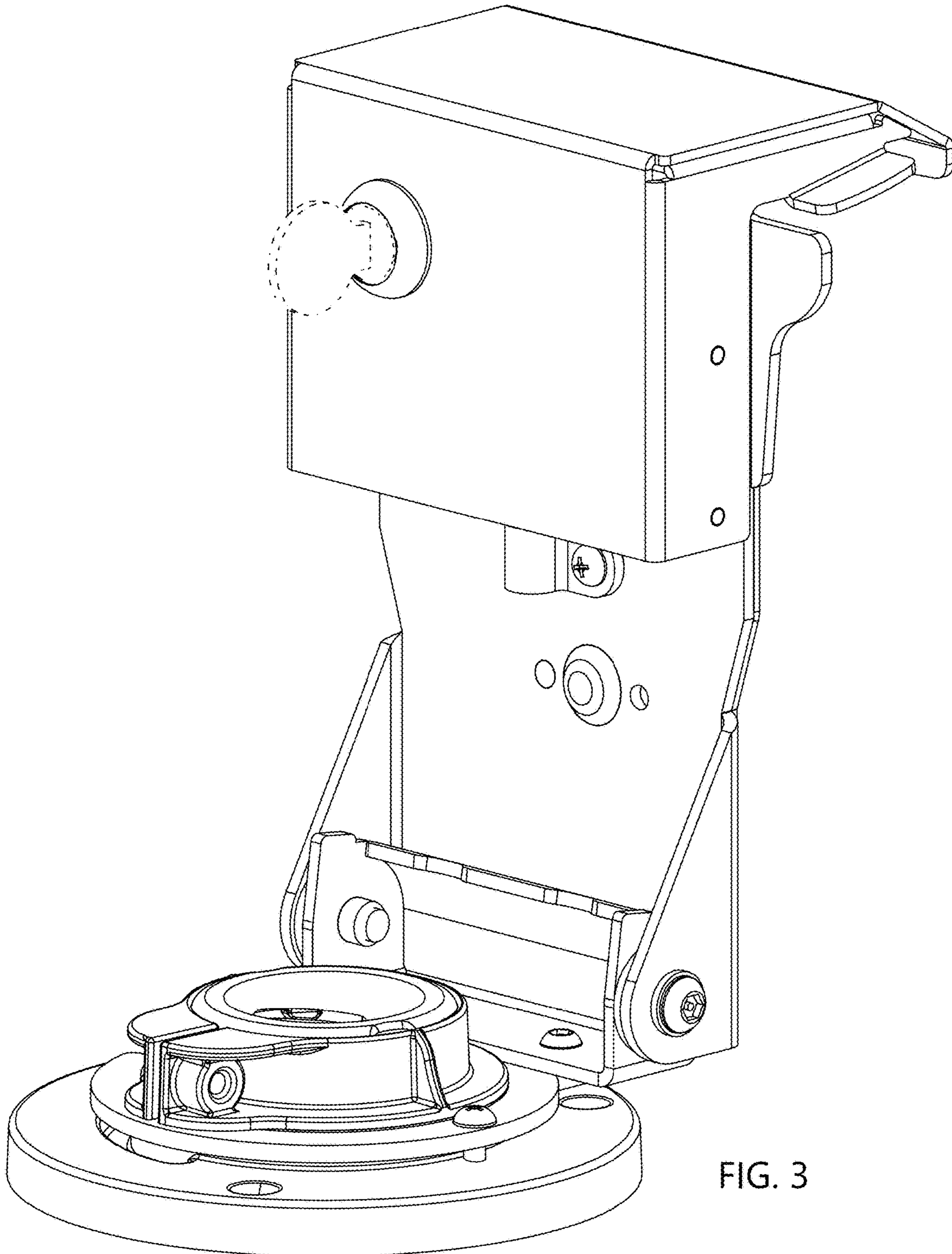


FIG. 3

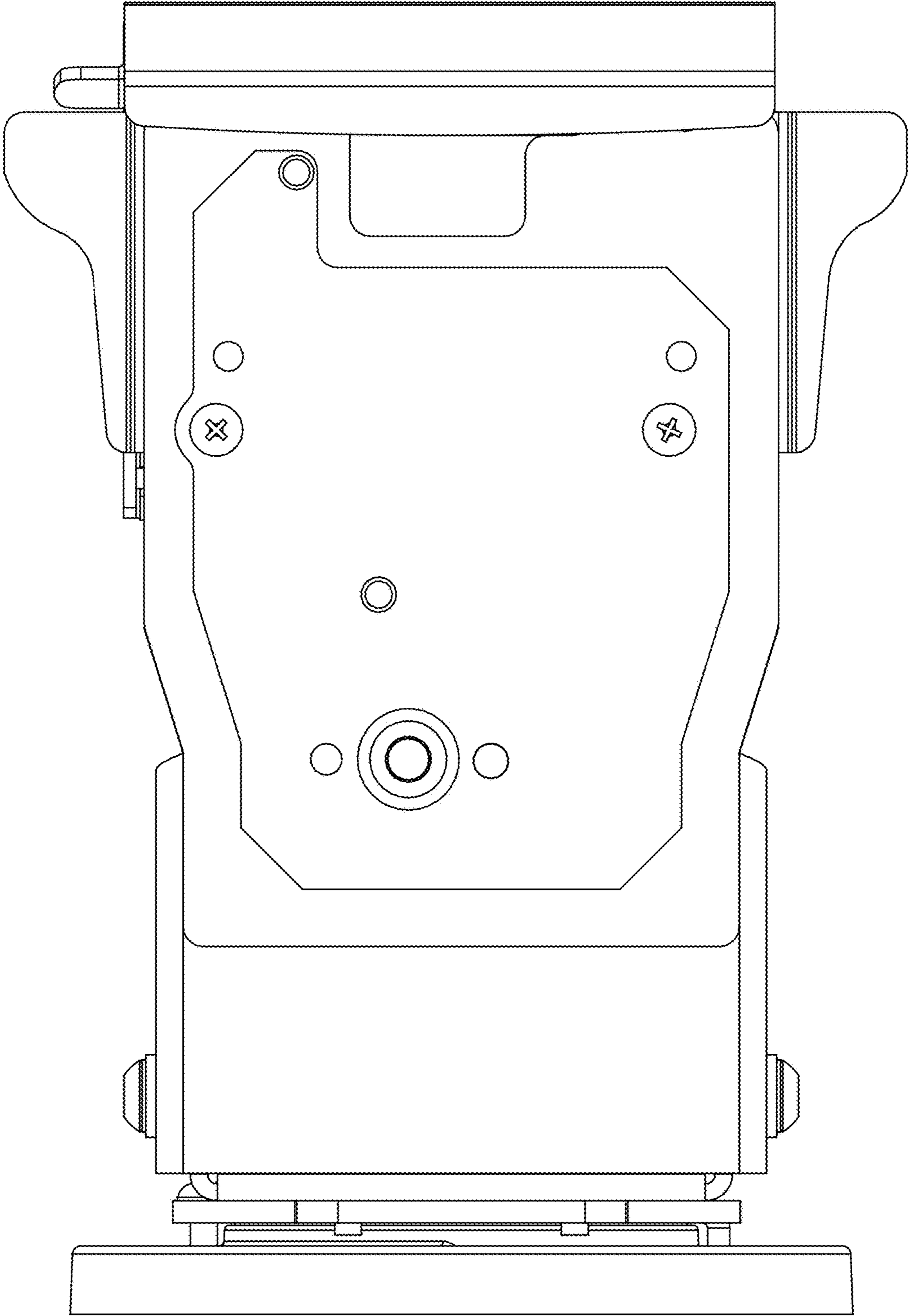


FIG. 4

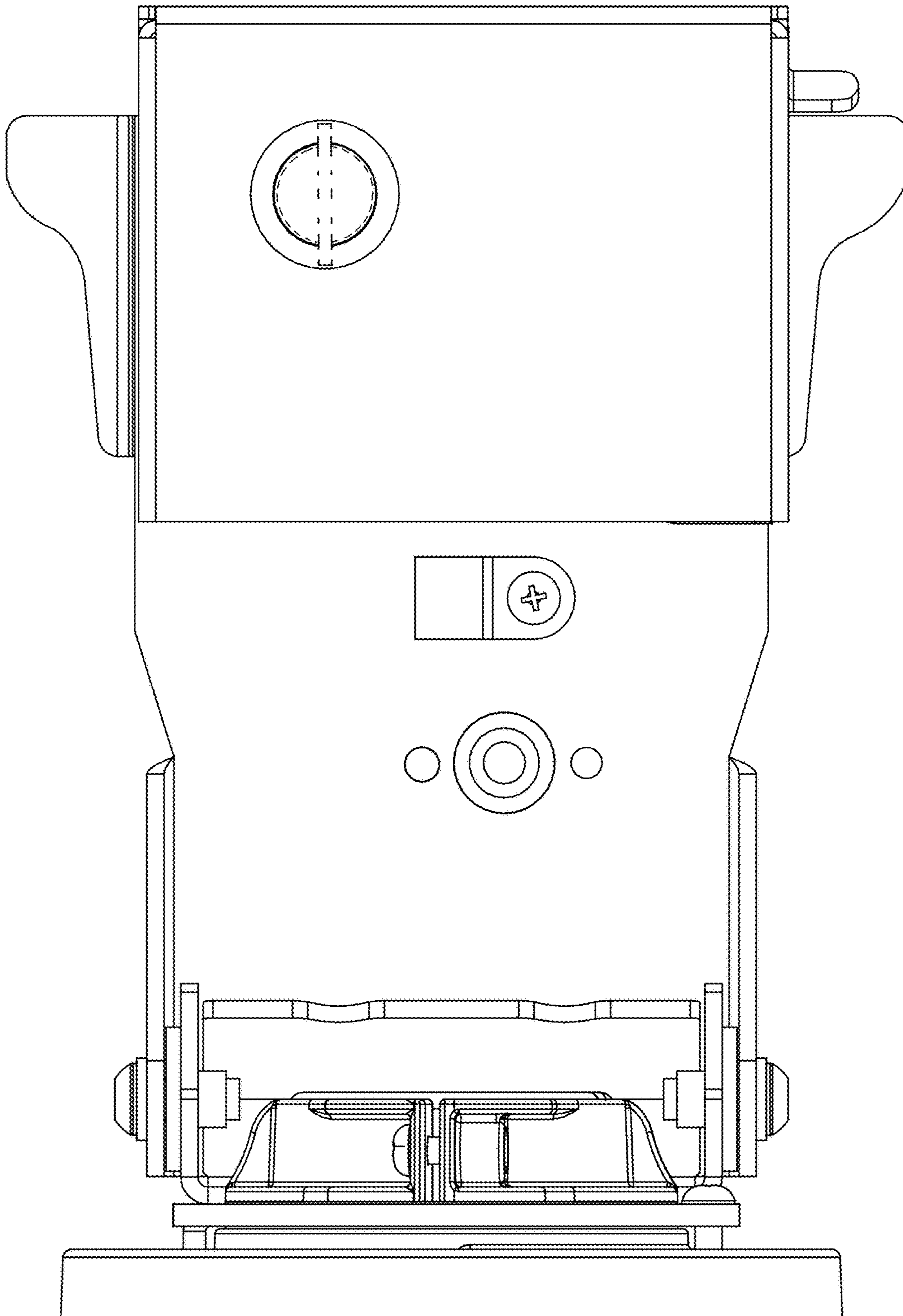


FIG. 5

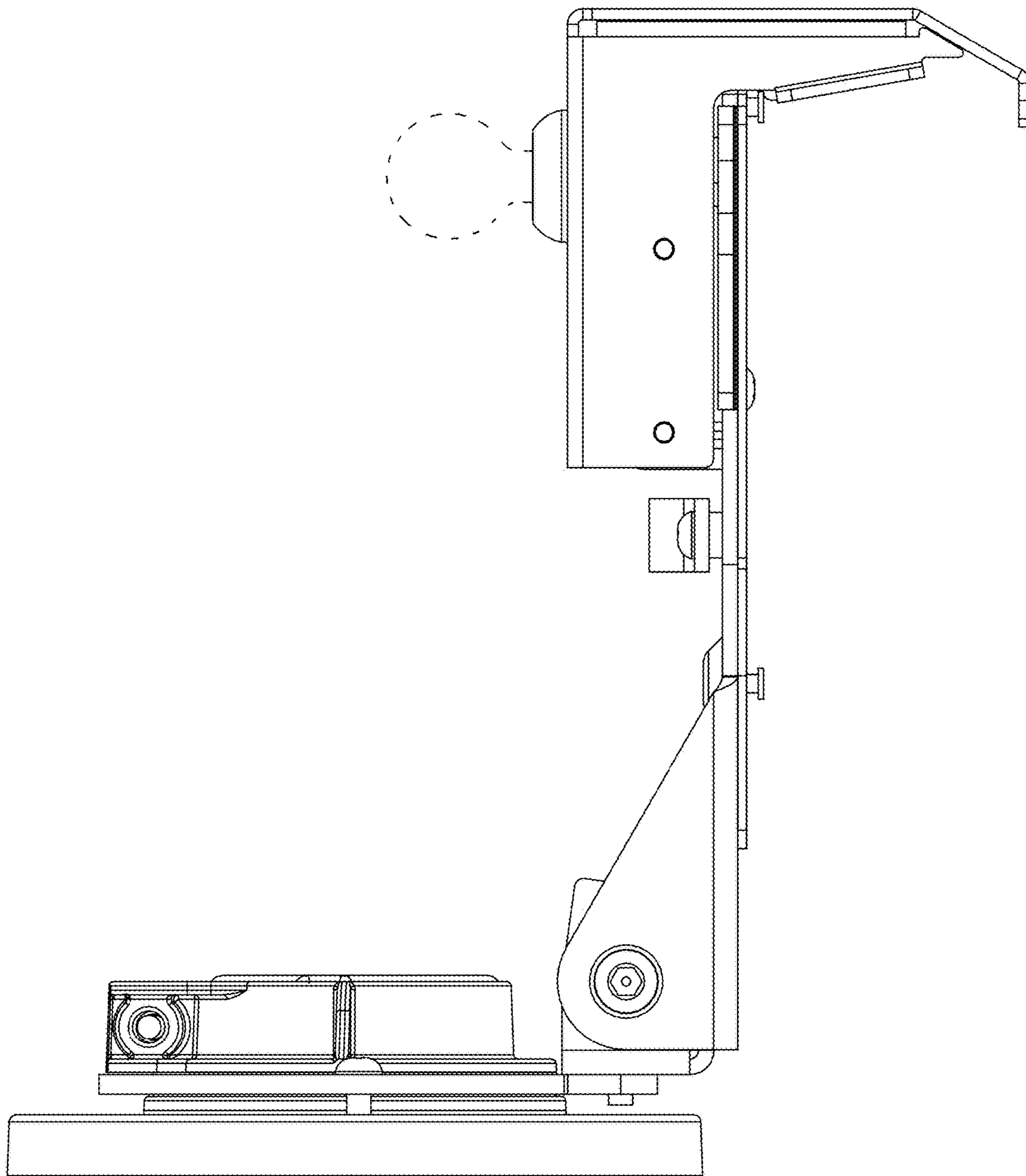


FIG. 6

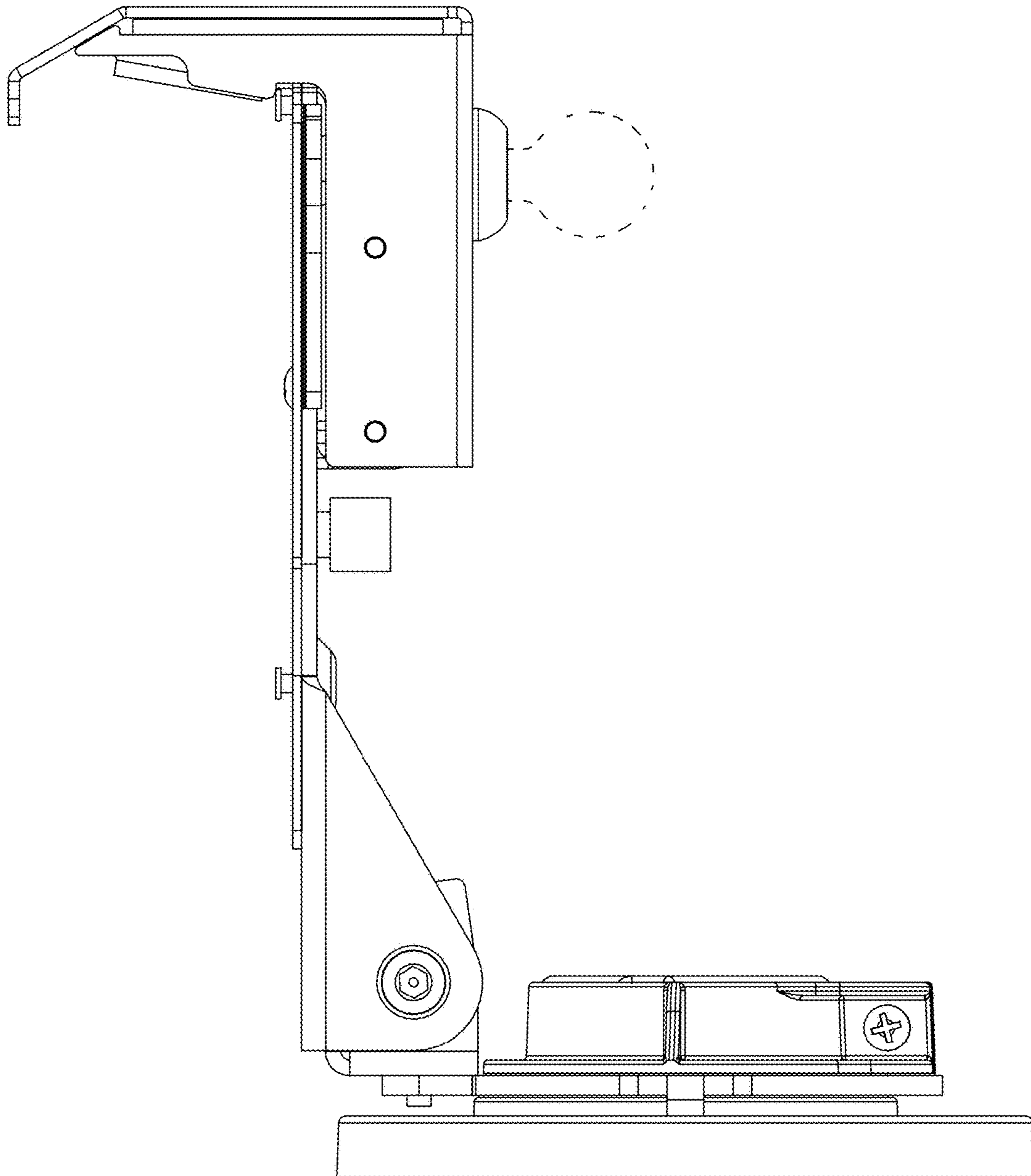


FIG. 7

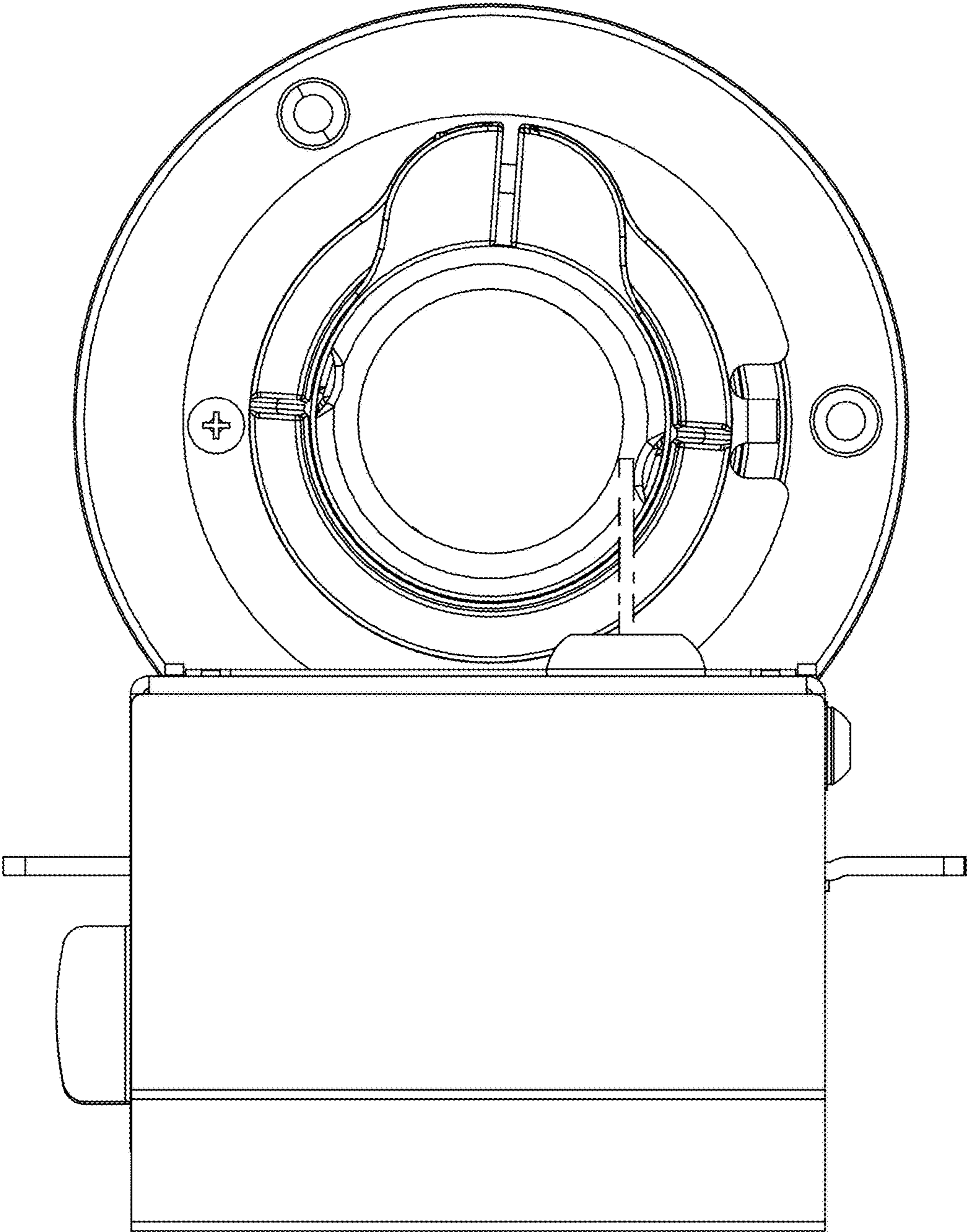


FIG. 8

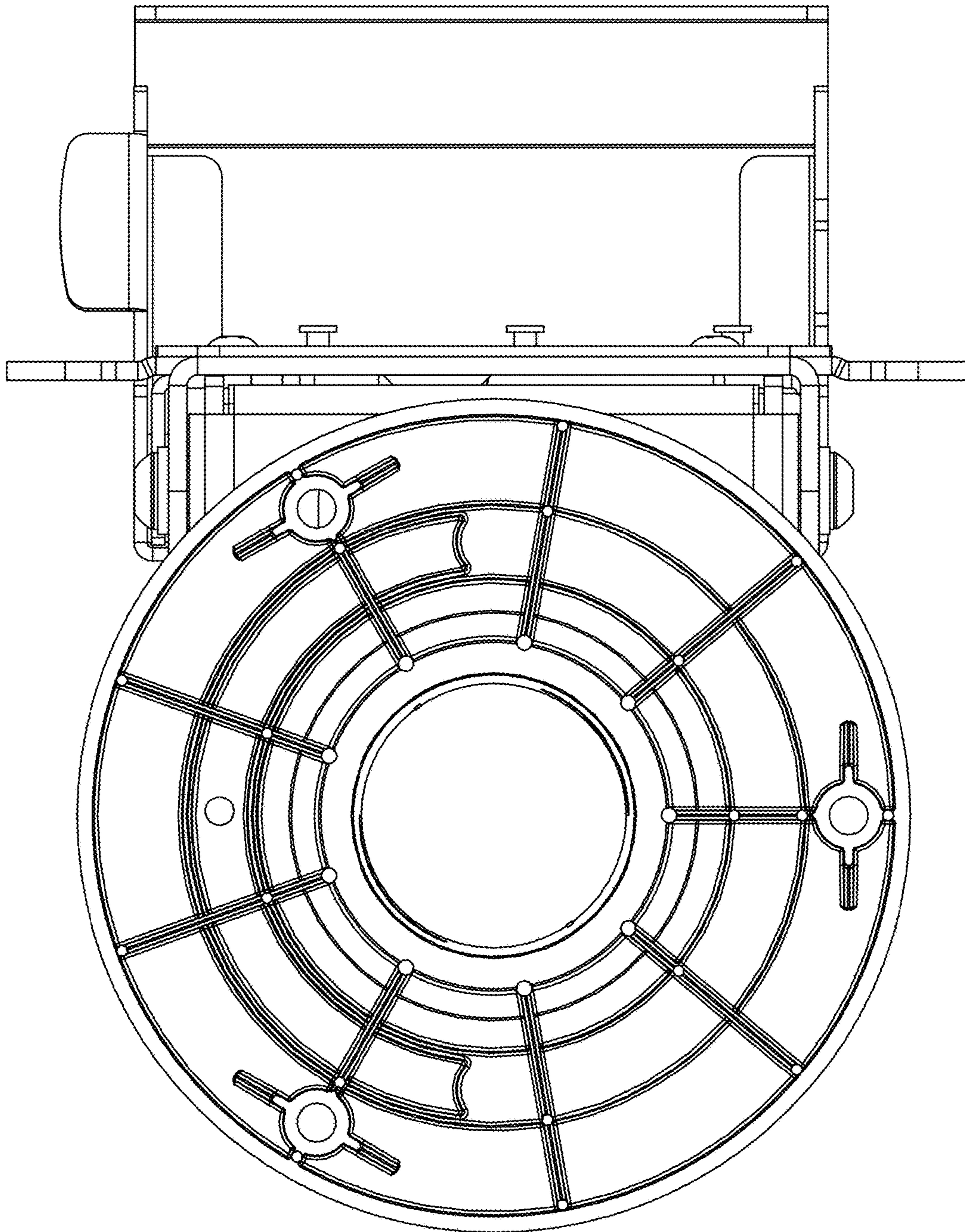


FIG. 9