



US00D781369S

(12) **United States Design Patent**
Siler, Jr.

(10) **Patent No.:** **US D781,369 S**
(45) **Date of Patent:** **** Mar. 14, 2017**

(54) **SET OF ARMS FOR SPECTACLE FRAMES**
(71) Applicant: **Jeffrey Anderson Siler, Jr.**, Overland Park, KS (US)
(72) Inventor: **Jeffrey Anderson Siler, Jr.**, Overland Park, KS (US)
(**) Term: **15 Years**

D310,379 S 9/1990 Russell
D319,449 S 8/1991 Millar
D388,454 S * 12/1997 Freeman D16/335
D390,862 S 2/1998 Gallo
D420,039 S * 2/2000 Carey D16/339
D450,744 S * 11/2001 Rhoades D16/311
6,340,227 B1 * 1/2002 Solberg G02C 11/00
351/123
D459,748 S * 7/2002 Marc D16/334
D471,580 S 3/2003 Breslin

(Continued)

Primary Examiner — Rosemary K Tarcza
Assistant Examiner — Sanjeev Paul

(21) Appl. No.: **29/537,301**
(22) Filed: **Aug. 25, 2015**
(51) **LOC (10) Cl.** **16-06**
(52) **U.S. Cl.**
USPC **D16/335**
(58) **Field of Classification Search**
USPC D16/101, 300–342, 900; D29/109–110;
D21/483, 659–661; D14/372; 351/41,
351/44, 45–48, 51–52, 62, 158, 92,
351/103–123, 140–153, 63, 59; 2/13, 15,
2/426–432, 447–449, 441, 434–437
CPC G02C 2200/08; G02C 1/06; G02C 5/14;
G02C 11/02; G02C 11/04; G02C 5/16;
G02C 2200/22; G02C 5/146; G02C
5/2254; G02C 5/008; G01C 5/16; A61M
2021/0044; A63B 33/002
See application file for complete search history.

(57) **CLAIM**

The ornamental design for set of arms for spectacle frames, as shown and described.

DESCRIPTION

FIG. 1 is a front perspective view of my new design;
FIG. 2 is a front view thereof;
FIG. 3 is a rear view thereof;
FIG. 4 is a right side view thereof;
FIG. 5 is a left side view thereof;
FIG. 6 is a top view thereof; and,
FIG. 7 is a bottom view thereof.

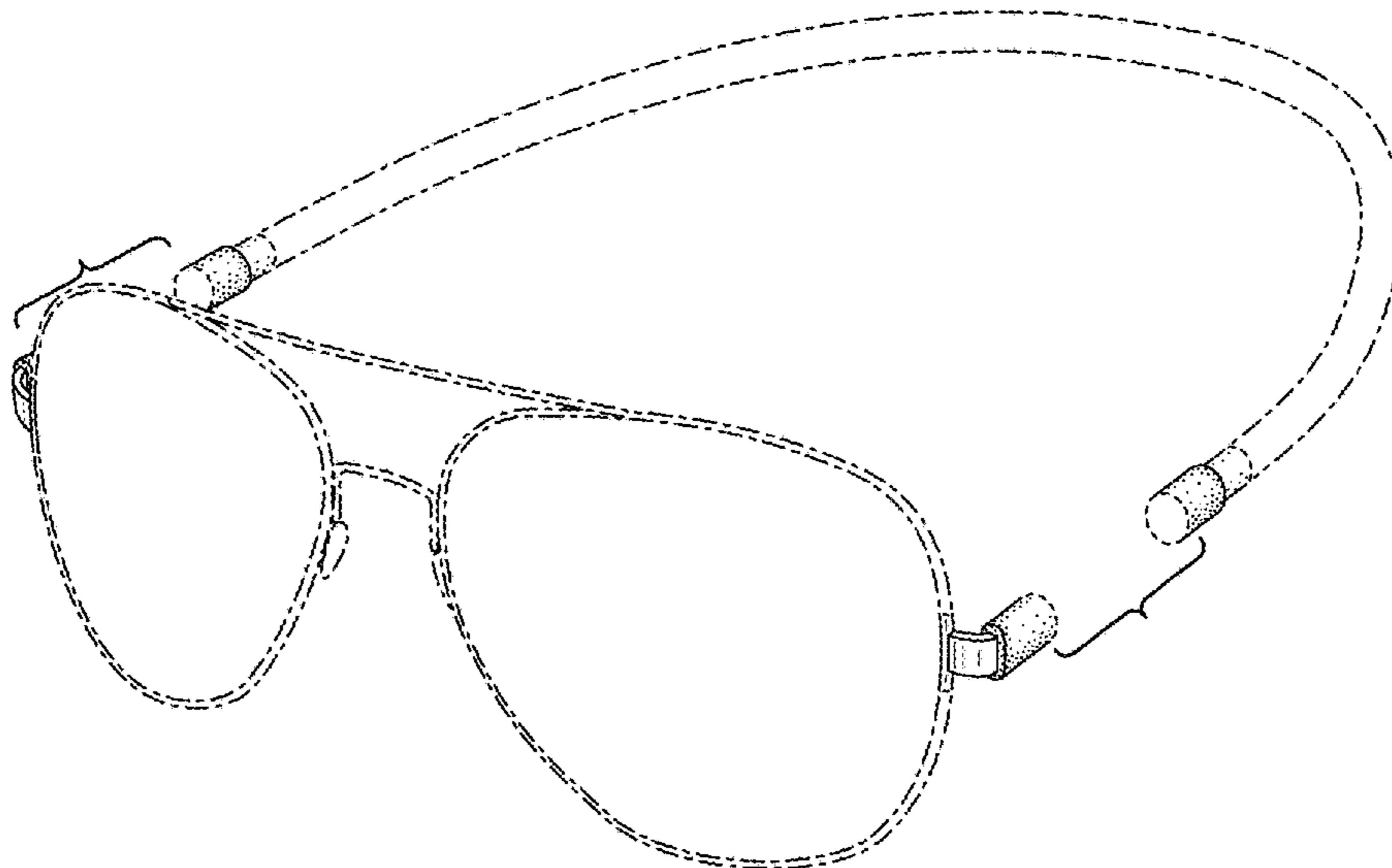
The arms of spectacle frames are shown with symbolic breaks in its length. The appearance of any portion of the article between the break lines form no part of the claimed design. The evenly dashed broken lines shown are included for the purpose of illustrating the boundaries of the claim, and form no part of the claimed design. The dot-dash lines are for the purpose of illustrating environmental structure, and form no part of the claimed design. The contrast in shading techniques (stipple and line shading) represents a contrast of appearance only and does not represent any particular color, material, texture, or finish.

1 Claim, 5 Drawing Sheets

(56) **References Cited**

U.S. PATENT DOCUMENTS

D113,882 S 3/1939 Sanders
3,038,375 A * 6/1962 Gansz G02C 5/00
351/111
D243,602 S * 3/1977 Updegraff D16/331
D272,073 S * 1/1984 Cointment D16/331
D274,625 S * 7/1984 Loucks D16/101
D309,465 S 7/1990 Russell
D310,378 S 9/1990 Russell



(56)

References Cited

U.S. PATENT DOCUMENTS

D476,355	S *	6/2003	Nielsen	D16/315
D477,835	S *	7/2003	Liu	D16/339
D487,015	S *	2/2004	Kalbach	D16/339
6,860,596	B1 *	3/2005	Nolan	G02C 11/00 351/158
D542,832	S *	5/2007	Lewis, Jr.	D16/330
D566,161	S *	4/2008	Sims	D16/339
D573,170	S *	7/2008	Fuchs	D16/316
D588,184	S	3/2009	Lane et al.	
D590,008	S	4/2009	Lane et al.	
D590,009	S	4/2009	Lane et al.	
D590,434	S	4/2009	Lane et al.	
D607,919	S	1/2010	Williams	
D613,328	S	4/2010	Carlow et al.	
D625,349	S	10/2010	Aryan et al.	
D630,241	S	1/2011	Campbell	
D630,669	S	1/2011	Suzuki et al.	
D634,354	S *	3/2011	Schwartz	D16/339
D642,211	S *	7/2011	Bilton	D16/339
D665,008	S	8/2012	Olsson et al.	
D669,115	S *	10/2012	Kalbach	D16/339
D673,997	S *	1/2013	Rohrbach	D16/330
D675,670	S *	2/2013	Fuchs	D16/315
D689,117	S *	9/2013	Ho	D16/323
D753,758	S *	4/2016	Uhm	D16/317
2012/0033410	A1 *	2/2012	Garman	G02C 5/008 362/103

* cited by examiner

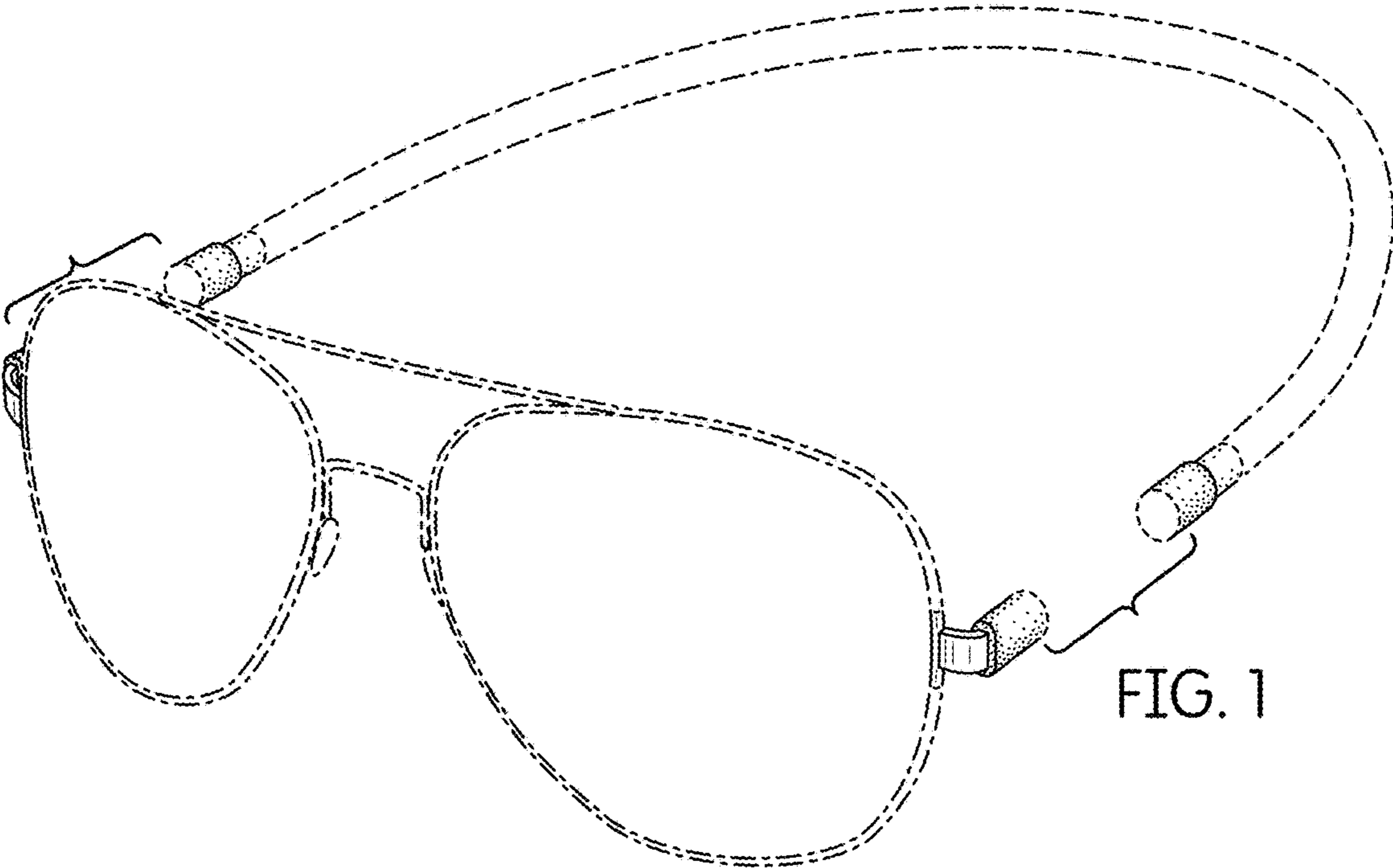


FIG. 1

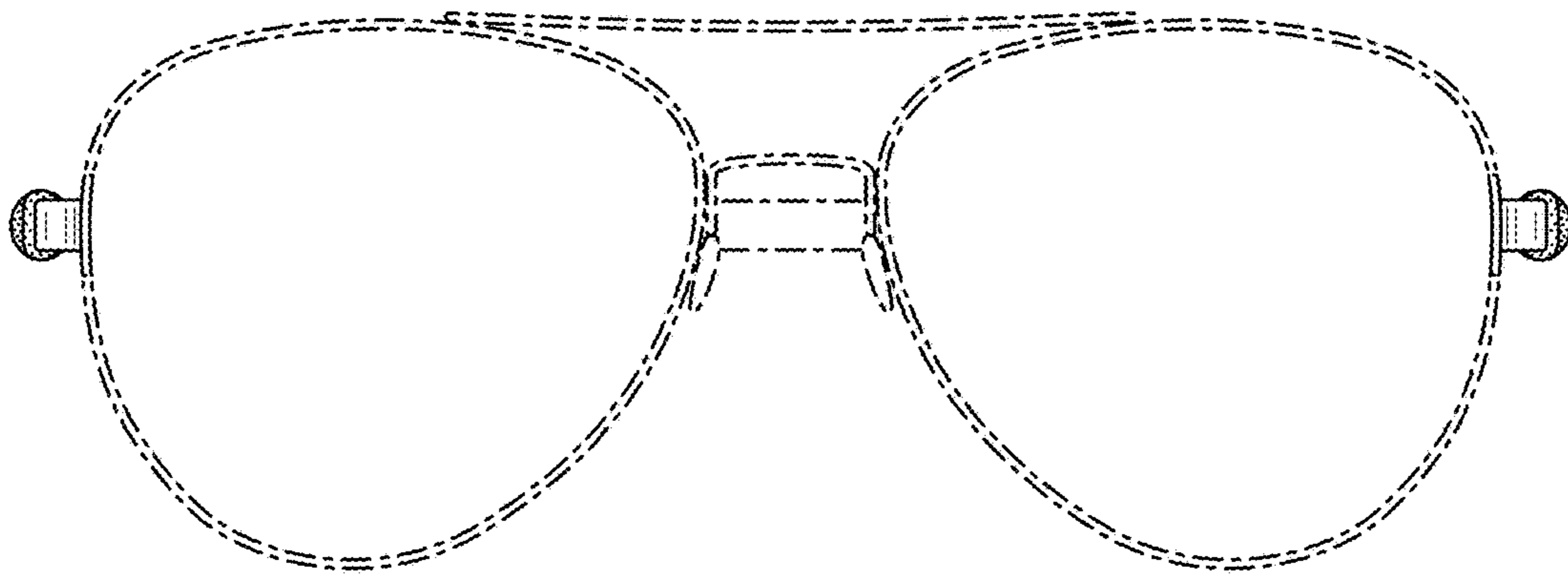


FIG. 2

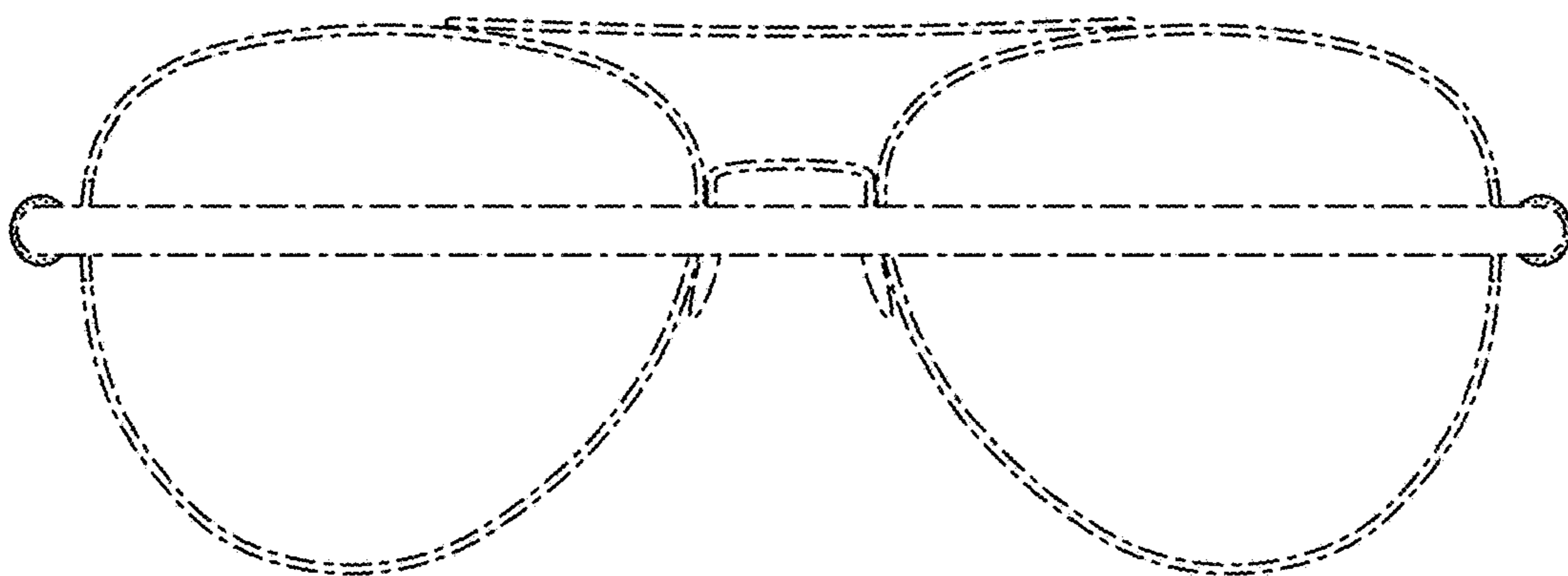
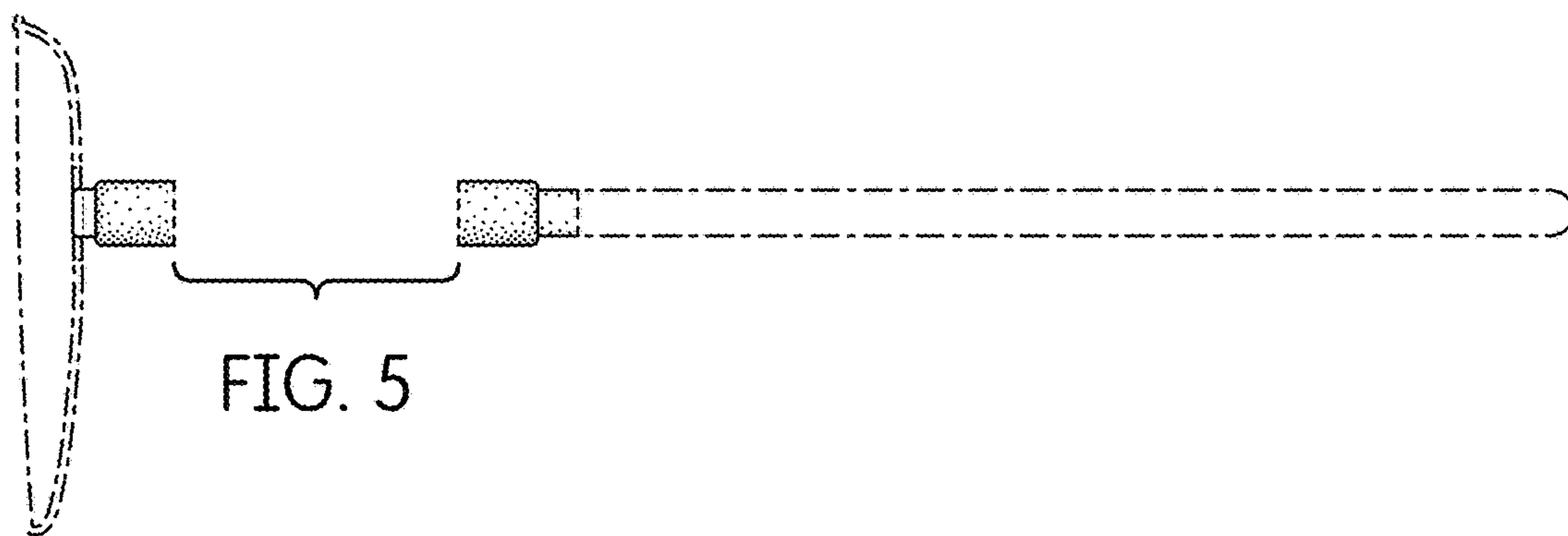
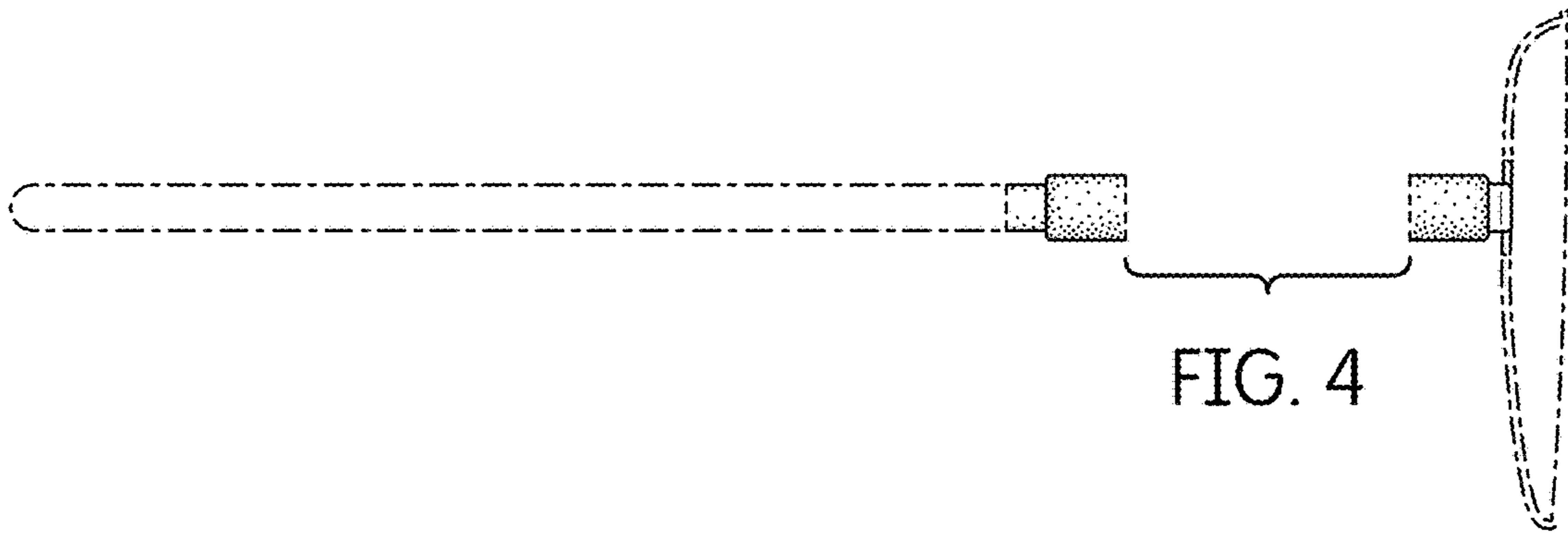


FIG. 3



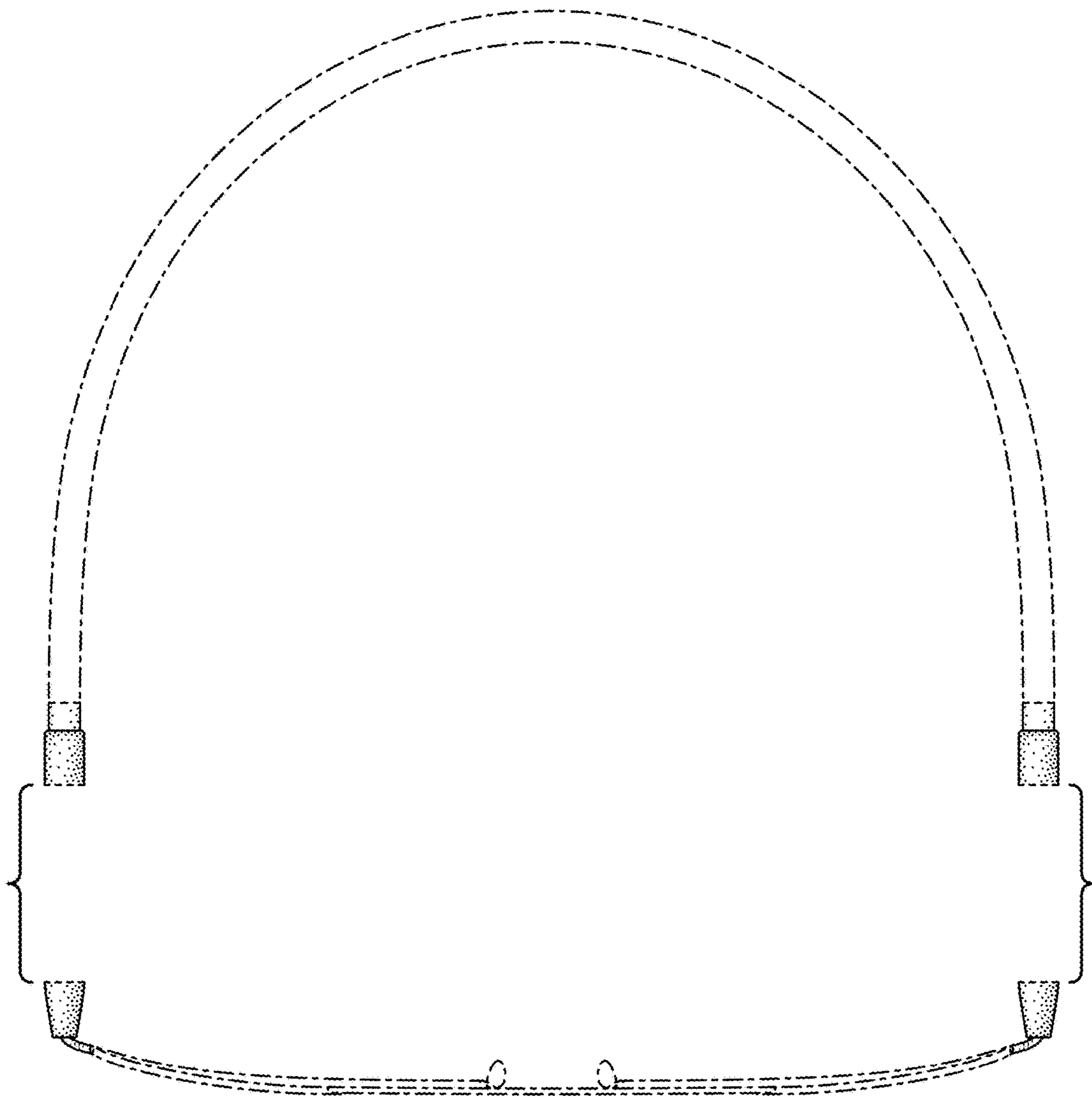


FIG. 6

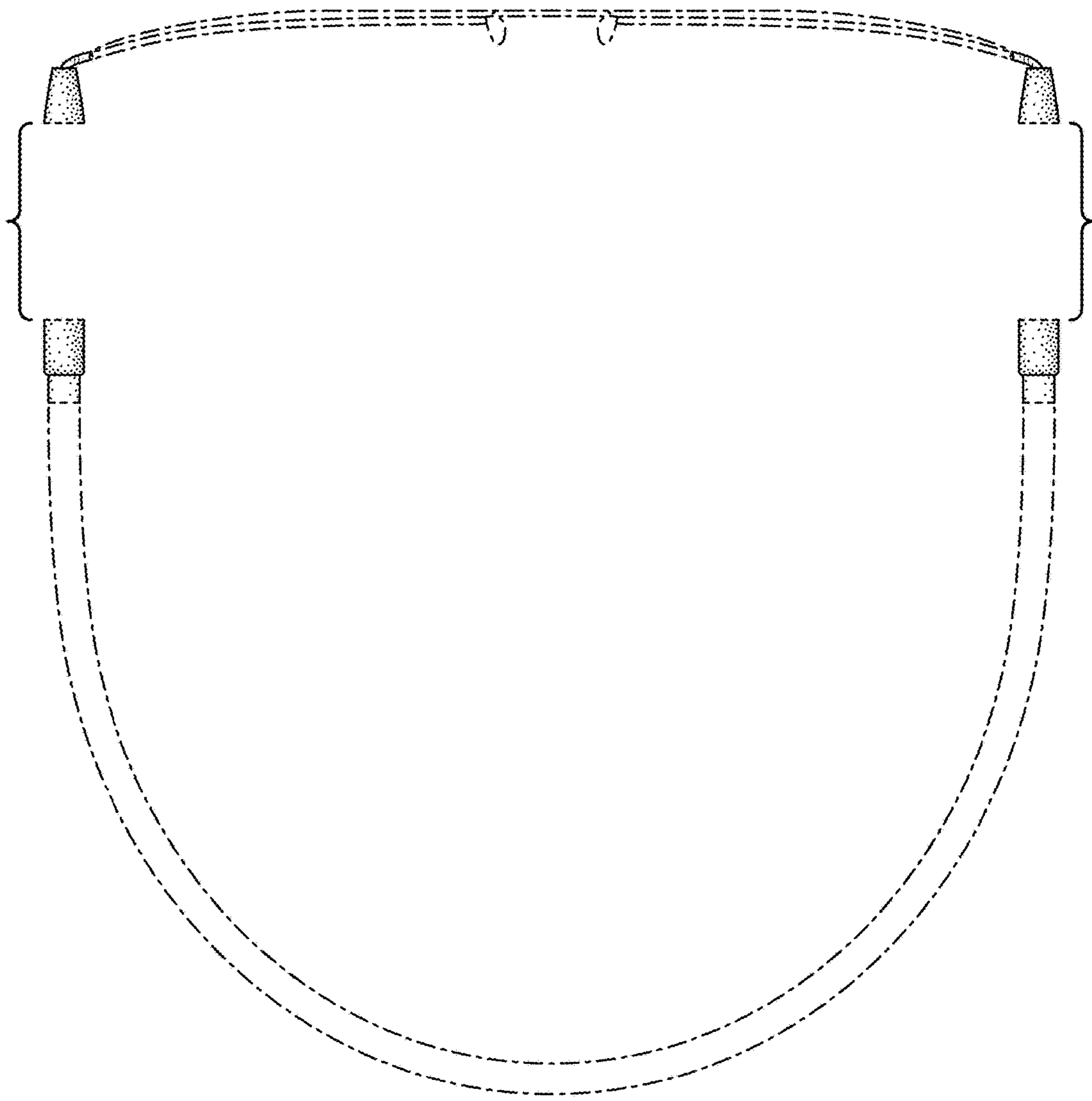


FIG. 7