



US00D781362S

(12) **United States Design Patent**  
**Ikegame**

(10) **Patent No.:** **US D781,362 S**

(45) **Date of Patent:** **\*\* Mar. 14, 2017**

(54) **INSTANT CAMERA**

(71) Applicant: **FUJIFILM Corporation**, Tokyo (JP)

(72) Inventor: **Haruka Ikegame**, Tokyo (JP)

(73) Assignee: **FUJIFILM Corporation**, Tokyo (JP)

(\*\*) Term: **15 Years**

(21) Appl. No.: **29/537,453**

(22) Filed: **Aug. 26, 2015**

(30) **Foreign Application Priority Data**

Feb. 27, 2015 (JP) ..... 2015-004175

(51) **LOC (10) Cl.** ..... **16-01**

(52) **U.S. Cl.**  
USPC ..... **D16/218; D16/211**

(58) **Field of Classification Search**  
USPC ..... D16/202, 208, 209, 210, 211, 218, 219,  
D16/220, 237  
CPC ..... G03B 5/02; G03B 7/102; G03B 17/04;  
G03B 17/18; G03B 17/48; G03B 17/50;  
G03B 17/52  
See application file for complete search history.

(56) **References Cited**

**U.S. PATENT DOCUMENTS**

D352,518 S \* 11/1994 Fukushima ..... D16/209  
D463,472 S \* 9/2002 Horikiri ..... D16/218  
D473,251 S \* 4/2003 Katayama ..... D16/218  
D484,523 S \* 12/2003 Senda ..... D16/218  
6,712,531 B2 \* 3/2004 Takagi ..... G03B 17/04  
396/349  
6,847,783 B2 \* 1/2005 Sasaki ..... G03B 17/52  
116/213  
D524,838 S \* 7/2006 Watanabe ..... D16/202  
D662,962 S \* 7/2012 Inoue ..... D16/219

D662,963 S \* 7/2012 Muraki ..... D16/219  
D697,122 S \* 1/2014 Ikegame ..... D16/218  
D697,959 S \* 1/2014 Imai ..... D16/202  
D702,748 S \* 4/2014 Muraki ..... D16/202  
D709,543 S \* 7/2014 Isozaki ..... D16/218  
D710,924 S \* 8/2014 Nohara ..... D16/219

(Continued)

**OTHER PUBLICATIONS**

“Fujifilm launches instax mini 70”, posted at fujifilm.com, Sep. 30, 2015, [site visited Aug. 8, 2016]. Available from Internet: <http://www.fujifilm.com/news/n150930\_01.html>.\*

(Continued)

*Primary Examiner* — Celia Murphy

*Assistant Examiner* — John M Otte

(74) *Attorney, Agent, or Firm* — Young & Thompson

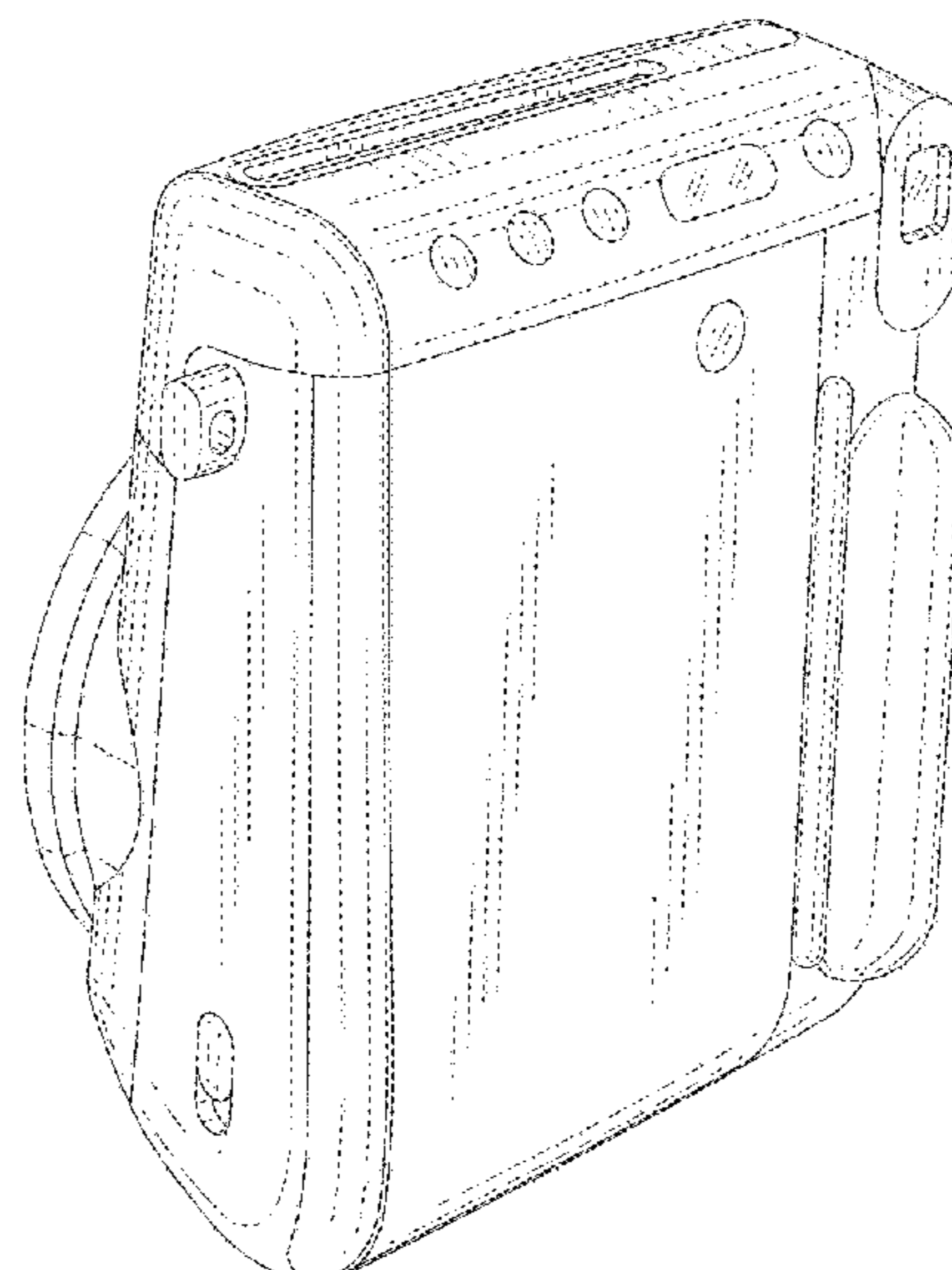
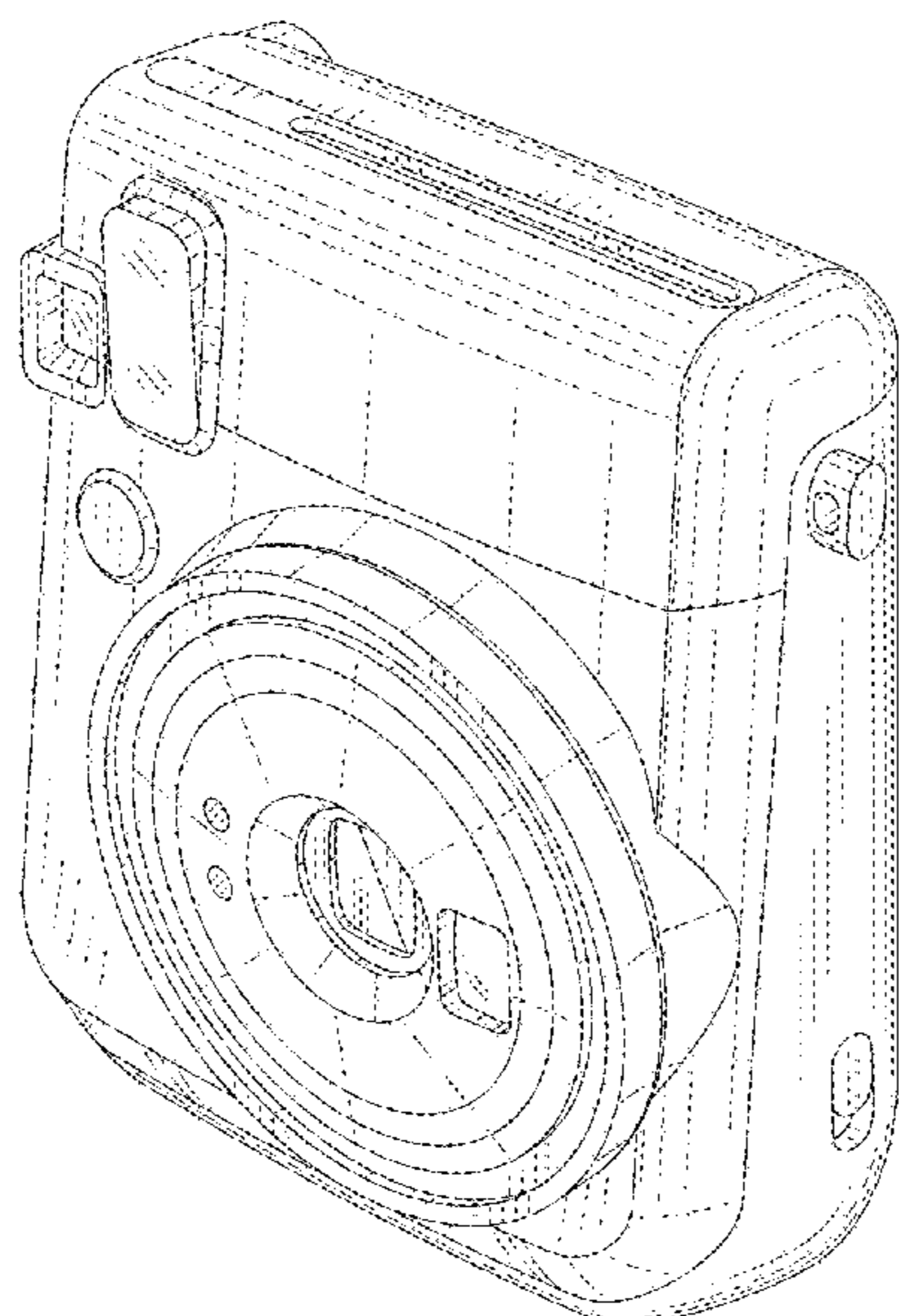
(57) **CLAIM**

The ornamental design for an instant camera, as shown and described.

**DESCRIPTION**

FIG. 1 is a top, front and right side perspective view of an instant camera showing my new design;  
FIG. 2 is a top, rear and right side perspective view thereof;  
FIG. 3 is a front elevational view thereof;  
FIG. 4 is a rear elevational view thereof;  
FIG. 5 is a top plan view thereof;  
FIG. 6 is a bottom plan view thereof;  
FIG. 7 is a left side elevational view thereof;  
FIG. 8 is a right side elevational view thereof; and,  
FIG. 9 is a top, front and right side perspective view thereof with a lens barrel protruded.  
The portions of the design shown in broken lines form no part of the claim.

**1 Claim, 8 Drawing Sheets**



(56)

**References Cited**

U.S. PATENT DOCUMENTS

D727,386 S \* 4/2015 Kobayashi ..... D16/202  
D727,392 S \* 4/2015 Fujita ..... D16/219

OTHER PUBLICATIONS

“Fujifilm instax mini 90—The Best Instax Camera !!”, posted at youtube.com, Oct. 20, 2013, [site visited Aug. 8, 2016]. Available from Internet: <<https://www.youtube.com/watch?v=I5AXSrTlxPo>>.\*

“New Fuji Instant Camera: The Instax Mini 50s in \*Piano Black\*”, posted at content.photojojo.com, Mar. 29, 2011, [site visited Aug. 8, 2016]. Available from Internet: <<http://content.photojojo.com/gear/buy-this/fuji-instax-mini-25s-50s-print-album>>.\*

\* cited by examiner

FIG. 1

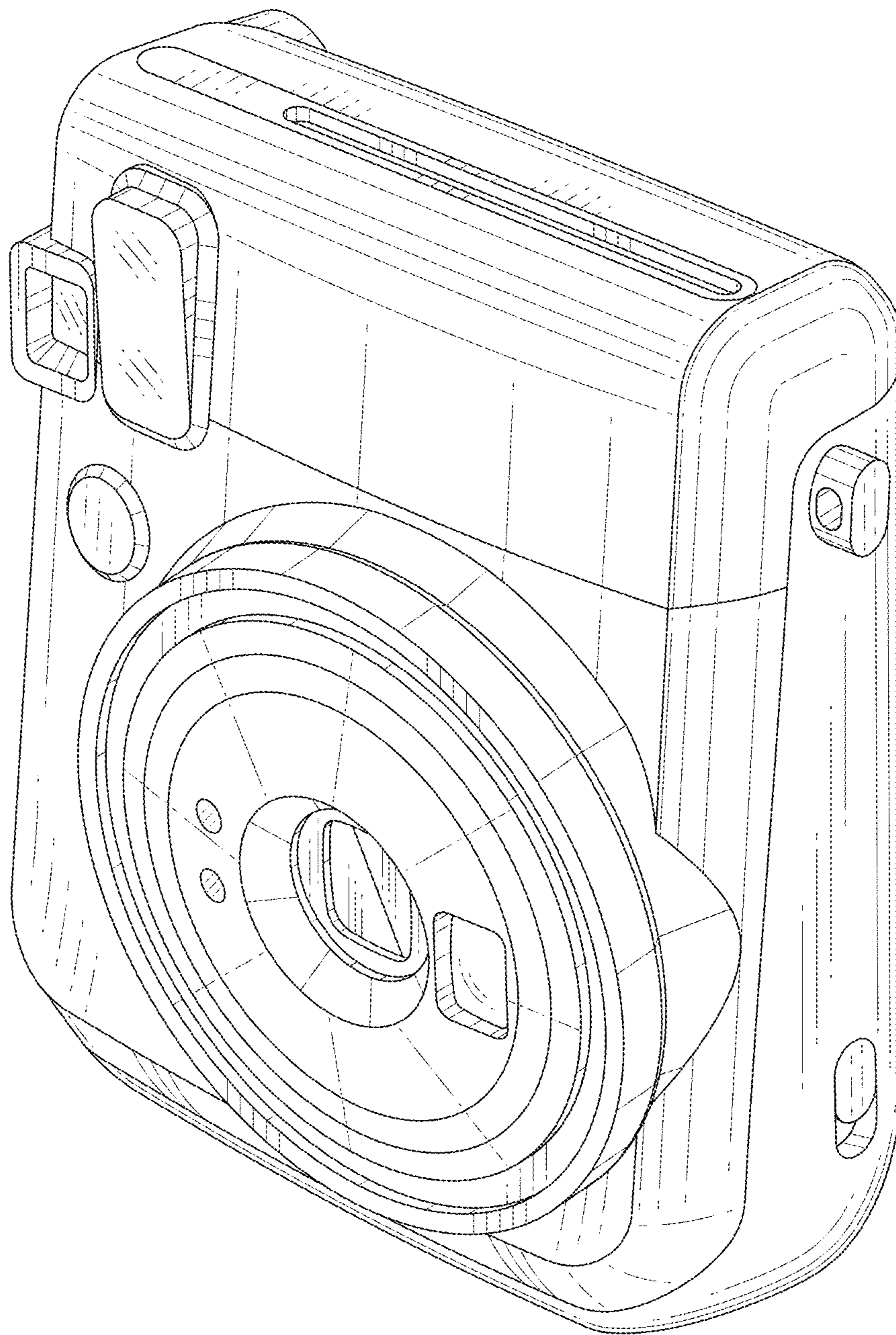


FIG. 2

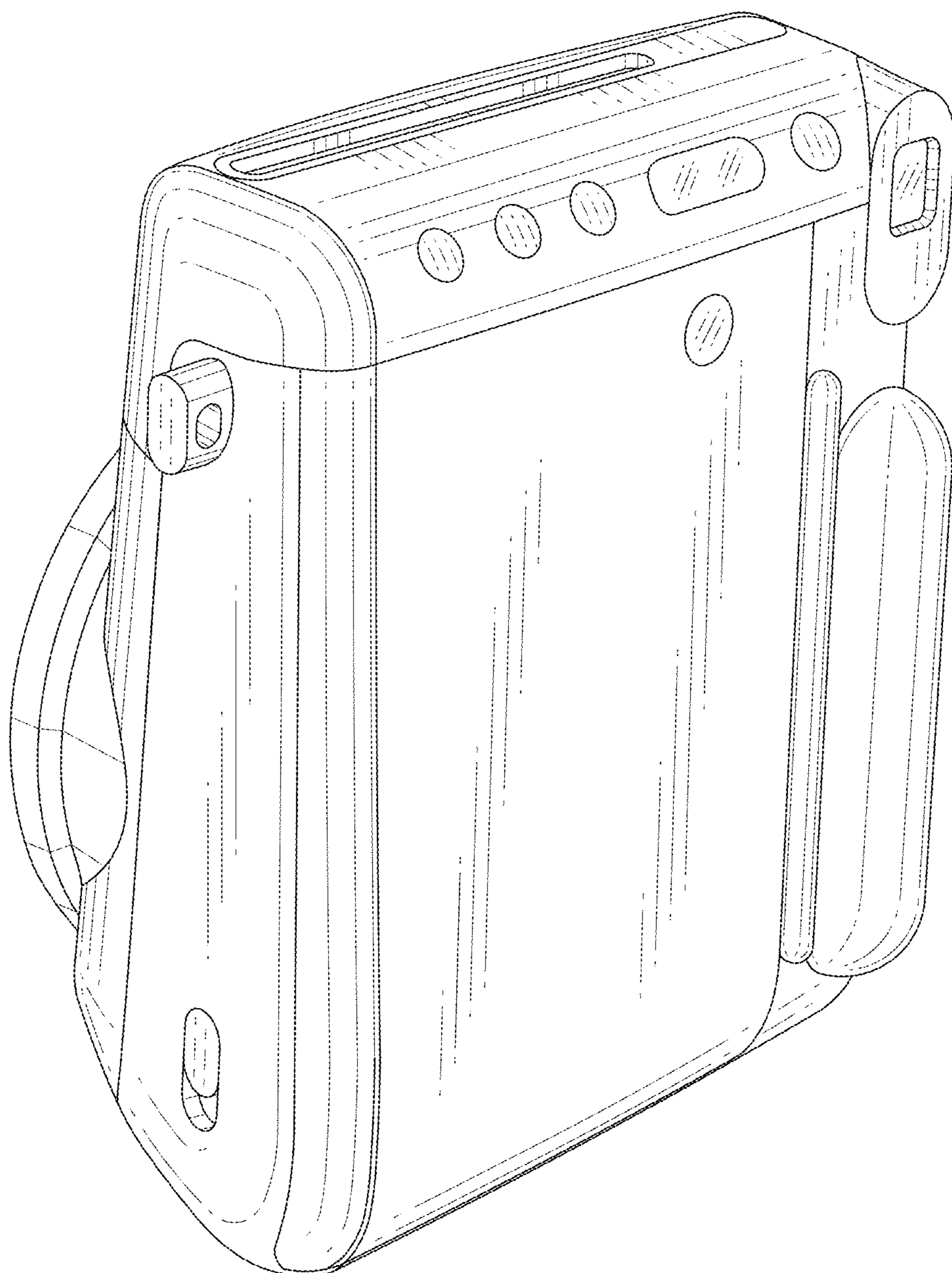


FIG. 3

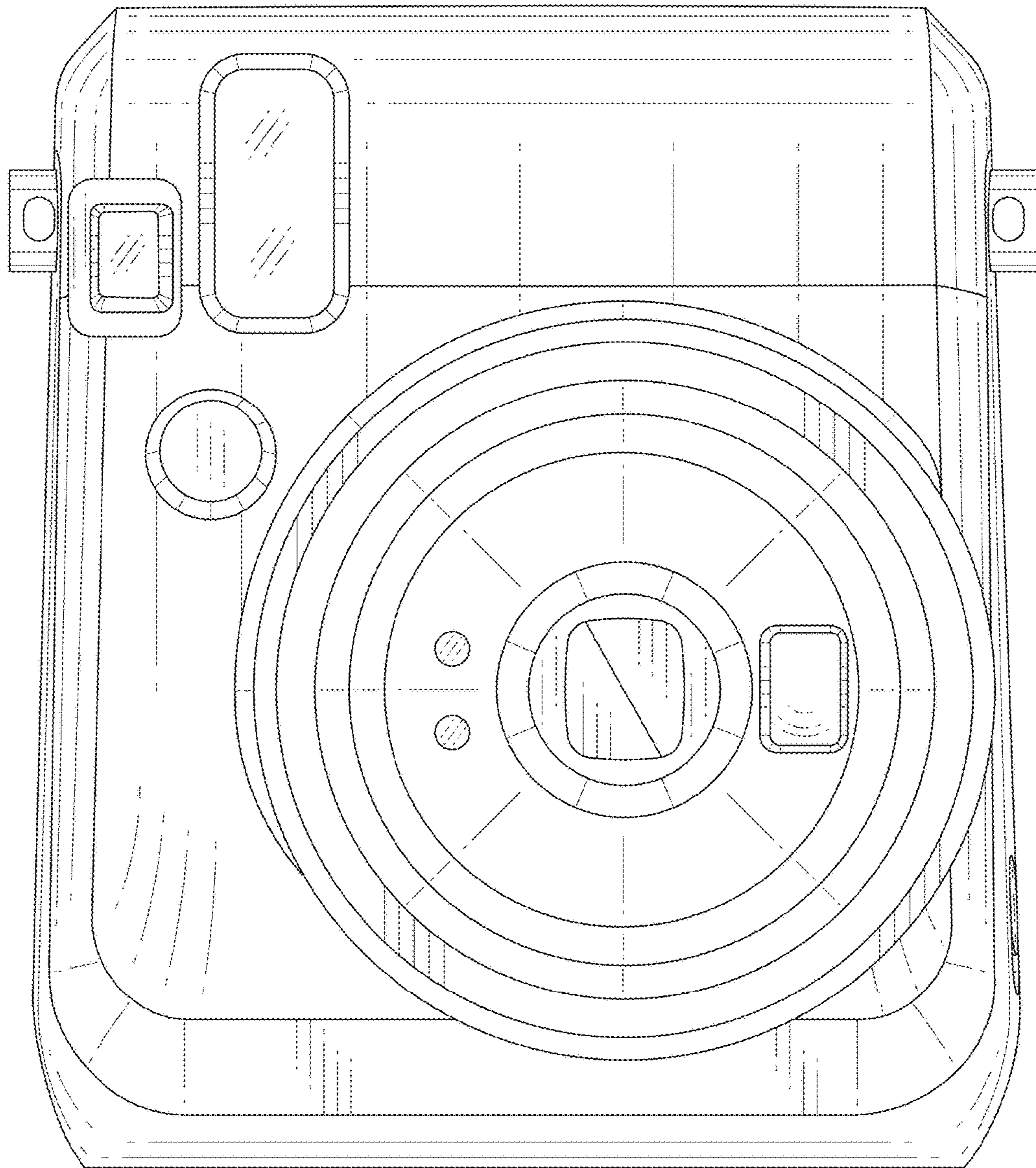


FIG. 4

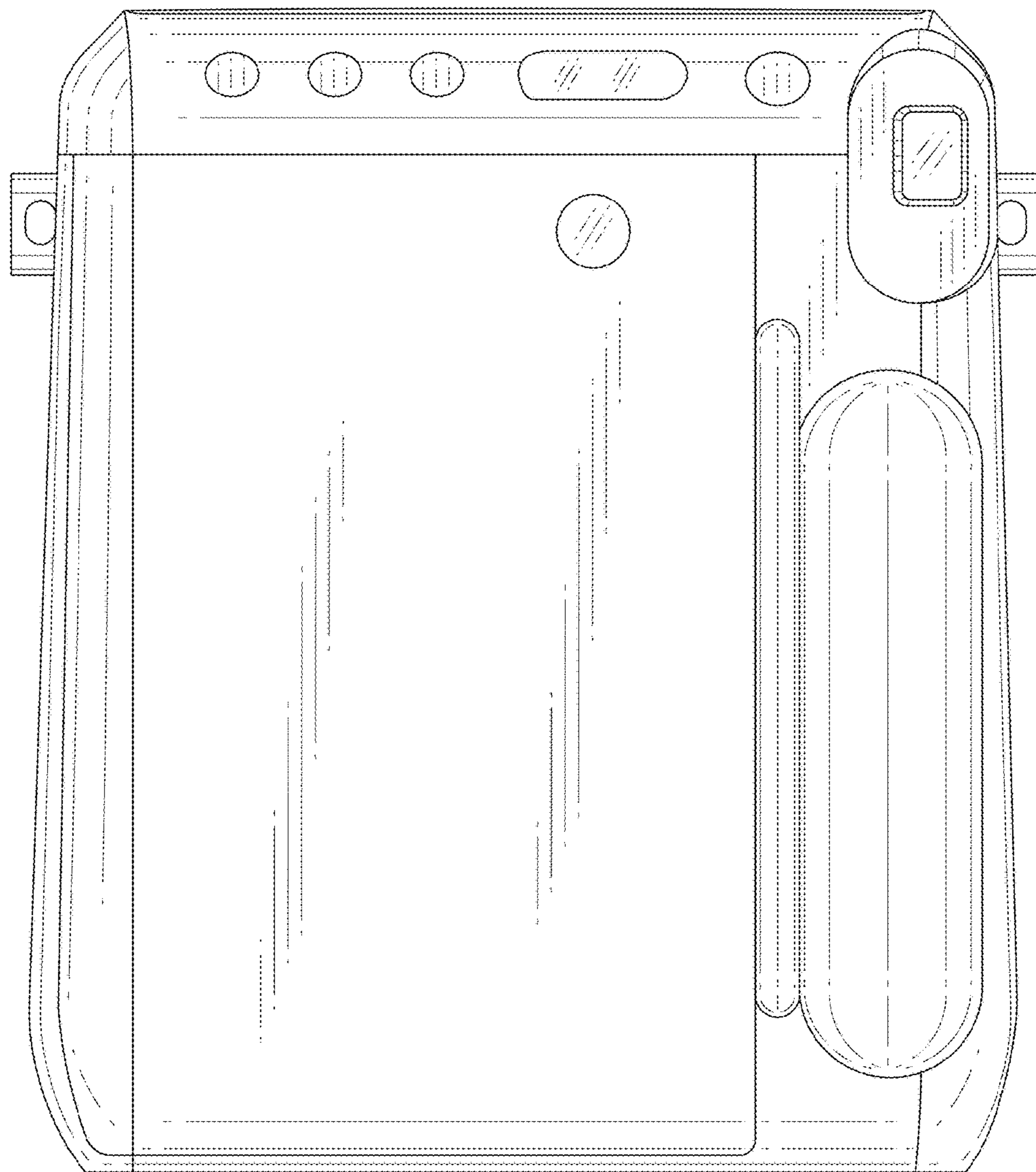


FIG. 5

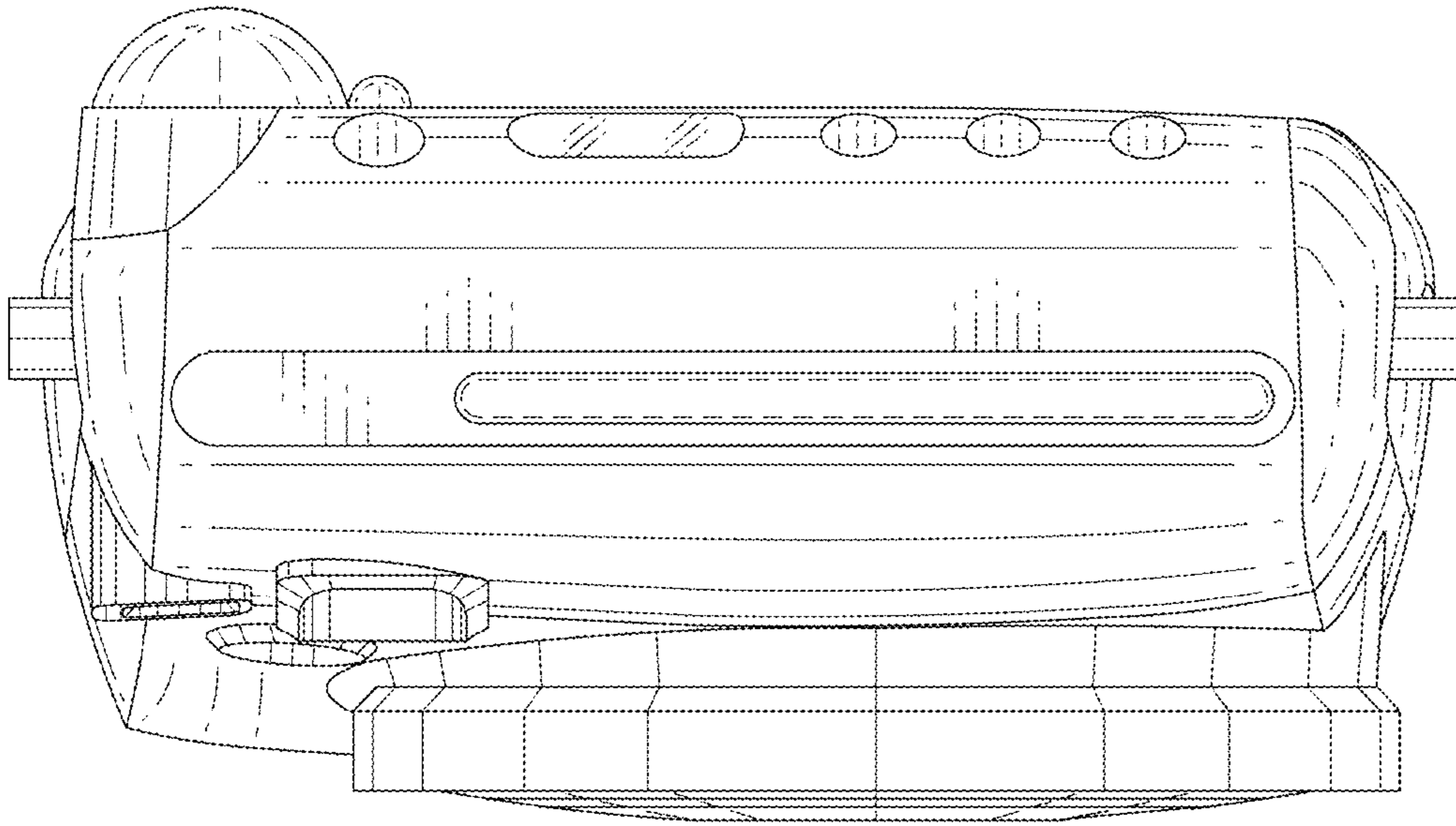


FIG. 6

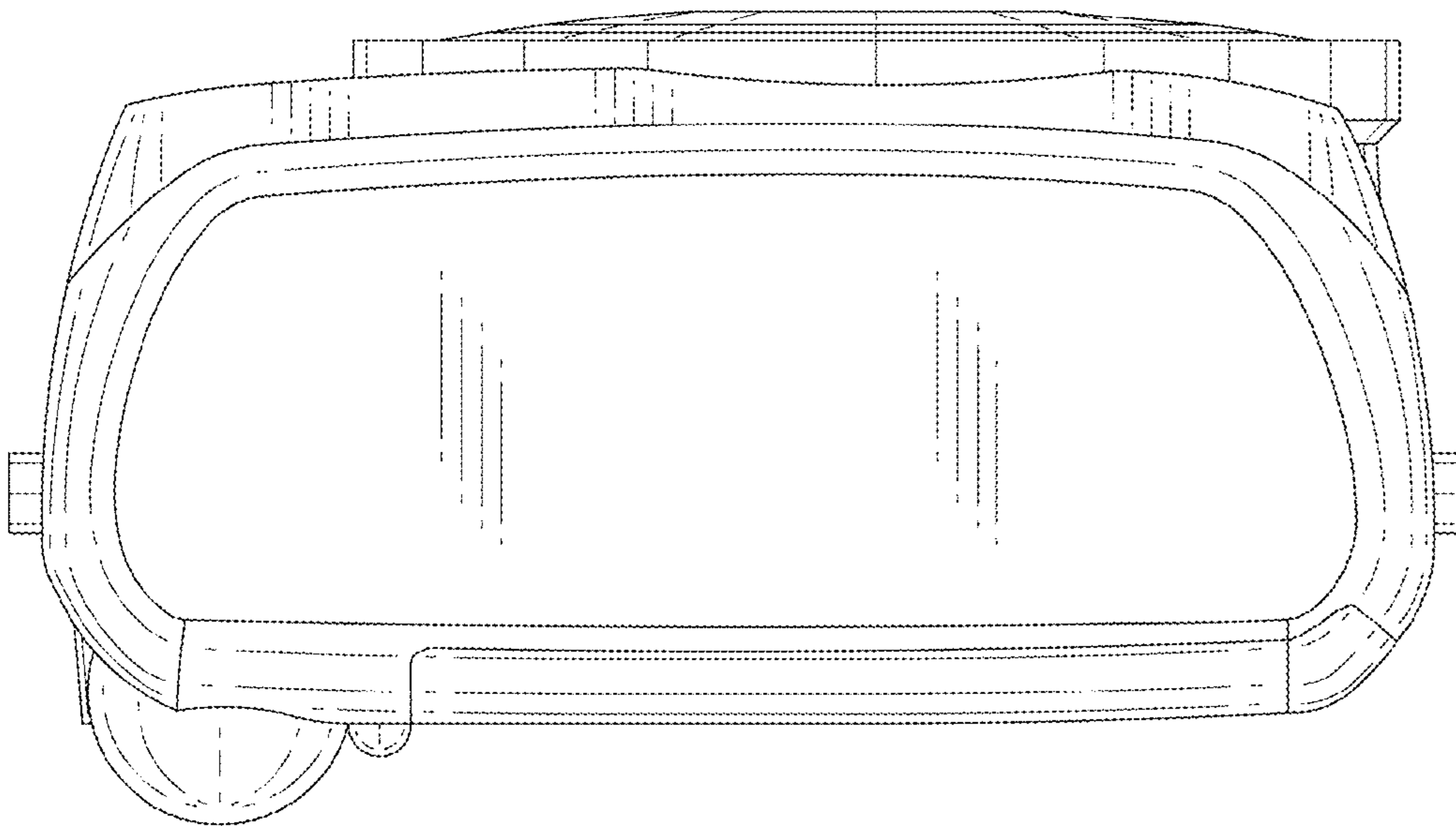


FIG. 7

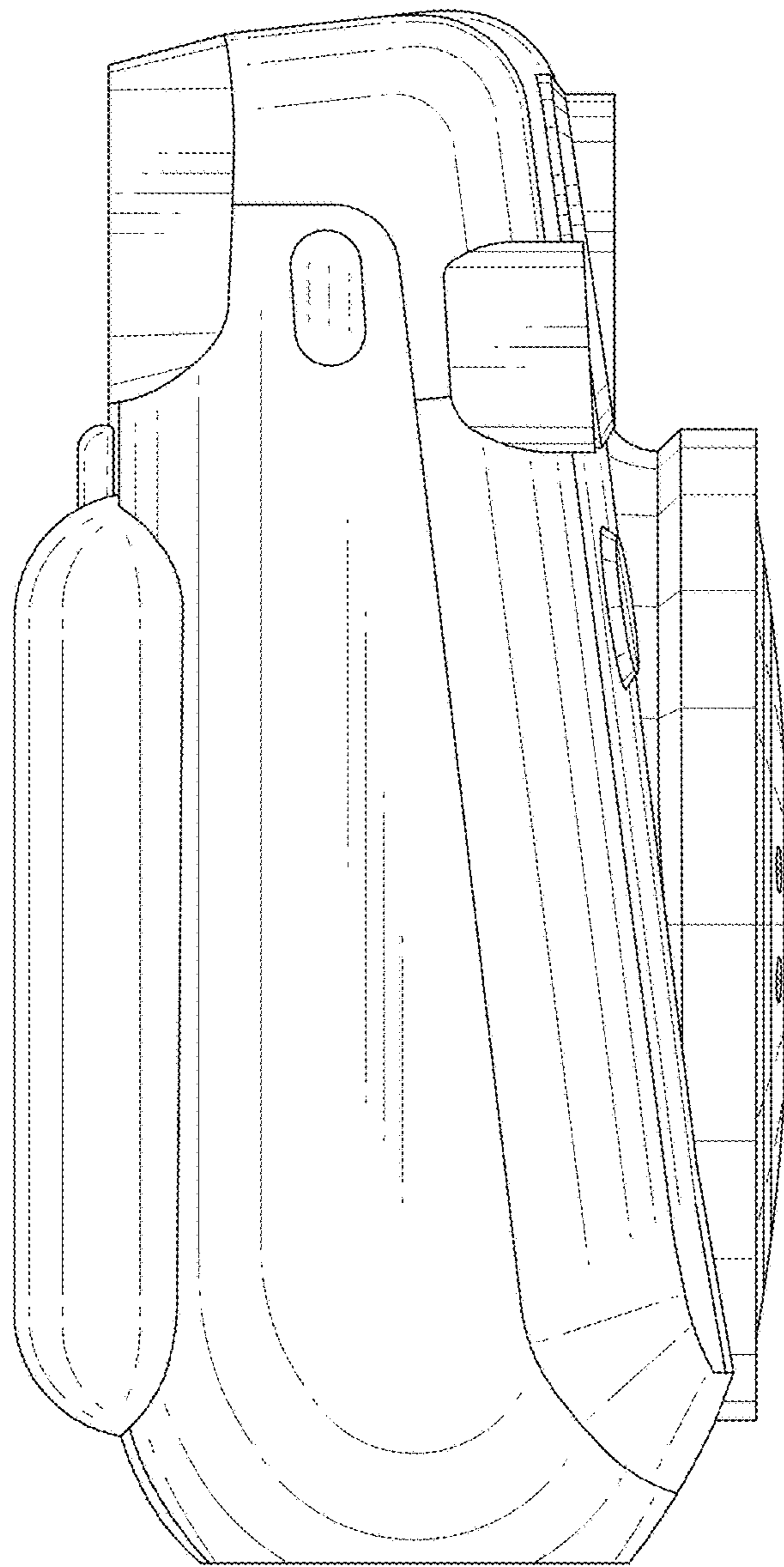




FIG. 8

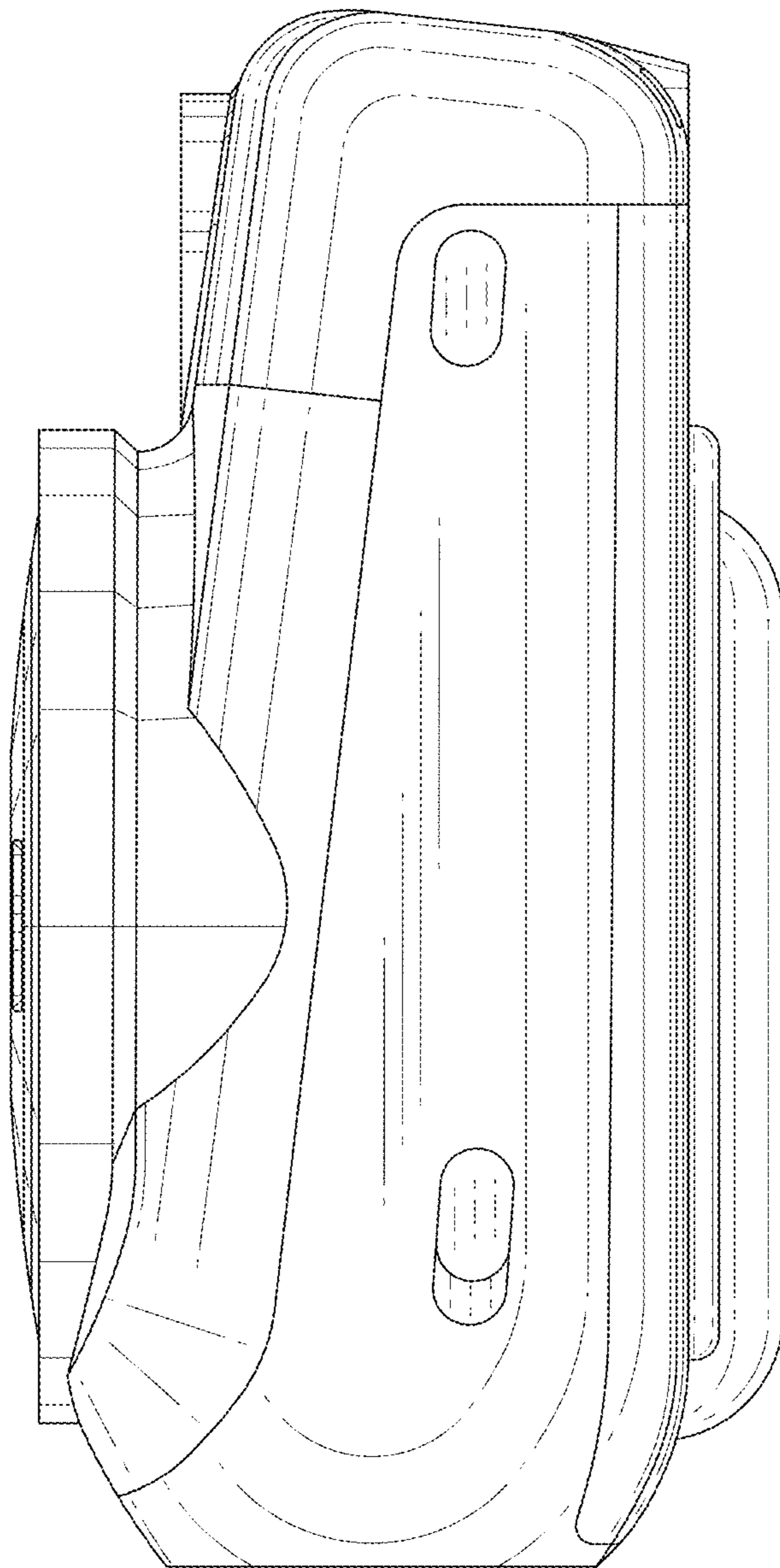


FIG. 9

