



US00D781359S

(12) **United States Design Patent**
Krebber

(10) **Patent No.:** **US D781,359 S**
(45) **Date of Patent:** **** Mar. 14, 2017**

(54) **SAWING MACHINE**

D557,295 S * 12/2007 Formanek D15/127
D592,686 S * 5/2009 Schmitz D15/131
D604,344 S * 11/2009 Weingart D15/124

(71) Applicant: **KEURO Besitz GmbH & Co.**
EDV-Dienstleistungs KG, Achem (DE)

(Continued)

(72) Inventor: **Nicole-Desiree Krebber, Baden-Baden (DE)**

OTHER PUBLICATIONS

Known prior—OMADA, Metallkraft, and others. (Jan. 1, 2013).

(73) Assignee: **KEURO Besitz GmbH & Co.**
EDV-Dienstleistungs KG, Achem (DE)

Primary Examiner — Patricia Palasik

(74) *Attorney, Agent, or Firm* — Volpe and Koenig, P.C.

(**) Term: **14 Years**

(57) **CLAIM**

(21) Appl. No.: **29/508,571**

The ornamental design for a sawing machine, as shown and described.

(22) Filed: **Nov. 7, 2014**

DESCRIPTION

(51) **LOC (10) Cl.** **15-09**

(52) **U.S. Cl.**
USPC **D15/133**

(58) **Field of Classification Search**
USPC D15/122, 127, 133
See application file for complete search history.

FIG. 1 is a top, front, left perspective view of a first embodiment of a sawing machine in accordance with my design;

FIG. 2 is a front elevational view thereof;

FIG. 3 is a rear elevational view thereof;

FIG. 4 is a left side elevational view thereof;

FIG. 5 is a right side elevational view thereof;

FIG. 6 is a top plan view thereof; and

FIG. 7 is a bottom view thereof;

FIG. 8 is a top, front, left perspective view of a second embodiment of a sawing machine in accordance with my design;

FIG. 9 is a front elevational view thereof;

FIG. 10 is a rear elevational view thereof;

FIG. 11 is a left side elevational view thereof;

FIG. 12 is a right side elevational view thereof;

FIG. 13 is a top plan view thereof; and,

FIG. 14 is a bottom view thereof.

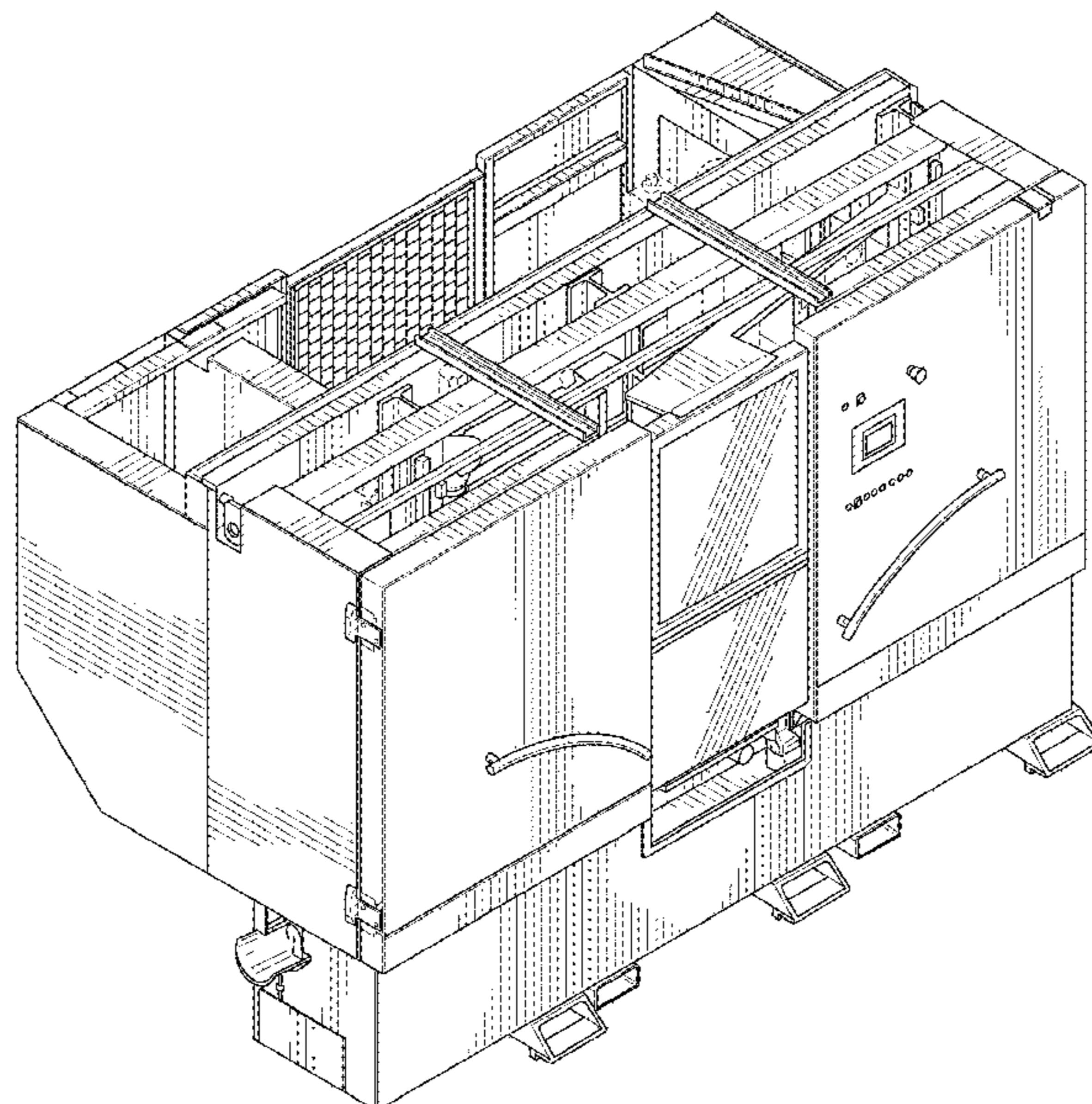
The broken lines in the drawings depict unclaimed environmental subject matter.

(56) **References Cited**

U.S. PATENT DOCUMENTS

D137,389 S *	2/1944	Spiller	D15/129
D198,995 S *	8/1964	Ashford	D15/129
D199,864 S *	12/1964	Schreckengost	D18/34.3
D274,335 S *	6/1984	Jenkins	D15/128
D280,904 S *	10/1985	Kruse	D15/129
D331,066 S *	11/1992	Englert	D15/122
D336,749 S *	6/1993	Lenard	D15/127
5,410,119 A *	4/1995	Lehmann	B23H 7/02 219/69.12
5,765,460 A *	6/1998	Wathieu	B23D 36/005 83/311
D415,175 S *	10/1999	Lin	D15/122
D523,037 S *	6/2006	Kaser	D15/133
D544,003 S *	6/2007	Inaba	D15/127

1 Claim, 14 Drawing Sheets



(56)

References Cited

U.S. PATENT DOCUMENTS

D608,799 S * 1/2010 Tokiwa D15/134
7,770,575 B2 * 8/2010 Brocco B23D 57/0023
125/21
D633,115 S * 2/2011 Brown D15/127
D649,174 S * 11/2011 Schindler D15/127
D649,567 S * 11/2011 Schindler D15/127
D681,699 S * 5/2013 Lin D15/122
D694,787 S * 12/2013 Mueller D15/122
D701,250 S * 3/2014 Thoma D15/127
D701,251 S * 3/2014 Thoma D15/127
D701,253 S * 3/2014 Thoma D15/127
D718,795 S * 12/2014 Schonherr D15/122
D726,789 S * 4/2015 Schmid D15/122
D734,787 S * 7/2015 Schonherr D15/122
9,089,912 B2 * 7/2015 Chiao B25B 1/2489
2005/0005750 A1 * 1/2005 Lin B23D 23/00
83/167

* cited by examiner

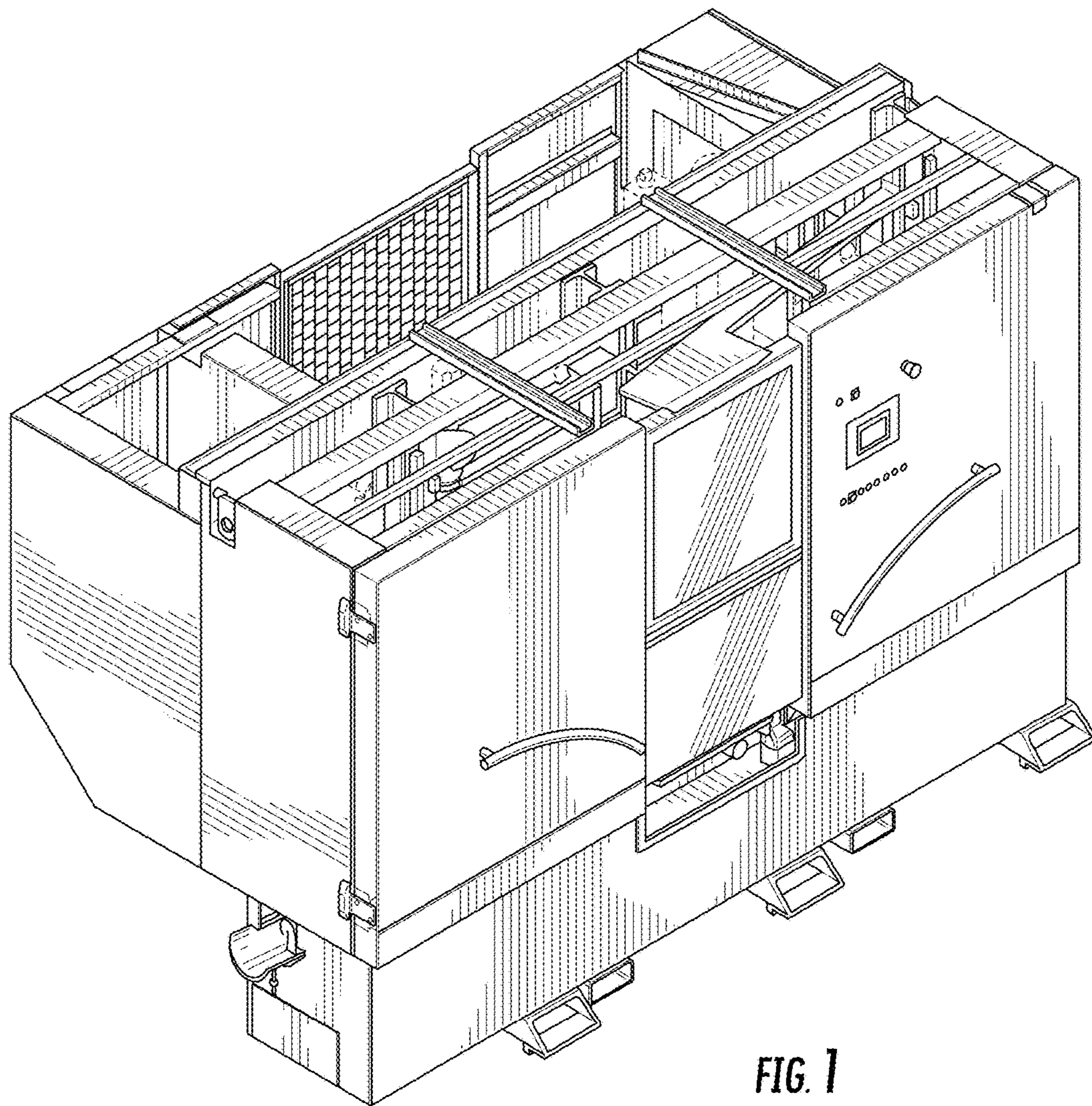


FIG. 1

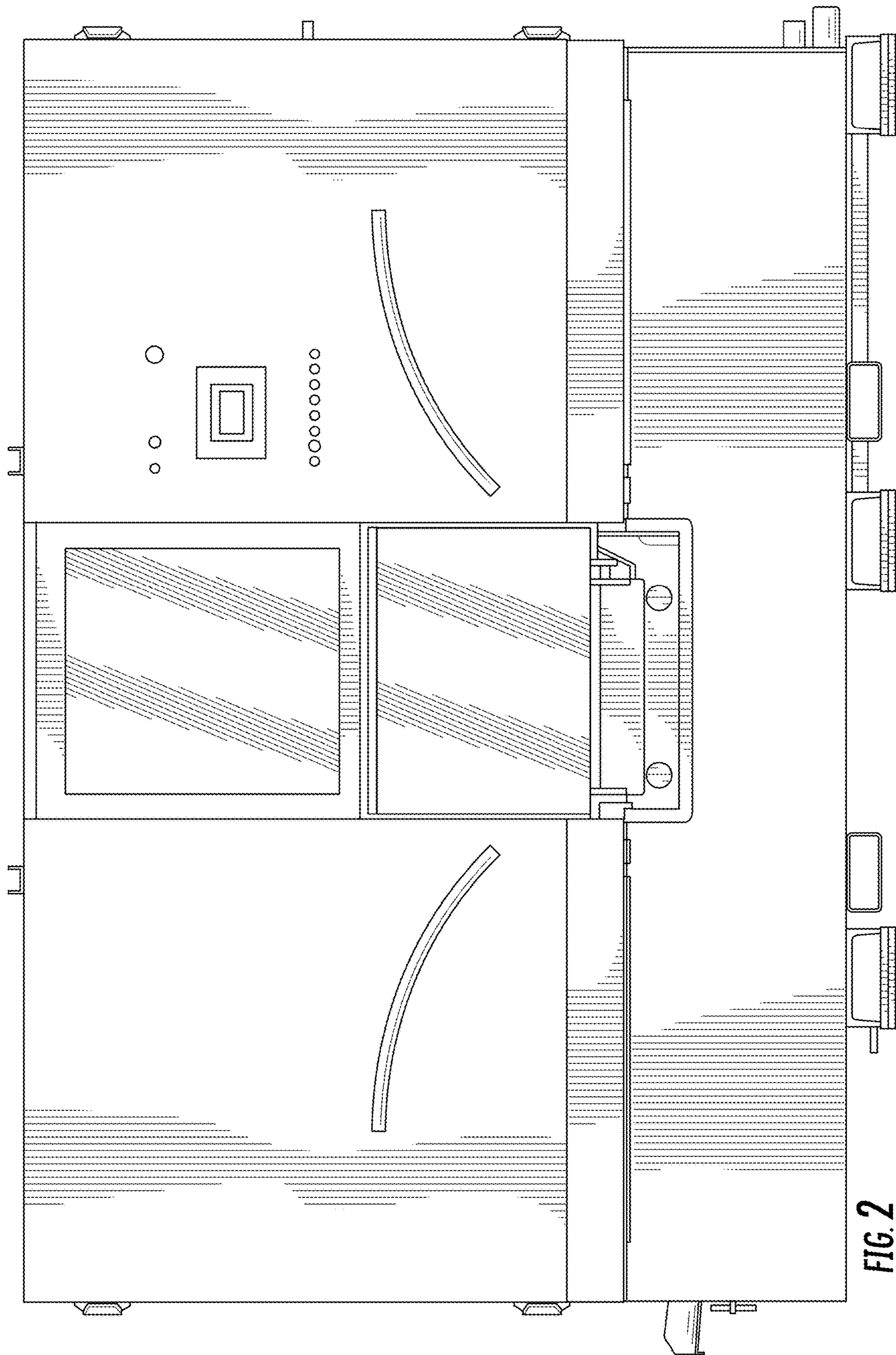
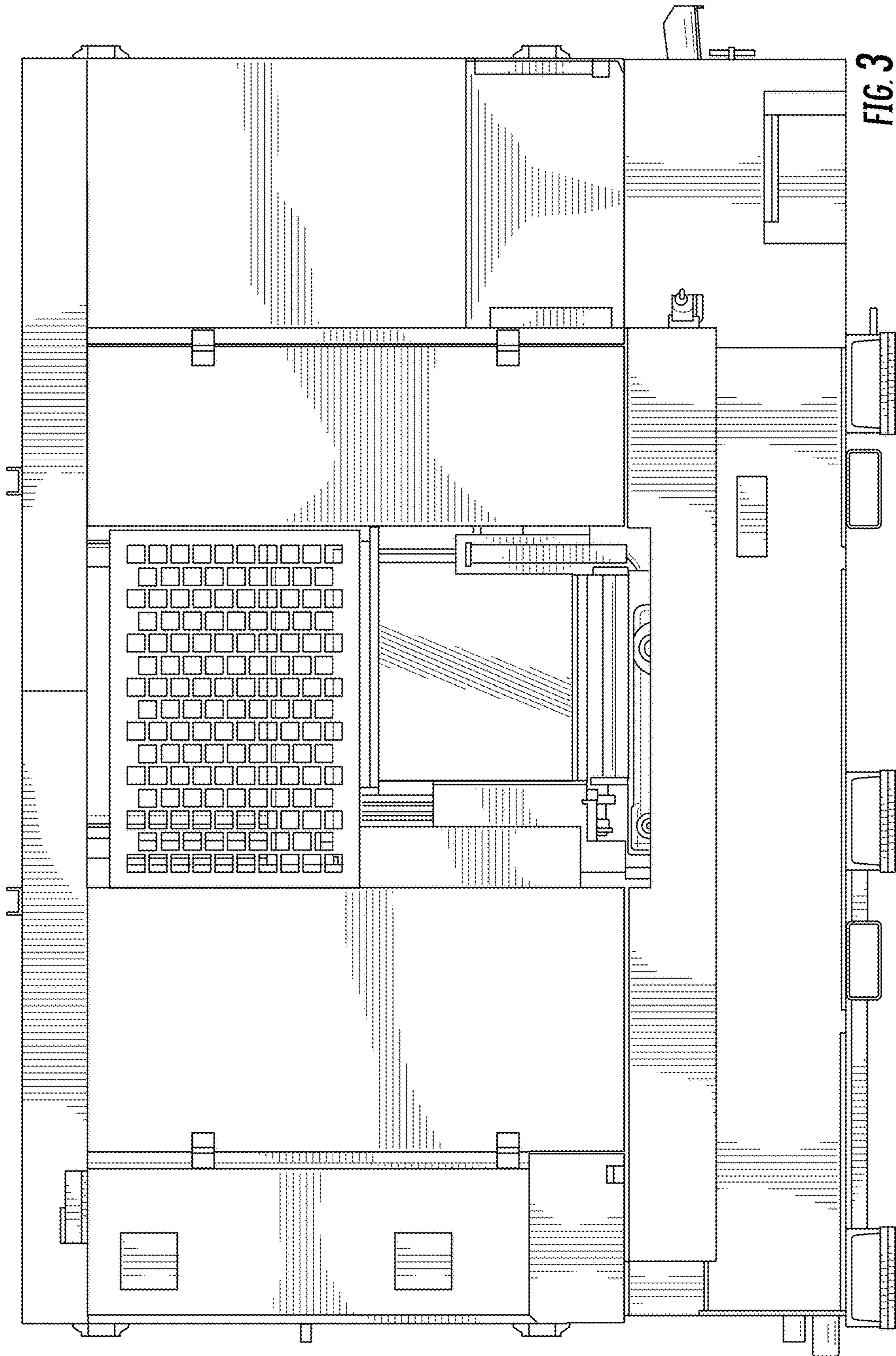


FIG. 2



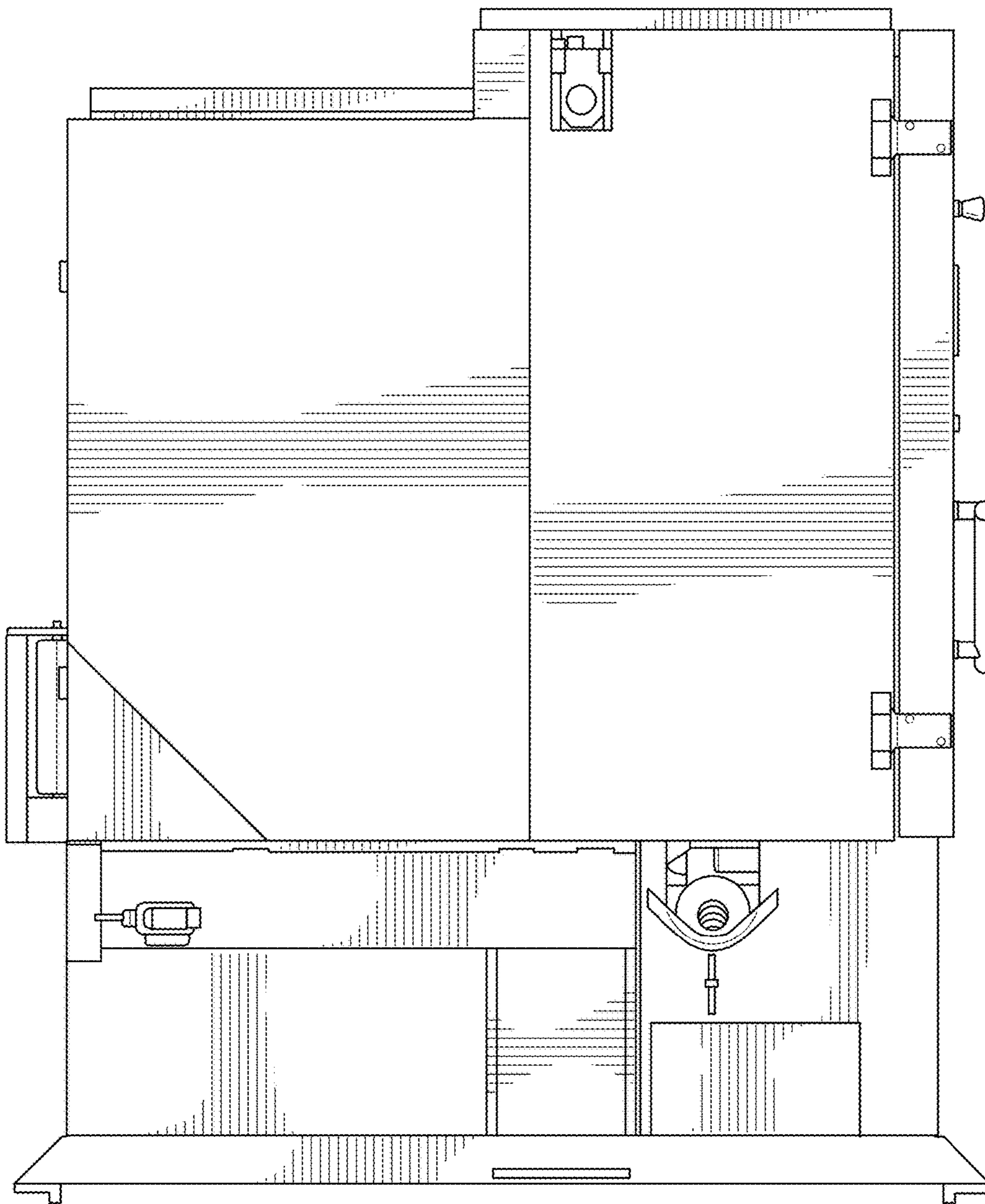


FIG. 4

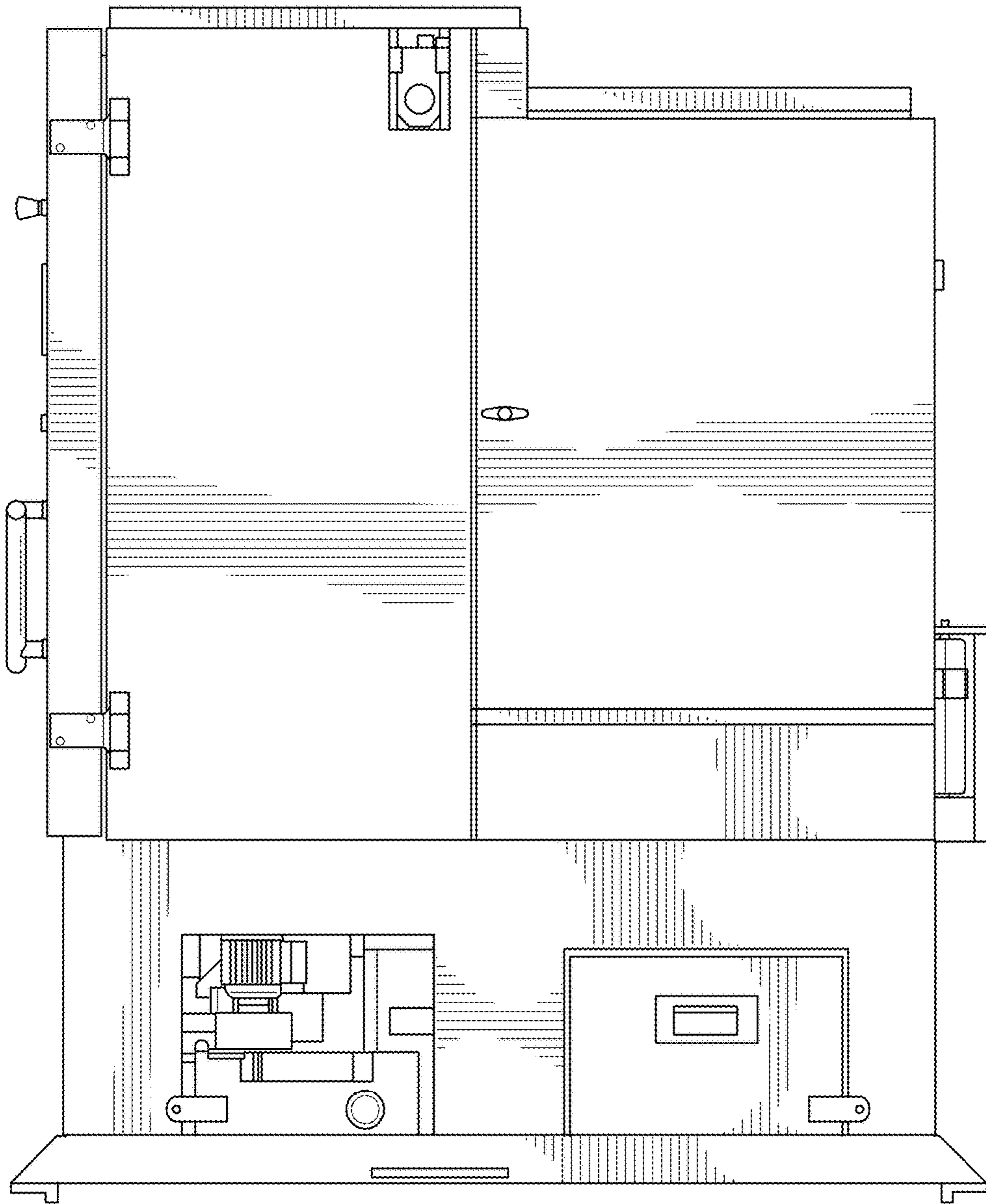


FIG. 5

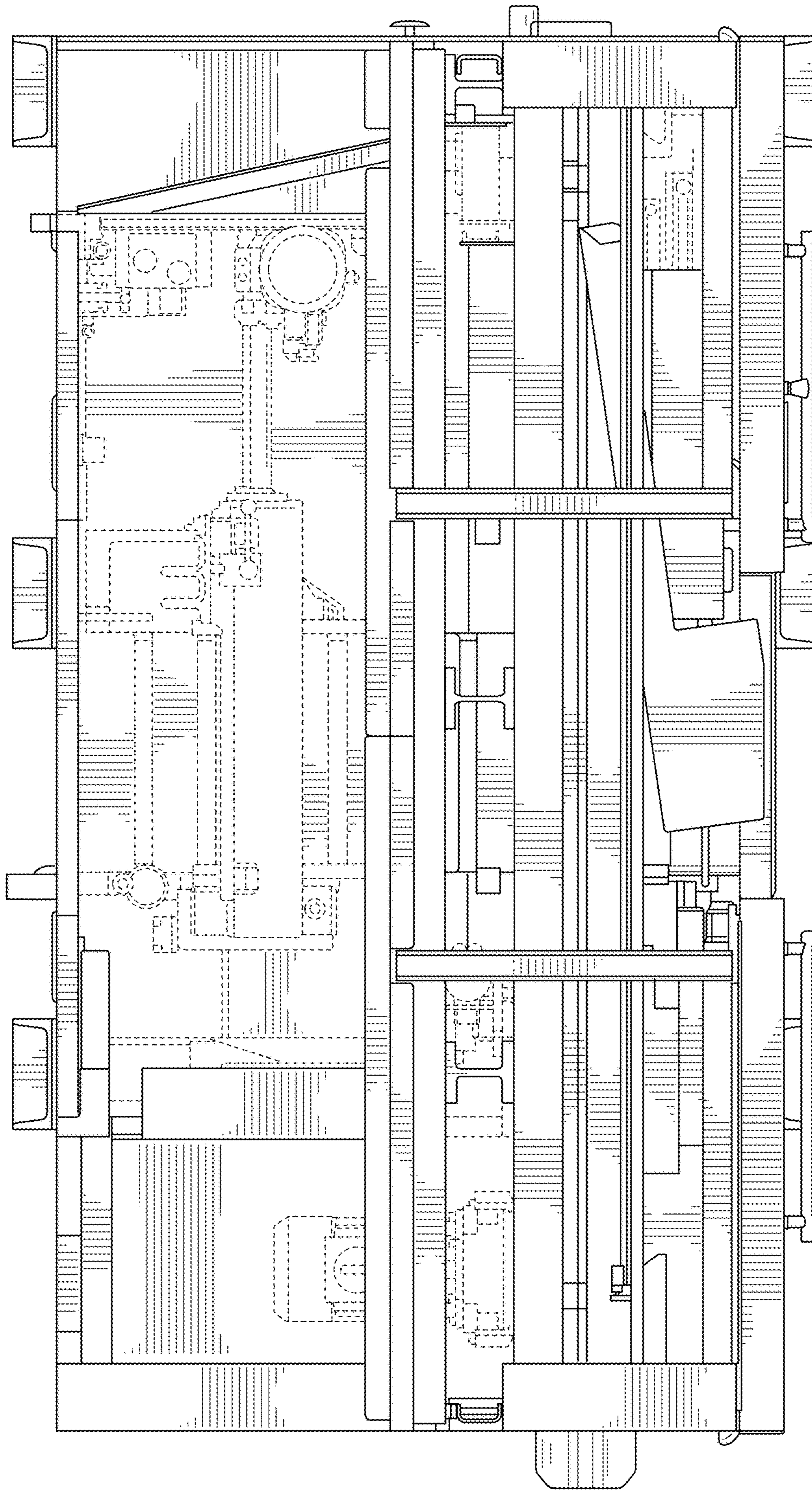


FIG. 6

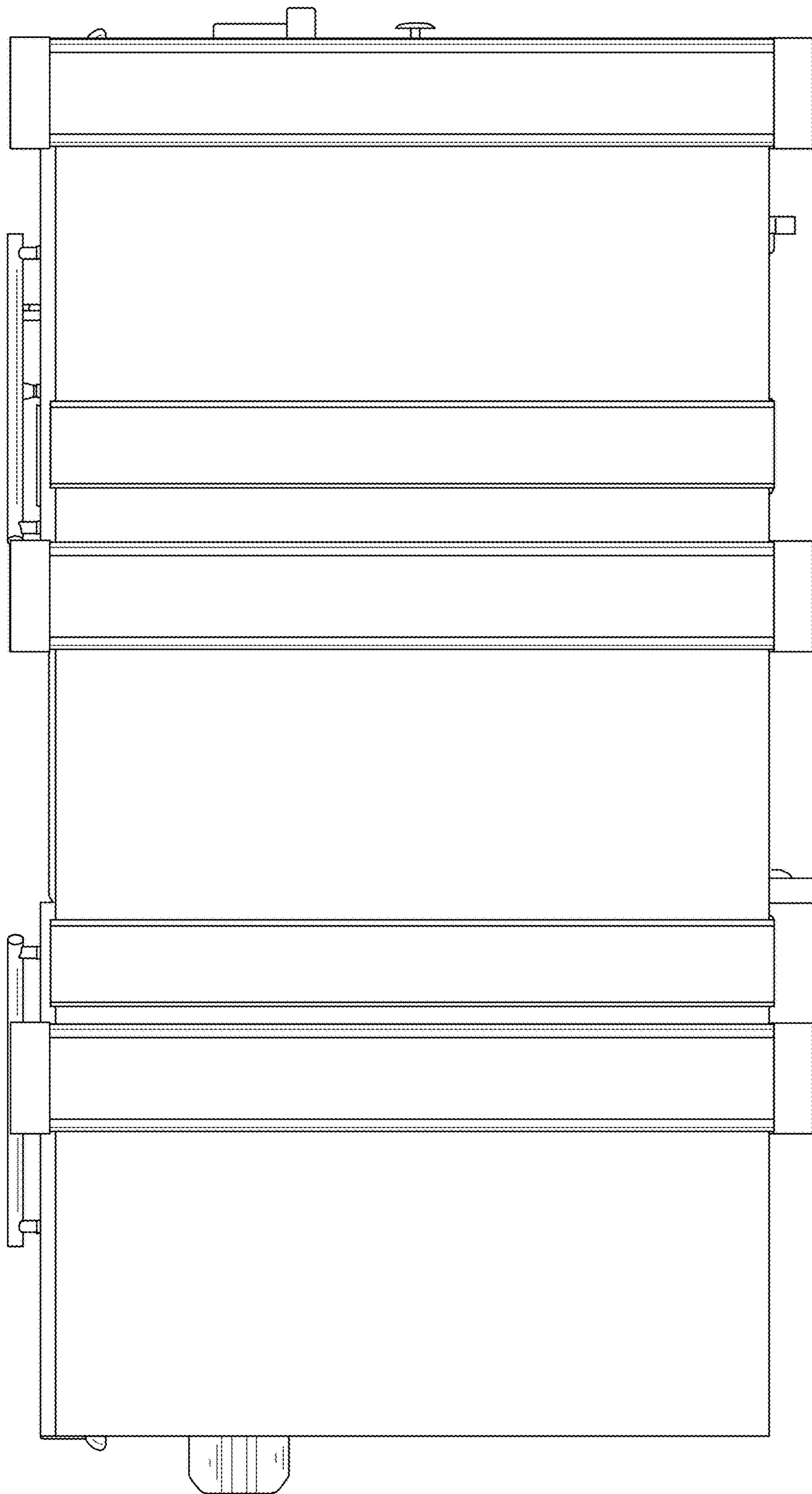


FIG. 7

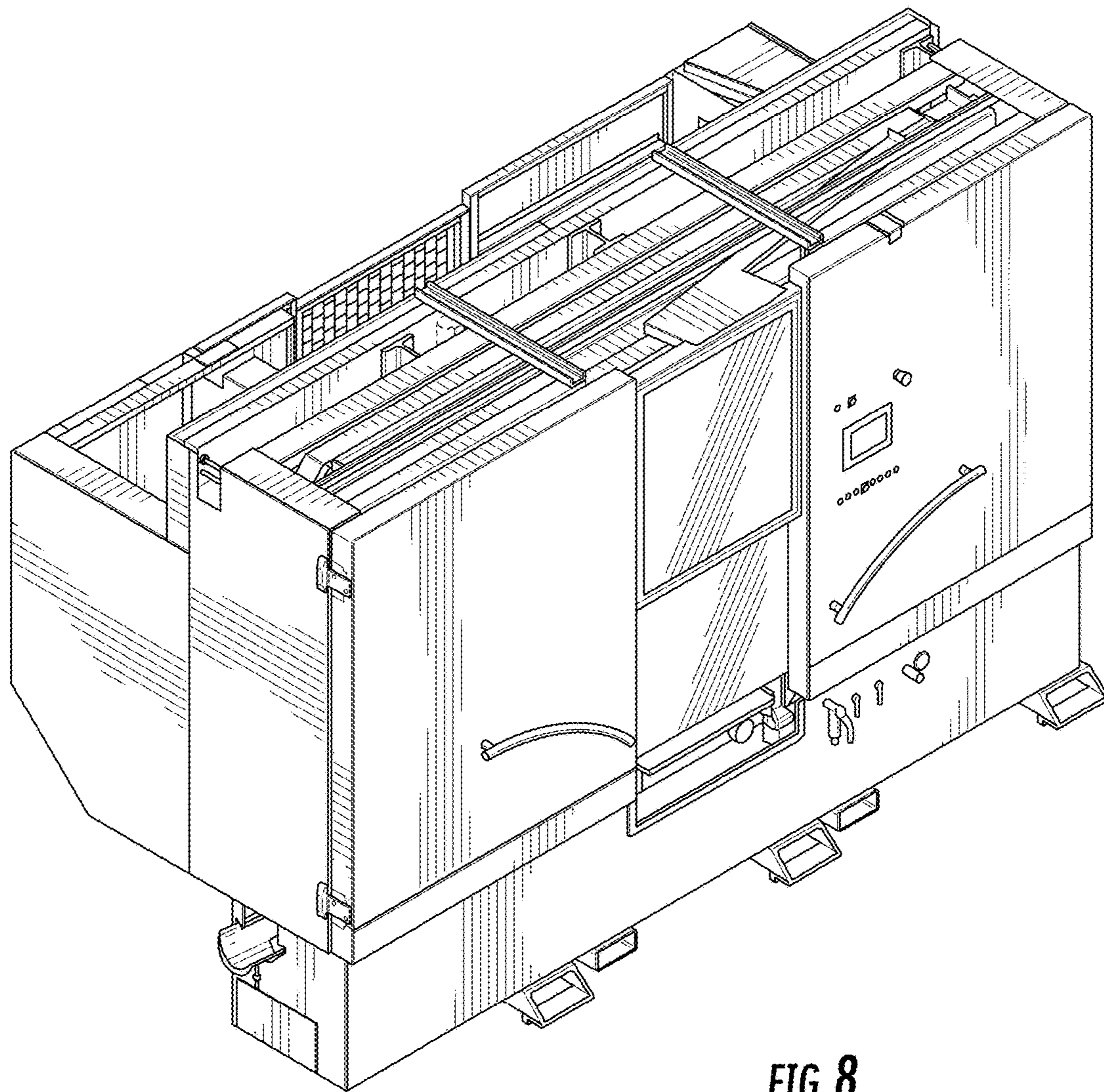


FIG. 8

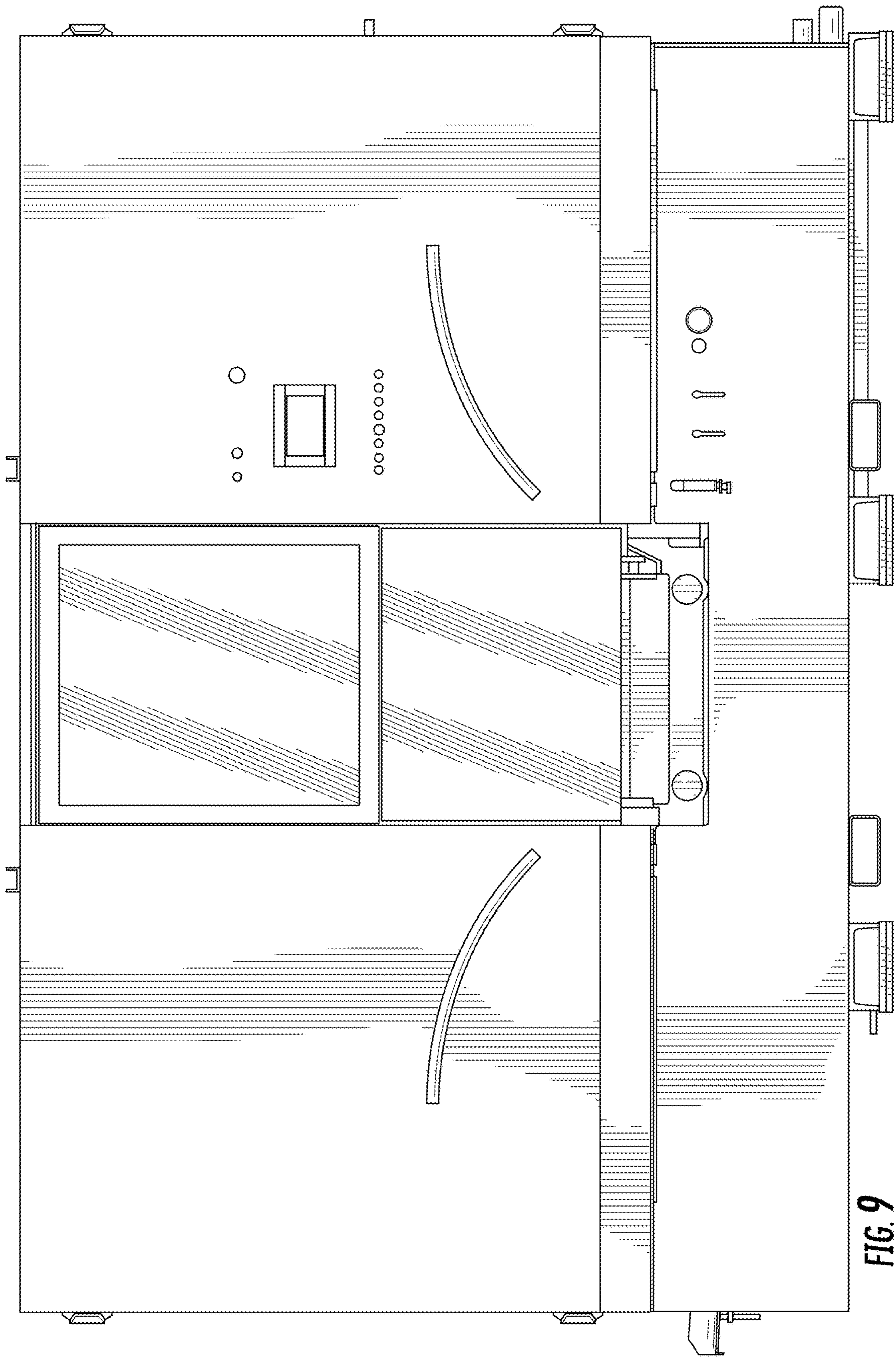
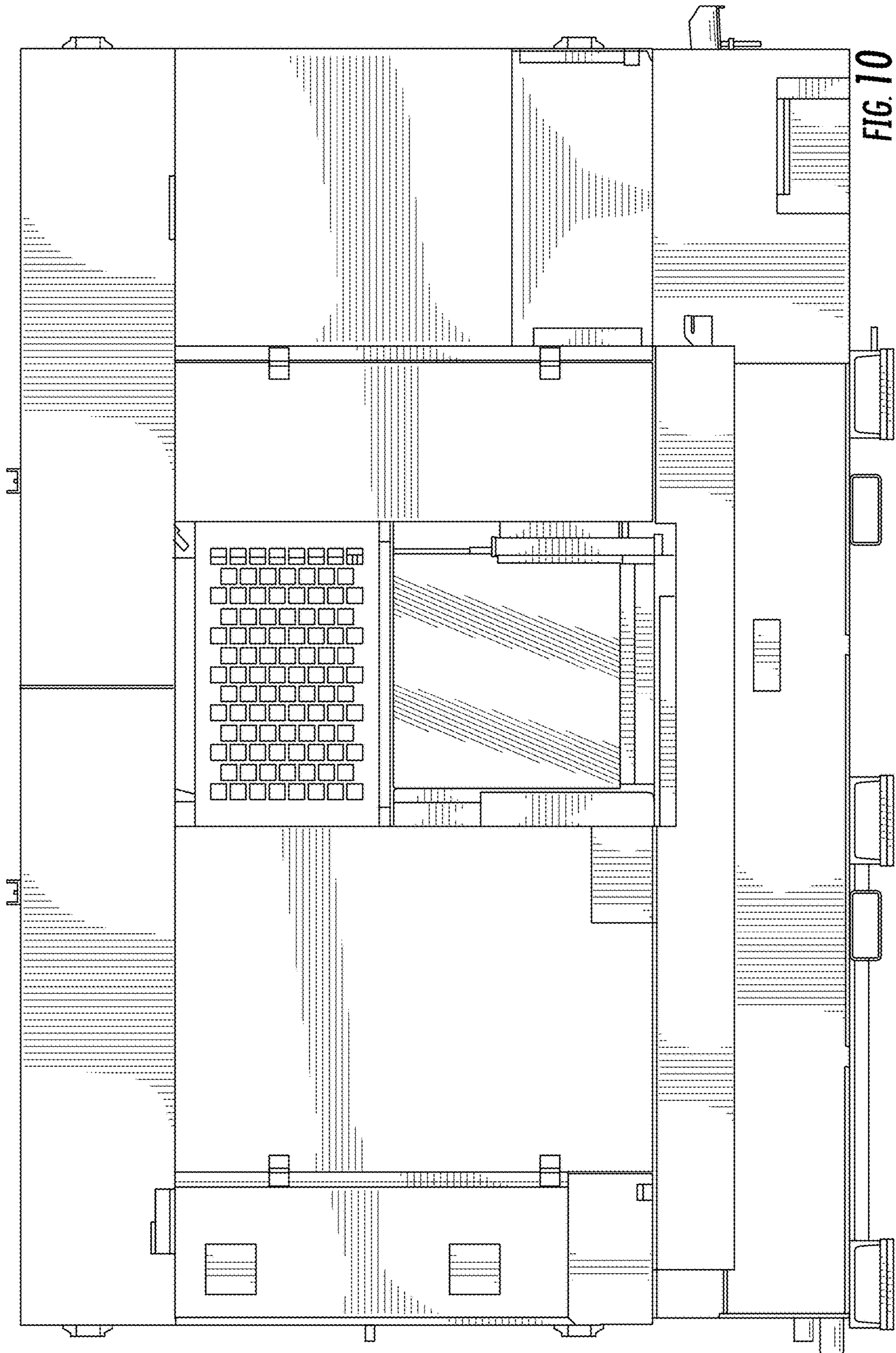


FIG. 9



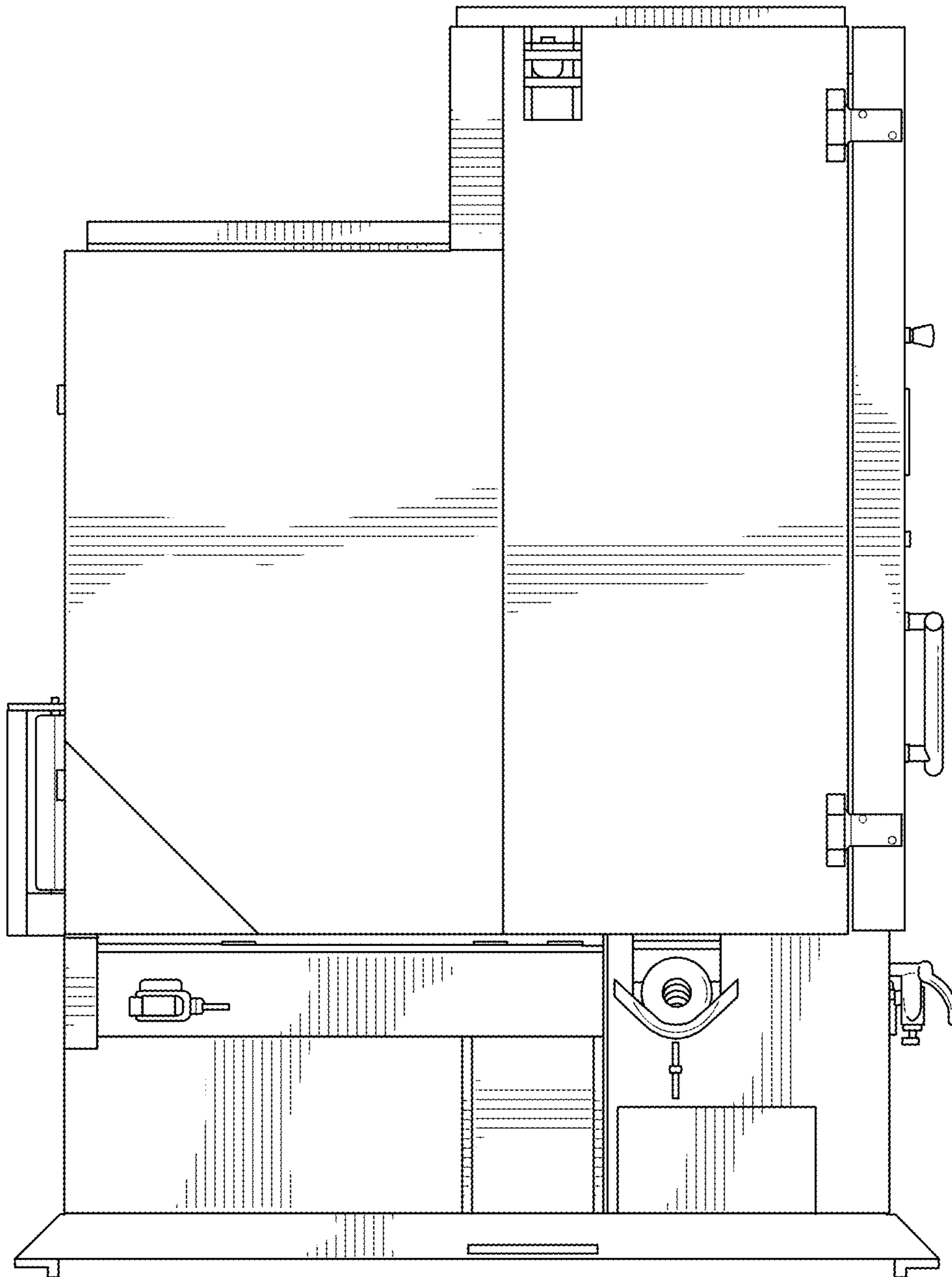


FIG. 11

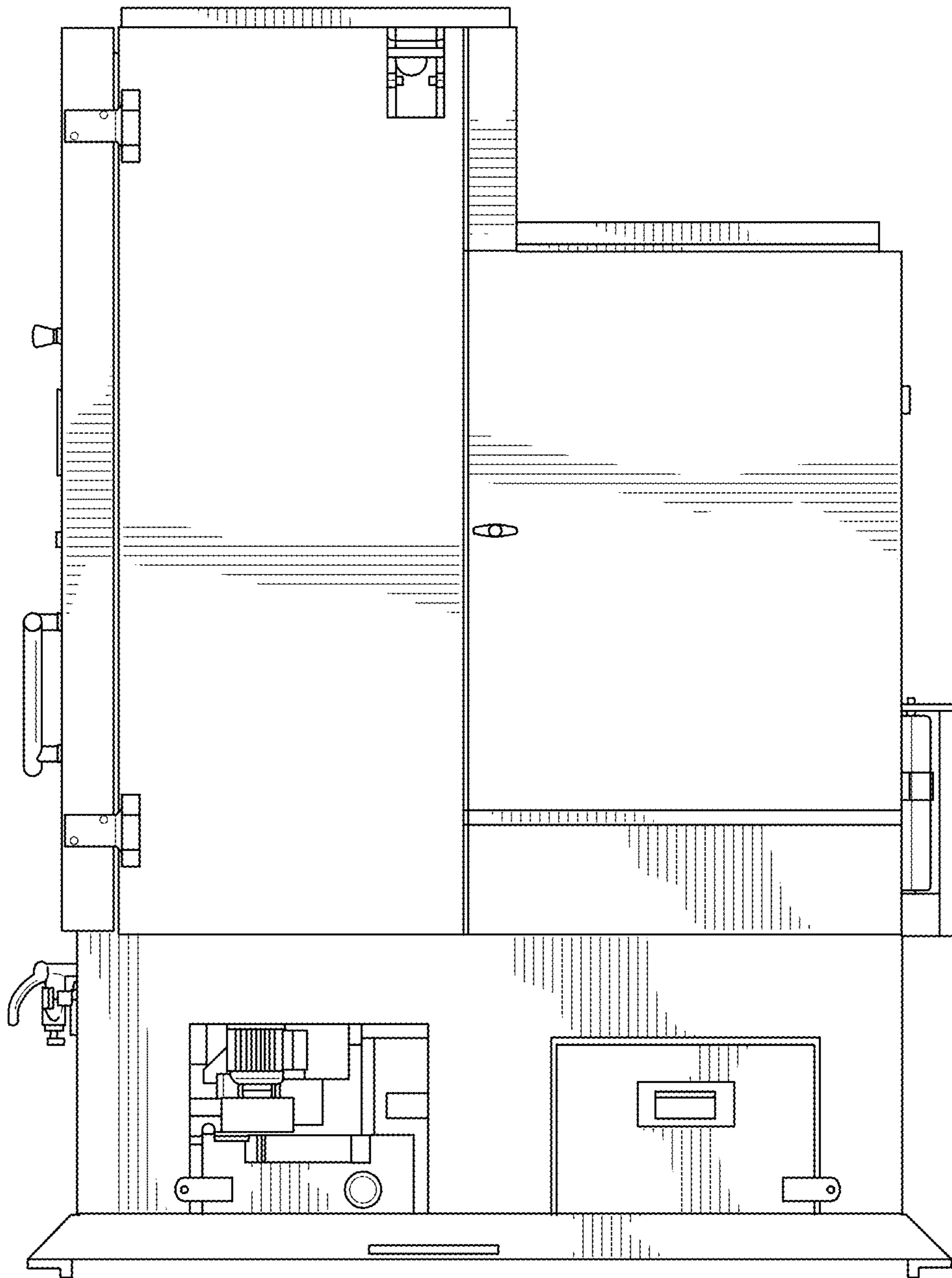


FIG. 12

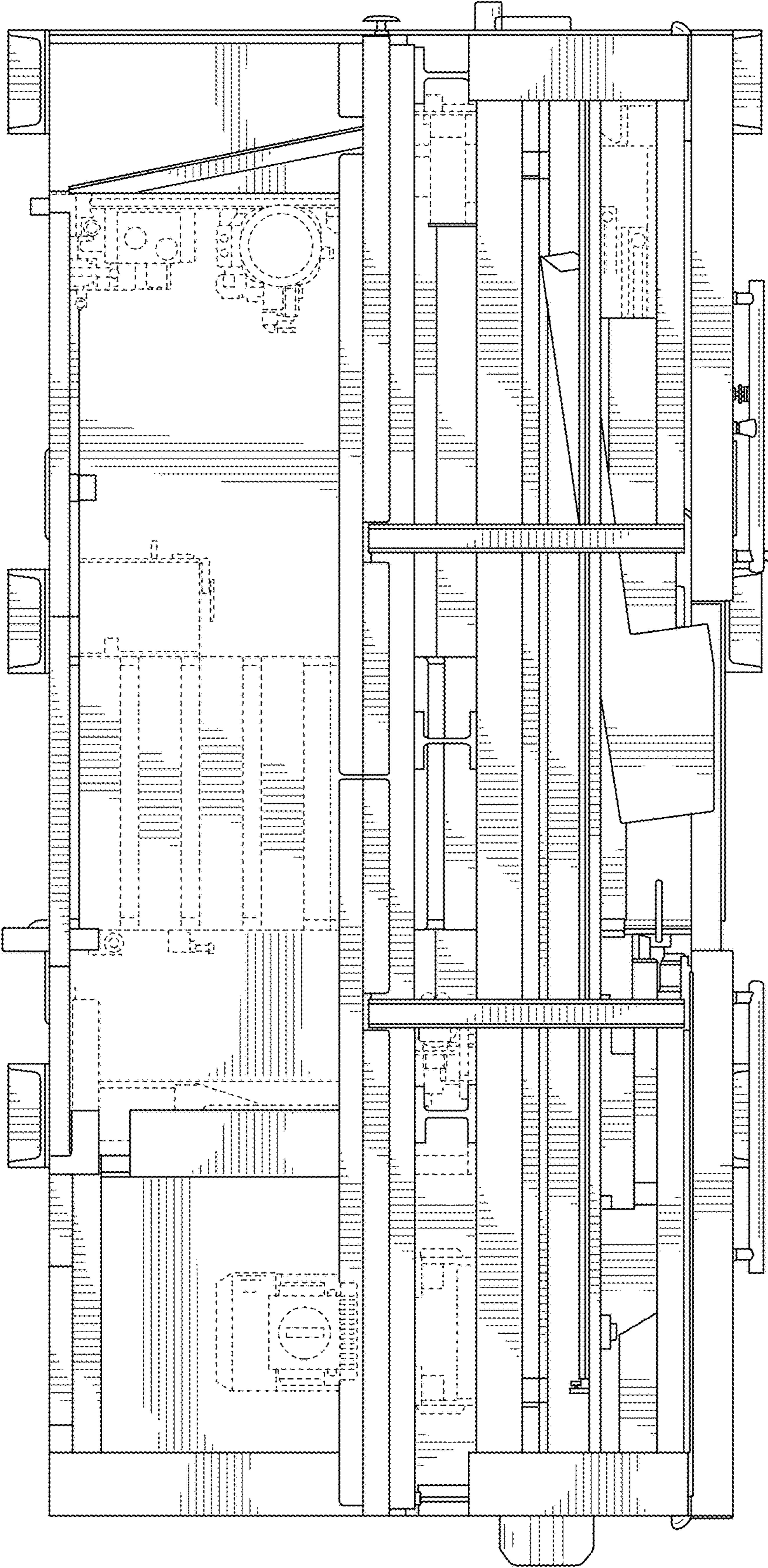


FIG. 13

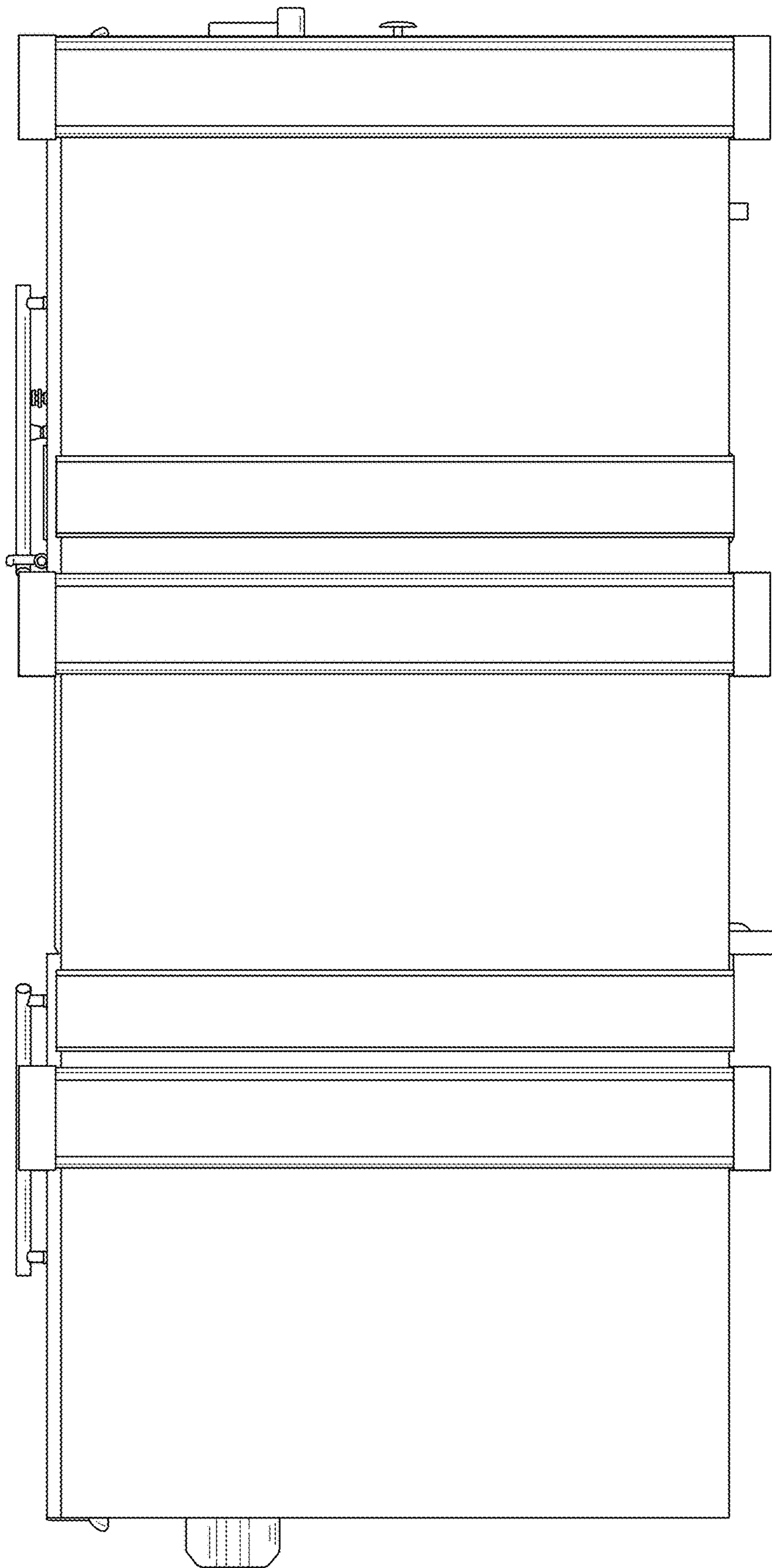


FIG. 14