



US00D781358S

(12) **United States Design Patent** (10) **Patent No.:** **US D781,358 S**
Pichler et al. (45) **Date of Patent:** **** Mar. 14, 2017**

(54) **PLASTIC PROCESSING MACHINES**

CPC B29C 45/14; B29B 7/84; B29B 9/02
See application file for complete search history.

(71) Applicant: **NEXT GENERATION
RECYCLINGMASCHINEN GMBH,**
Feldkirchen an der Donau (AT)

(56) **References Cited**

U.S. PATENT DOCUMENTS

(72) Inventors: **Thomas Pichler**, St. Peter am Wimberg
(AT); **Bernhard Pichler**, St. Peter am
Wimberg (AT); **David Hehenberger**,
Haslach an der Mühl (AT); **Helmut
Behoun**, St. Valentin (AT)

4,636,085 A * 1/1987 Kopernicky B29B 7/847
366/139
5,565,053 A * 10/1996 Happich B29C 45/14196
156/216
5,606,140 A * 2/1997 Skinner B29B 9/06
264/142
D695,324 S * 12/2013 Ballweg D15/122
D721,393 S * 1/2015 Hawran D15/122

(73) Assignee: **NEXT GENERATION
RECYCLINGMASCHINEN GMBH,**
Feldkirchen an der Donau (AT)

* cited by examiner

(**) Term: **15 Years**

Primary Examiner — George D Kirschbaum

(21) Appl. No.: **35/500,245**

(74) *Attorney, Agent, or Firm* — Collard & Roe, P.C.

(22) Filed: **Sep. 11, 2015**

(57) **CLAIM**

The ornamental design for a plastic processing machine, as
shown and described.

(80) **Hague Agreement Data**

Int. Filing Date: **Sep. 11, 2015**
Int. Reg. No.: **DM/087966**
Int. Reg. Date: **Sep. 11, 2015**
Int. Reg. Pub. Date: **Nov. 6, 2015**

DESCRIPTION

(30) **Foreign Application Priority Data**

Mar. 23, 2015 (EM) 002665075

(51) **LOC (10) Cl.** **15-09**

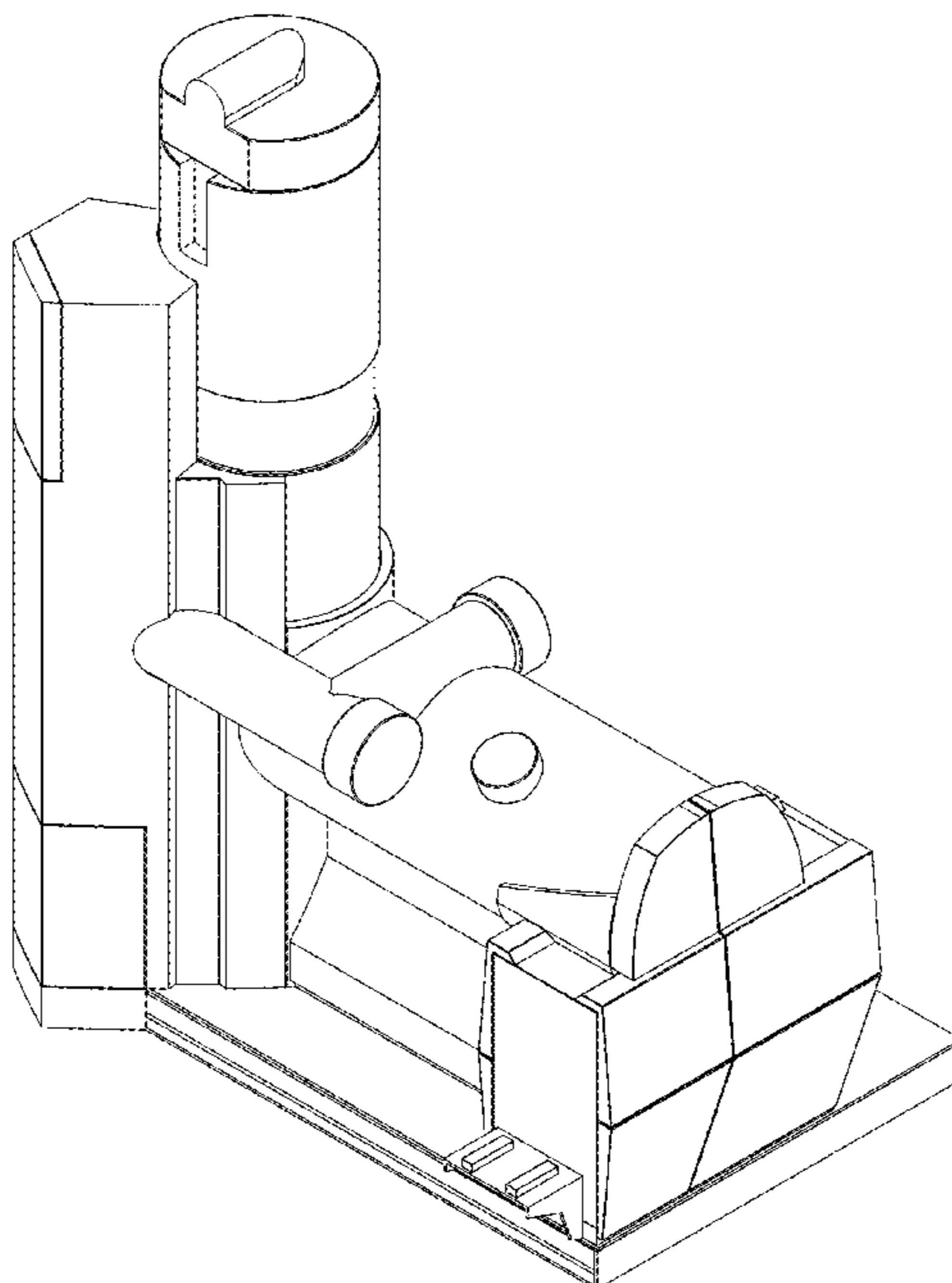
(52) **U.S. Cl.**
USPC **D15/122**

(58) **Field of Classification Search**
USPC D15/122

1. Plastic processing machines
1.1 : Perspective
1.2 : Perspective
1.3 : Left
1.4 : Right
1.5 : Front
1.6 : Top
1.7 : Back

The areas shown in broken lines form no part of the claimed
design.

1 Claim, 7 Drawing Sheets



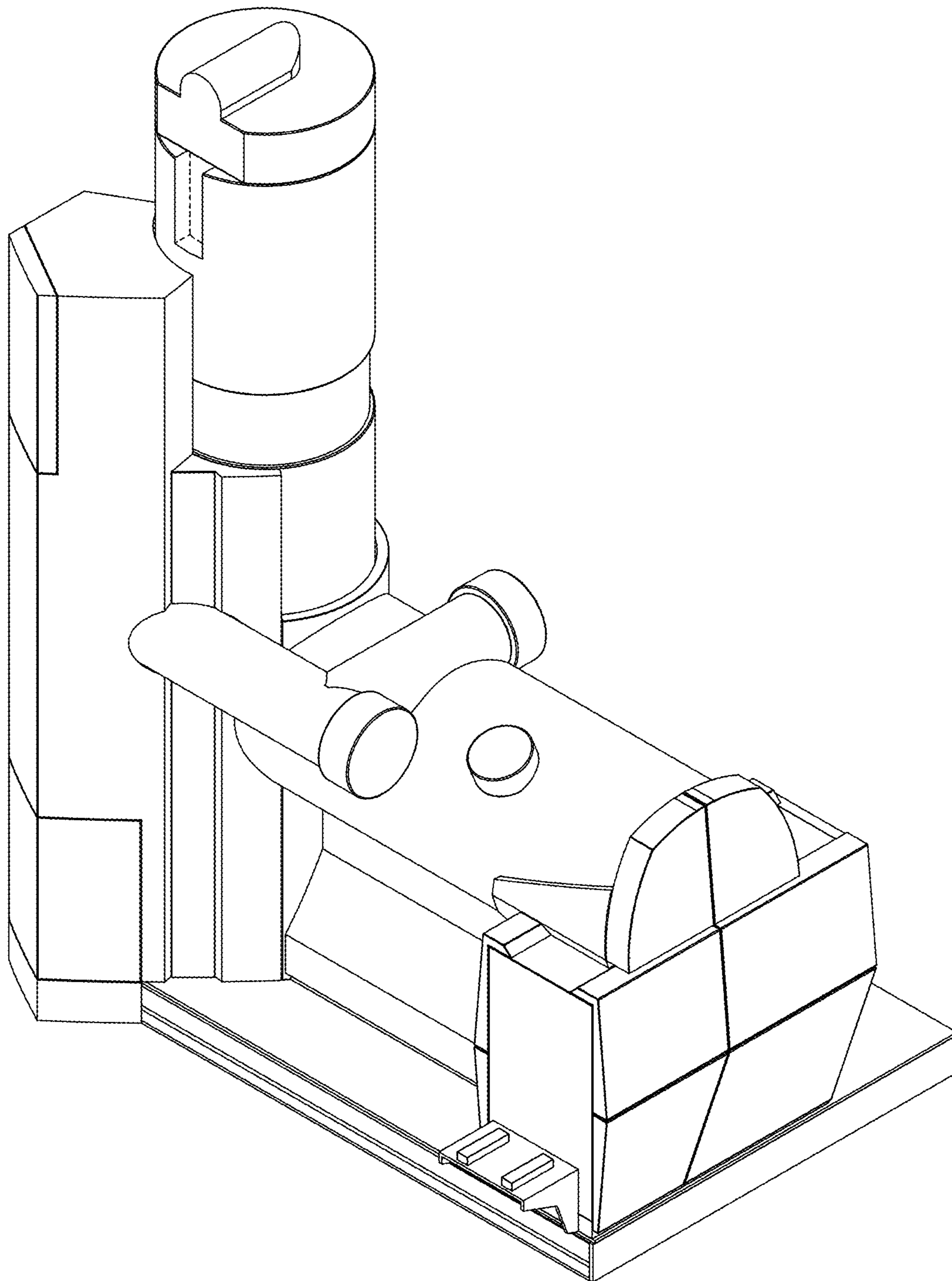


FIG. 1.1

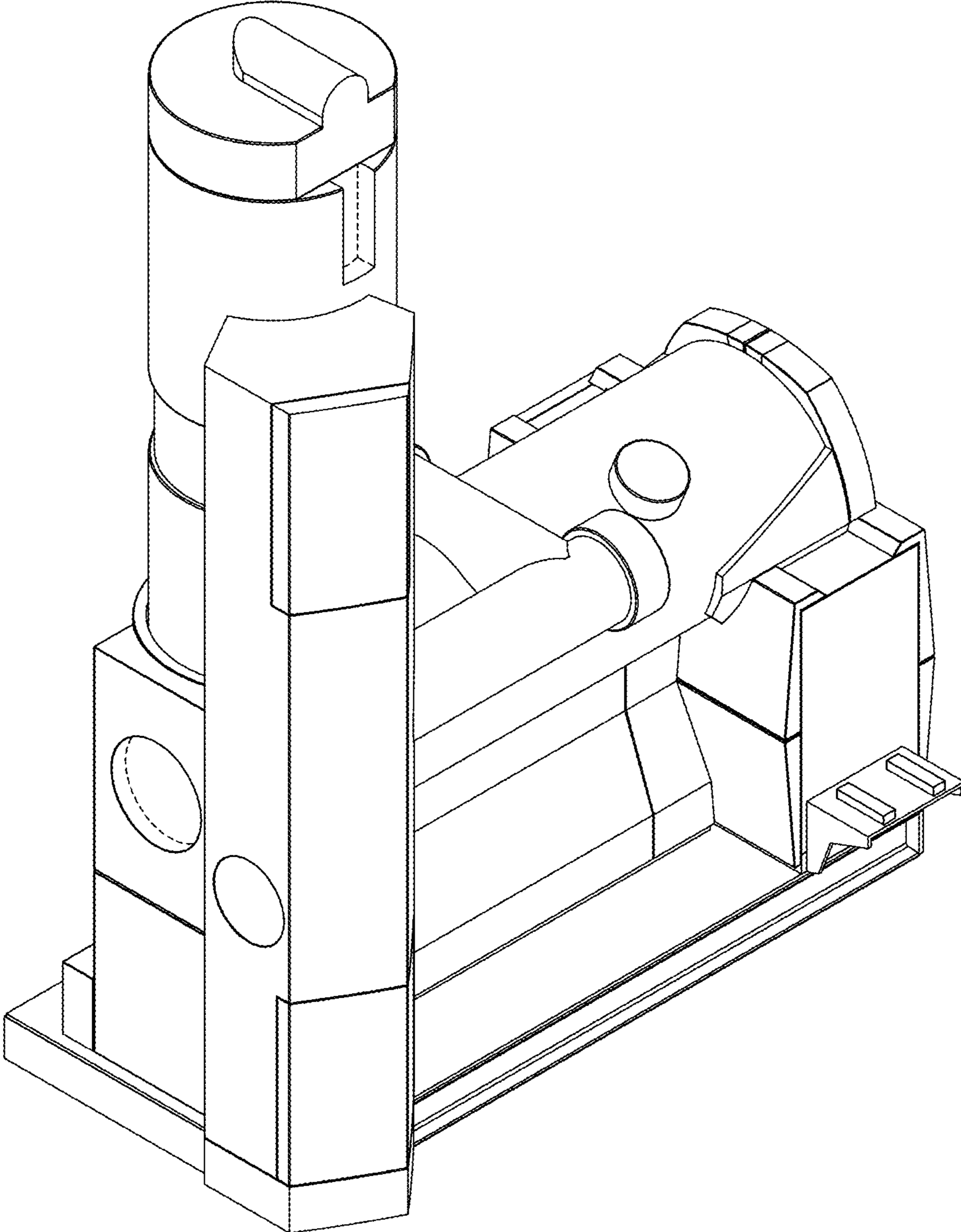


FIG. 1.2

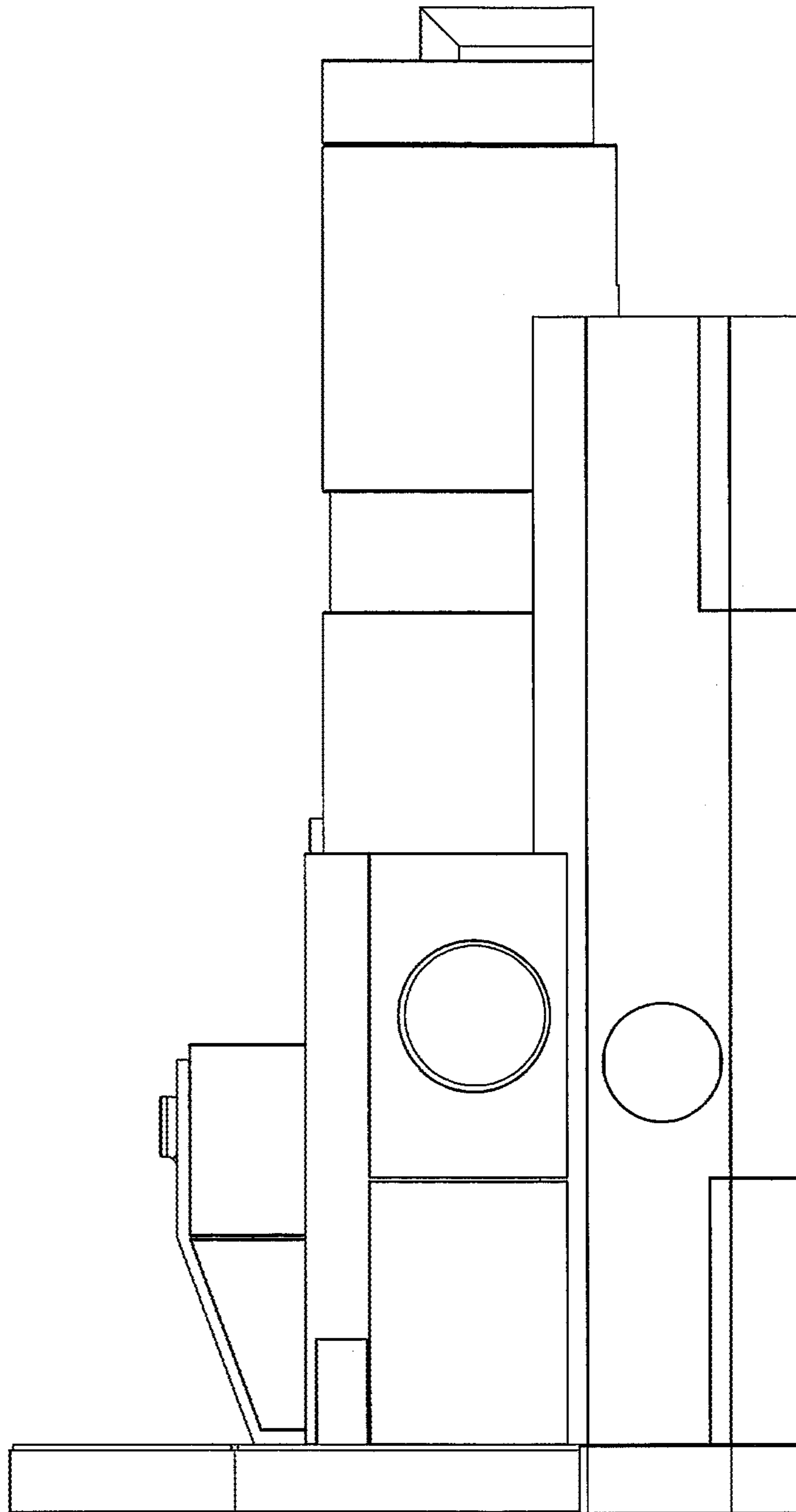


FIG. 1.3

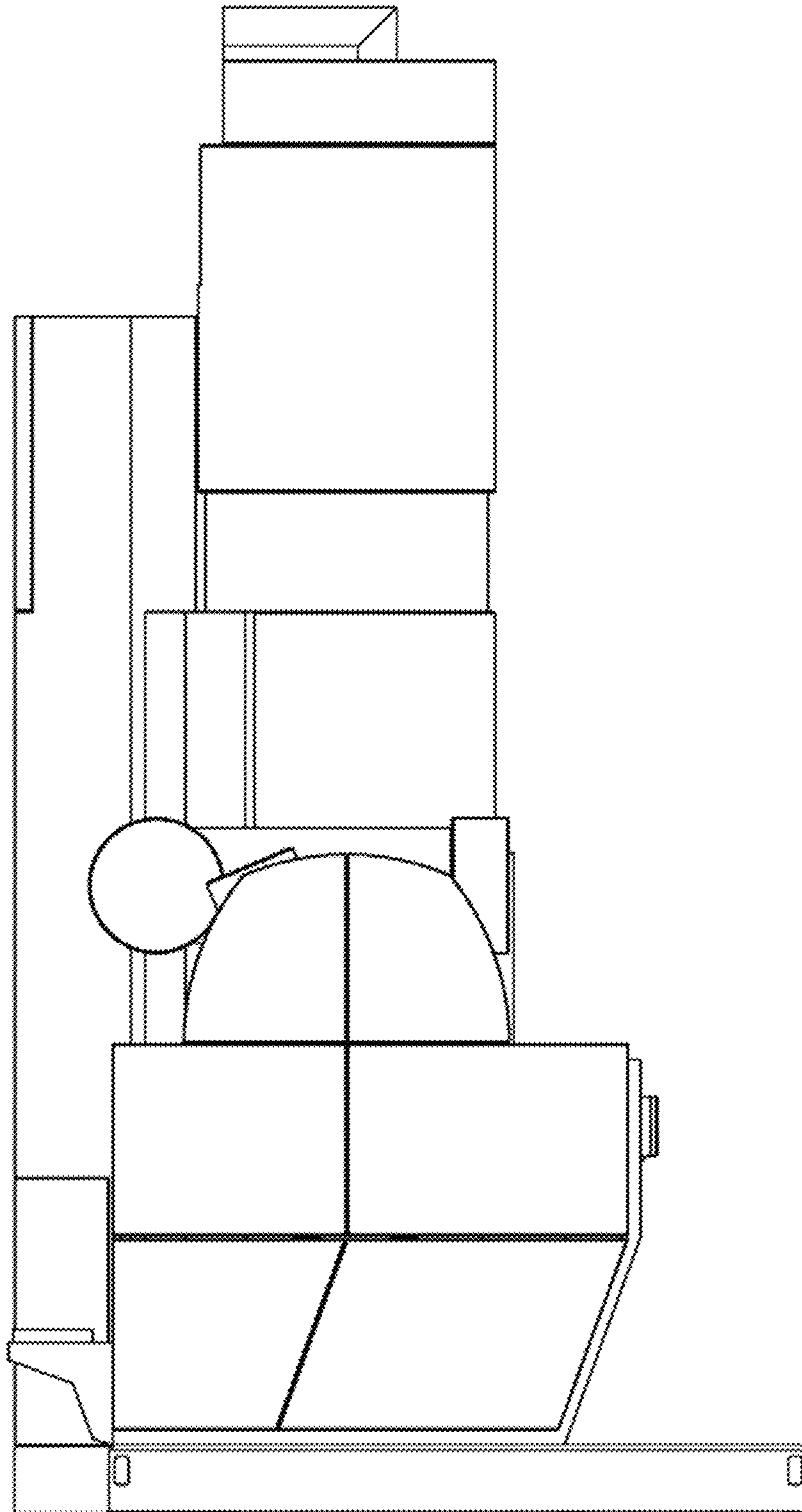


FIG. 1.4

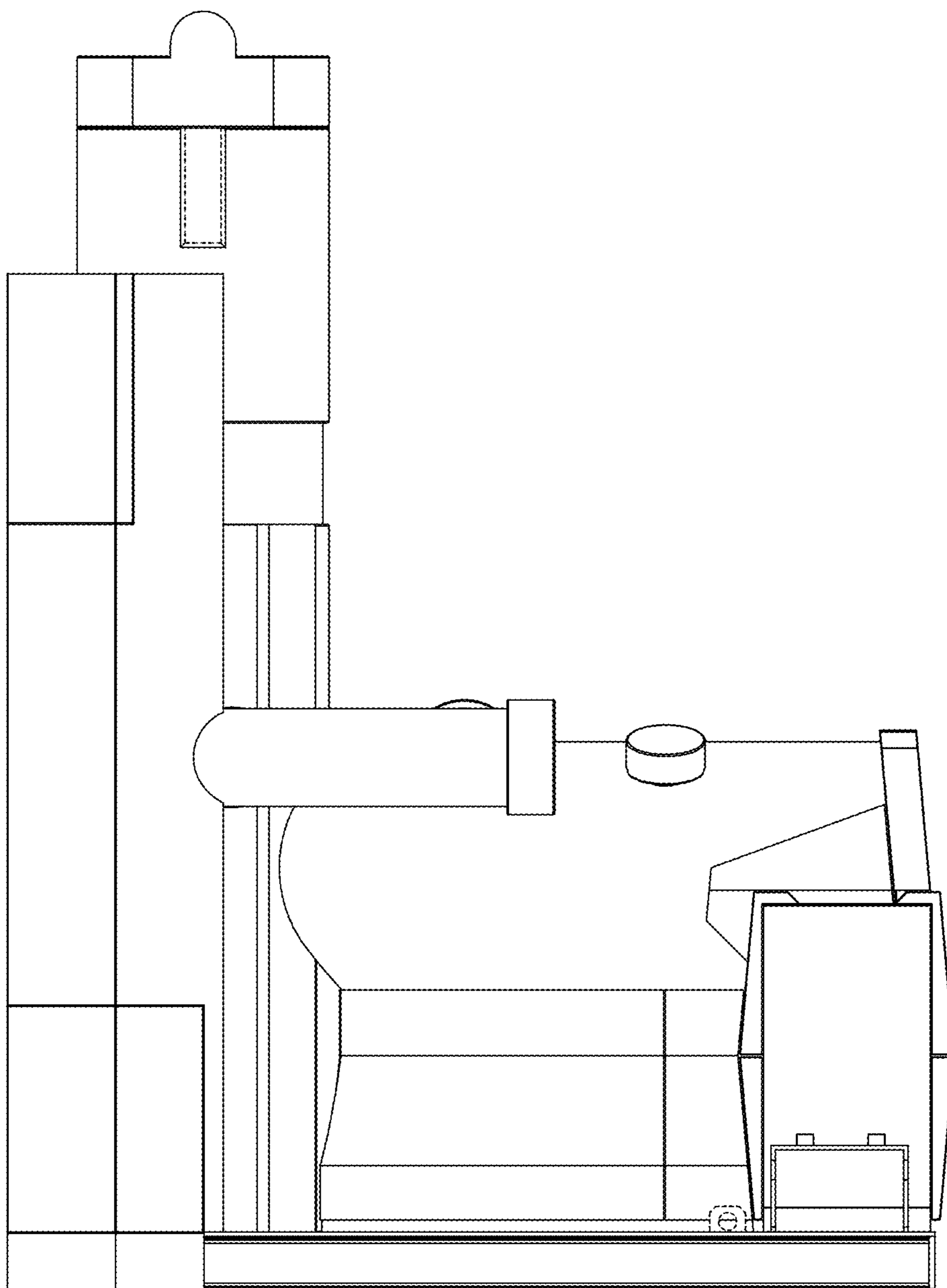


FIG. 1.5

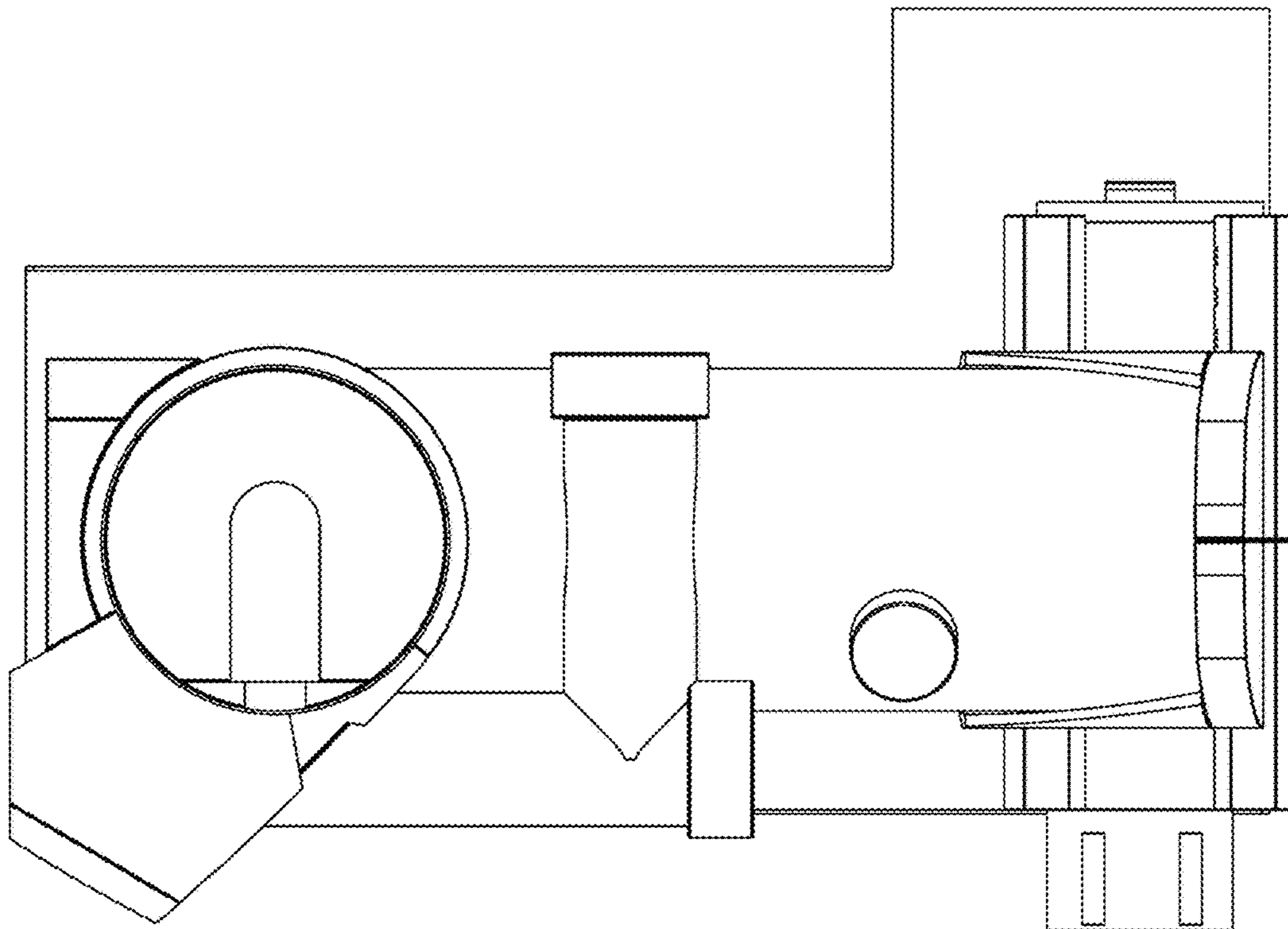


FIG. 1.6

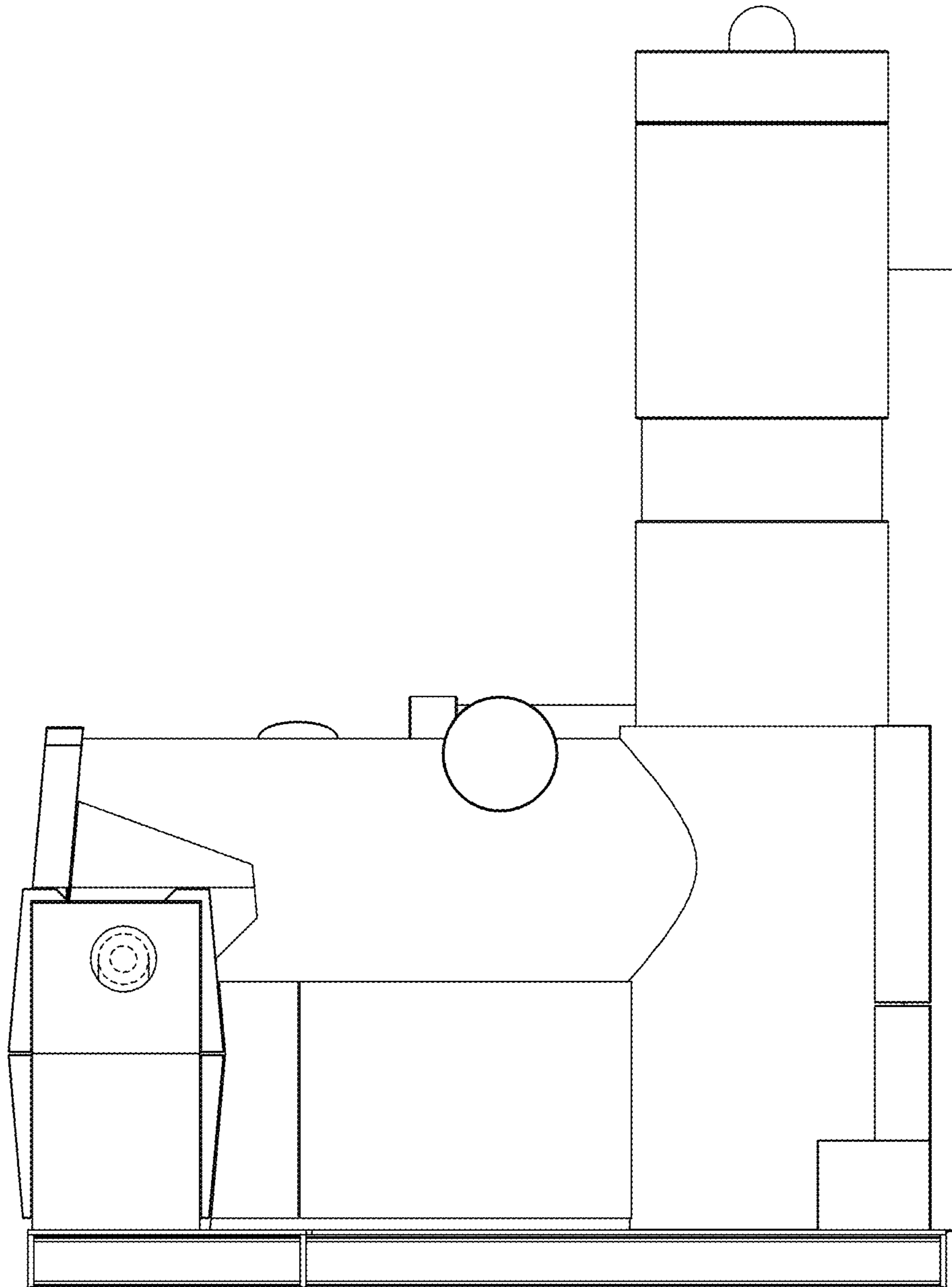


FIG. 1.7