



US00D781357S

(12) **United States Design Patent**
Inaba et al.

(10) **Patent No.:** **US D781,357 S**

(45) **Date of Patent:** **** Mar. 14, 2017**

(54) **MACHINE TOOL**

(71) Applicant: **FANUC CORPORATION,**
Minamitsuru-gun, Yamanashi (JP)

(72) Inventors: **Harutora Inaba,** Yamanashi (JP);
Takeshi Ooki, Yamanashi (JP)

(73) Assignee: **Fanuc Corporation,** Yamanashi (JP)

(**) Term: **15 Years**

(21) Appl. No.: **29/559,513**

(22) Filed: **Mar. 29, 2016**

(30) **Foreign Application Priority Data**

Sep. 30, 2015 (JP) 2015-021542

(51) **LOC (10) Cl.** **15-09**

(52) **U.S. Cl.**
USPC **D15/122**

(58) **Field of Classification Search**
USPC ... D15/122, 124, 126, 127, 130, 131; 29/30,
29/39, 50, 563-566, 564.1-564.8;
483/17-57
See application file for complete search history.

(56) **References Cited**

U.S. PATENT DOCUMENTS

D265,912 S *	8/1982	Frenkel	D15/138
D319,834 S *	9/1991	Rutschle	D15/131
D445,807 S *	7/2001	Baulk	D15/127
D472,250 S *	3/2003	Mariotta	D15/127
D620,508 S *	7/2010	Jacquet	D15/122
D627,375 S *	11/2010	Jacquet	D15/122
D638,449 S *	5/2011	Schindler	D15/122
D651,620 S *	1/2012	Schindler	D15/122
D654,099 S *	2/2012	Schindler	D15/122

D671,969 S *	12/2012	Yang	D15/122
D680,563 S *	4/2013	Yang	D15/122
D696,315 S *	12/2013	Schmid	D15/122
D726,789 S *	4/2015	Schmid	D15/122
D745,070 S *	12/2015	Schindler	D15/122
D759,736 S *	6/2016	Huang	D15/122
2008/0168860 A1 *	7/2008	Nishi	B23Q 11/0891 74/616
2008/0228313 A1 *	9/2008	Hyatt	B23B 29/26 700/160

(Continued)

FOREIGN PATENT DOCUMENTS

JP	D1183060	8/2003
TW	D118227	7/2007
TW	M353791	4/2009

OTHER PUBLICATIONS

Notice of Allowance issued in Taiwan Patent Application No. 105301602 dated Oct. 25, 2016 (3 pages).

Primary Examiner — Patricia Palasik

(74) *Attorney, Agent, or Firm* — RatnerPrestia

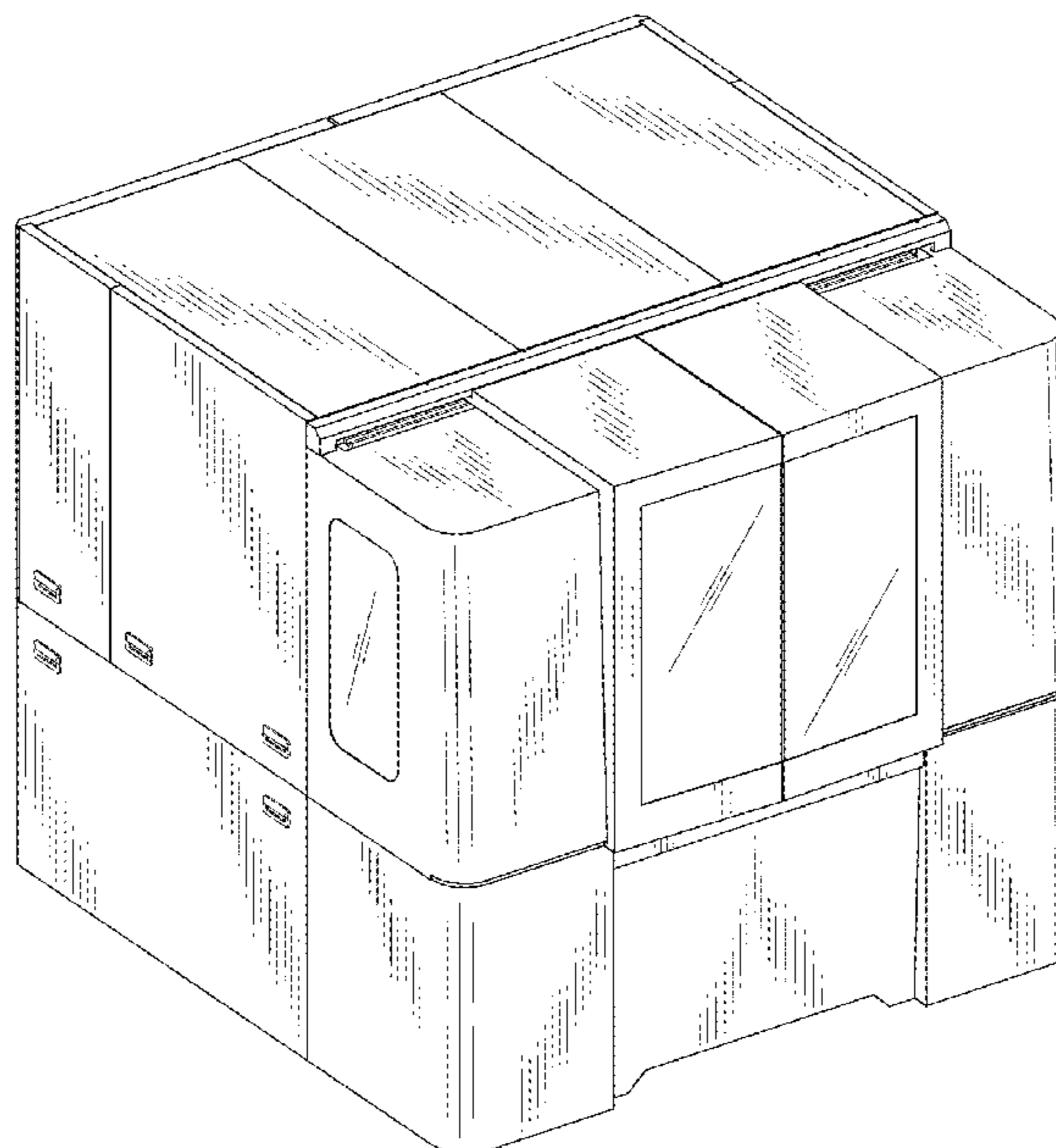
(57) **CLAIM**

The ornamental design for a machine tool, as shown and described.

DESCRIPTION

FIG. 1 is a perspective view of a machine tool showing our new design;
FIG. 2 is a front elevational view thereof;
FIG. 3 is a left side elevational view thereof;
FIG. 4 is a right side elevational view thereof;
FIG. 5 is a rear elevational view thereof; and,
FIG. 6 is a top plan view thereof.

1 Claim, 6 Drawing Sheets



(56)

References Cited

U.S. PATENT DOCUMENTS

2013/0277169 A1* 10/2013 Nakayasu B23Q 11/0891
192/129 A
2014/0069609 A1* 3/2014 Caihuzac B23Q 11/128
165/67
2014/0150533 A1* 6/2014 Ono G01M 3/3272
73/46
2014/0377028 A1* 12/2014 Inaguchi B23Q 11/0042
409/134
2015/0252604 A1* 9/2015 Inaguchi F16P 1/02
49/409
2016/0167187 A1* 6/2016 Burkhardt B23Q 3/155
409/172
2016/0178432 A1* 6/2016 Masakawa G01J 1/42
250/216
2016/0184947 A1* 6/2016 Ito B23Q 11/0046
15/319
2016/0224009 A1* 8/2016 Seitz G05B 19/409

* cited by examiner

FIG. 1

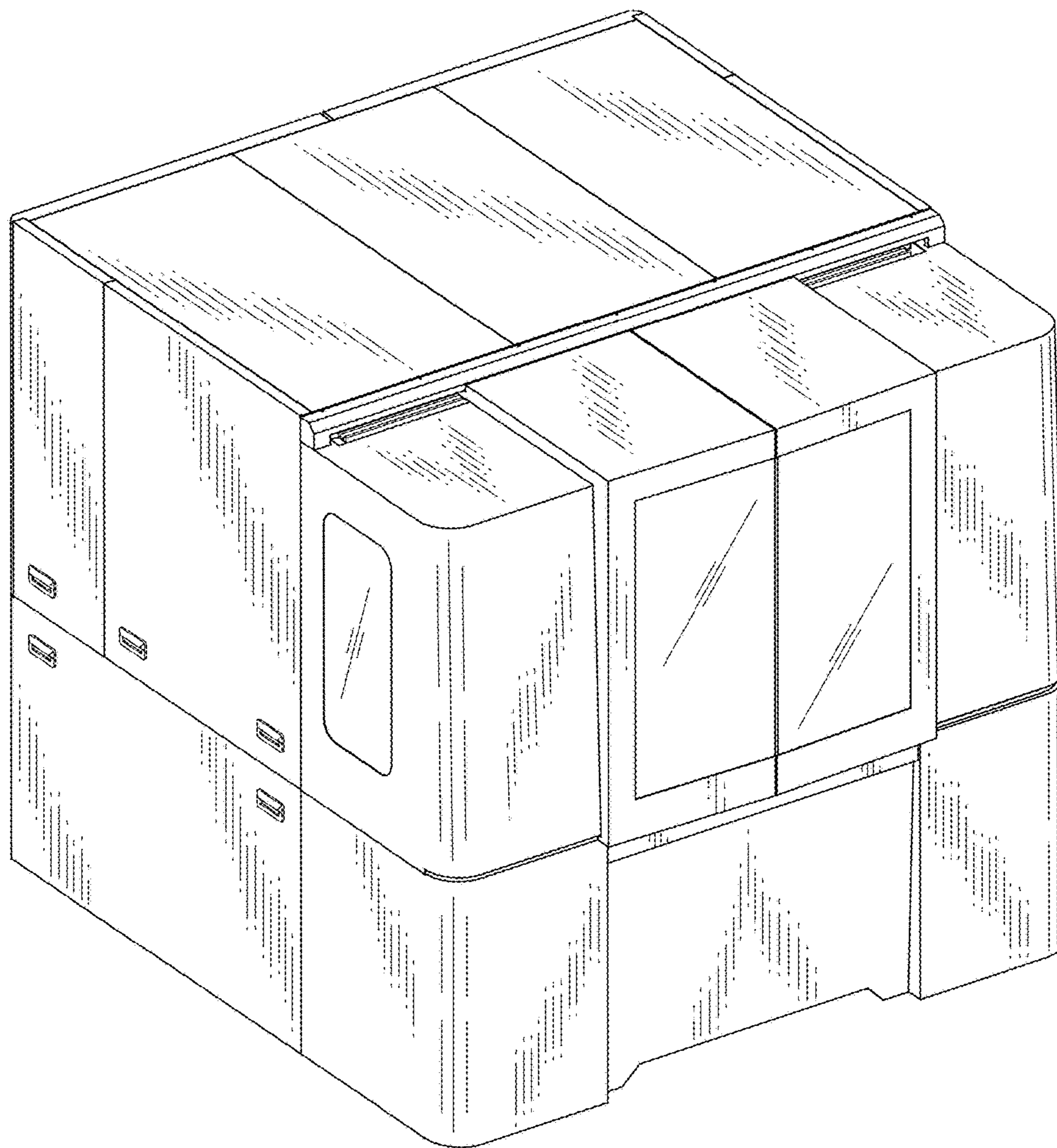


FIG. 2

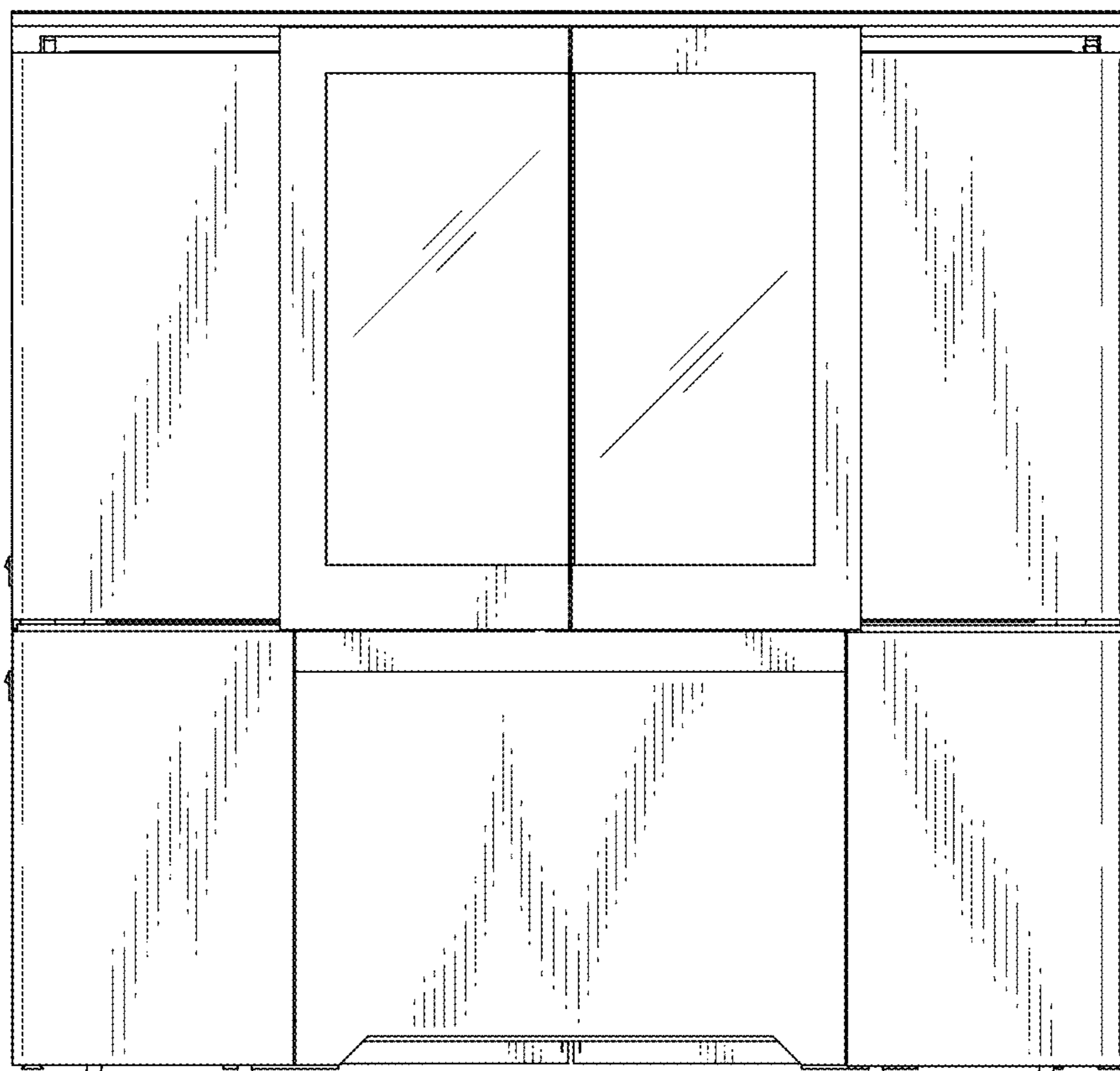


FIG. 3

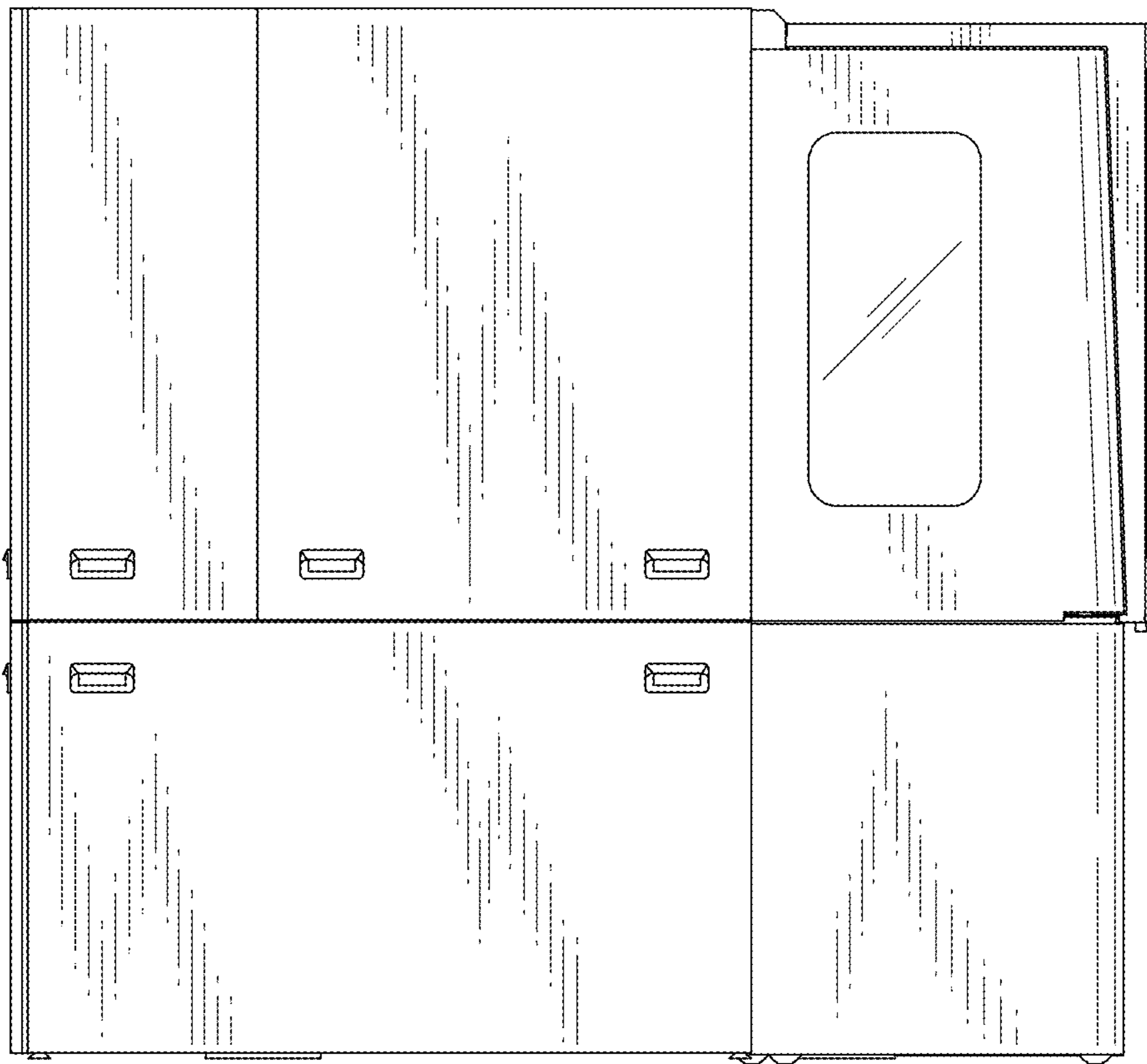


FIG. 4

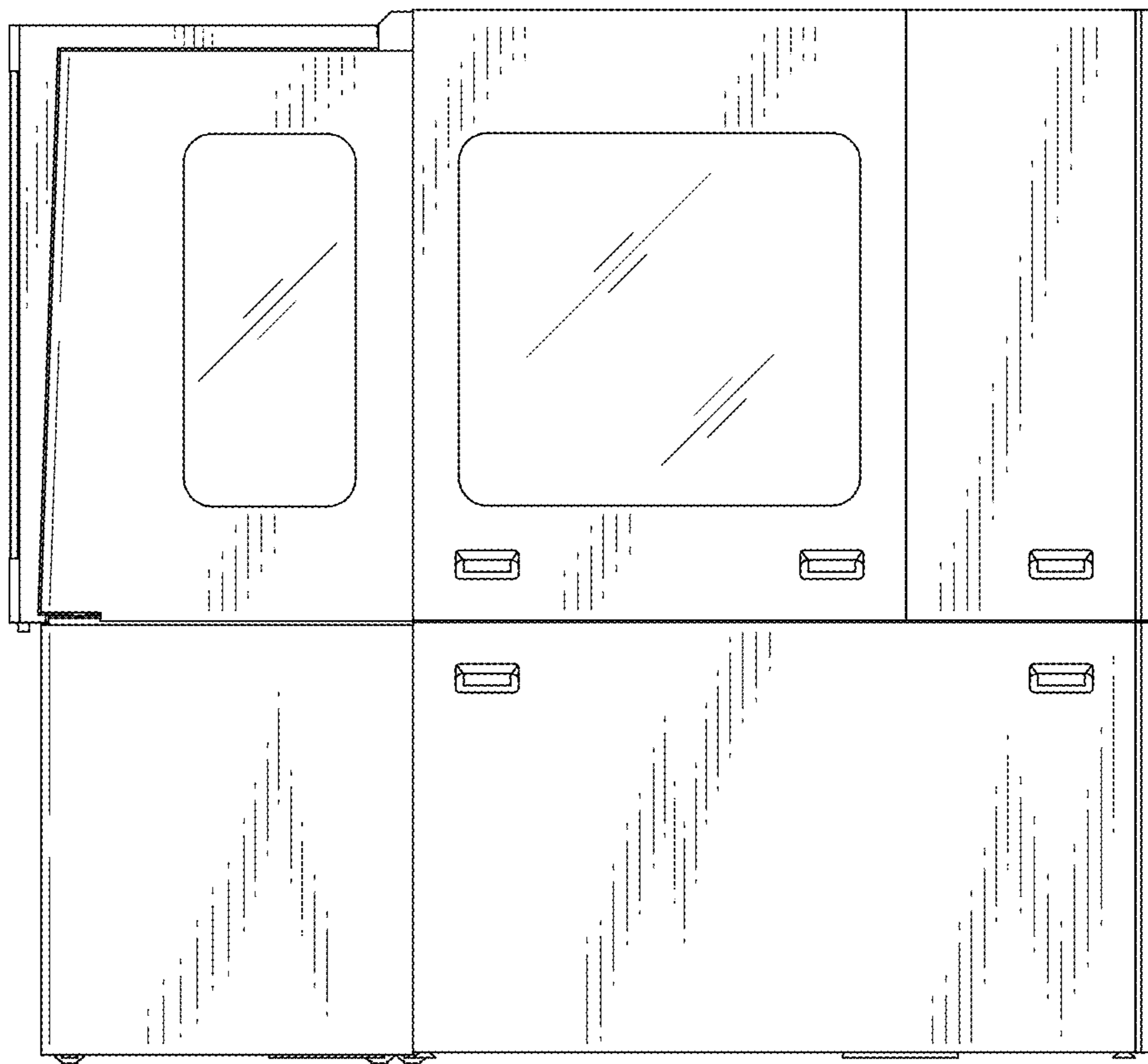


FIG. 5

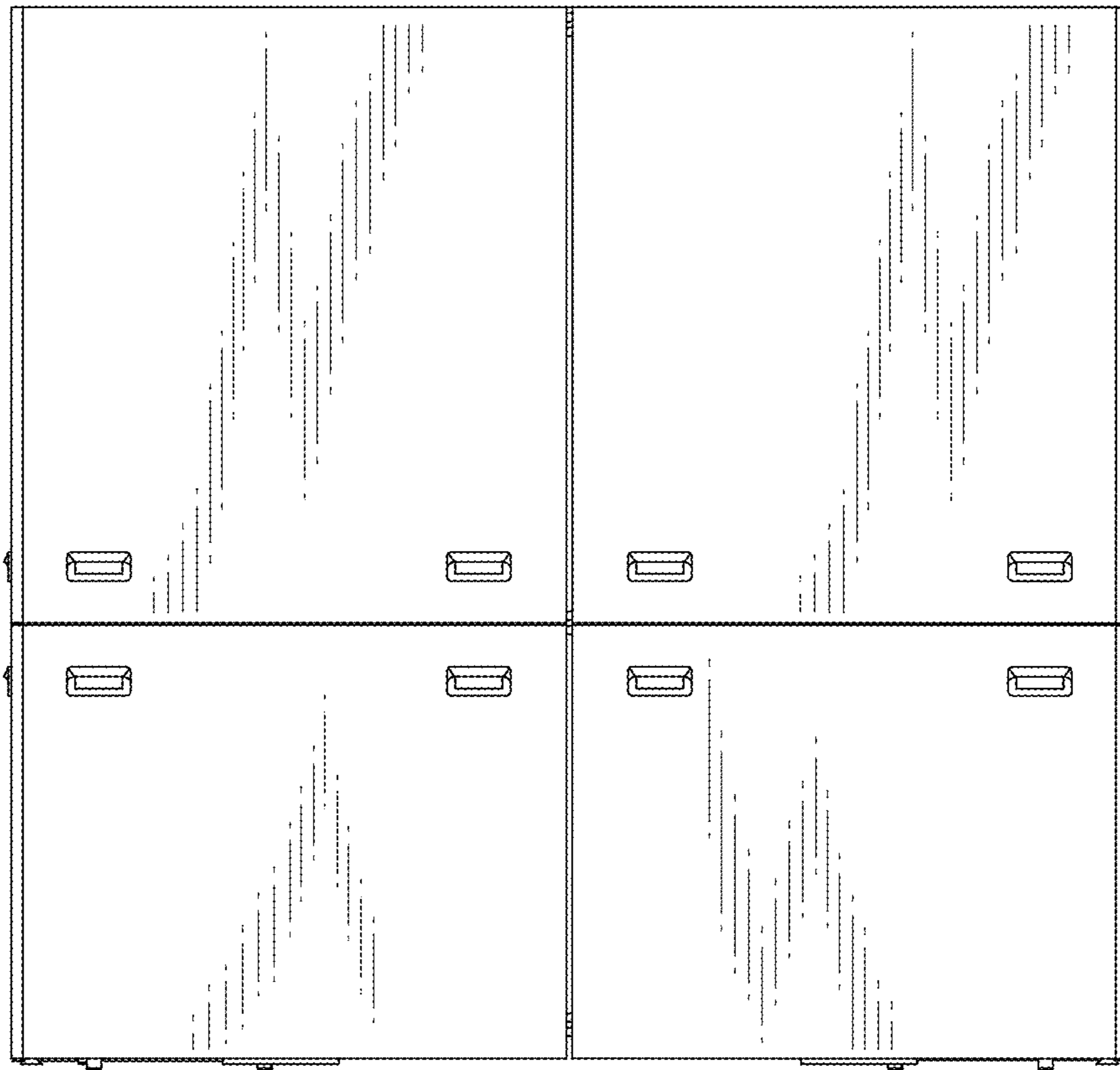


FIG. 6

