



US00D781355S

(12) **United States Design Patent**  
**Zhou**

(10) **Patent No.:** **US D781,355 S**  
(45) **Date of Patent:** **\*\* Mar. 14, 2017**

(54) **FREEZER**

(71) Applicant: **FOSHAN WELLWAY ELECTRIC APPLIANCE CO., LTD.**, Foshan, Guangdong (CN)

(72) Inventor: **Zhijian Zhou**, Guangdong (CN)

(73) Assignee: **FOSHAN WELLWAY ELECTRIC APPLIANCE CO., LTD.** (CN)

(\*\*) Term: **15 Years**

(21) Appl. No.: **29/568,175**

(22) Filed: **Jun. 15, 2016**

(51) **LOC (10) Cl.** ..... **15-07**

(52) **U.S. Cl.**  
USPC ..... **D15/81**

(58) **Field of Classification Search**  
USPC ..... D15/79-91  
CPC .... F25D 23/028; F25D 23/02; F25D 2400/36;  
F25D 27/00; F25D 11/02; F25D 2201/14;  
F25D 2323/021; F25D 2323/023; F25D  
23/025; F25D 23/065; F25D 2400/18;  
F25D 25/02; F25D 25/025; F25D 27/005;  
F25D 23/04; F25D 23/066; F25D 29/00;  
F25D 11/00; F25D 21/006; F25D 21/10;  
F25D 2331/803; F25D 2331/809; F25D  
23/00; F25D 23/021; F25D 23/062; F25D  
23/08; F25D 23/087; F25D 23/12; F25D  
2500/02; F25D 25/021; F25D 25/022;  
F25D 25/028

See application file for complete search history.

(56) **References Cited**

U.S. PATENT DOCUMENTS

D166,545 S *	4/1952	Loewy .....	D15/80
D526,338 S *	8/2006	McDougal .....	D15/80
D557,716 S *	12/2007	Okuda .....	D15/80
D567,828 S *	4/2008	Moran .....	D15/79
D594,483 S *	6/2009	Cefalu .....	D15/81
D653,682 S *	2/2012	Herning .....	D15/80
D774,568 S *	12/2016	Bonney .....	D15/81

\* cited by examiner

*Primary Examiner* — Ian Simmons

*Assistant Examiner* — Khawaja Anwar

(74) *Attorney, Agent, or Firm* — Stratum Law LLC

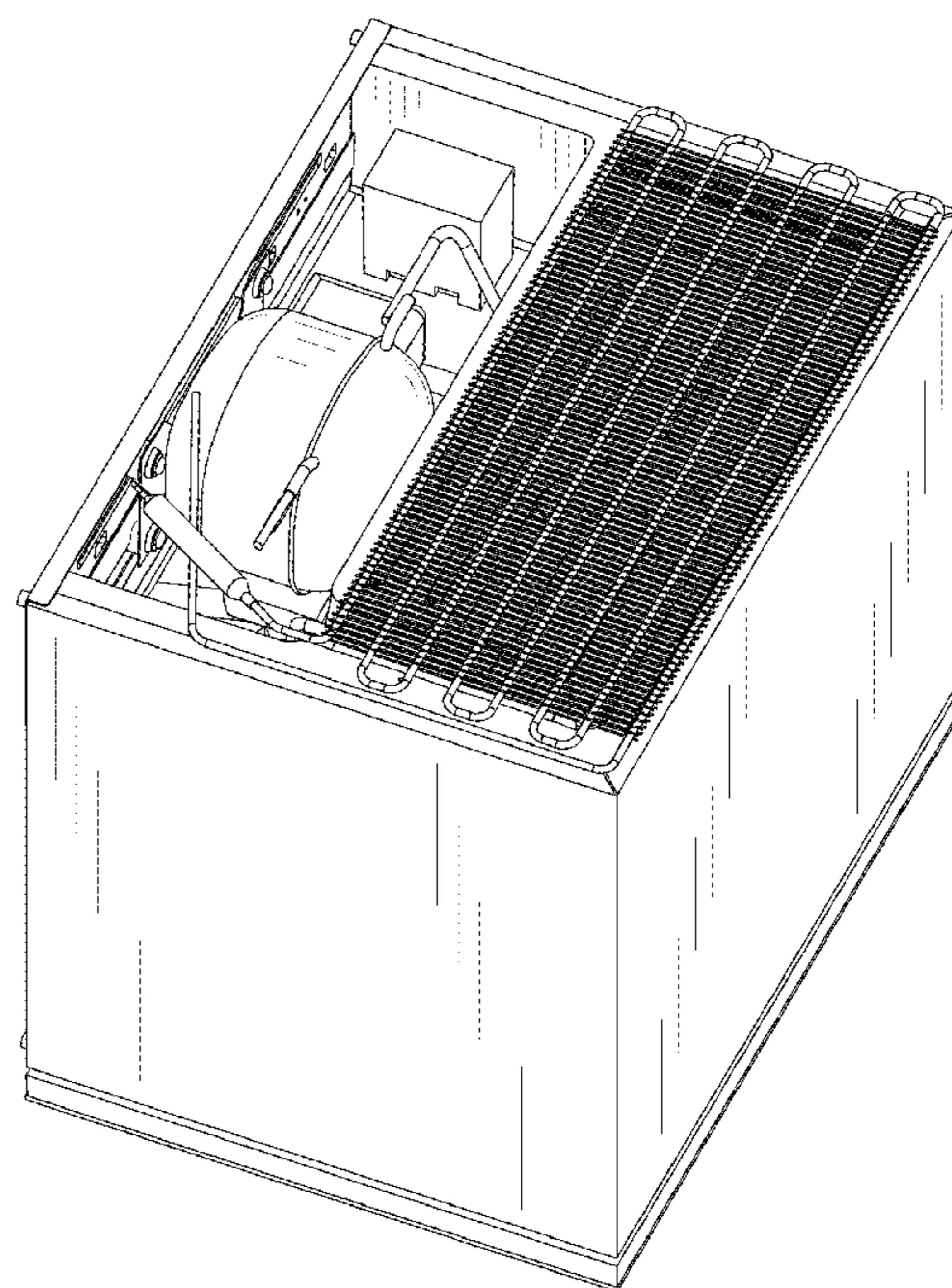
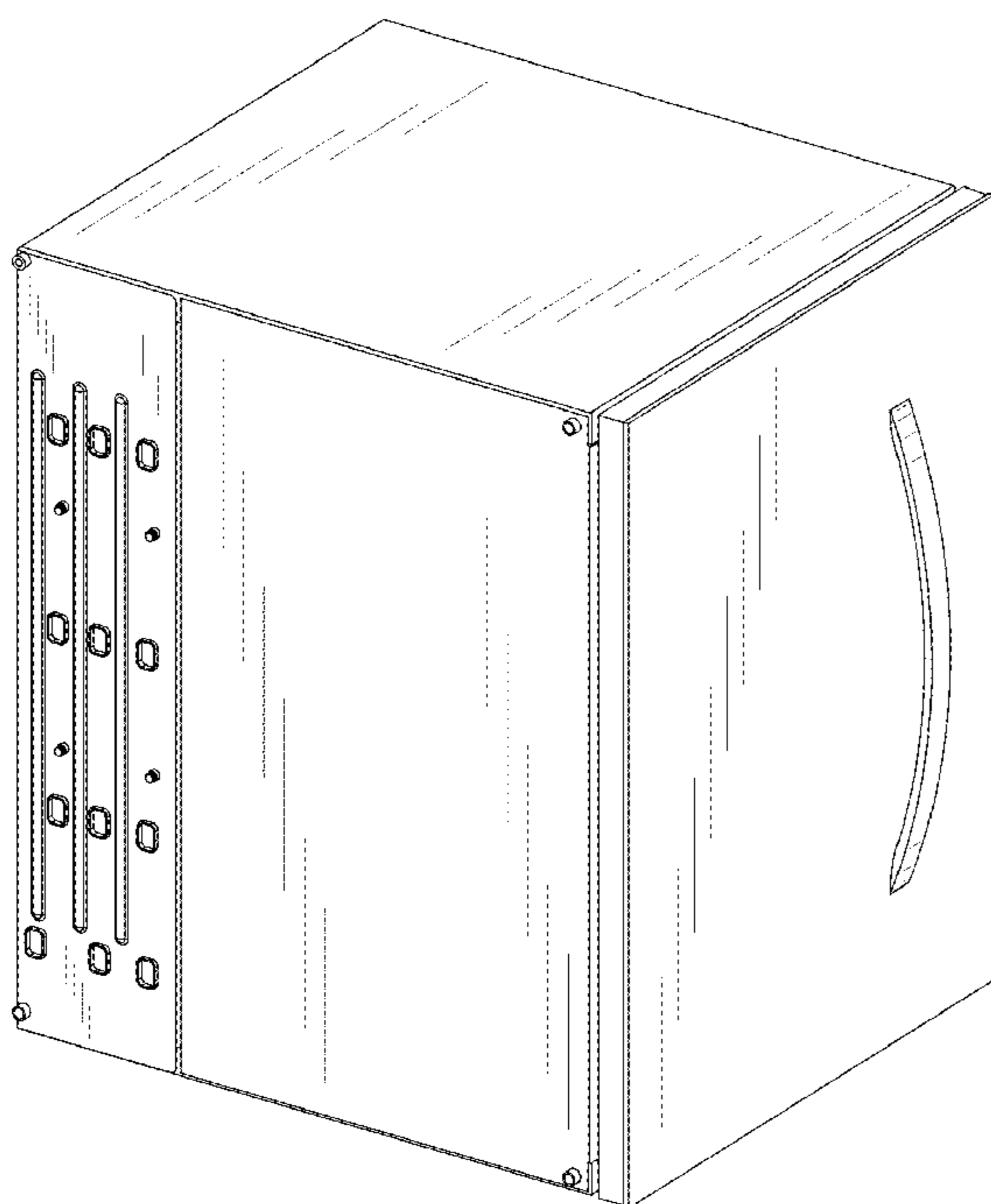
(57) **CLAIM**

The ornamental design for a freezer, as shown and described.

**DESCRIPTION**

FIG. 1 is a front elevation of a freezer showing our new design;  
FIG. 2 is a back elevation view thereof;  
FIG. 3 is a left elevation view thereof;  
FIG. 4 is a right elevation view thereof;  
FIG. 5 is a top view thereof;  
FIG. 6 is a bottom view thereof;  
FIG. 7 is a perspective view thereof;  
FIG. 8 is another perspective view thereof; and,  
FIG. 9 is an exploded view thereof.

**1 Claim, 9 Drawing Sheets**



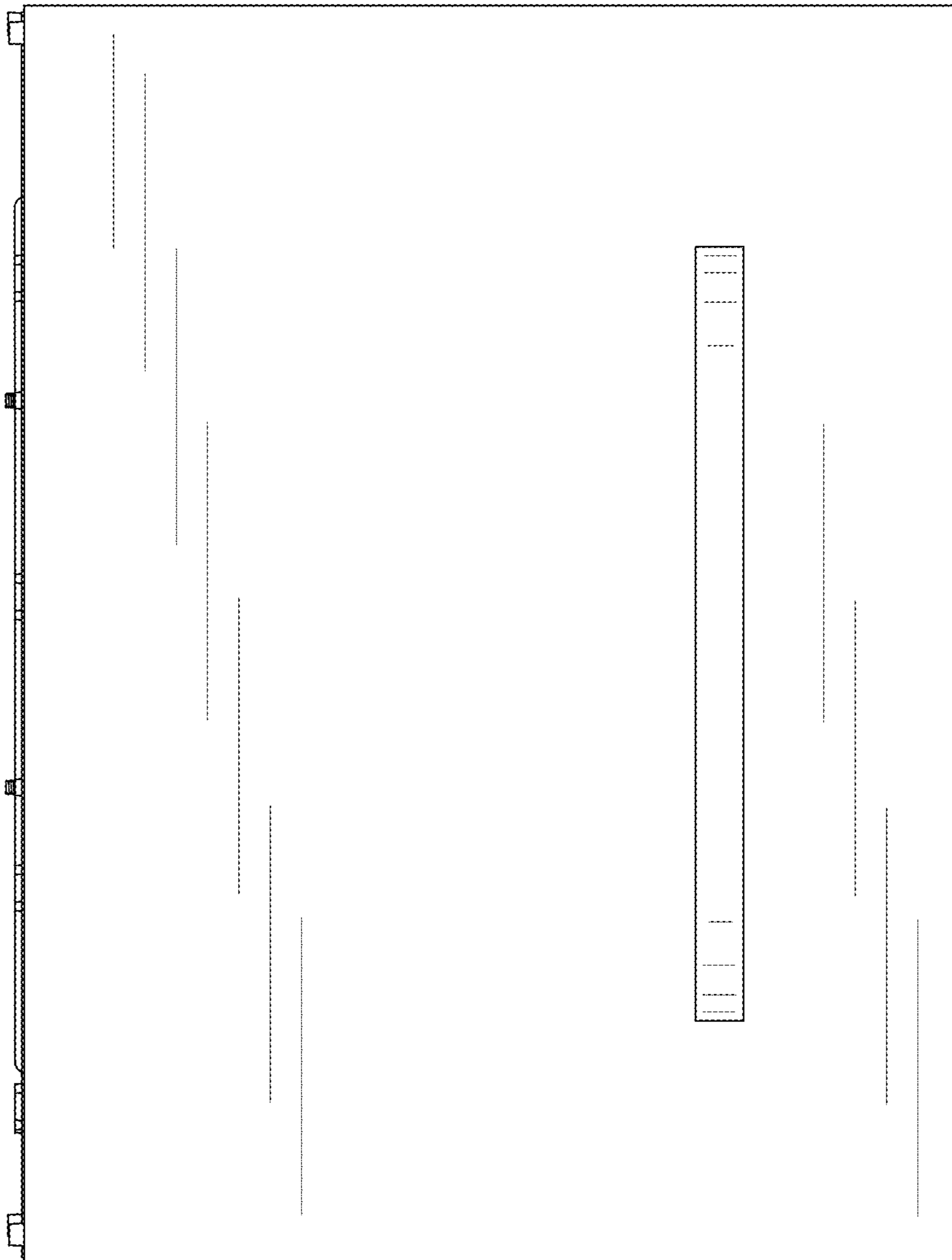


FIG. 1

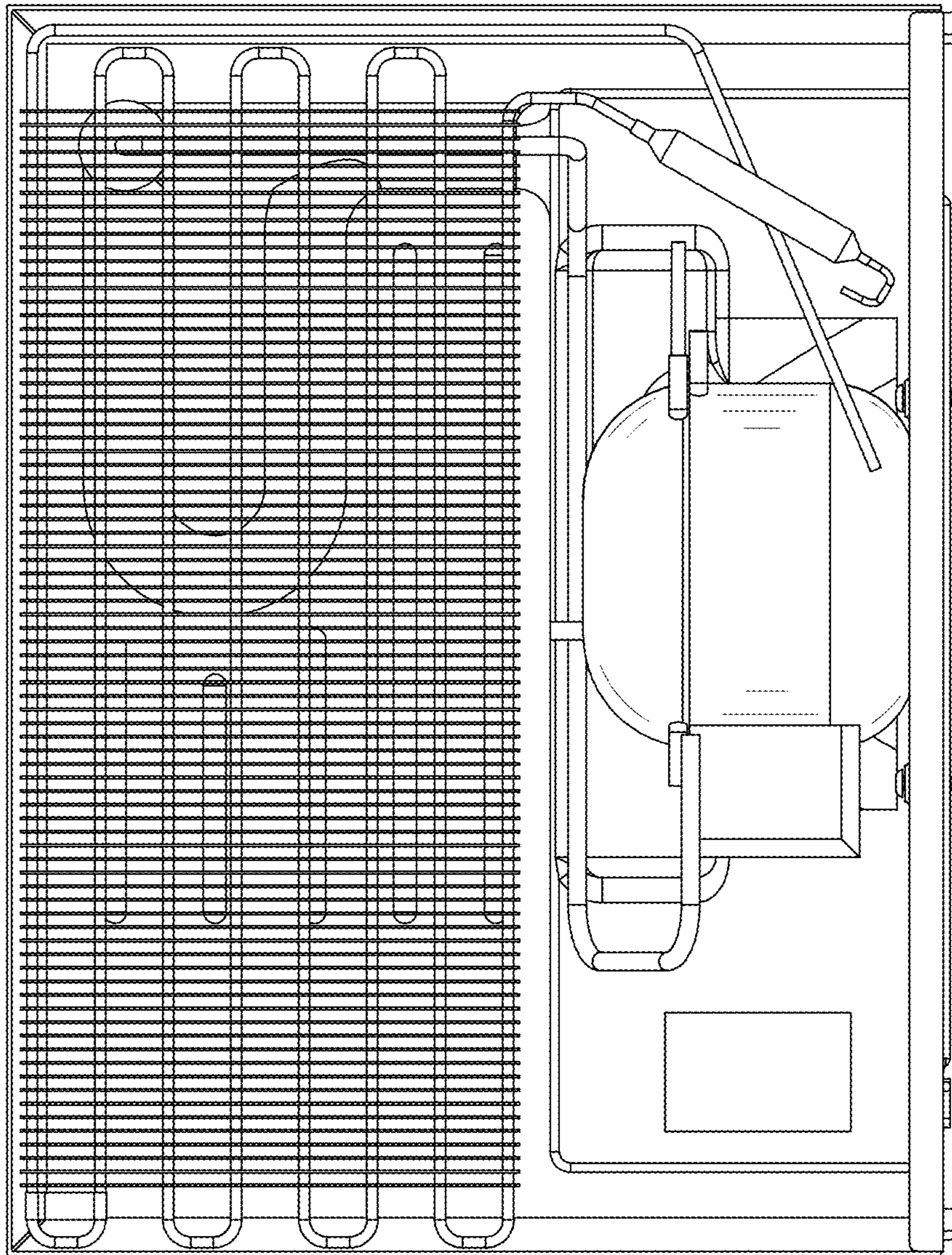


FIG.2



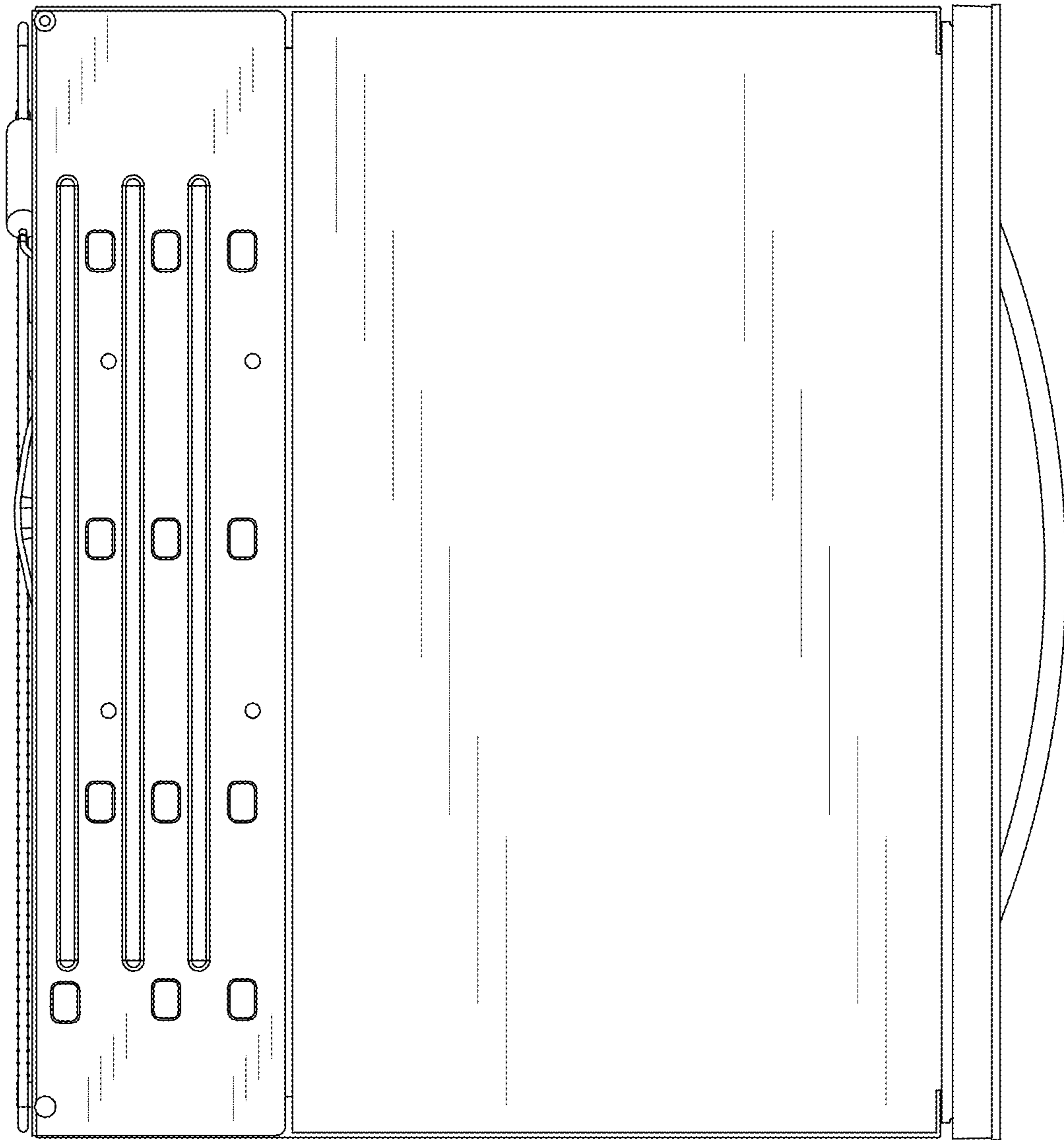


FIG.3

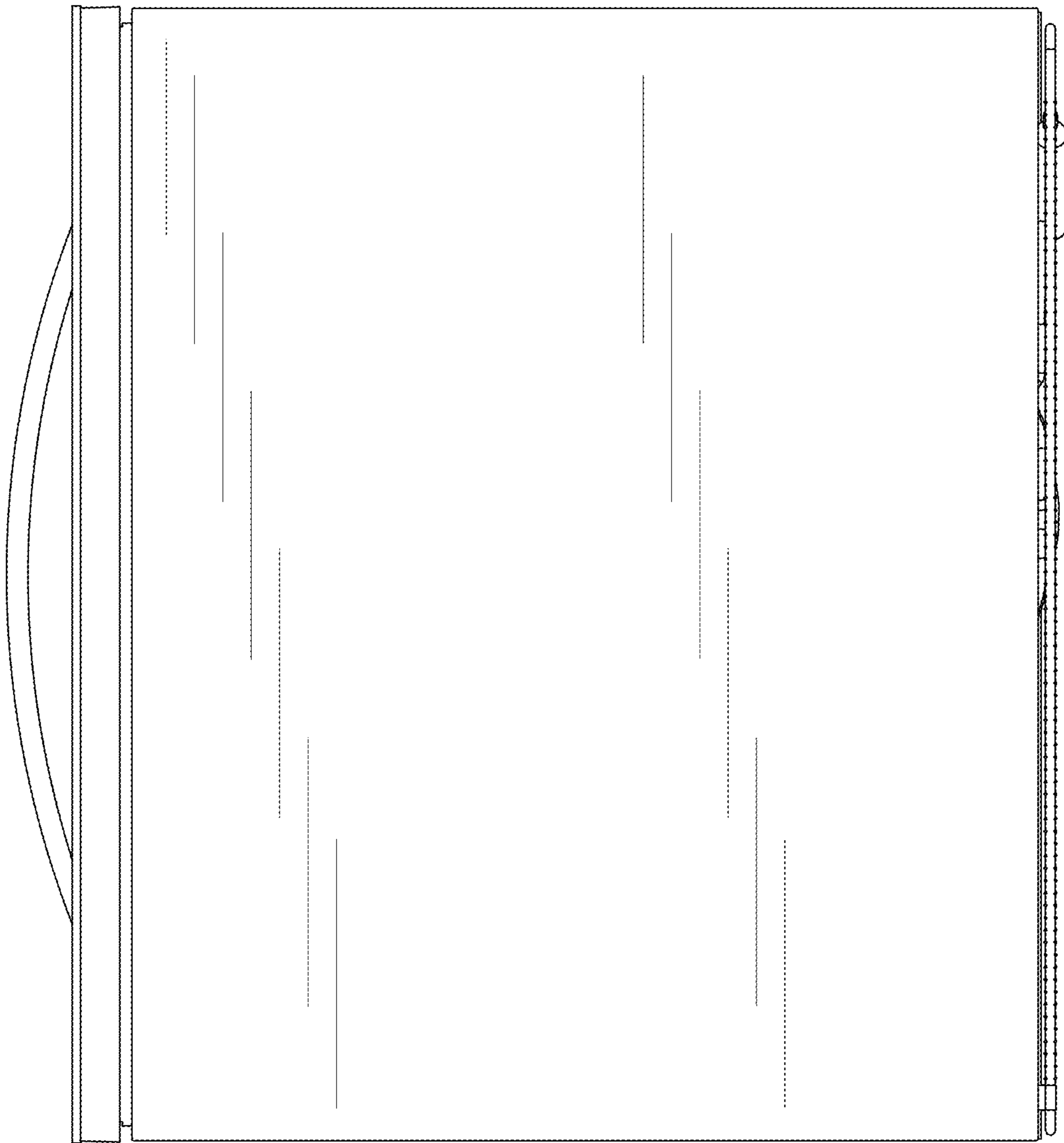


FIG.4

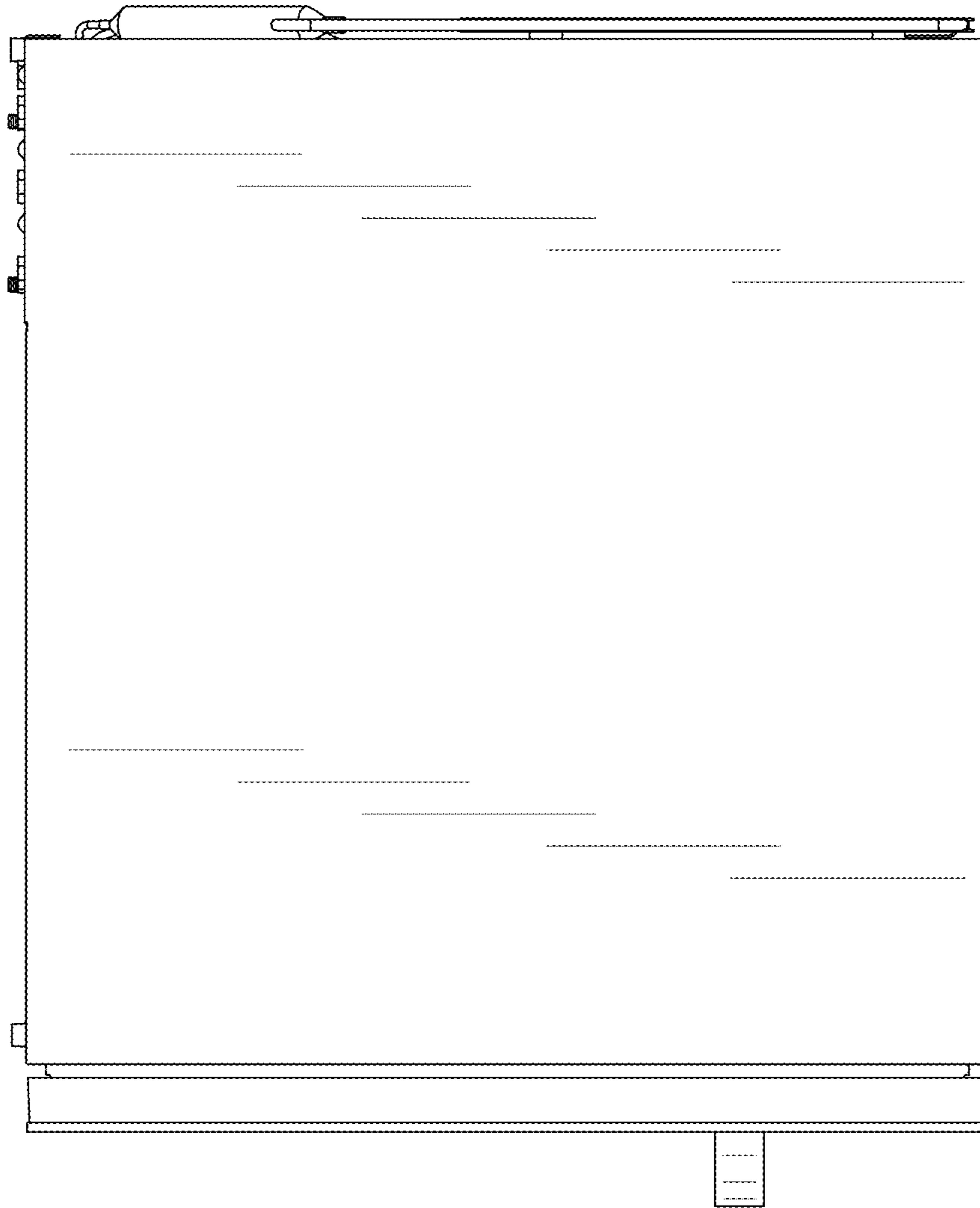


FIG.5

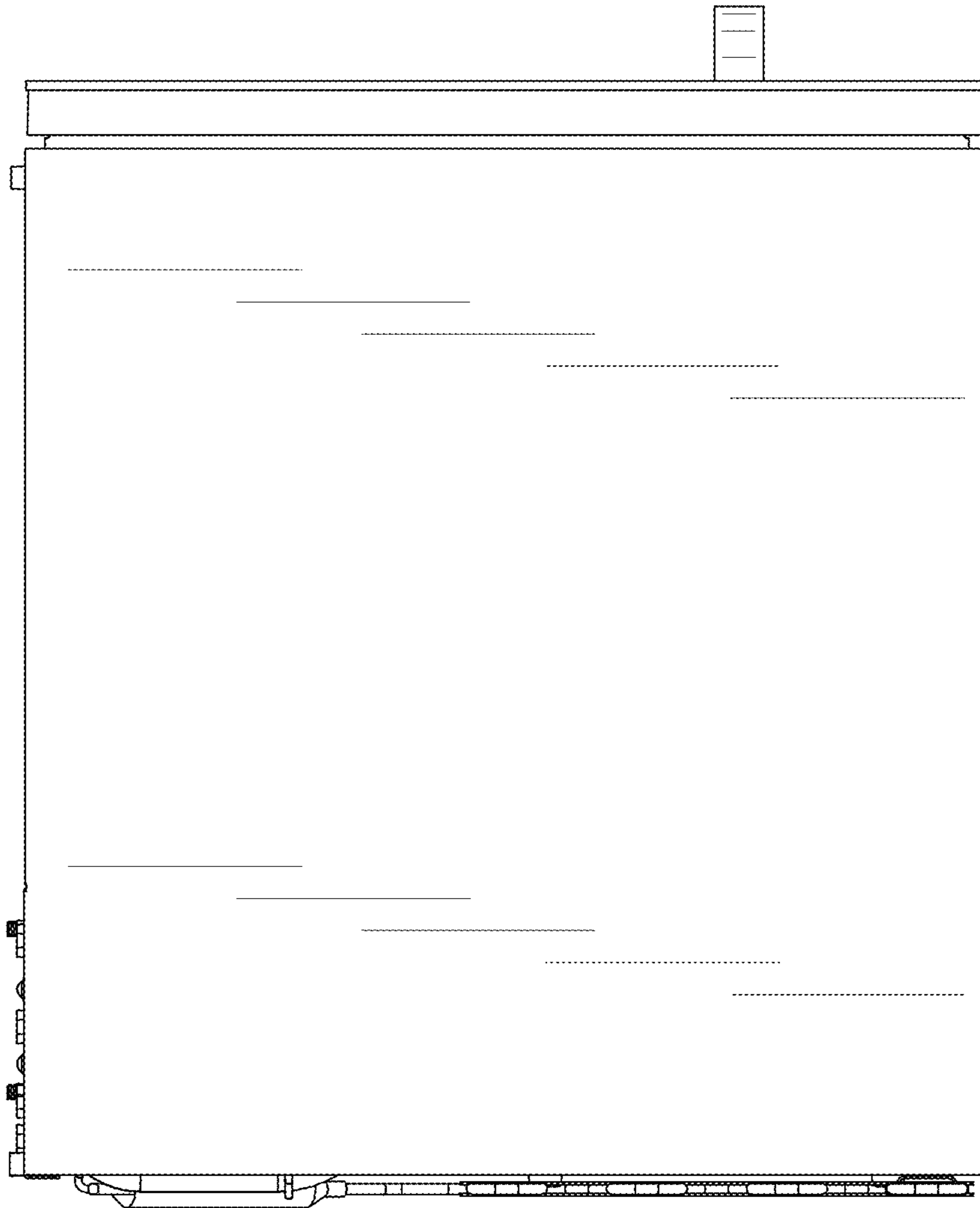


FIG.6

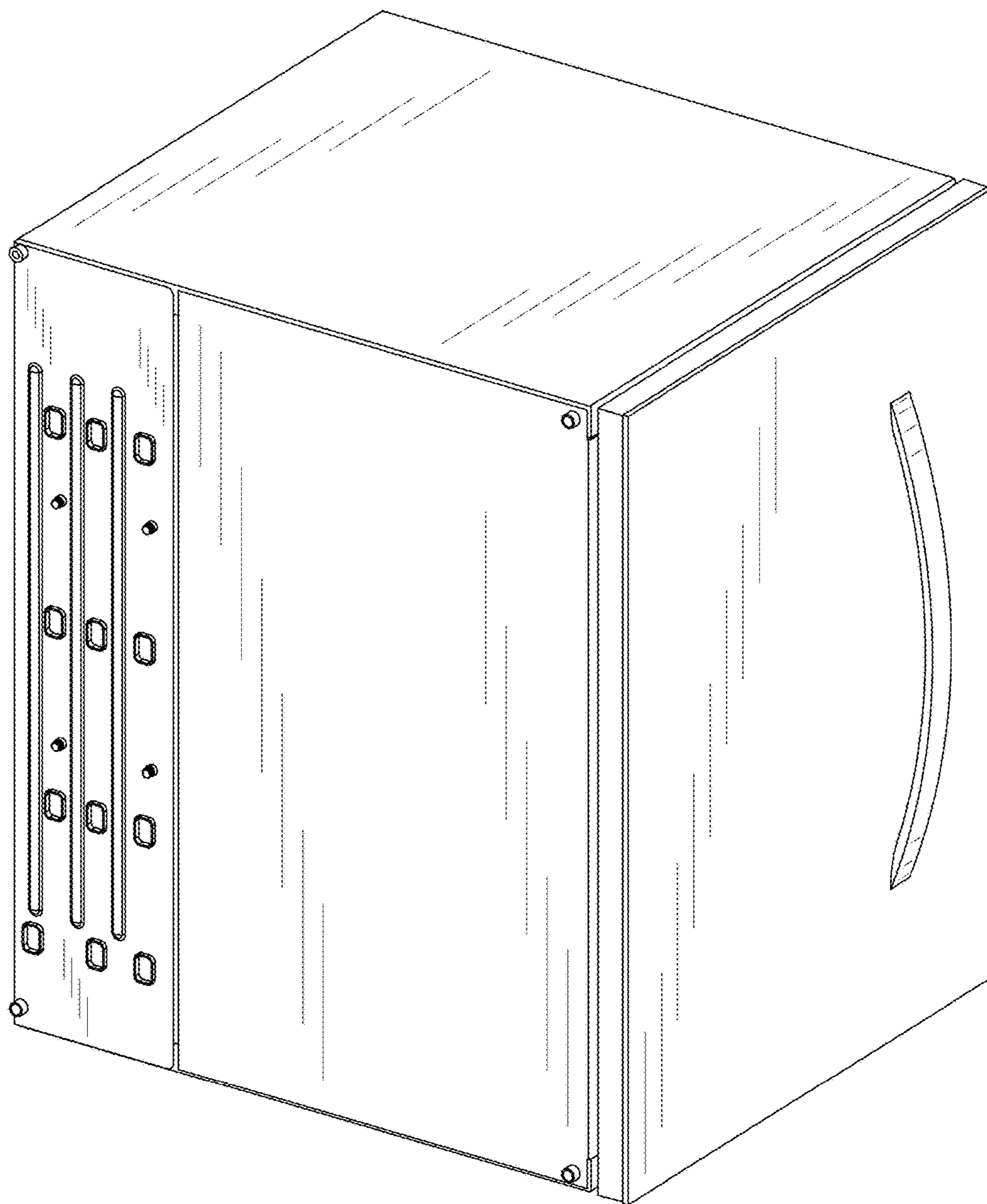


FIG.7



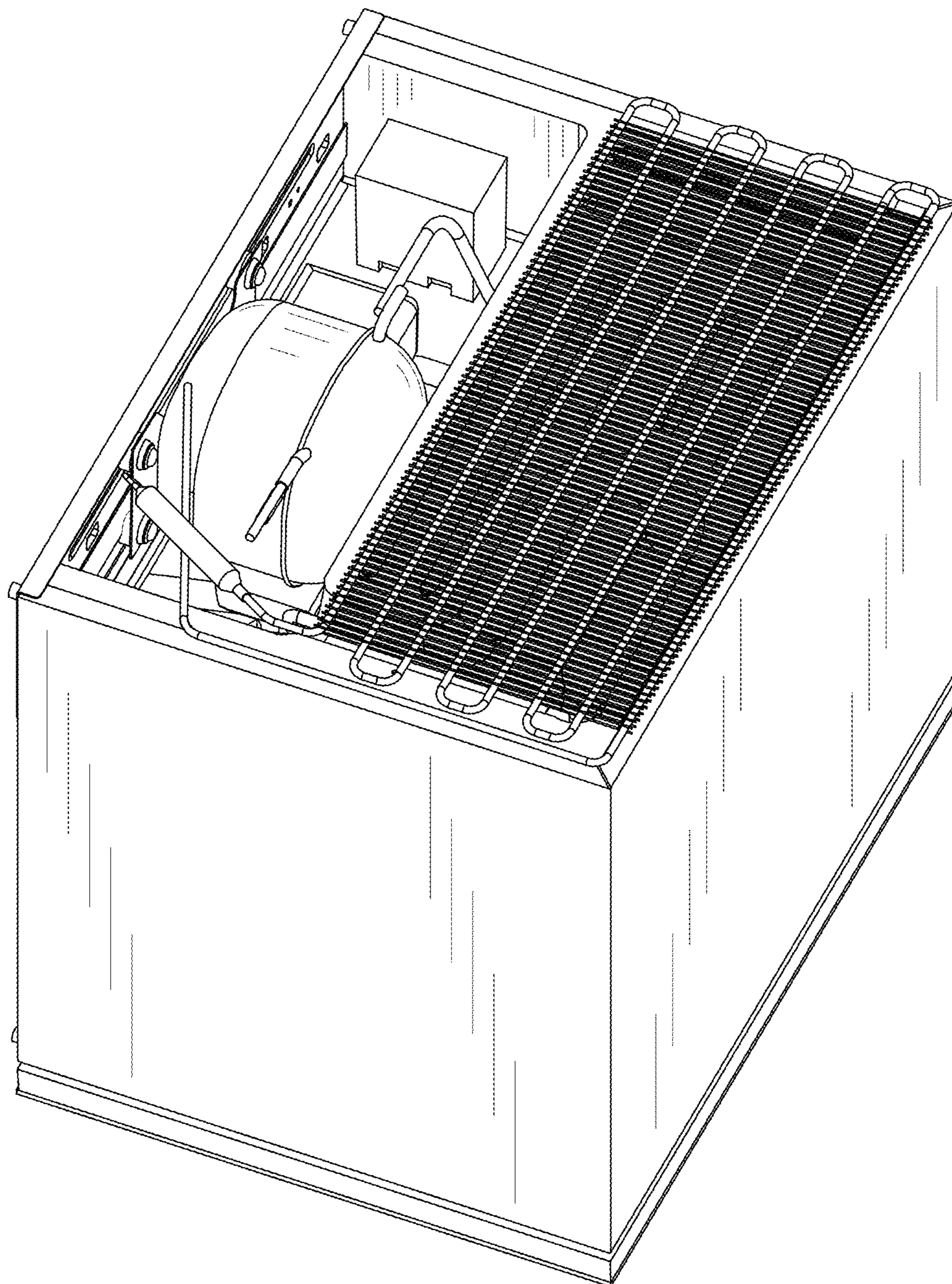


FIG.8

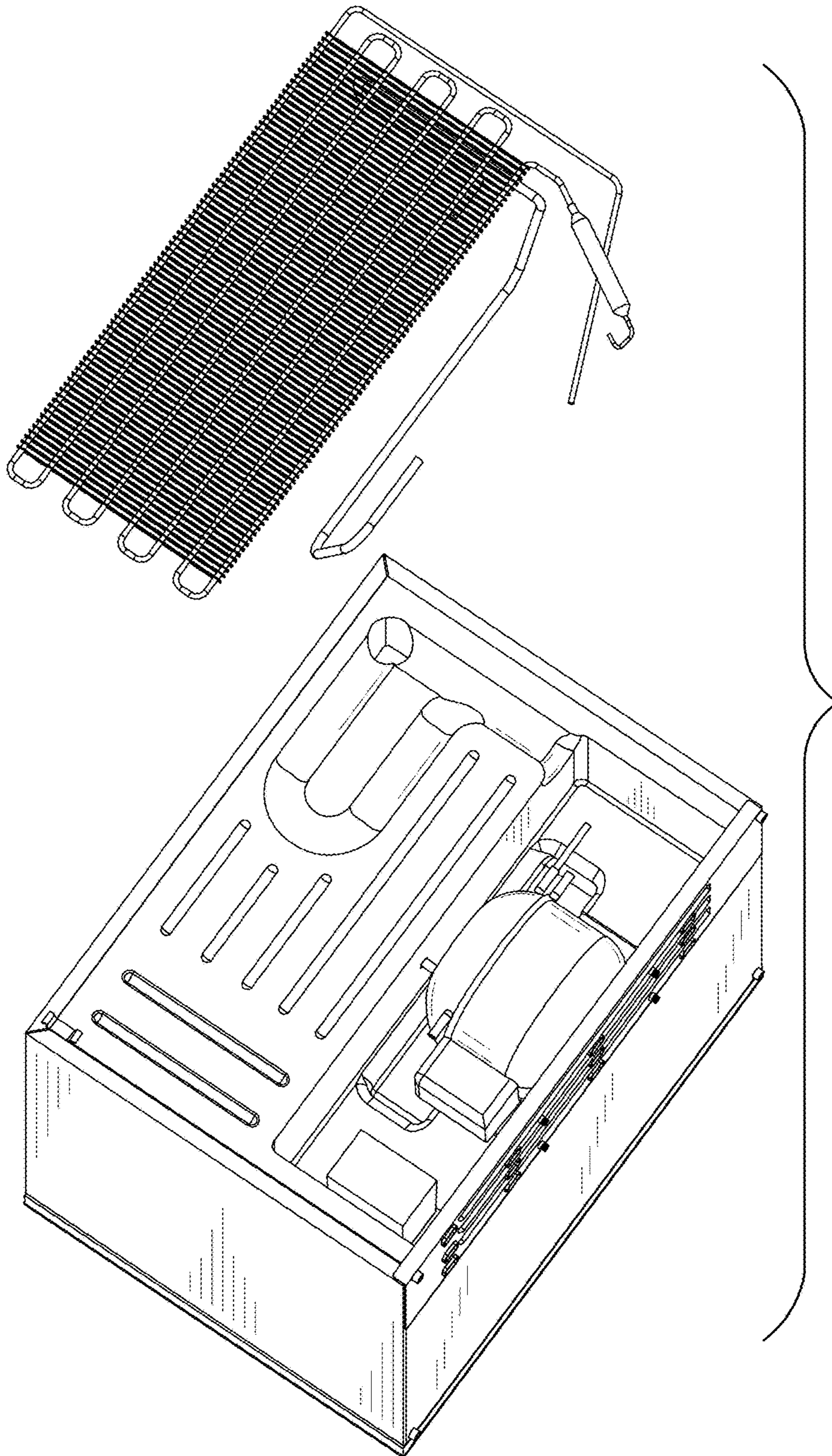


FIG.9