



US00D781352S

(12) **United States Design Patent**
Hunt

(10) **Patent No.:** **US D781,352 S**

(45) **Date of Patent:** **** Mar. 14, 2017**

(54) **WEARING EDGE ATTACHMENT SEGMENT**

(71) Applicant: **Brad Hunt**, Waterloo (CA)

(72) Inventor: **Brad Hunt**, Waterloo (CA)

(**) Term: **14 Years**

(21) Appl. No.: **29/510,878**

(22) Filed: **Dec. 4, 2014**

(51) **LOC (10) Cl.** **15-03**

(52) **U.S. Cl.**
USPC **D15/28**

(58) **Field of Classification Search**
USPC D15/28; 37/232, 266
CPC E01H 5/061; E01H 5/04
See application file for complete search history.

(56) **References Cited**

U.S. PATENT DOCUMENTS

1,599,454	A *	9/1926	Bishop	A01B 35/26 172/753
3,888,027	A *	6/1975	Toews	E02F 9/285 172/701.3
4,141,160	A *	2/1979	Olson	E02F 9/28 172/719
D251,431	S *	3/1979	Klett	D15/28
4,195,697	A *	4/1980	Griffin	A01B 35/26 172/730
D260,772	S *	9/1981	Johnson	D15/29
4,346,528	A *	8/1982	Shwayder	E01H 5/066 37/270
D267,646	S *	1/1983	McCarron	D15/28
4,669,205	A *	6/1987	Smathers	E01H 5/063 172/711
D291,445	S *	8/1987	Burenga	D15/28
D292,587	S *	11/1987	Johnson	D15/28
4,756,102	A *	7/1988	Chapman	E01H 1/04 172/719

(Continued)

Primary Examiner — Mark Goodwin

(74) *Attorney, Agent, or Firm* — Lorelei G. Graham

(57) **CLAIM**

The ornamental design for the wearing edge attachment segment, as shown and described.

DESCRIPTION

FIG. 1 is a perspective view of the wearing edge attachment segment.

FIG. 2 is a front elevation view of the wearing edge attachment segment.

FIG. 3 is a back elevation view of the wearing edge attachment segment.

FIG. 4 is a left side elevation view of the wearing edge attachment segment.

FIG. 5 is a right side elevation view of the wearing edge attachment segment.

FIG. 6 is a top view of the wearing edge attachment segment.

FIG. 7 is a bottom view of the wearing edge attachment segment.

In accordance with a second embodiment of the present design,

FIG. 8 is a perspective view of the wearing edge attachment segment.

FIG. 9 is a front elevation view of the wearing edge attachment segment.

FIG. 10 is a back elevation view of the wearing edge attachment segment.

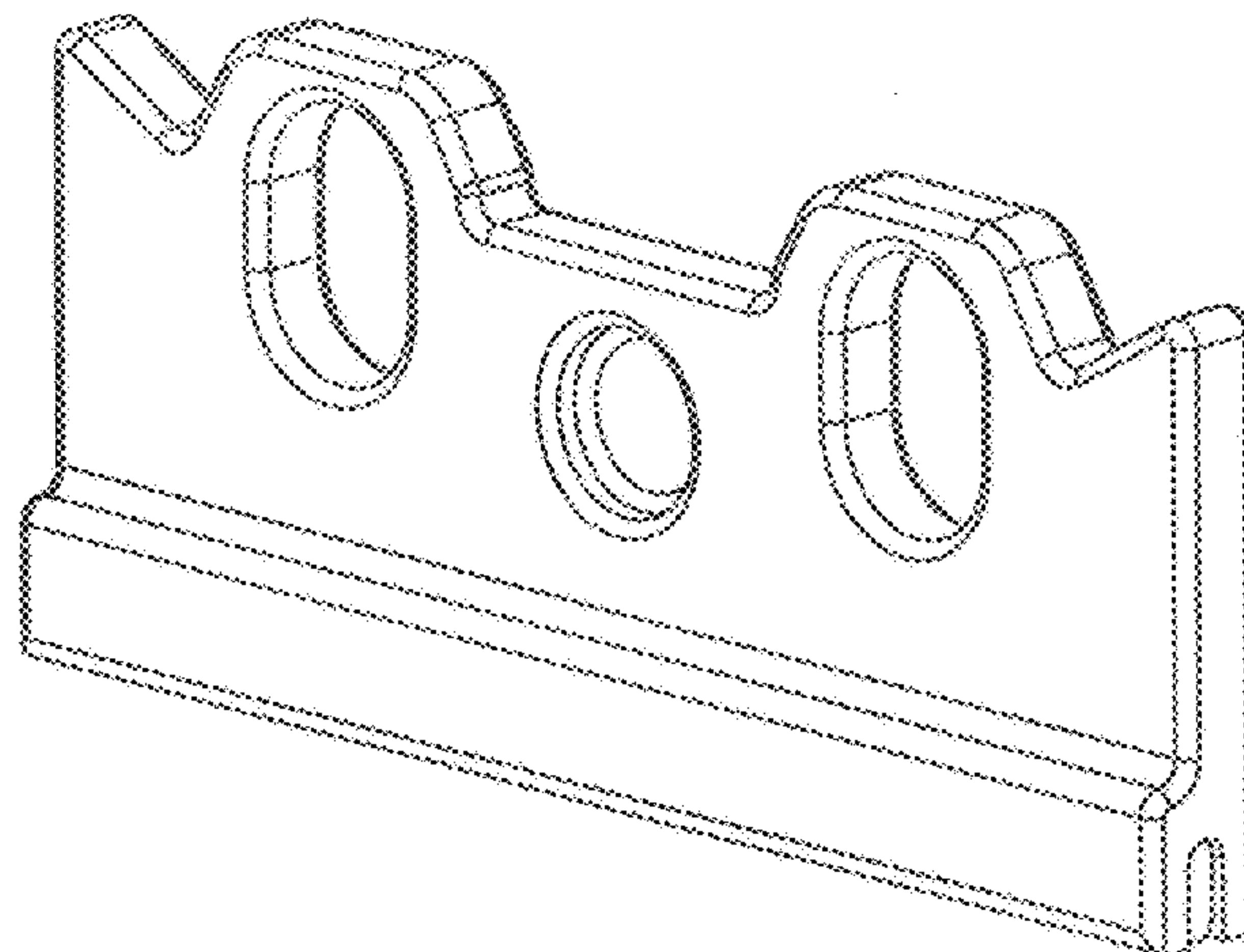
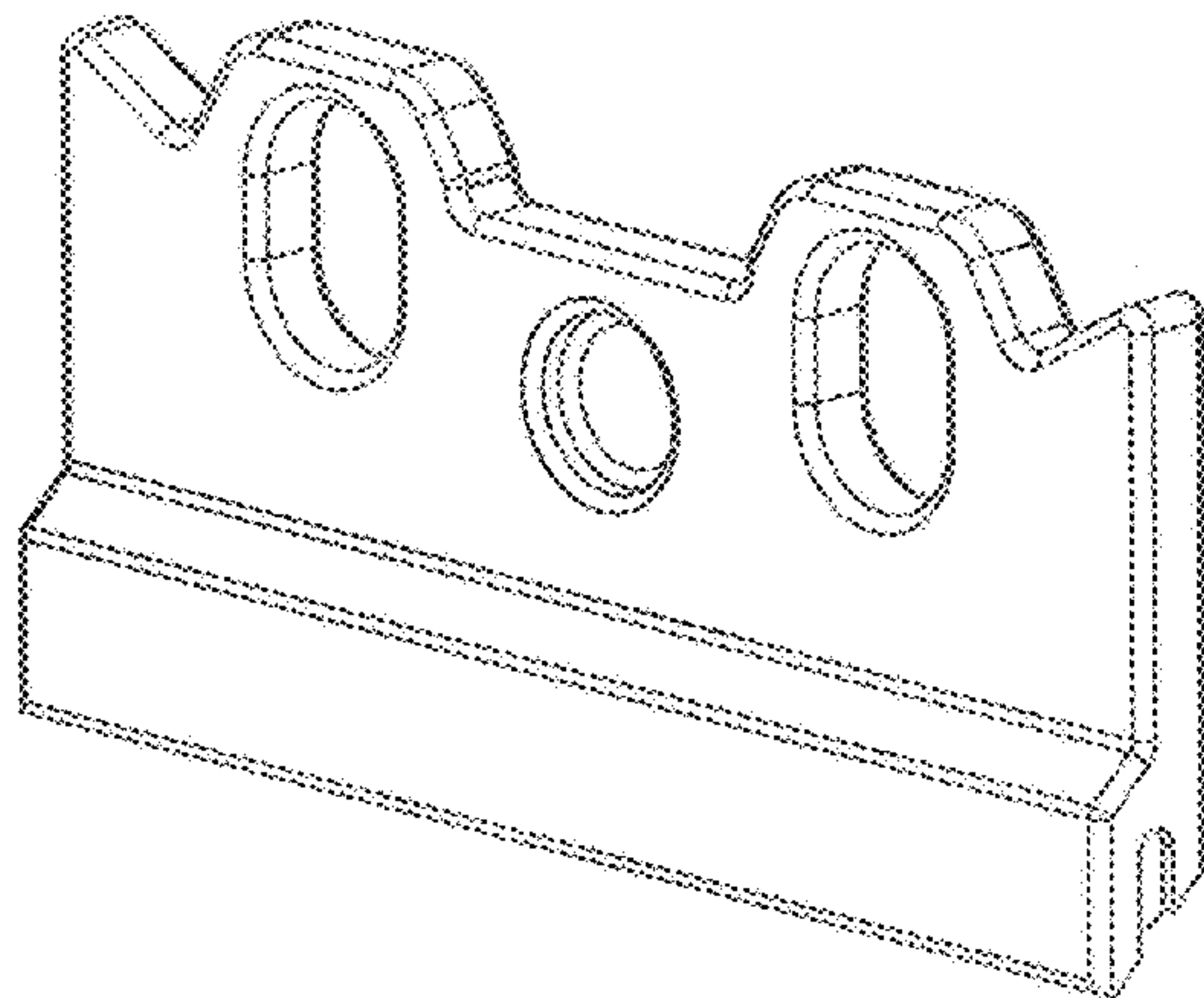
FIG. 11 is a left side elevation view of the wearing edge attachment segment.

FIG. 12 is a right side elevation view of the wearing edge attachment segment.

FIG. 13 is a bottom view of the wearing edge attachment segment; and,

FIG. 14 is a top view of the wearing edge attachment segment.

1 Claim, 8 Drawing Sheets



(56)

References Cited

U.S. PATENT DOCUMENTS

5,746,017 A * 5/1998 Marvik E01H 5/061
 37/233
 5,813,474 A * 9/1998 Manway A01B 15/06
 172/701.3
 7,198,687 B2 * 4/2007 Hill, III E02F 3/8157
 156/130.5
 D555,175 S * 11/2007 Shapiro D15/28
 7,631,441 B2 * 12/2009 Hunt E01H 5/061
 37/232
 7,874,085 B1 * 1/2011 Winter E01H 5/061
 172/701.3
 D669,505 S * 10/2012 Buhr D15/140
 D680,560 S * 4/2013 Fundakowski D15/28
 D681,069 S * 4/2013 Fundakowski D15/28
 D700,632 S * 3/2014 Luyendijk D15/28
 8,984,778 B2 * 3/2015 Fox E01H 5/062
 37/266
 8,985,934 B1 * 3/2015 Jennison E02F 3/962
 37/403

D726,775 S * 4/2015 Ley D15/28
 D726,776 S * 4/2015 Ley D15/28
 D726,777 S * 4/2015 Ley D15/28
 D741,375 S * 10/2015 Hooijmans D15/28
 D746,340 S * 12/2015 Flahive D15/28
 D746,878 S * 1/2016 Flahive D15/28
 9,290,898 B2 * 3/2016 Abramczyk E01H 5/062
 2006/0070264 A1 * 4/2006 Lachance E01H 5/062
 37/232
 2012/0260537 A1 * 10/2012 Winter E01H 5/061
 37/270
 2014/0373398 A1 * 12/2014 Winter E01H 5/061
 37/266
 2015/0040441 A1 * 2/2015 Nammensma E01H 5/065
 37/268
 2015/0315757 A1 * 11/2015 Kueper E01H 5/066
 37/266
 2016/0069032 A1 * 3/2016 Winter E01H 5/061
 37/270

* cited by examiner

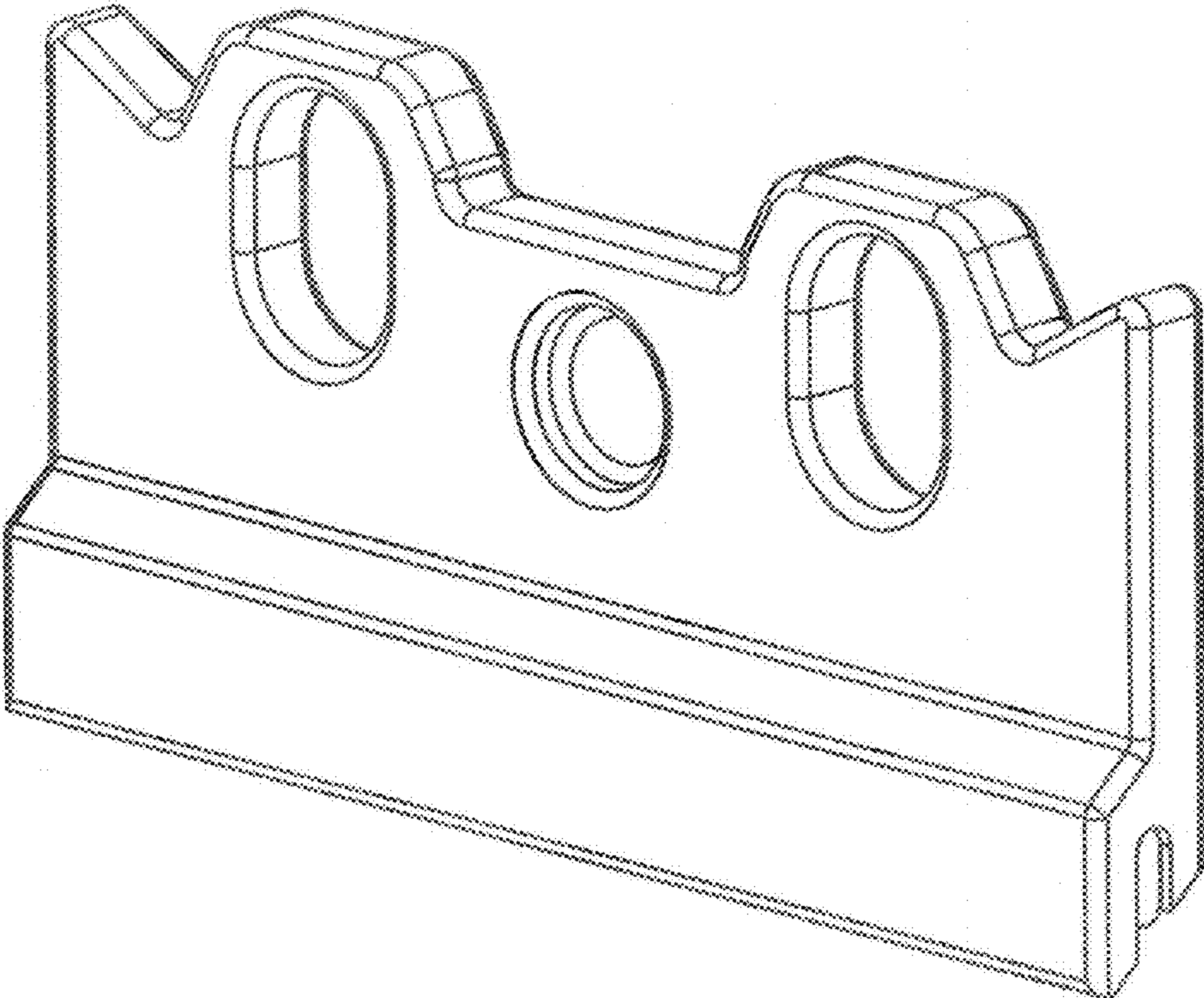


FIGURE 1

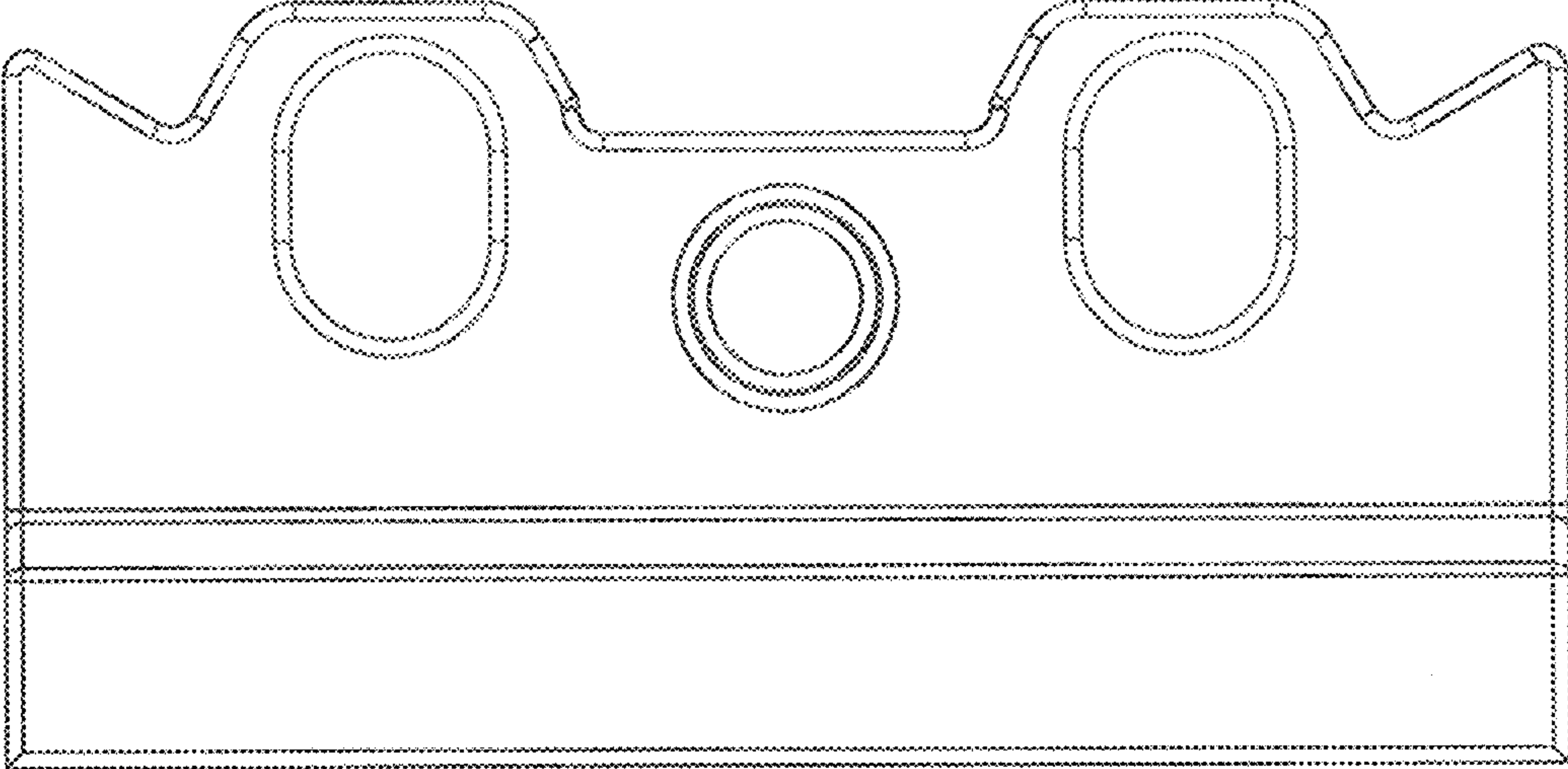


FIGURE 2

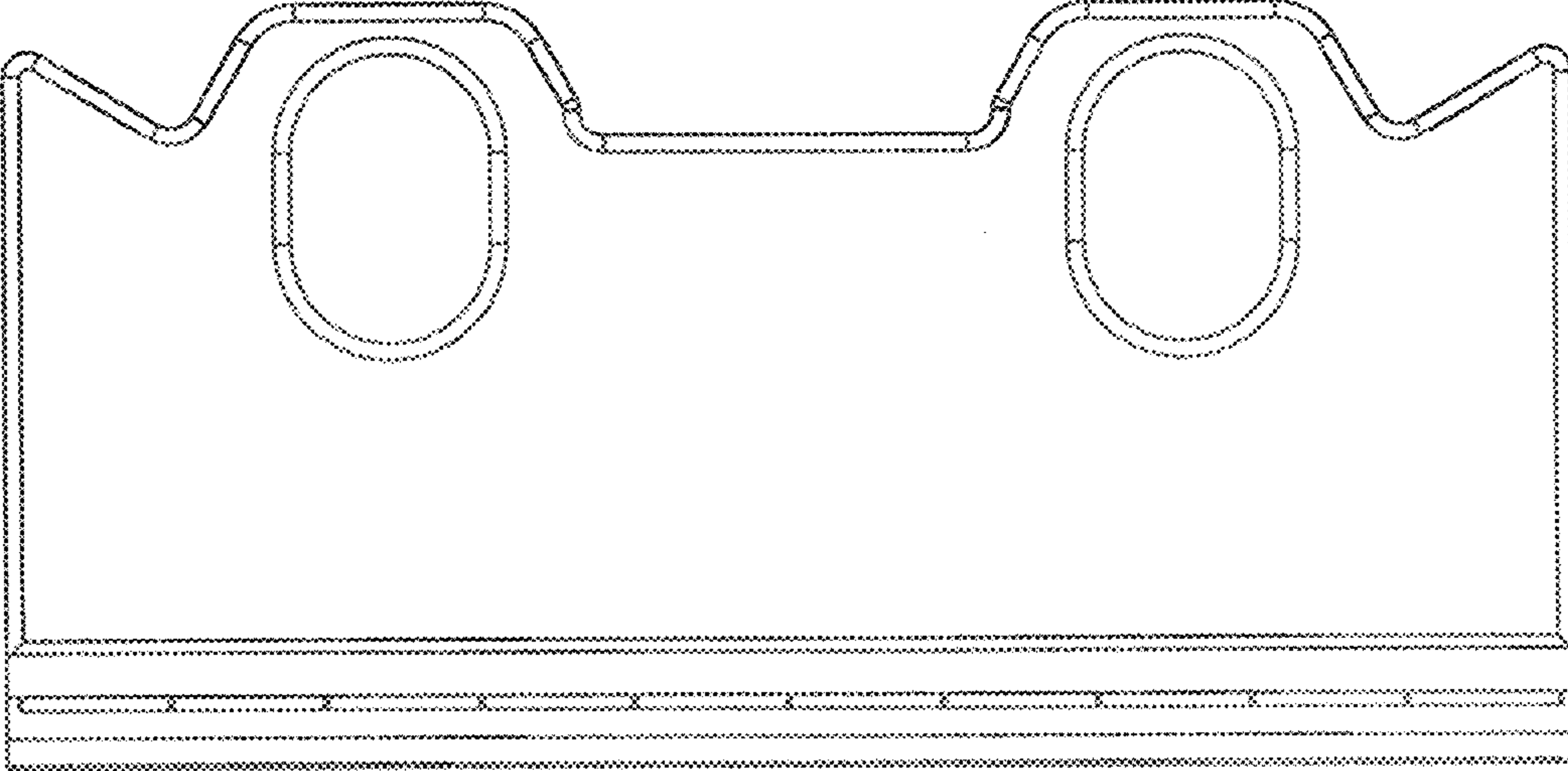


FIGURE 3

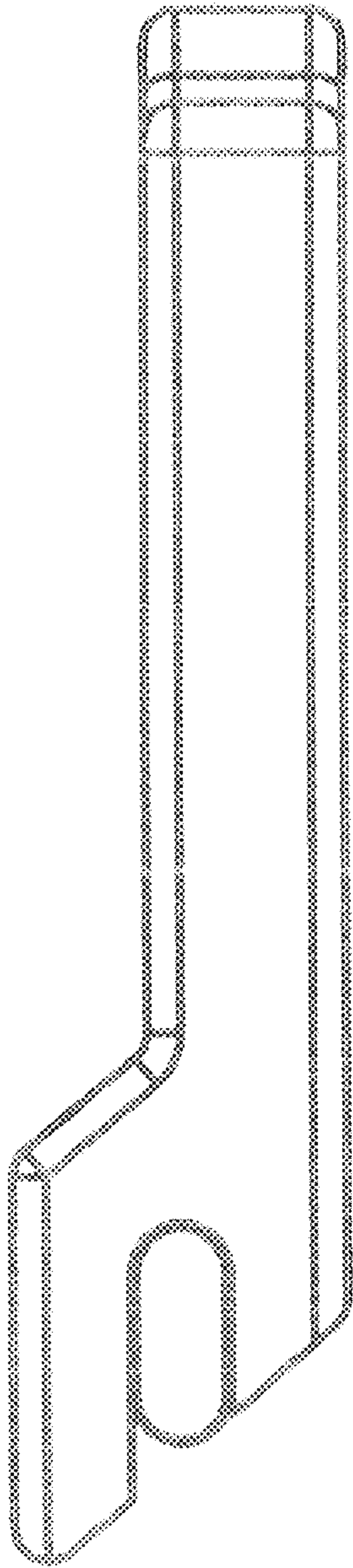


FIGURE 4

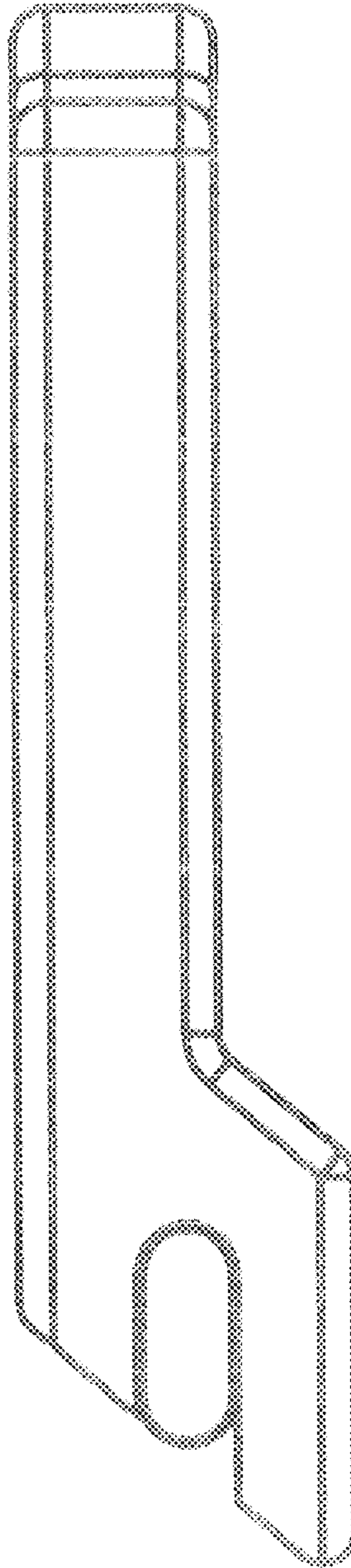


FIGURE 5

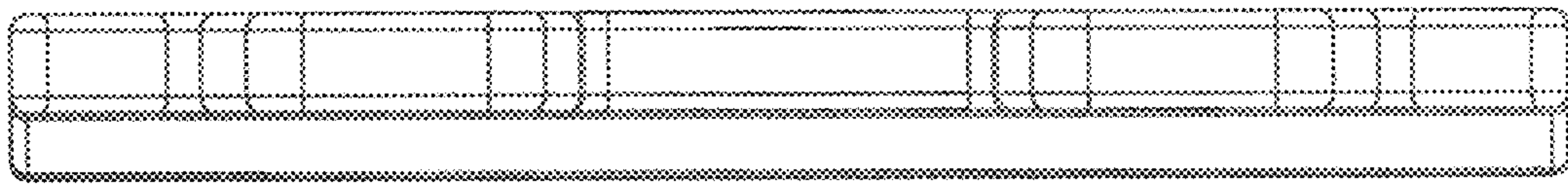


FIGURE 6

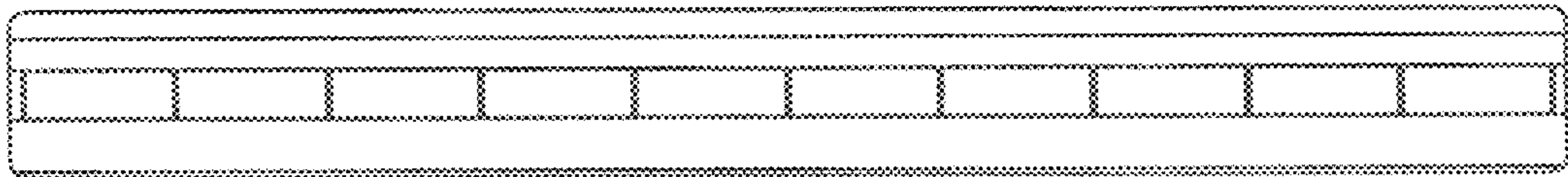


FIGURE 7

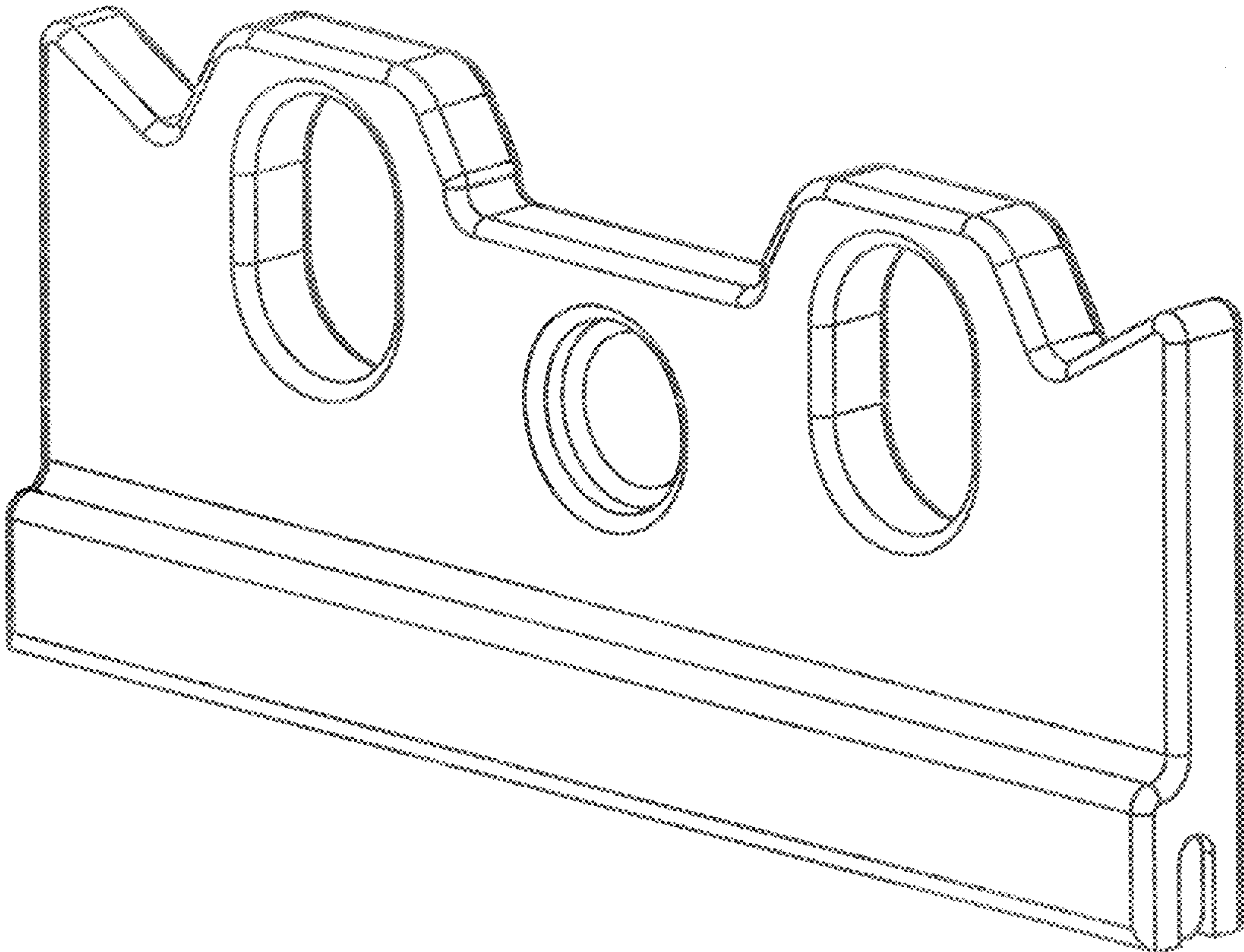


FIGURE 8

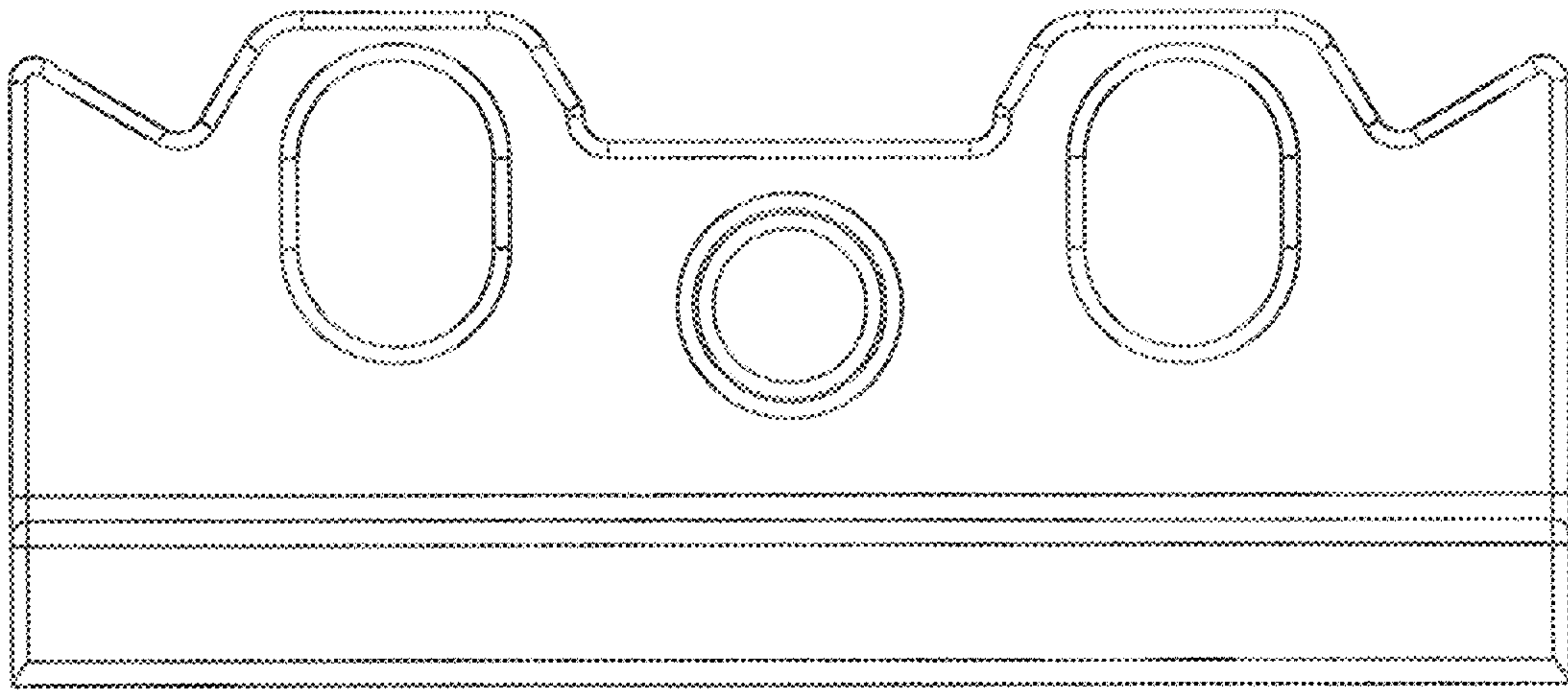


FIGURE 9

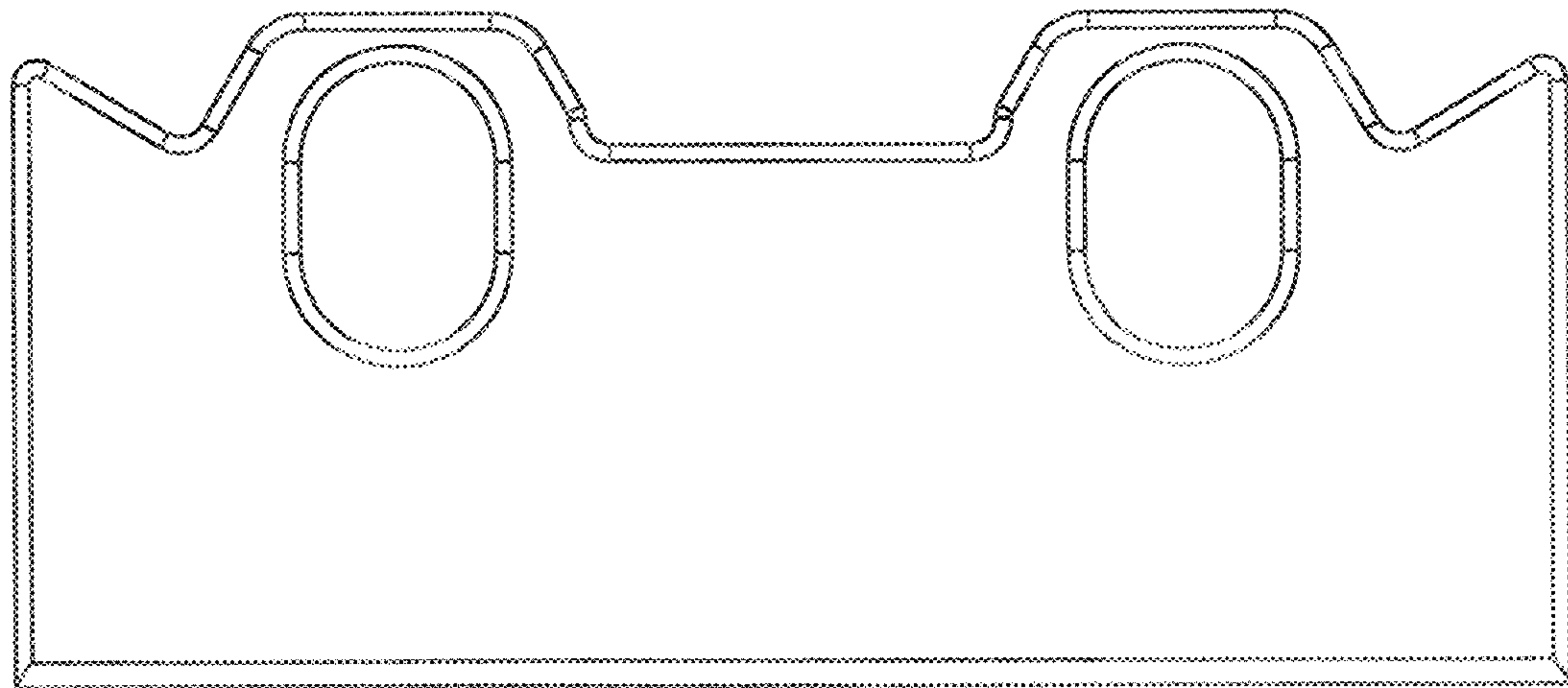


FIGURE 10

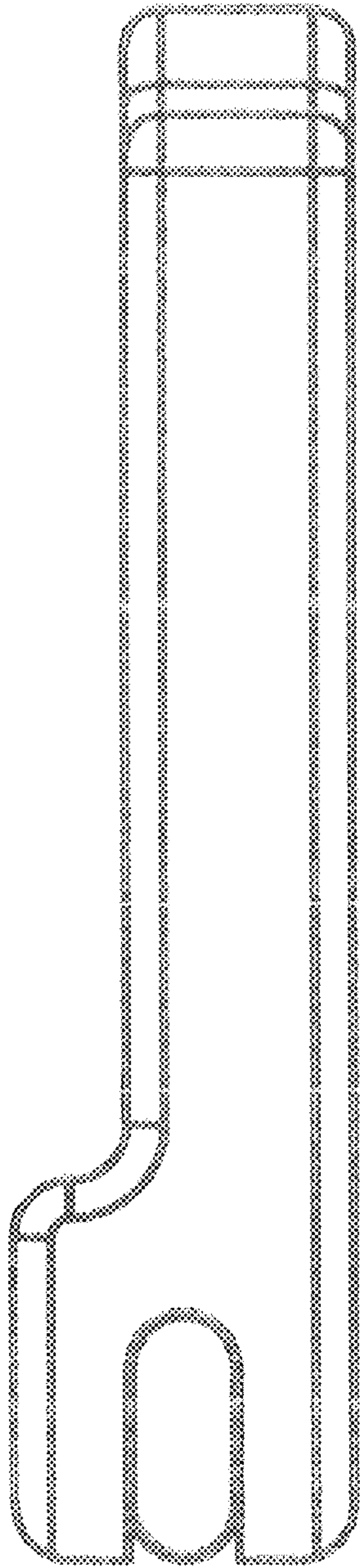


FIGURE 11

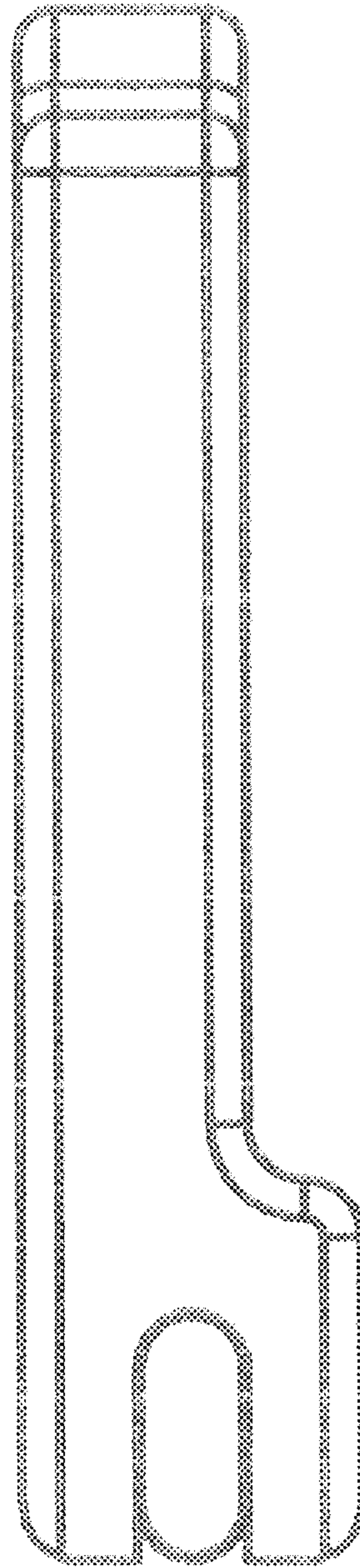


FIGURE 12



FIGURE 13

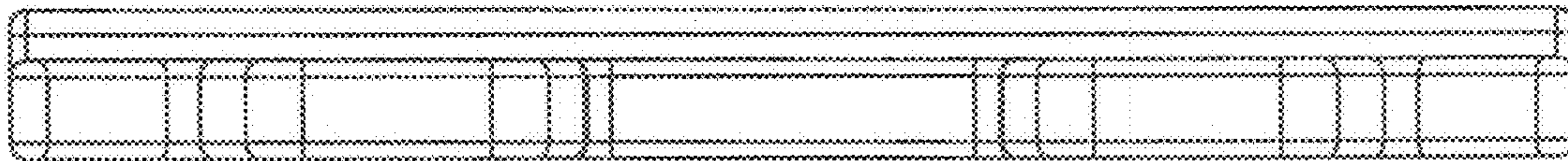


FIGURE 14